



US00D573321S

(12) **United States Design Patent**
Cowdery

(10) **Patent No.:** **US D573,321 S**
(45) **Date of Patent:** **** Jul. 15, 2008**

(54) **APPLICATOR**

(76) Inventor: **Dean J. Cowdery**, 8318 Pillsbury Ave.
South, Bloomington, MN (US) 55420

(**) Term: **14 Years**

(21) Appl. No.: **29/236,582**

(22) Filed: **Aug. 19, 2005**

Related U.S. Application Data

(63) Continuation-in-part of application No. 29/179,519,
filed on Apr. 11, 2003, now Pat. No. Des. 516,262.

(51) **LOC (8) Cl.** **04-01**

(52) **U.S. Cl.** **D32/50**

(58) **Field of Classification Search** D4/122,
D4/123, 128, 137; D32/40, 50, 51; 15/209.1,
15/210.1, 220.1, 223, 226, 228, 230, 230.11,
15/230.12, 230.14, 235; 492/28, 29
See application file for complete search history.

(56) **References Cited**

U.S. PATENT DOCUMENTS

2,662,269 A 12/1953 Nash
2,756,449 A 7/1956 Dewes

4,152,807 A 5/1979 Smahlik
5,492,425 A 2/1996 Carter et al.
6,148,469 A 11/2000 Irvén

Primary Examiner—Cathron Brooks
Assistant Examiner—Lavone D. Tabor

(57) **CLAIM**

The ornamental design for an applicator, as shown and described.

DESCRIPTION

FIG. 1 is a perspective view of the applicator of my new design;

FIG. 2 is a top plan view thereof, shown broken away for ease of illustration;

FIG. 3 is a foreshortened side view of FIG. 2, the opposite side view being a mirror image;

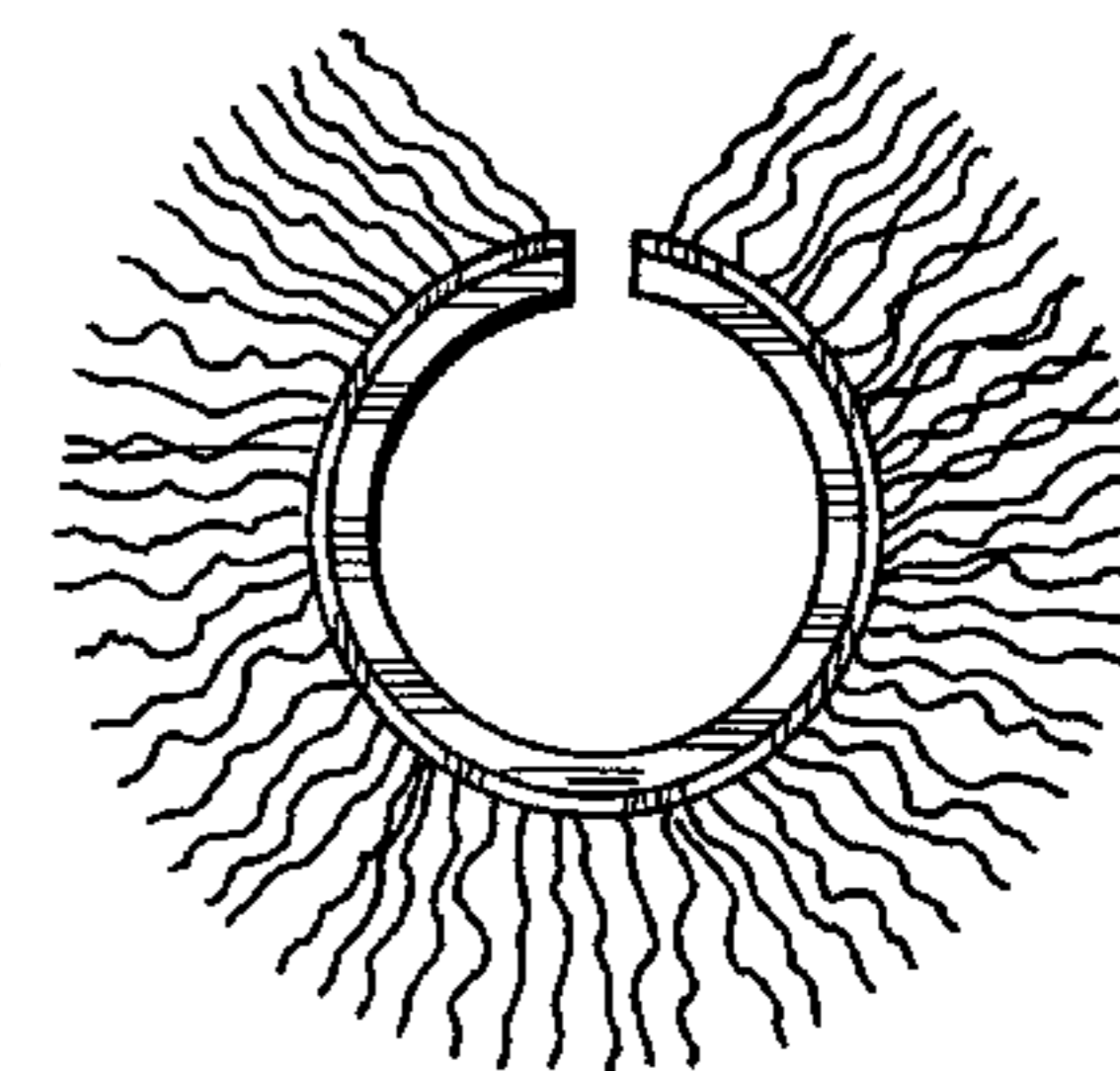
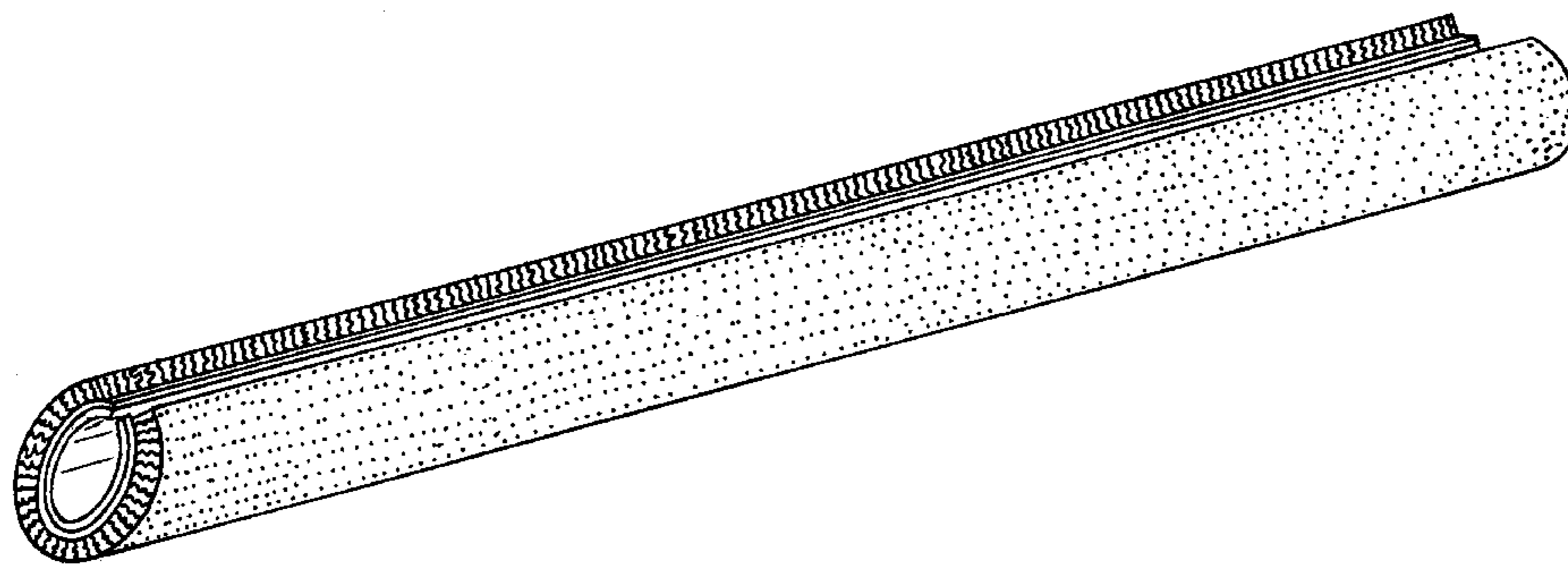
FIG. 4 is a foreshortened bottom plan view of FIG. 2;

FIG. 5 is an enlarged and elevational view of FIG. 1, the opposite end being a mirror image thereof; and,

FIG. 6 is an enlarged sectional view taken along line 6—6 of FIG. 2.

The irregular fibers are partially shown for ease of illustration.

1 Claim, 2 Drawing Sheets



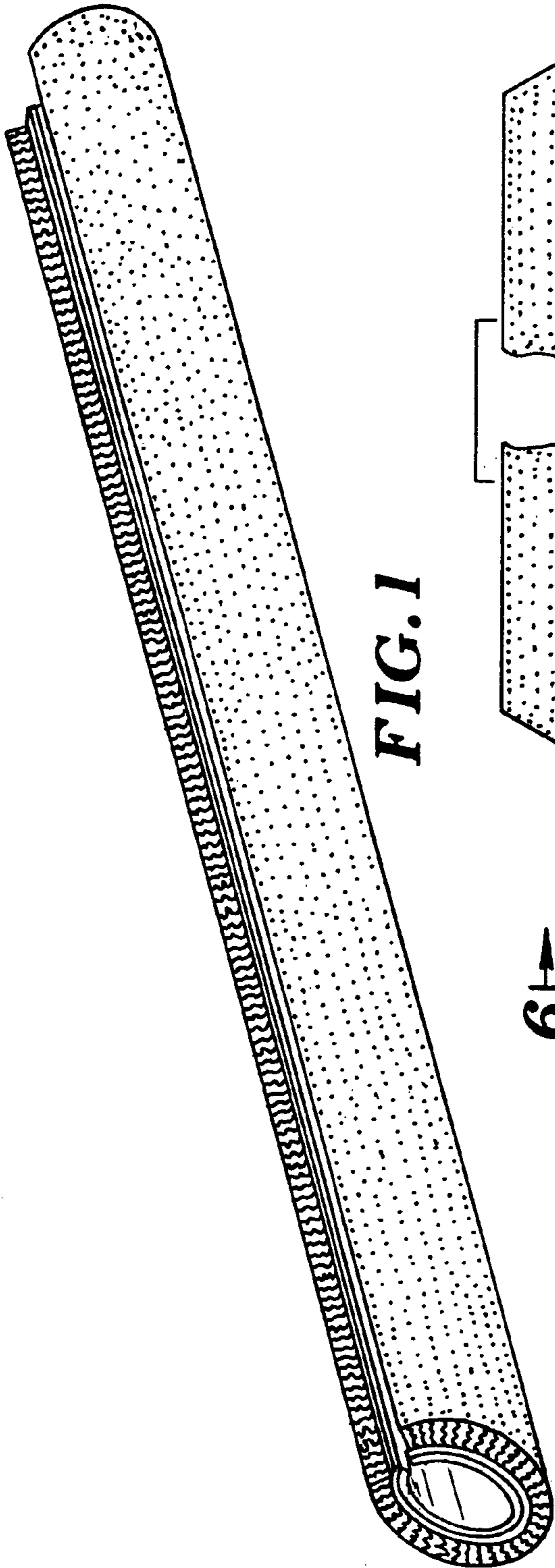


FIG. 1

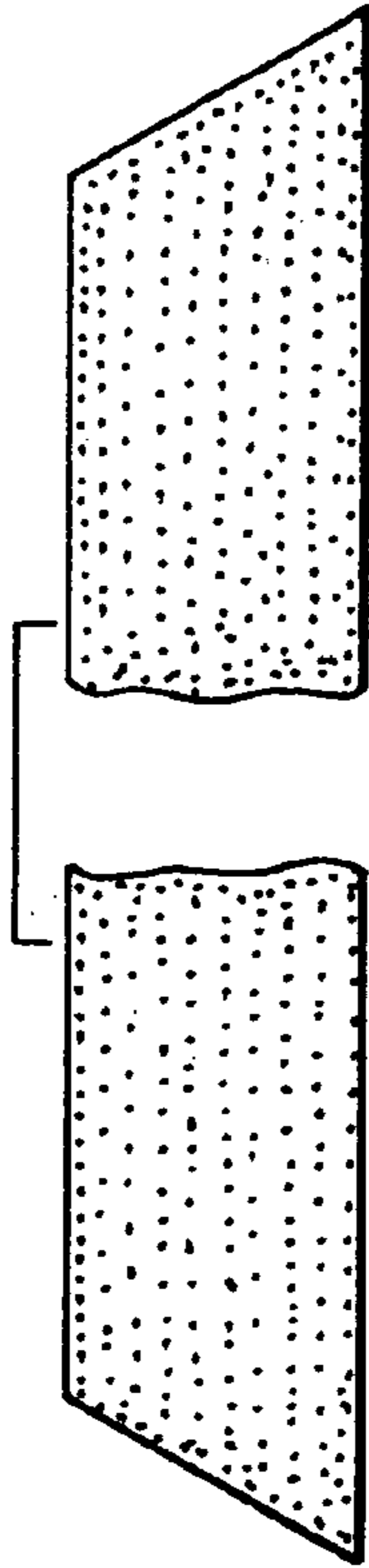


FIG. 3

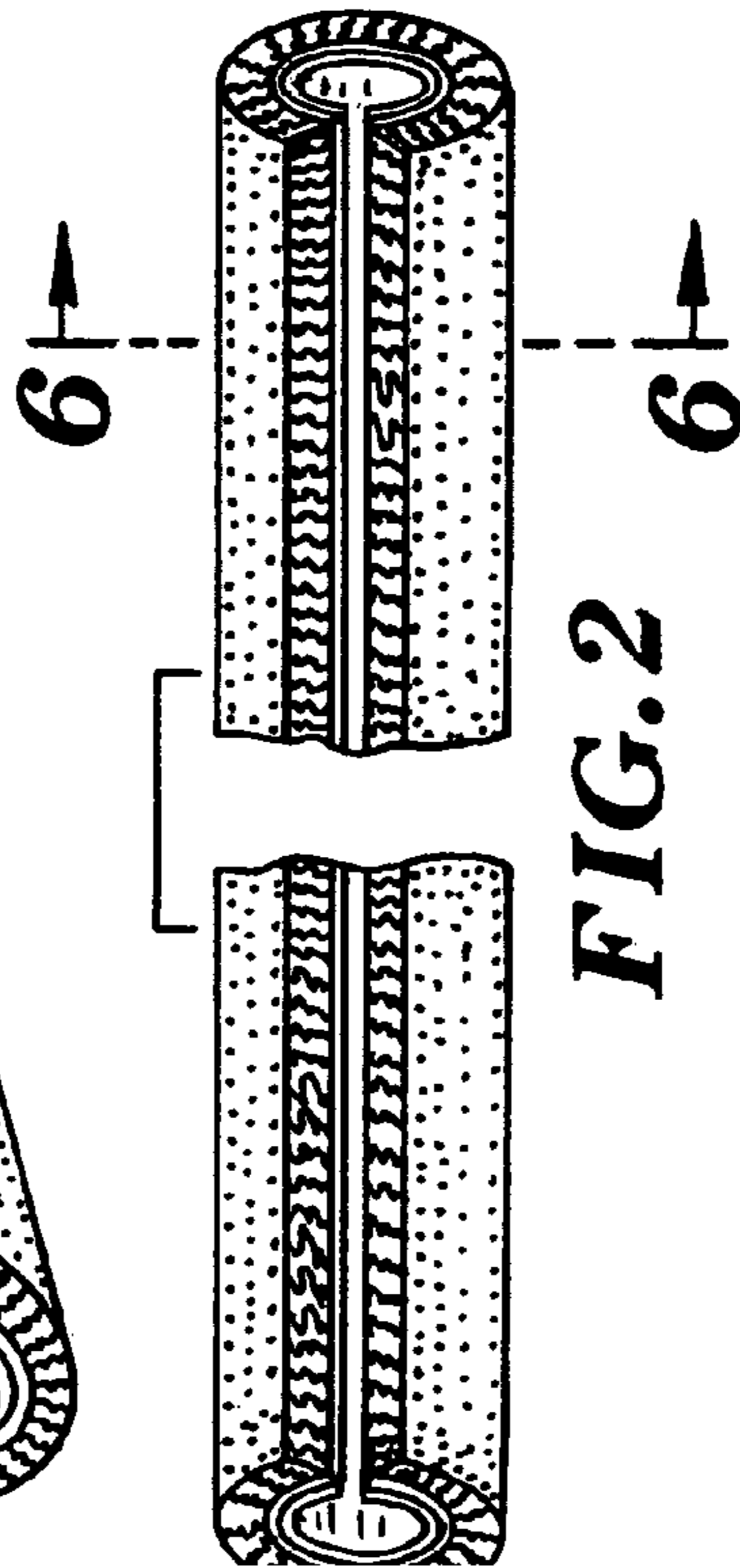


FIG. 2

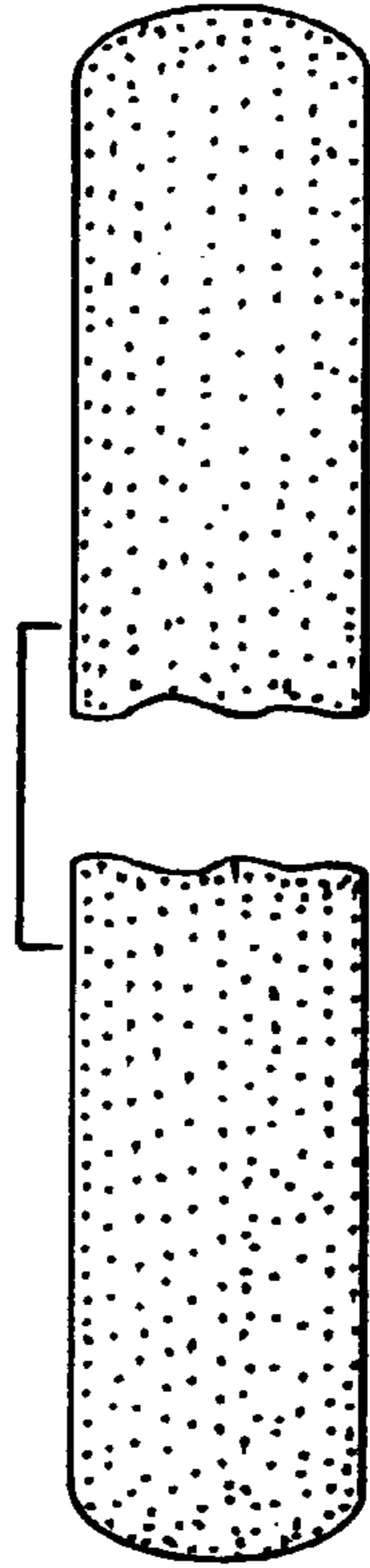


FIG. 4

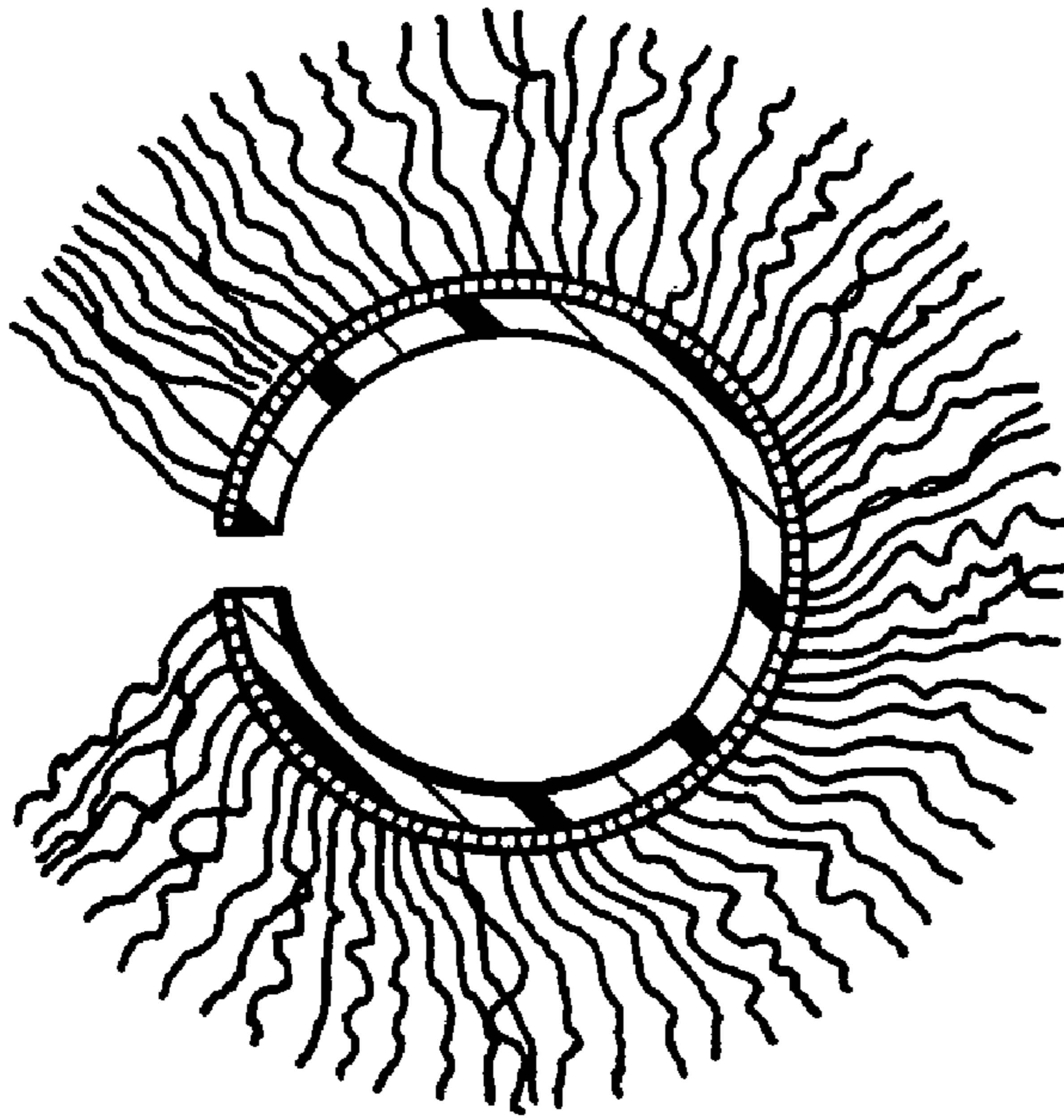


FIG. 6

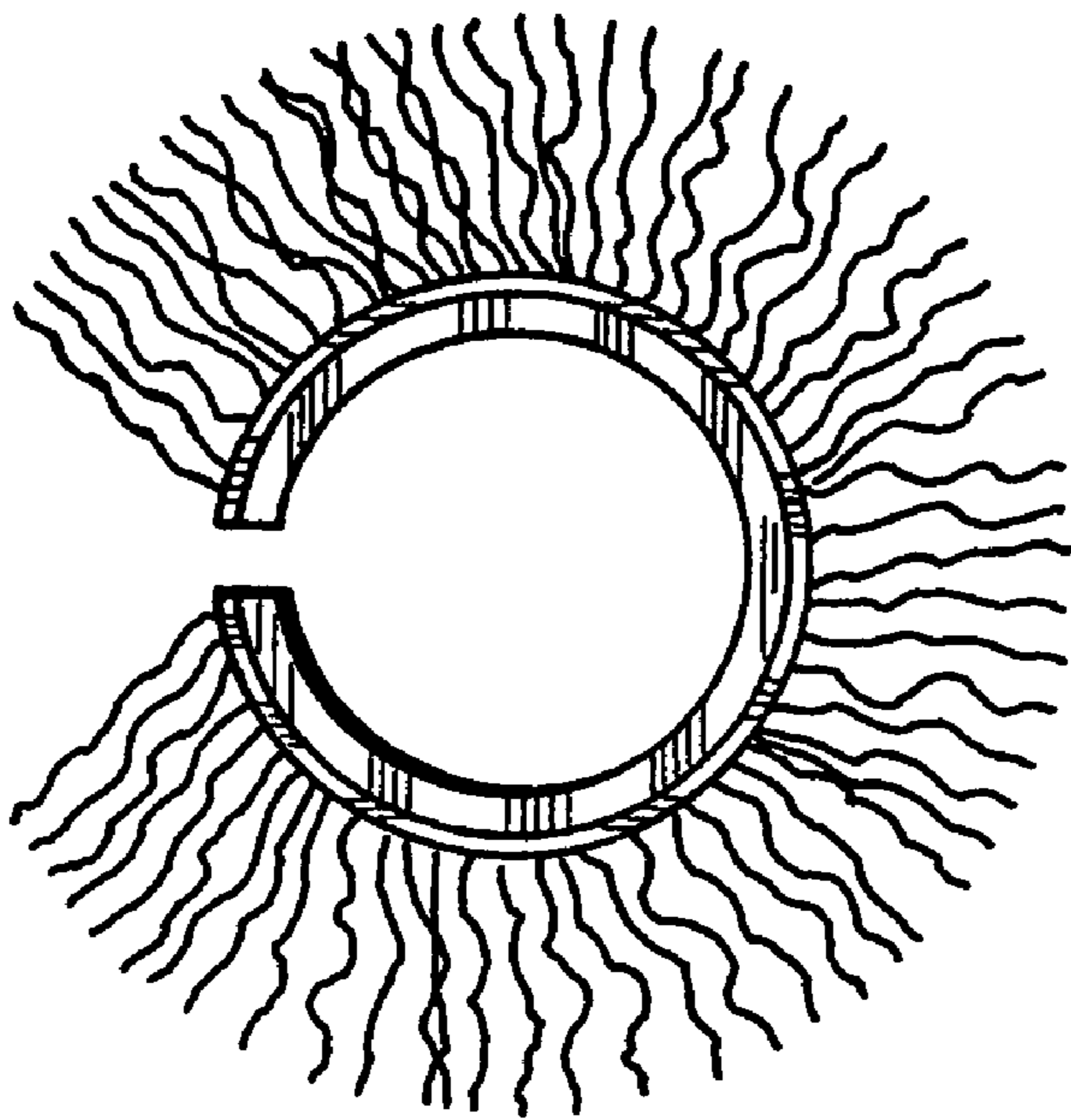


FIG. 5