



US00D573320S

(12) **United States Design Patent**  
**Crevling, Jr. et al.**

(10) **Patent No.:** **US D573,320 S**  
(45) **Date of Patent:** **\*\* Jul. 15, 2008**

(54) **COMBINED SHREDDER AND VACUUM CLEANER**

(75) Inventors: **Robert L. Crevling, Jr.**, Williamsport, PA (US); **Jason Gottschall**, Williamsport, PA (US)

(73) Assignee: **Shop-Vac Corporation**, Williamsport, PA (US)

(\*\*) Term: **14 Years**

(21) Appl. No.: **29/279,936**

(22) Filed: **May 11, 2007**

(51) **LOC (8) Cl.** ..... **15-05**

(52) **U.S. Cl.** ..... **D32/23**

(58) **Field of Classification Search** ..... D32/21, D32/23-24, 31, 15-16; D23/225; 15/320-321, 15/353, 323, 327.1-327.7, 329, 339, 412, 15/340.2, 344, 347; 55/DIG. 2  
See application file for complete search history.

(56) **References Cited**

**U.S. PATENT DOCUMENTS**

D253,472 S *	11/1979	Cannon et al.	.....	D32/23
D255,357 S *	6/1980	Brooks et al.	.....	D32/23
4,724,573 A	2/1988	østergaard	.....	15/321
D338,292 S *	8/1993	Schmitz et al.	.....	D32/21
D420,473 S	2/2000	Shero	.....	D32/16
D422,351 S	4/2000	Griffin	.....	D23/383
D422,386 S *	4/2000	Jaros et al.	.....	D32/21
D429,855 S	8/2000	Griffin	.....	D32/23
D429,857 S	8/2000	Griffin	.....	D32/23
D434,537 S	11/2000	Griffin et al.	.....	D32/31
6,179,889 B1	1/2001	Liu	.....	55/368
D438,353 S	2/2001	Hoshino et al.	.....	D32/23
D439,710 S	3/2001	Griffin	.....	D32/31
D443,739 S	6/2001	Young et al.	.....	D32/23
D444,274 S	6/2001	Griffin	.....	D32/15
D444,276 S	6/2001	Griffin	.....	D32/31
D446,612 S *	8/2001	Kohler	.....	D32/21
D446,892 S	8/2001	Griffin	.....	D32/23

D447,292 S	8/2001	Griffin	.....	D32/23
D447,842 S	9/2001	Griffin	.....	D32/23
D470,279 S	2/2003	Griffin et al.	.....	D32/23
6,530,116 B2	3/2003	Berfield et al.	.....	15/328
D506,042 S	6/2005	Griffin et al.	.....	D32/21
D521,700 S *	5/2006	Griffin	.....	D32/23
D528,718 S *	9/2006	Tomasiak et al.	.....	D32/21
7,165,290 B2	1/2007	Martinez et al.	.....	16/30
D549,903 S *	8/2007	Eccardt et al.	.....	D32/21

**OTHER PUBLICATIONS**

U.S. Appl. No. 29/279,938, R. L. Crevling, Jr. et al., filed May 11, 2007.

Shop-Vac Brochure, QSP Series, Quiet Super Power Wet/Dry Vacs, dated 1993.

Karcher Catalogue, High Performance Wet and Dry Vacuums, Dust Extraction and Spray Extraction Machines, dated 1999.

Shop-Vac Brochure, QSP Plus, dated 2001.

Shop-Vac Brochure, Ultra Plus and Ultra Pro, dated 2006.

Karcher Catalogue, Wet and Dry Vacuum Cleaners, dated 2006.

\* cited by examiner

*Primary Examiner*—Ruth McInroy

(74) *Attorney, Agent, or Firm*—Marshall, Gerstein & Borun LLP

(57) **CLAIM**

The ornamental design for a combined shredder and vacuum cleaner, as shown and described.

**DESCRIPTION**

FIG. 1 is a perspective view of a combined shredder and vacuum cleaner showing our new design;

FIG. 2 is a front view thereof;

FIG. 3 is a left-side view thereof;

FIG. 4 is a rear view thereof;

FIG. 5 is a right-side view thereof; and,

FIG. 6 is a top plan view thereof.

The bottom of the combined shredder and vacuum cleaner forms no part of the claimed design.

**1 Claim, 6 Drawing Sheets**

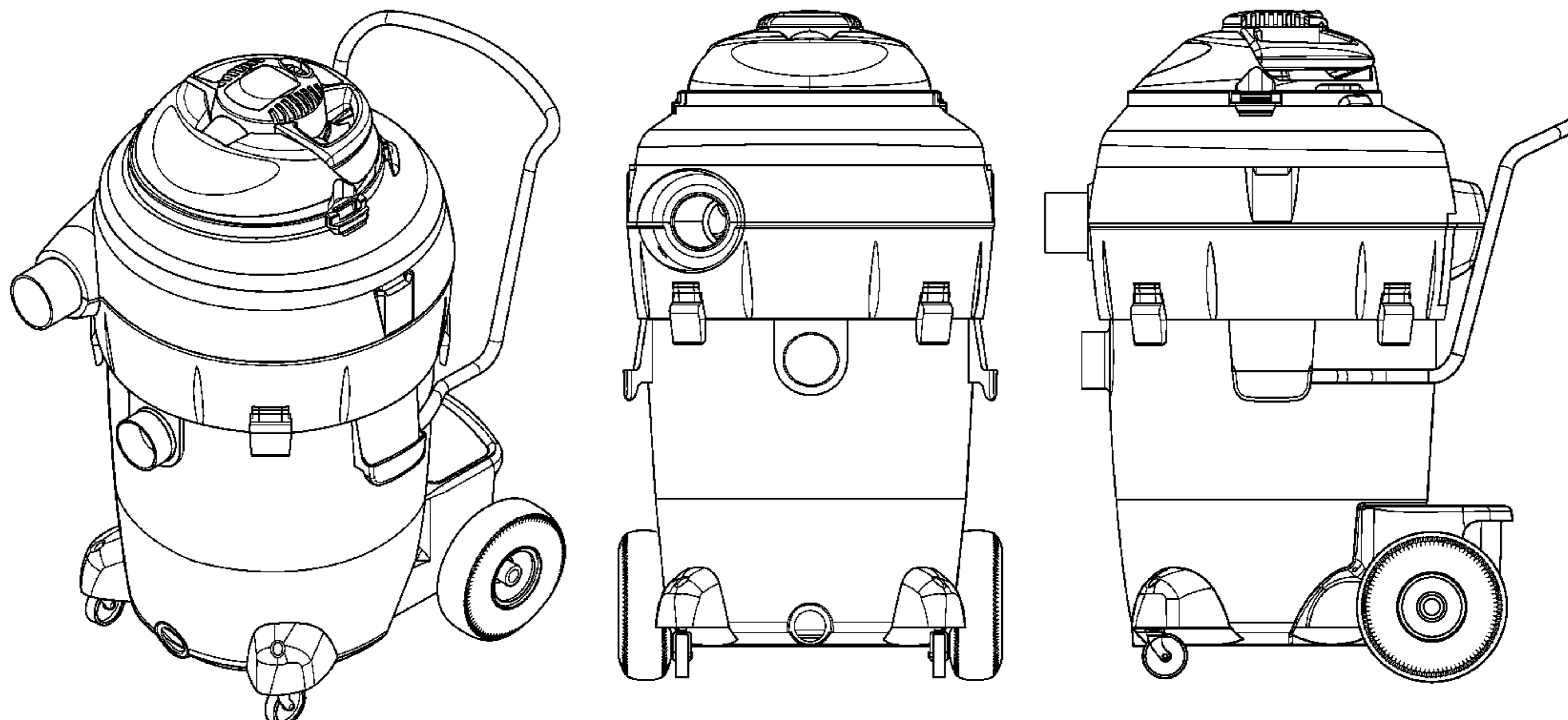
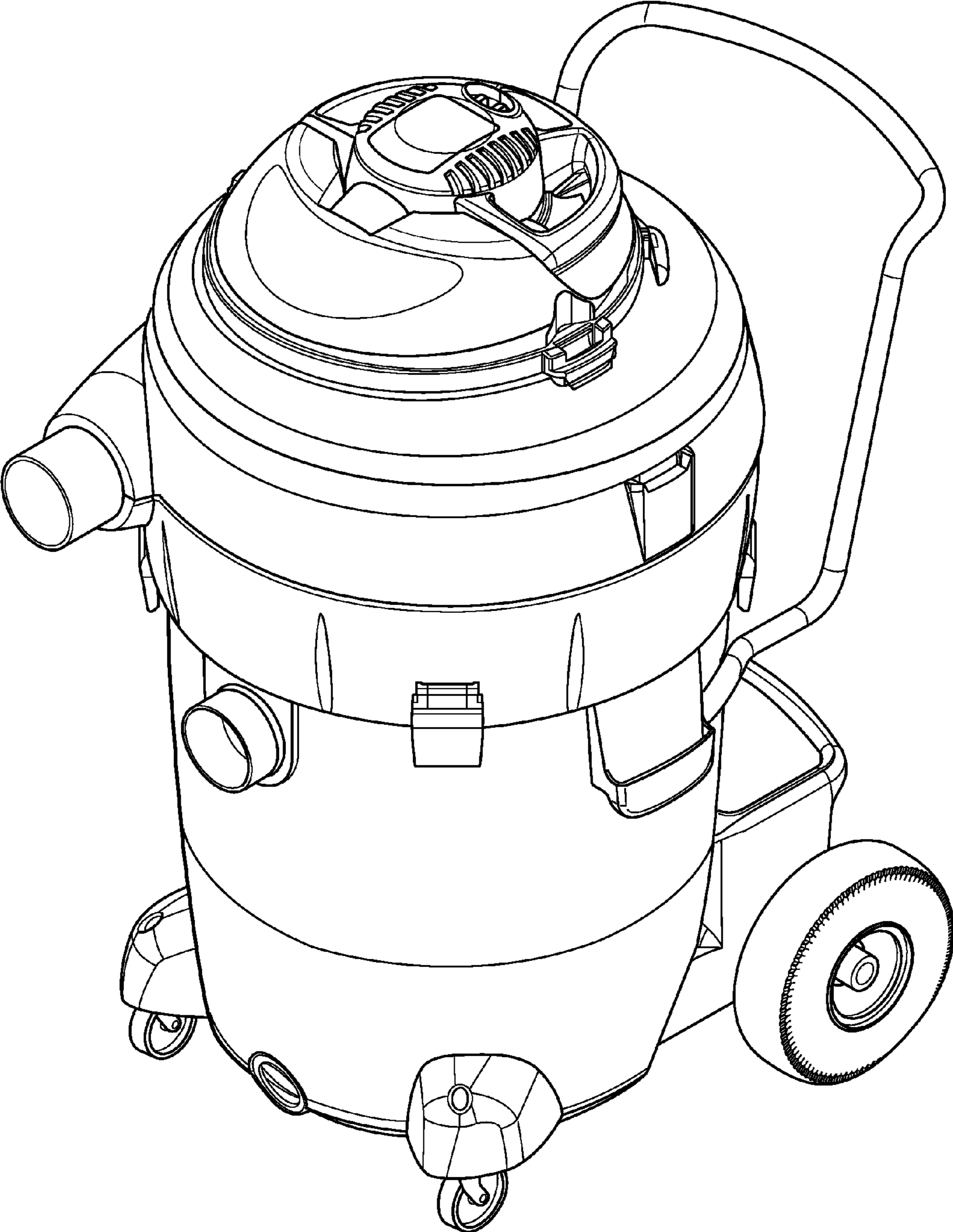
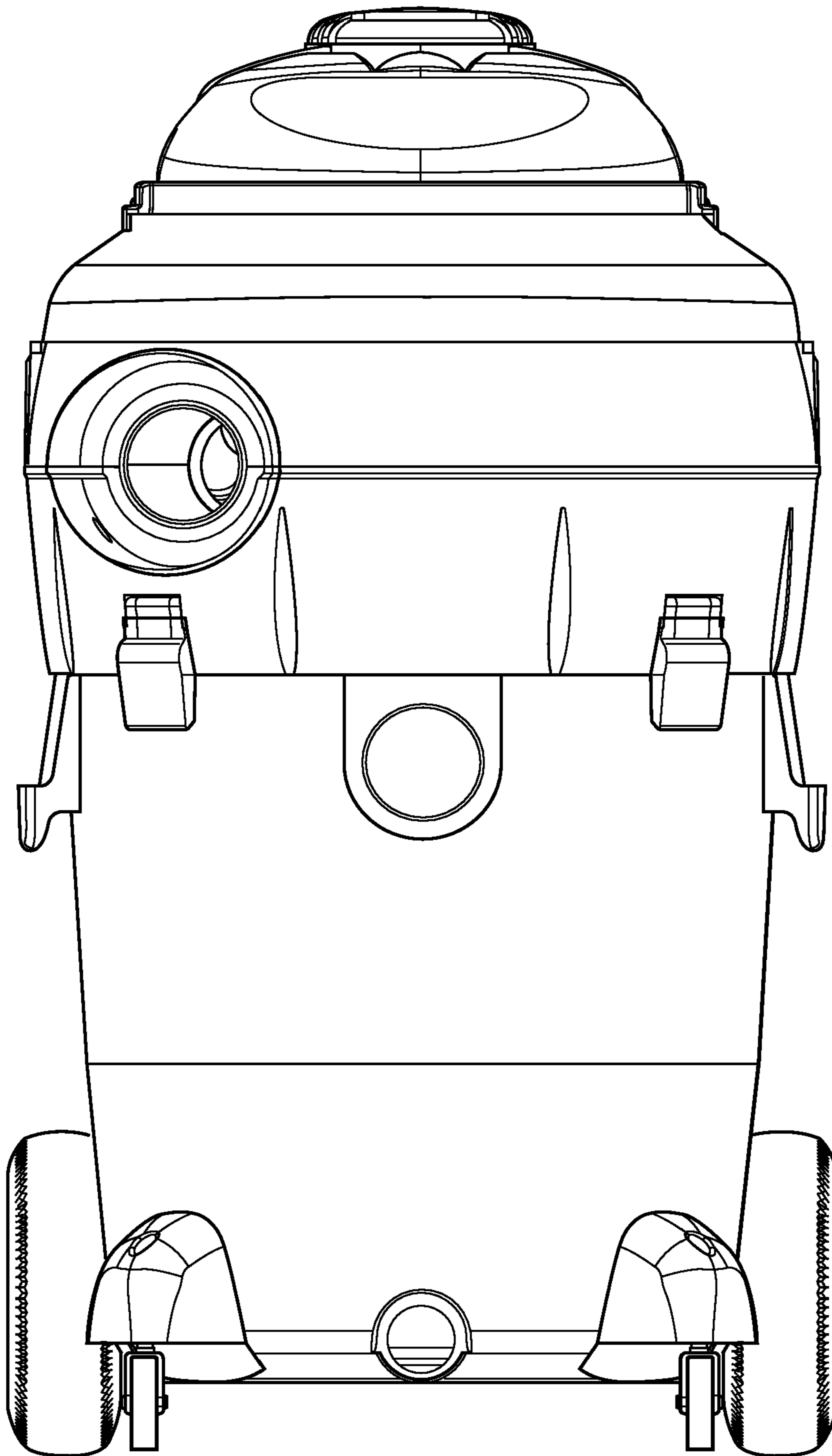


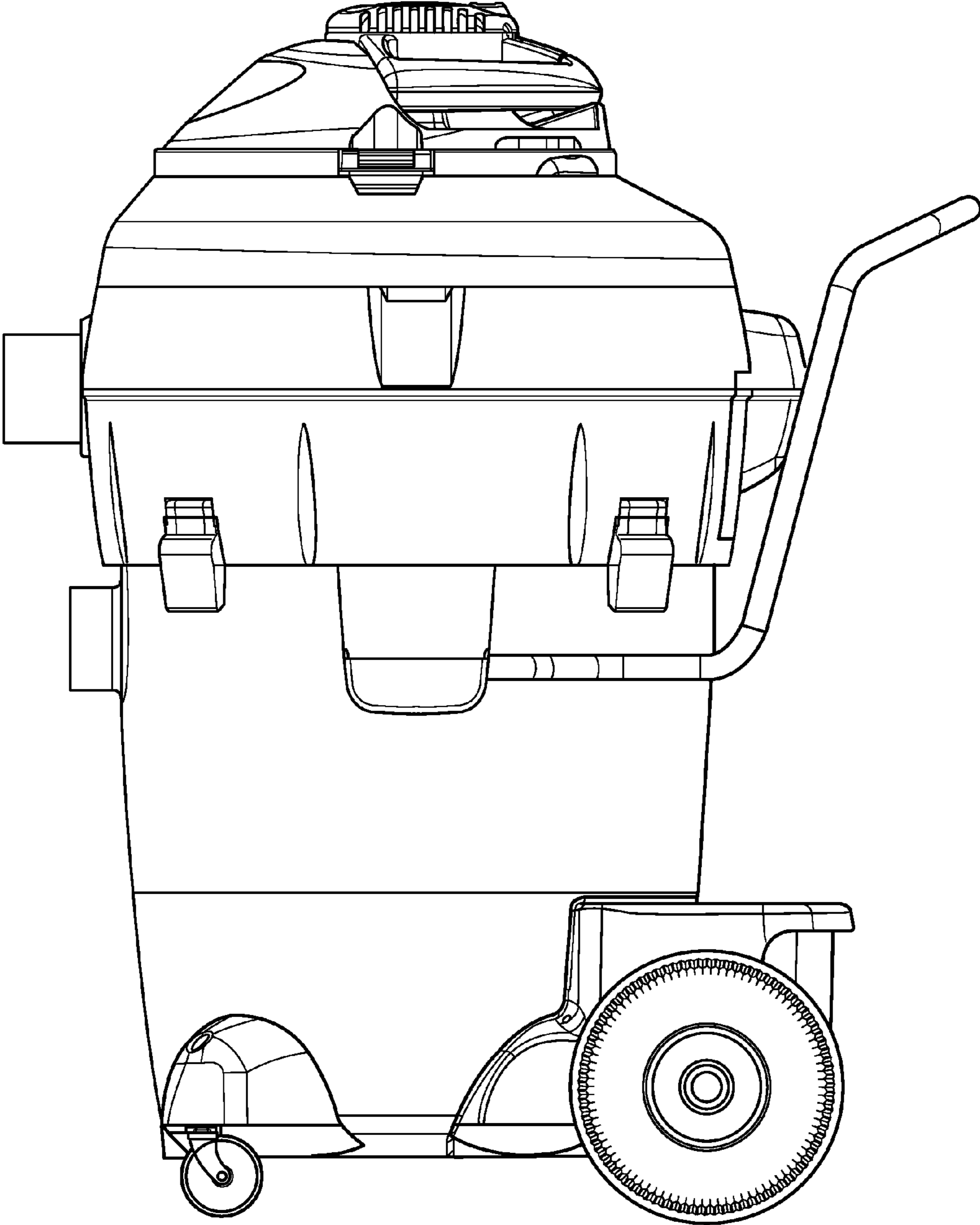
FIG. 1



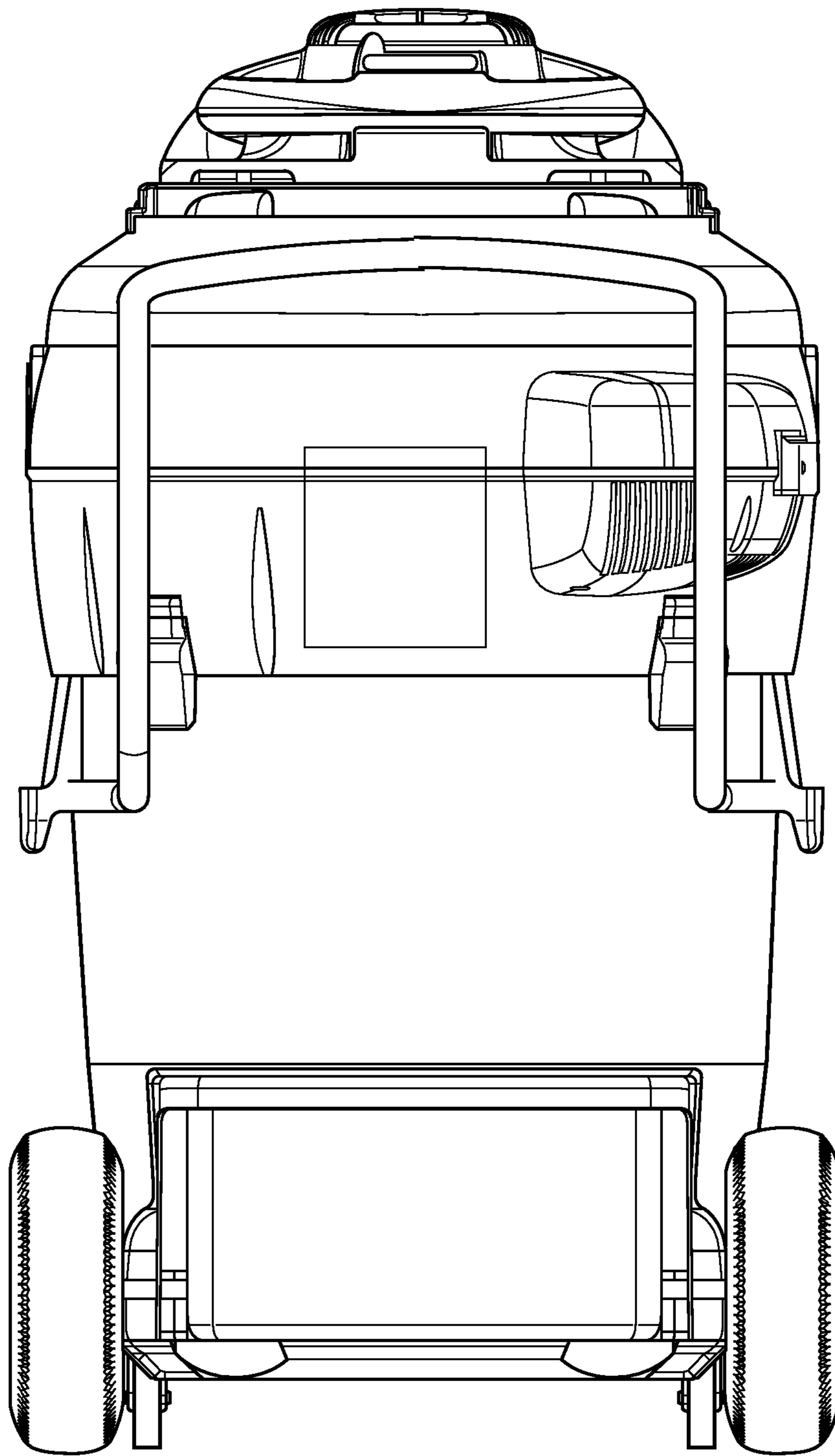
**FIG. 2**



**FIG. 3**



**FIG. 4**



**FIG. 5**

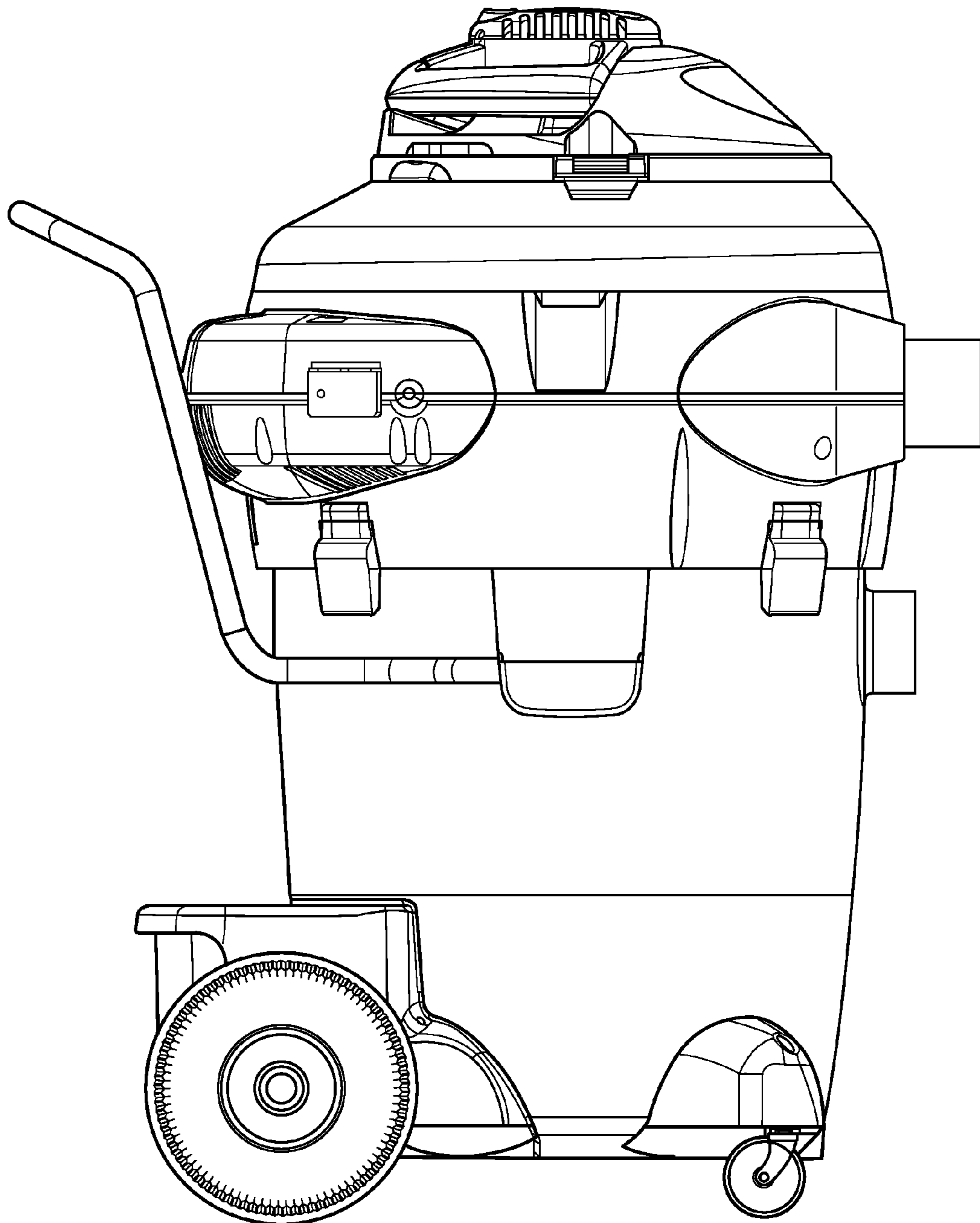


FIG. 6

