



US00D573319S

(12) **United States Design Patent**
Crevling, Jr. et al.

(10) **Patent No.:** **US D573,319 S**
(45) **Date of Patent:** **** Jul. 15, 2008**

(54) **VACUUM CLEANER**

(75) Inventors: **Robert L. Crevling, Jr.**, Williamsport, PA (US); **Jason Gottschall**, Williamsport, PA (US)

(73) Assignee: **Shop-Vac Corporation**, Williamsport, PA (US)

(**) Term: **14 Years**

(21) Appl. No.: **29/266,513**

(22) Filed: **Sep. 22, 2006**

(51) **LOC (8) Cl.** **15-05**

(52) **U.S. Cl.** **D32/21**

(58) **Field of Classification Search** D32/21, D32/23-24, 31, 15-16; D23/225; 15/320-321, 15/353, 323, 327.1-327.7, 329, 339, 412, 15/340.2, 344, 347; 55/DIG. 2
See application file for complete search history.

(56) **References Cited**

U.S. PATENT DOCUMENTS

D438,353 S * 2/2001 Hoshino et al. D32/23
D446,892 S * 8/2001 Griffin D32/23
D447,292 S * 8/2001 Griffin D32/23

D470,281 S * 2/2003 Griffin et al. D32/23
D506,857 S * 6/2005 Griffin D32/23
D512,545 S * 12/2005 Griffin D32/21
D519,251 S * 4/2006 Hoshino et al. D32/23

* cited by examiner

Primary Examiner—Ruth McInroy

(74) *Attorney, Agent, or Firm*—Marshall, Gerstein & Borun LLP

(57) **CLAIM**

The ornamental design for a vacuum cleaner, as shown and described.

DESCRIPTION

FIG. 1 is a front view of a vacuum cleaner showing our new design;

FIG. 2 is a left side view thereof;

FIG. 3 is a right side view thereof;

FIG. 4 is a rear view thereof; and,

FIG. 5 is a top plan view thereof.

The bottom of the shredder/vacuum cleaner forms no part of the claimed design.

1 Claim, 5 Drawing Sheets

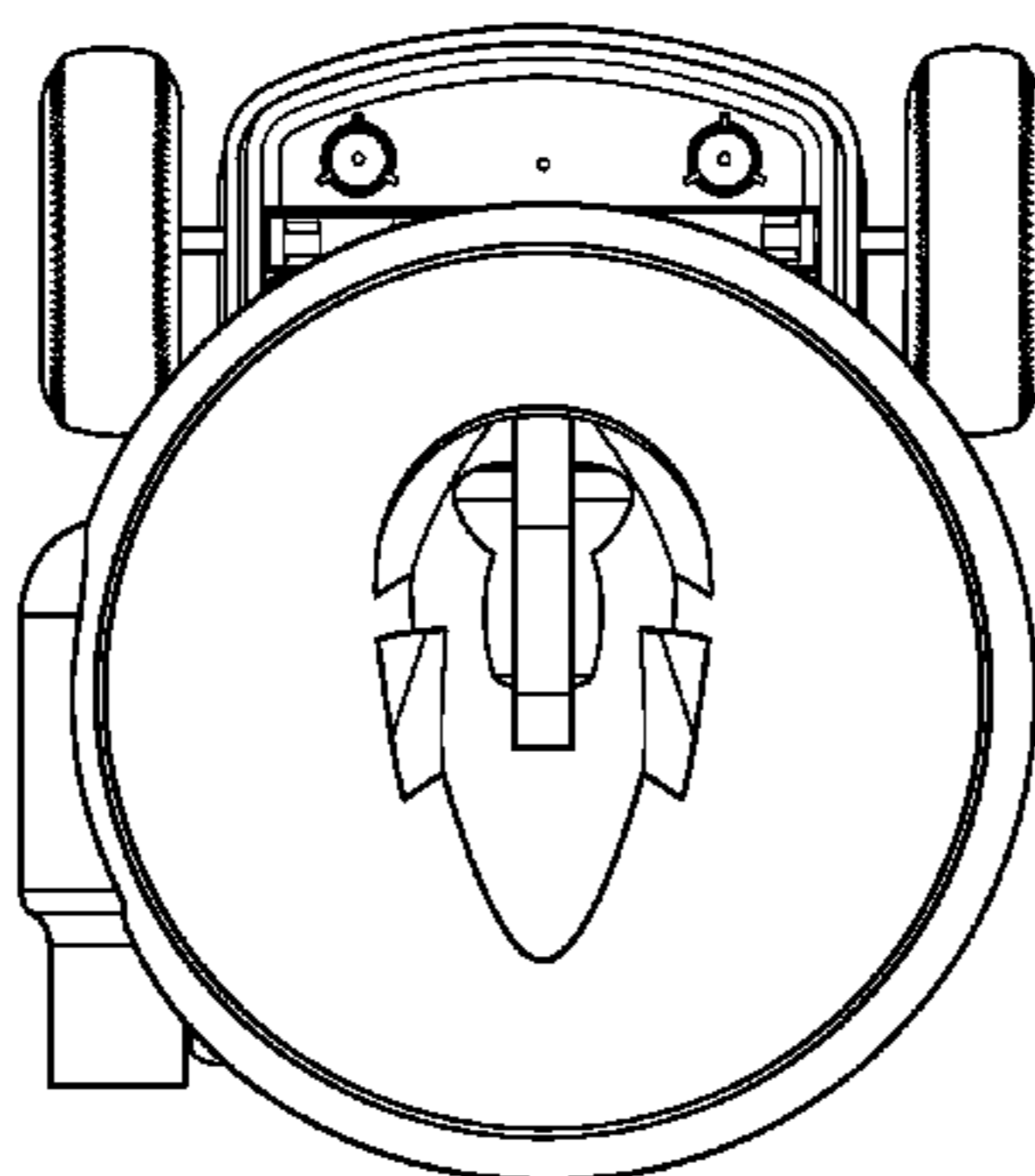
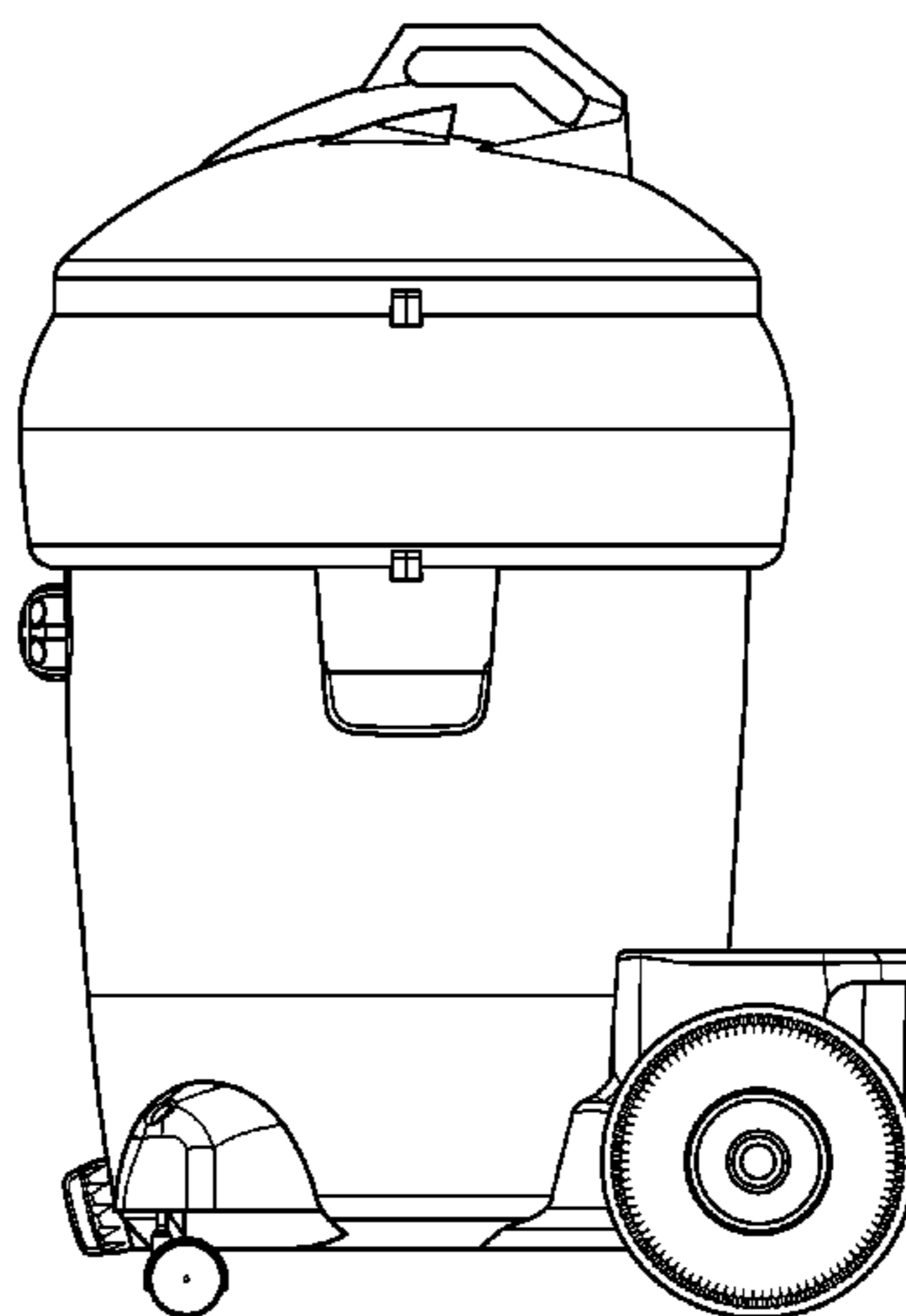
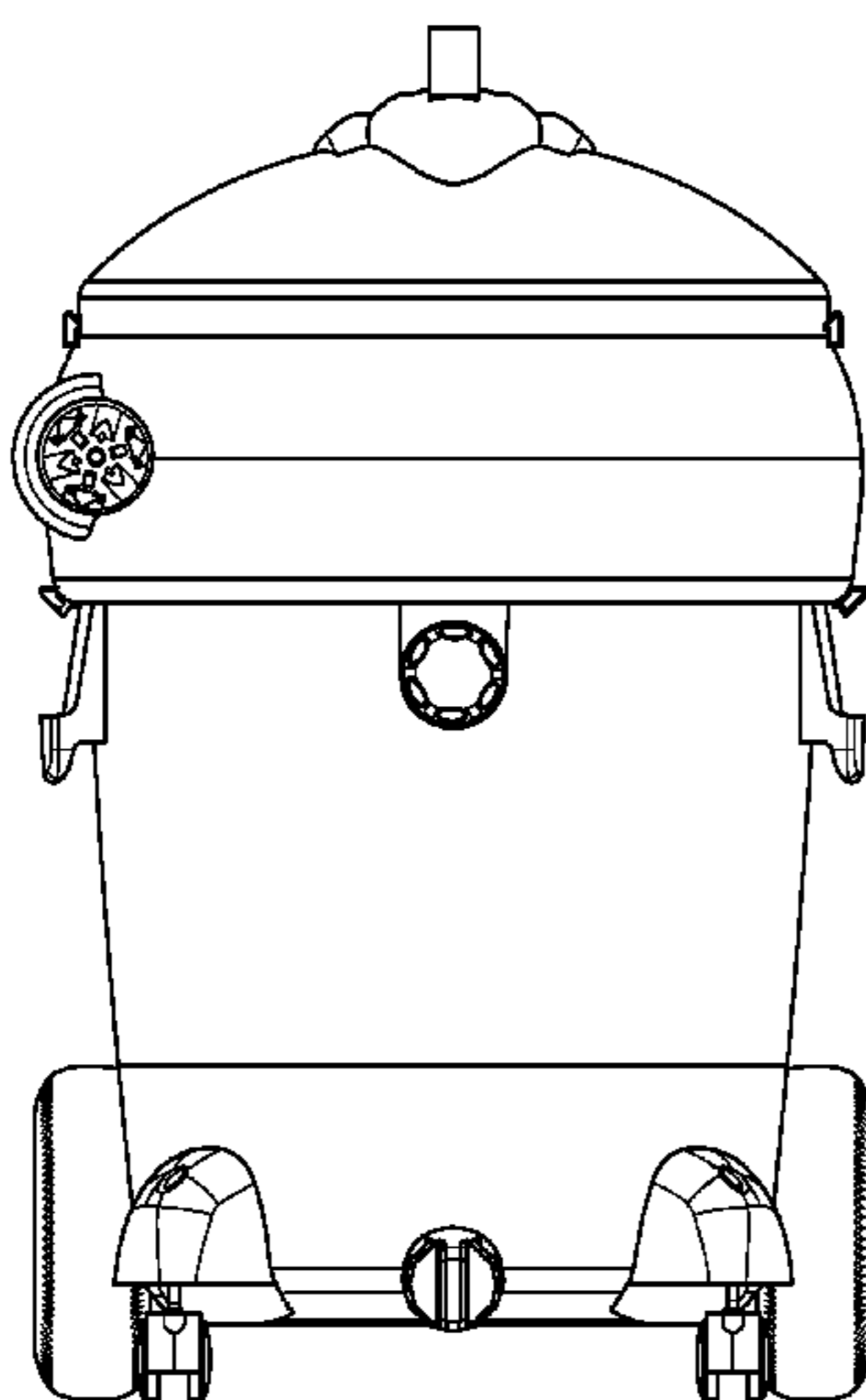


FIG. 1

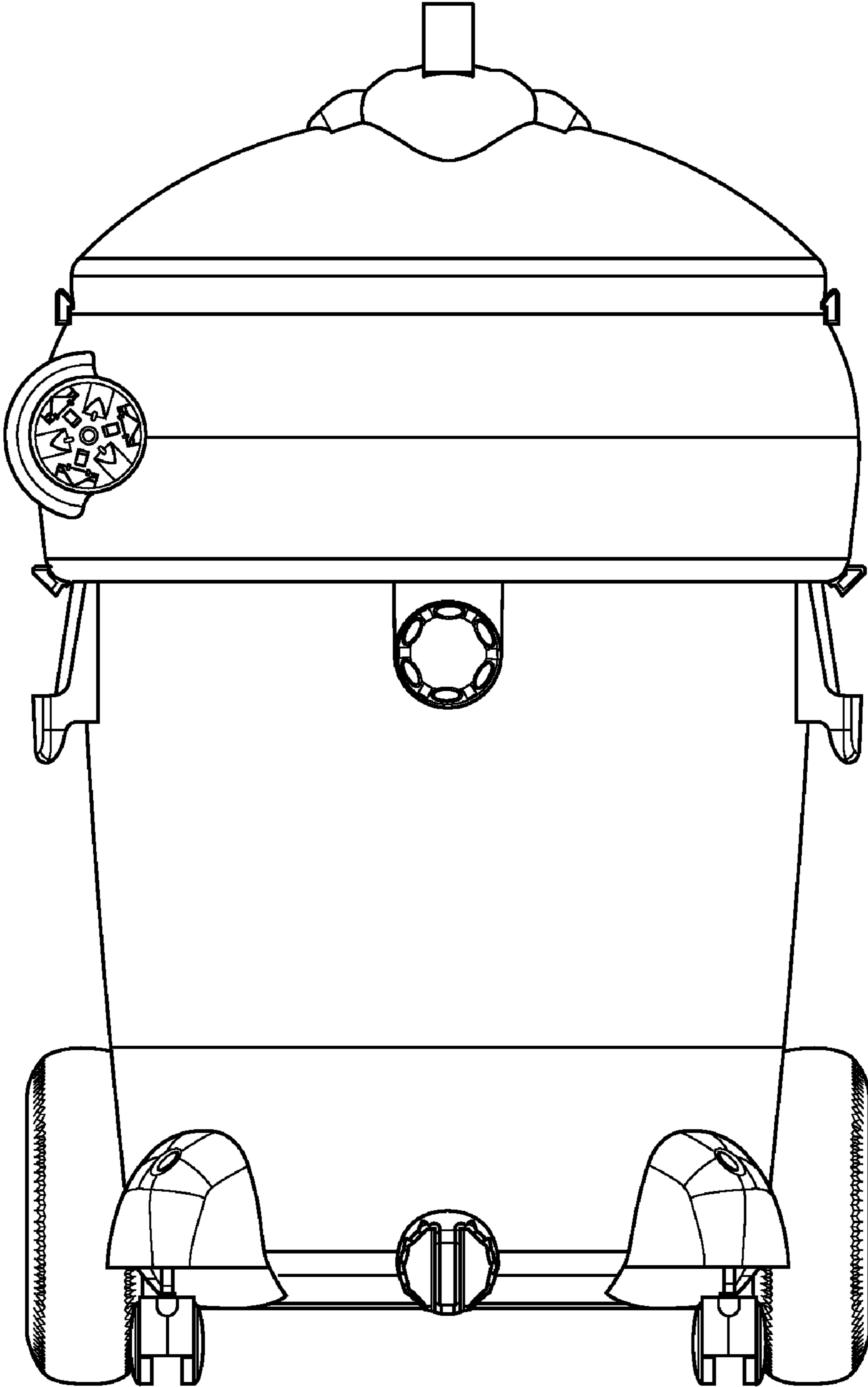


FIG. 2

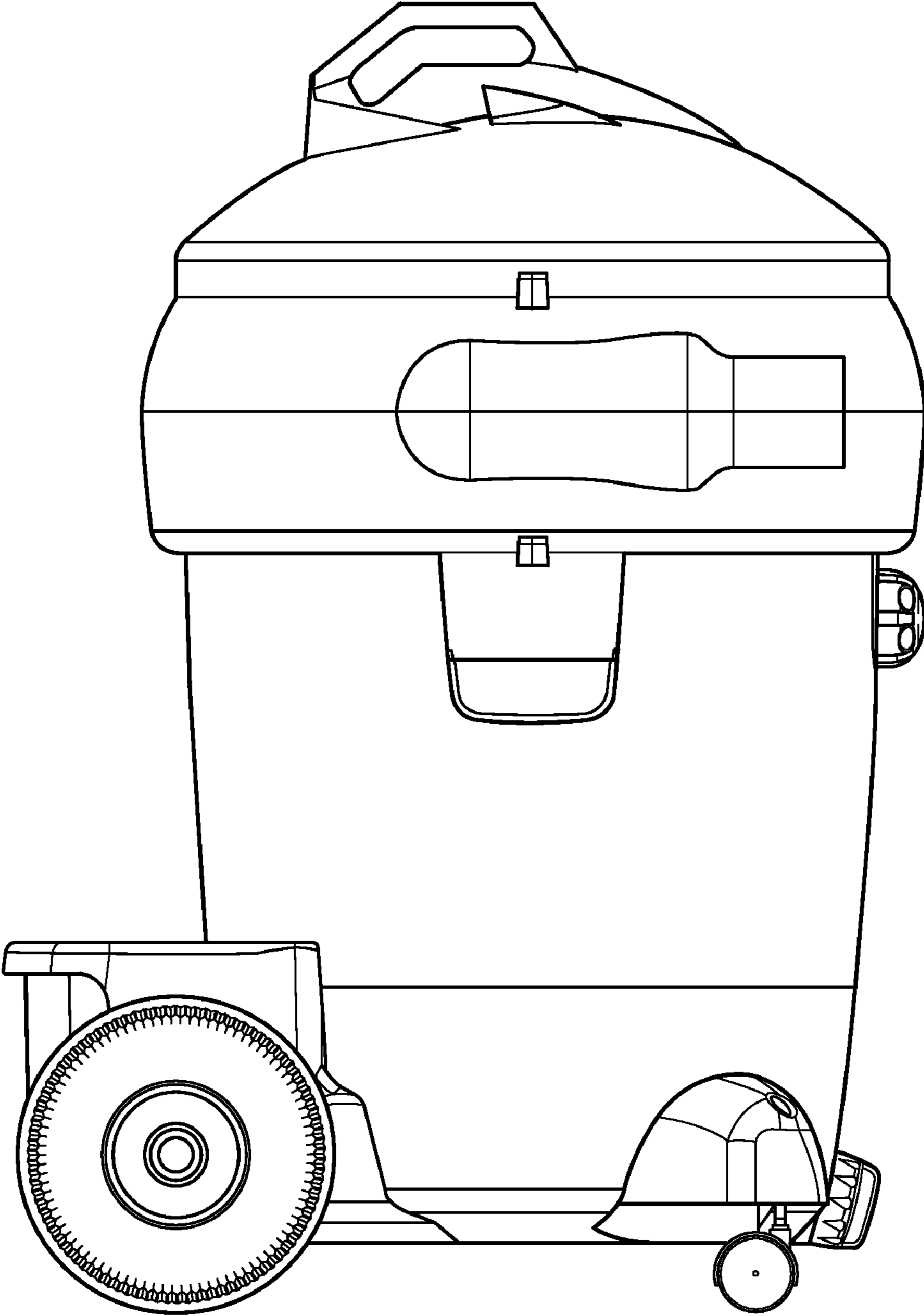


FIG. 3

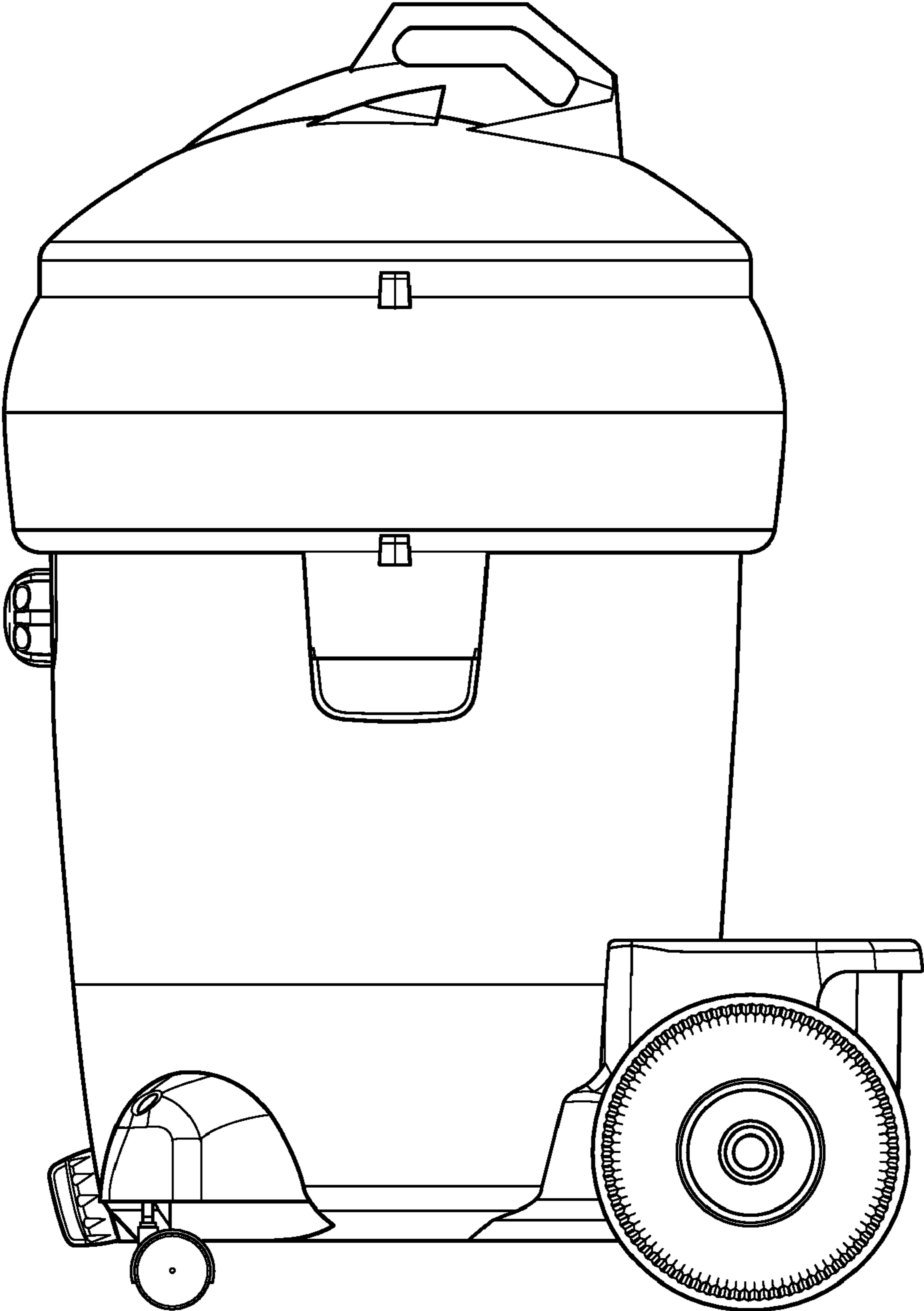


FIG. 4

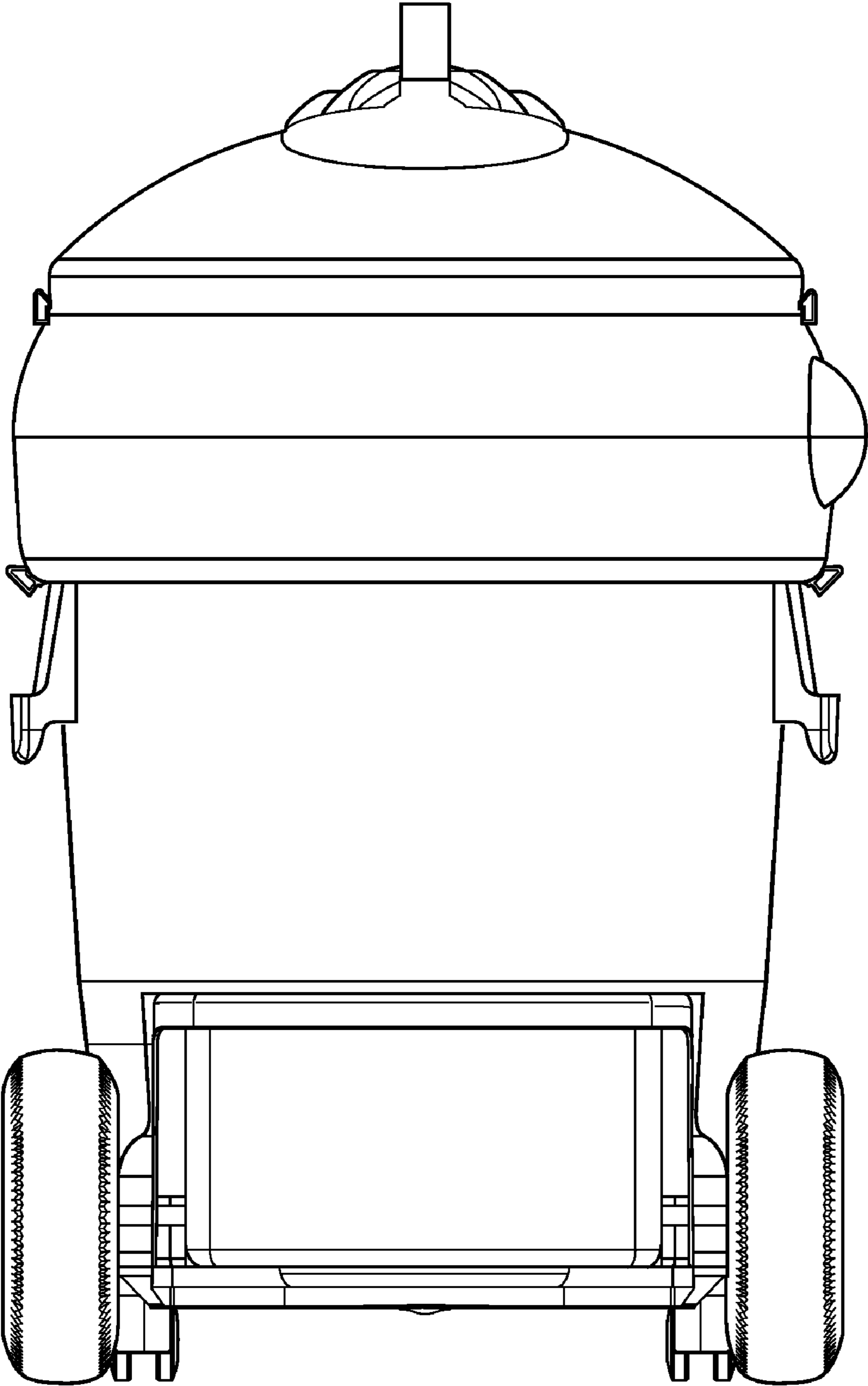


FIG. 5

