



US00D573315S

(12) **United States Design Patent**
Kelley et al.

(10) **Patent No.:** **US D573,315 S**
(45) **Date of Patent:** **** Jul. 15, 2008**

(54) **PET-SAFE TETHERING AND ESCAPE TREE**

(76) Inventors: **Stacey A. Kelley**, 1203 West Riverside Dr., Perth-Andover, New Brunswick (CA) E7H 5G6; **Jonathan R. Gagnon**, 1203 West Riverside Dr., Perth-Andover, New Brunswick (CA) E7H 5G6

(**) Term: **14 Years**

(21) Appl. No.: **29/268,732**

(22) Filed: **Nov. 13, 2006**

(51) **LOC (8) Cl.** **30-09**

(52) **U.S. Cl.** **D30/154**

(58) **Field of Classification Search** 318/257;
D30/154, 160, 151, 199, 153; 119/707-712,
119/786-788, 791, 780, 782, 769-771; D21/791,
D21/840; D8/1, 14, 47; 248/121, 521, 545,
248/499, 145, 156, 508, 530, 125.1, 125.3,
248/125.8; 211/205; 52/155, 166, 157, 162,
52/163; 135/118; 403/360, 378; 473/149,
473/147; D26/138; 362/401; 410/101; 405/259.1,
405/244; 182/3; 24/523, 525, 299
See application file for complete search history.

(56) **References Cited**

U.S. PATENT DOCUMENTS

215,730	A	5/1879	Fox et al.	
550,620	A	12/1895	Jones	
D45,049	S	* 12/1913	Mueller	D8/47
2,087,176	A	* 7/1937	Webb	119/787
2,525,890	A	* 10/1950	Gage	119/787
3,397,885	A	* 8/1968	Nash, Jr.	473/418
3,479,991	A	11/1969	Lichtenberger	
D222,276	S	10/1971	Hughes, Jr.	

D233,844	S	12/1974	Tucker	
D243,351	S	* 2/1977	Laukhuf	D30/154
4,253,423	A	3/1981	Kaplan	
5,161,487	A	* 11/1992	Miller	119/786
5,575,241	A	* 11/1996	Line	119/708
D379,416	S	* 5/1997	Adams	D8/1
5,675,225	A	* 10/1997	Moore et al.	318/257
5,785,007	A	* 7/1998	Sauber et al.	119/771
5,894,818	A	* 4/1999	Betzen	119/712
5,957,092	A	* 9/1999	Colsch	119/787
6,016,771	A	* 1/2000	Baiera et al.	119/708
D473,020	S	4/2003	DeRaspe-Bolles et al.	
D477,118	S	* 7/2003	Kirch et al.	D30/154
D493,079	S	* 7/2004	Fowler	D8/14

* cited by examiner

Primary Examiner—Melanie Tung

Assistant Examiner—Susan Moon Lee

(74) *Attorney, Agent, or Firm*—Palmer C. DeMeo; Mario Theriault

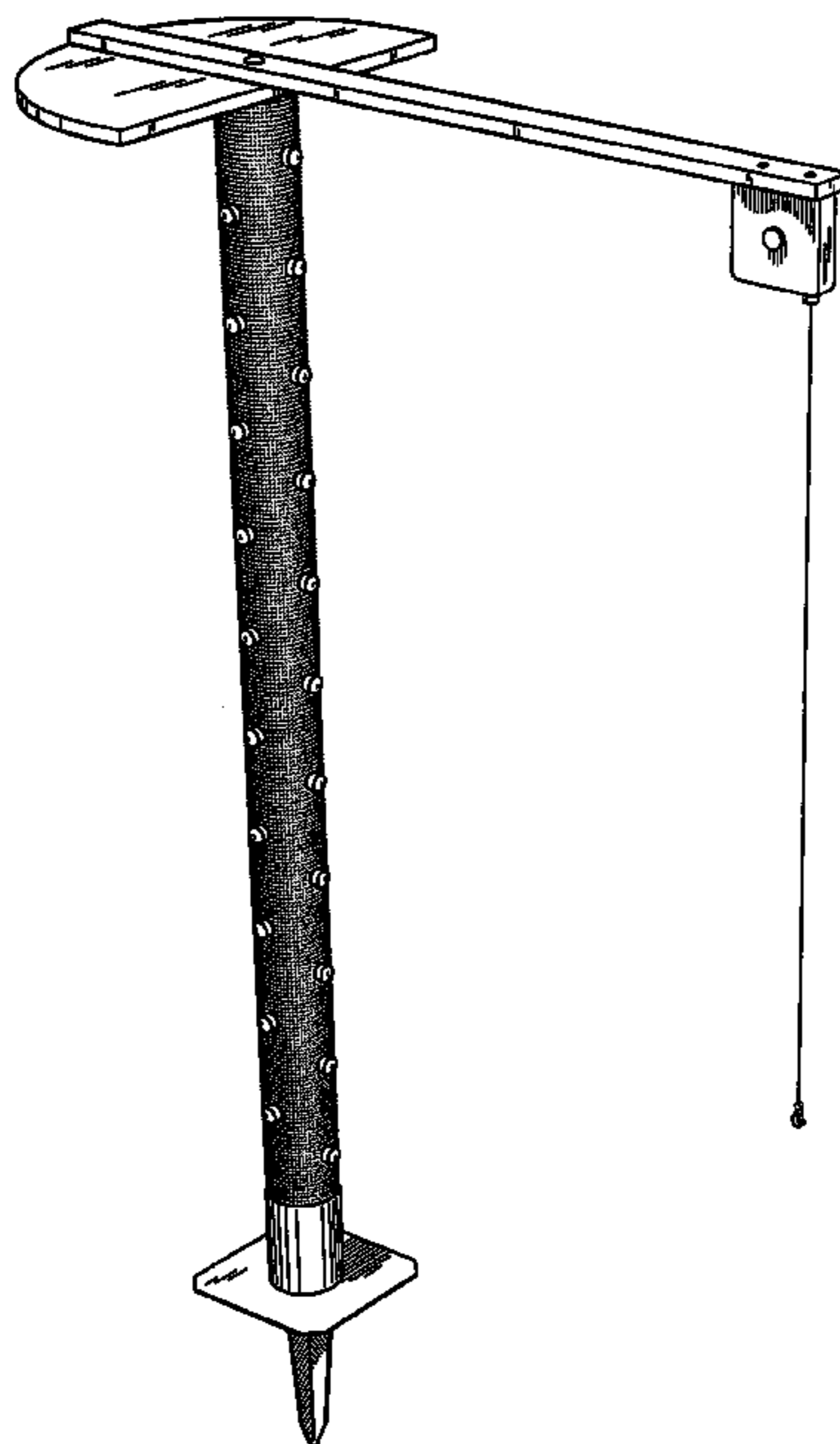
(57) **CLAIM**

The ornamental design for a pet-safe tethering and escape tree, as shown and described.

DESCRIPTION

FIG. 1 is a perspective top, front and left side view of a pet-safe tethering and escape tree, showing our new design; FIG. 2 is a left side view thereof, the right side view being a mirror image; FIG. 3 is a front view thereof; FIG. 4 is a rear view thereof; and, FIG. 5 is a top view thereof.

1 Claim, 3 Drawing Sheets



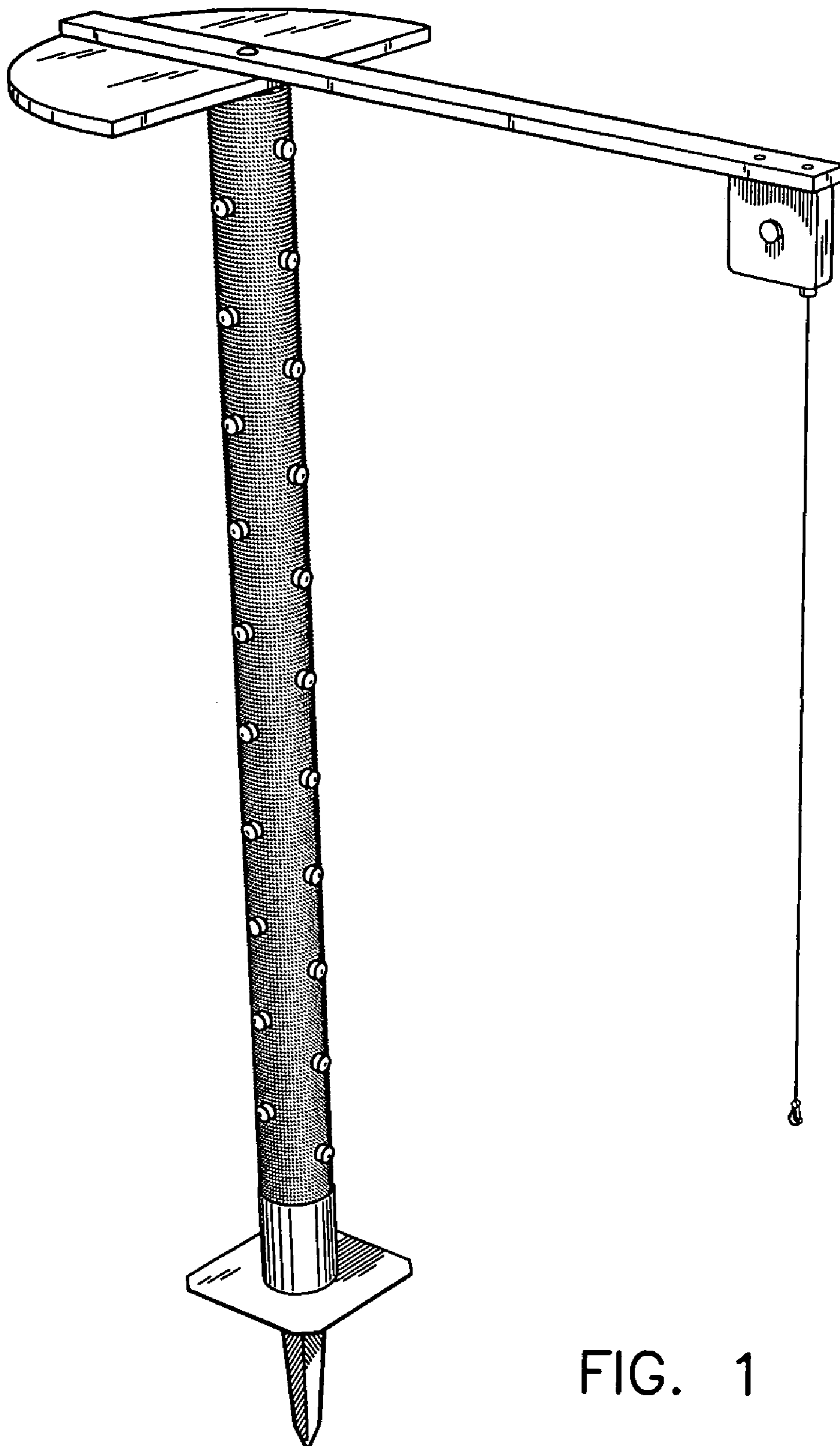


FIG. 1

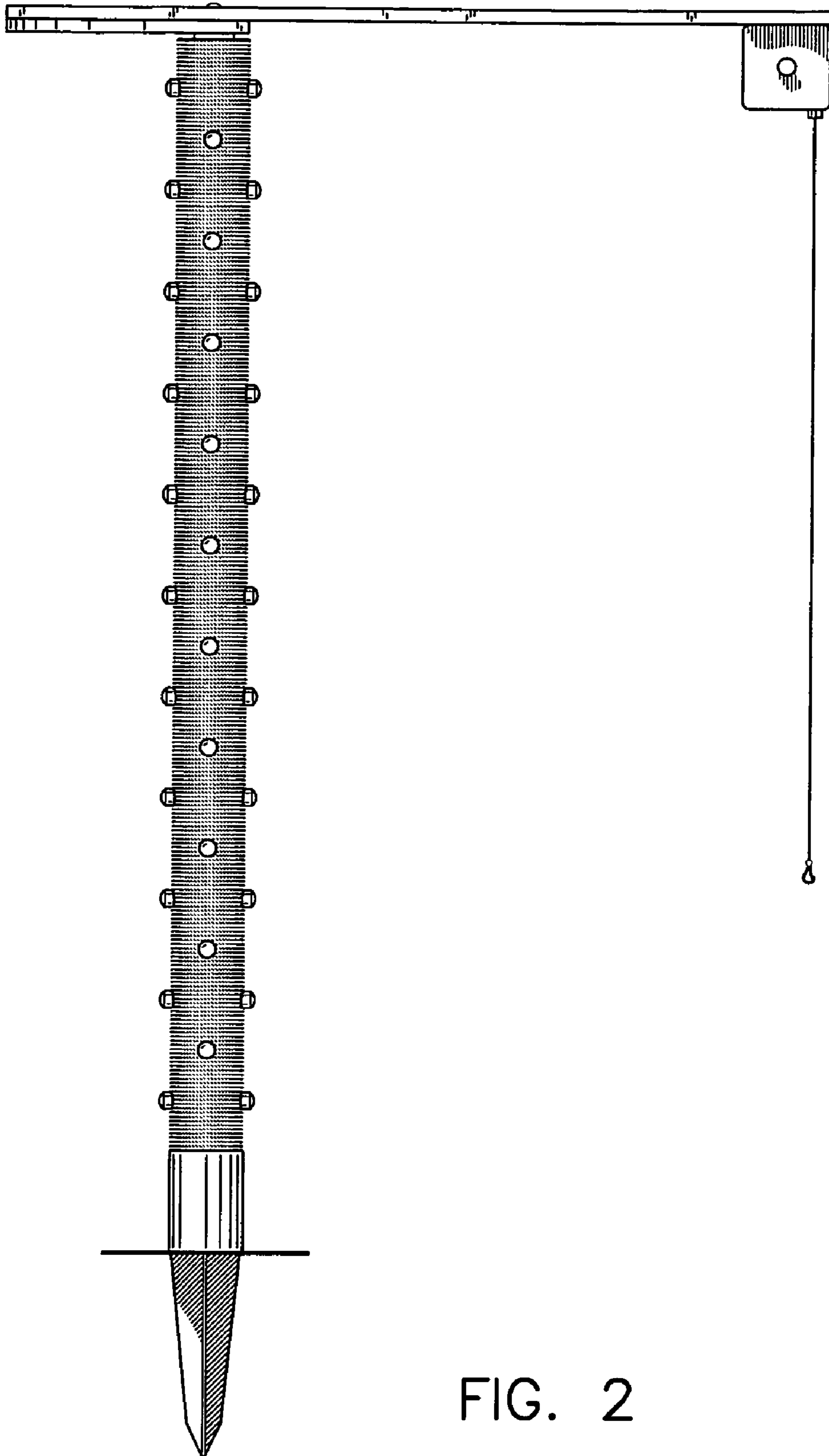


FIG. 2

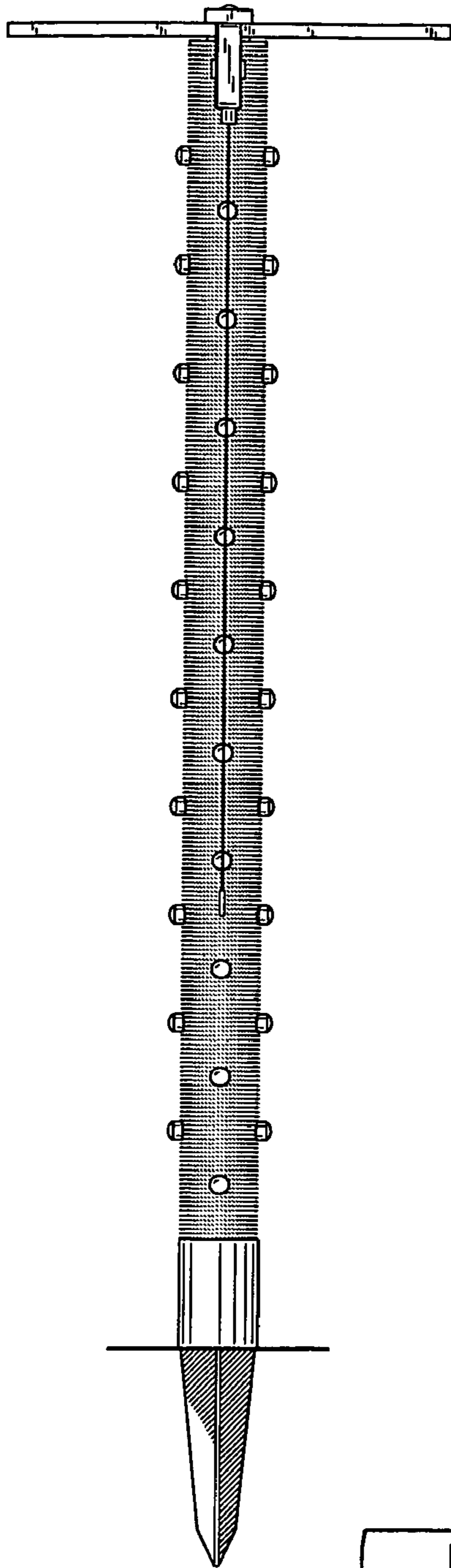


FIG. 3

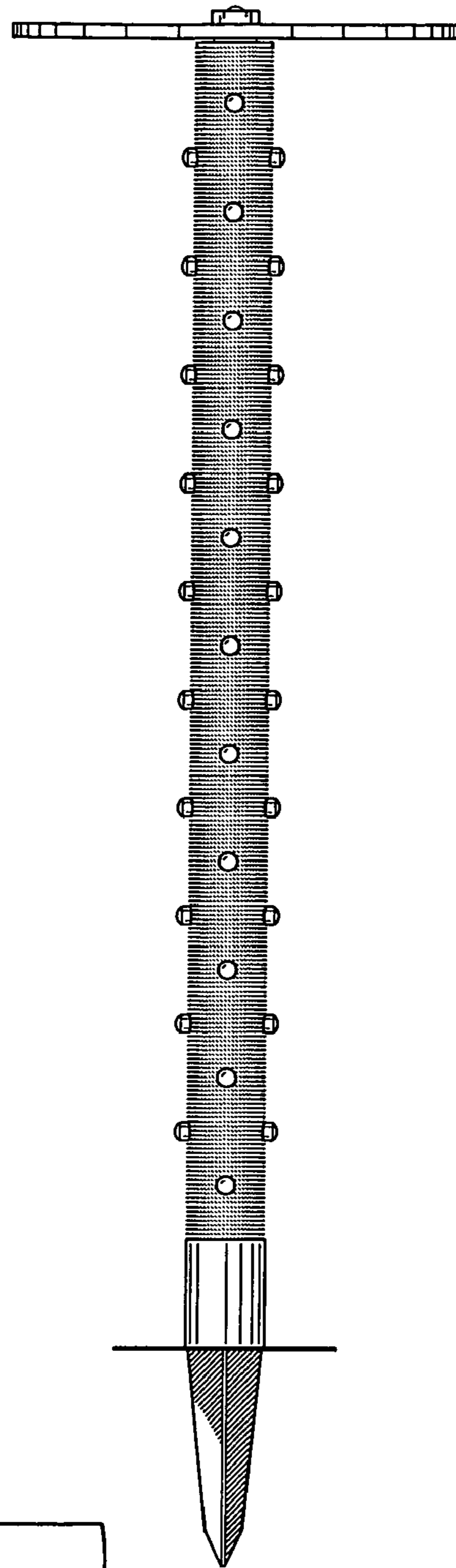


FIG. 4

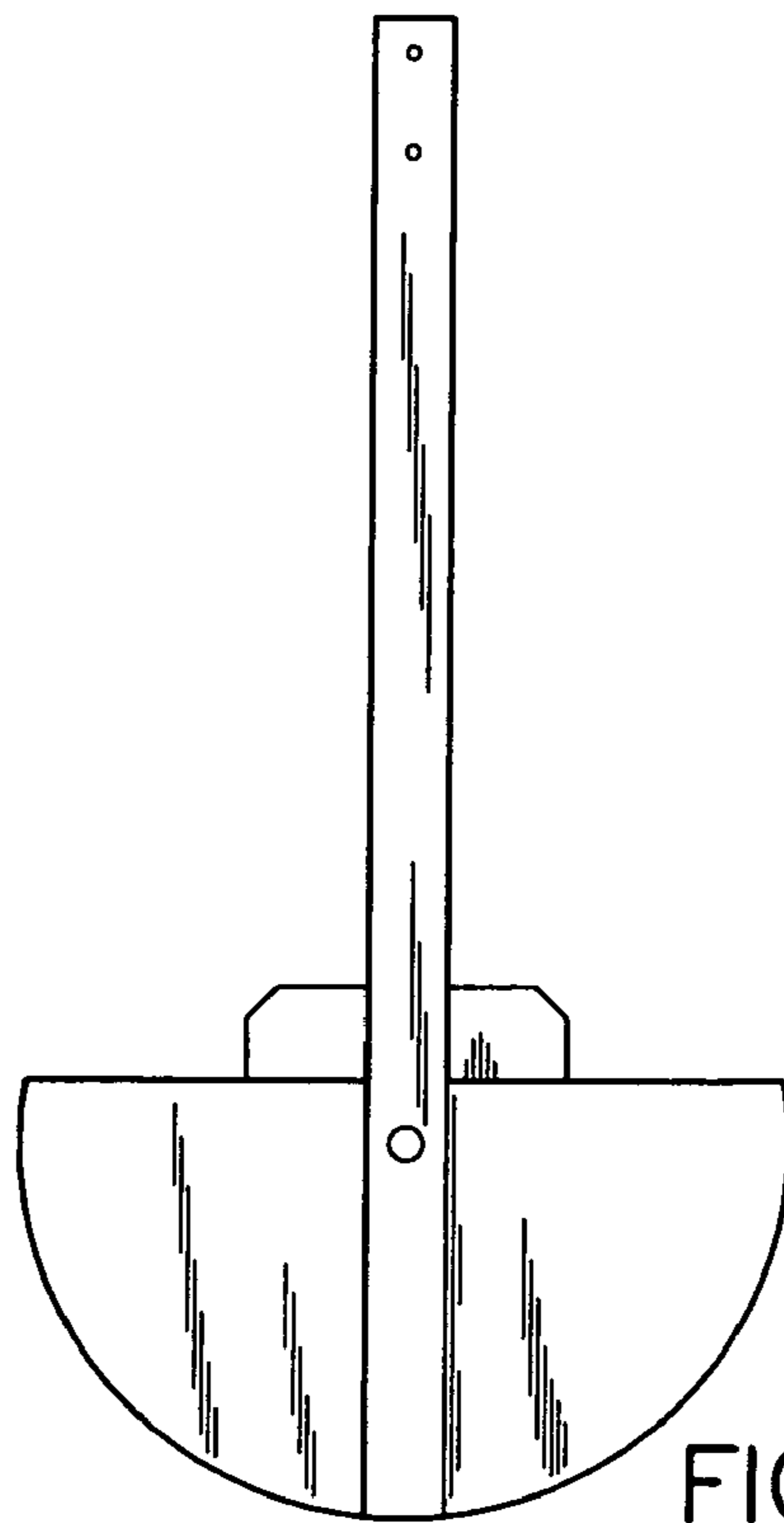


FIG. 5