



US00D573307S

(12) **United States Design Patent**  
**Cho**

(10) **Patent No.:** **US D573,307 S**  
(45) **Date of Patent:** **\*\* Jul. 15, 2008**

(54) **MECHANICAL EYELASH CURLER**

(74) *Attorney, Agent, or Firm*—Maria Erlinda Co Sarno

(76) Inventor: **Yong Hoon Cho**, 604 Murfield Ct.,  
Fullerton, CA (US) 92835

(57) **CLAIM**

The ornamental design for a mechanical eyelash curler, as shown and described.

(\*\*) Term: **14 Years**

(21) Appl. No.: **29/291,722**

**DESCRIPTION**

(22) Filed: **Sep. 12, 2007**

FIG. 1 is a perspective view of the mechanical eyelash curler showing my new design;

(51) **LOC (8) Cl.** ..... **28-03**

(52) **U.S. Cl.** ..... **D28/36**

FIG. 2 is a front view of the mechanical eyelash curler thereof;

(58) **Field of Classification Search** ..... 132/216,  
132/217; D28/36

FIG. 3 is a right side view of the mechanical eyelash curler identical to the left side view of the mechanical eyelash curler thereof;

See application file for complete search history.

FIG. 4 is a rear end view of the mechanical eyelash curler thereof;

(56) **References Cited**

**U.S. PATENT DOCUMENTS**

D439,013 S \* 3/2001 Cho ..... D28/36

D443,110 S \* 5/2001 Watanabe et al. .... D28/36

D492,066 S \* 6/2004 Cho ..... D28/36

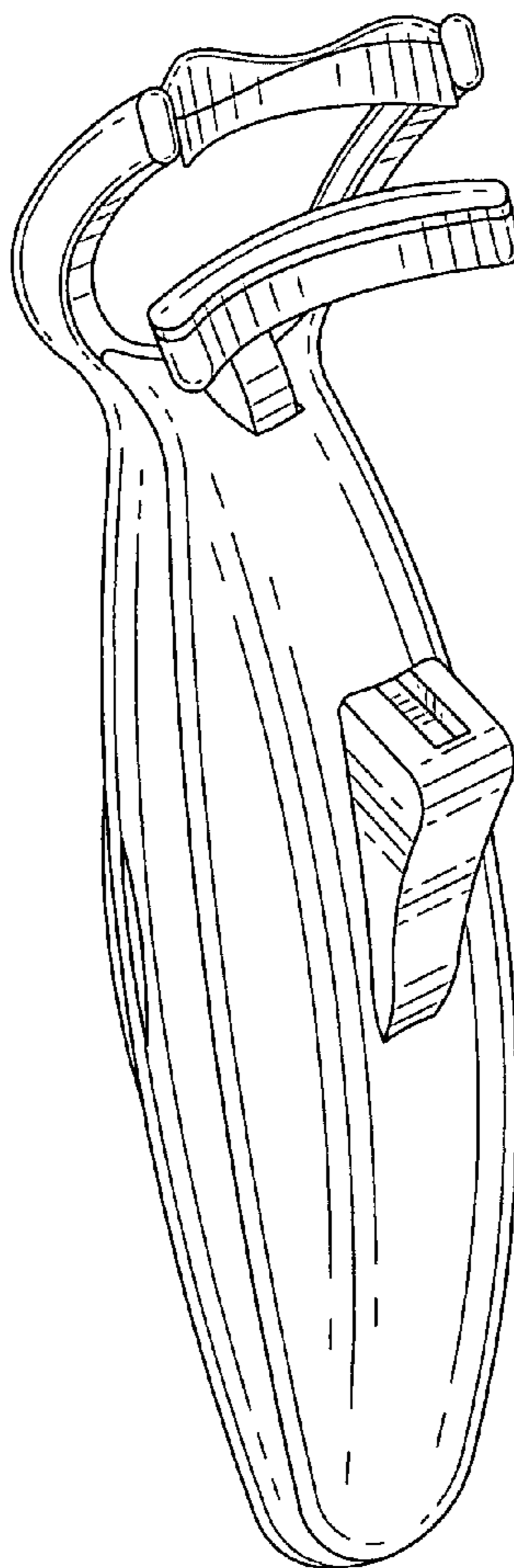
FIG. 5 is a top view of the mechanical eyelash curler thereof; and,

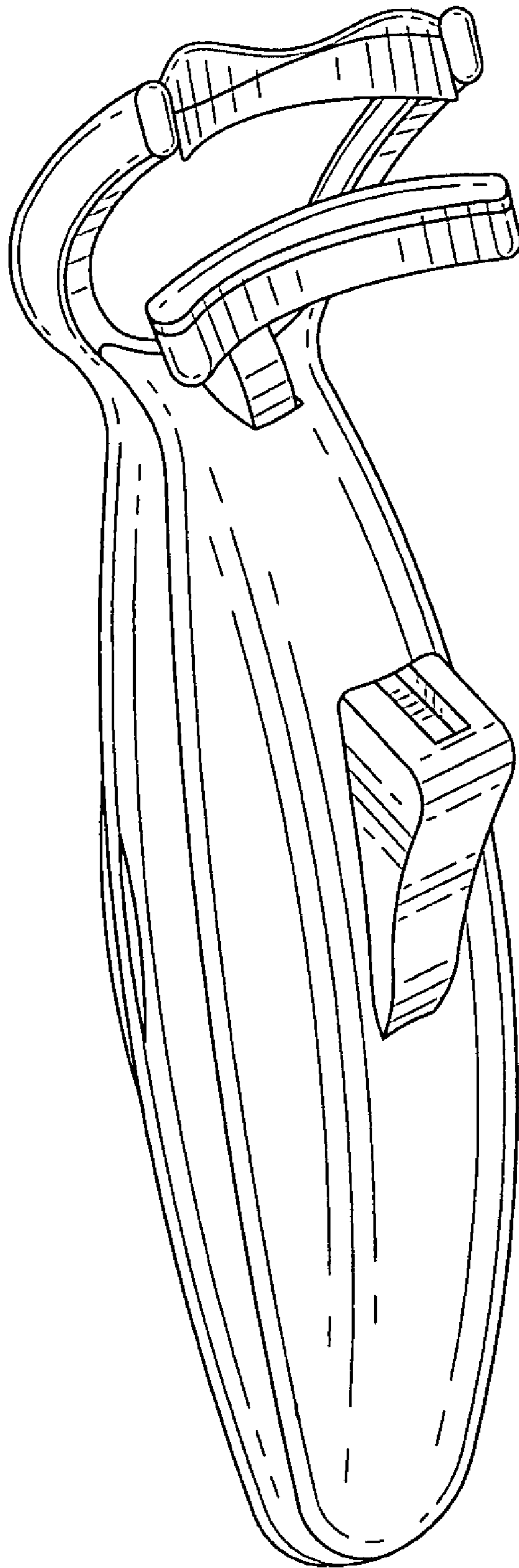
\* cited by examiner

FIG. 6 is a bottom view of the mechanical eyelash curler thereof.

*Primary Examiner*—Jennifer Rivard

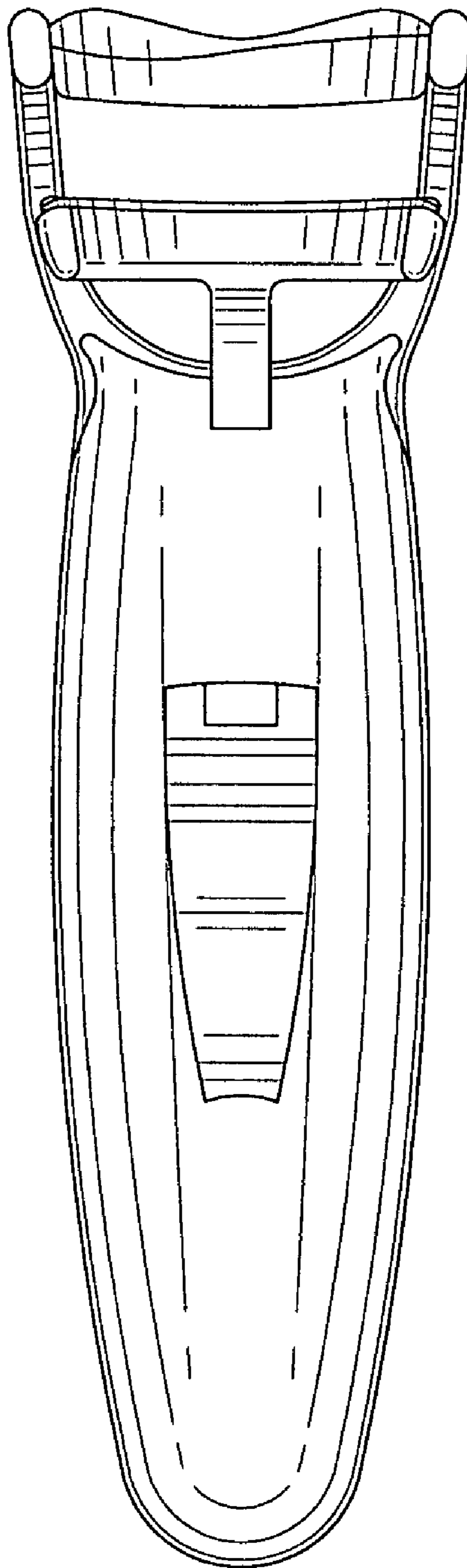
**1 Claim, 5 Drawing Sheets**



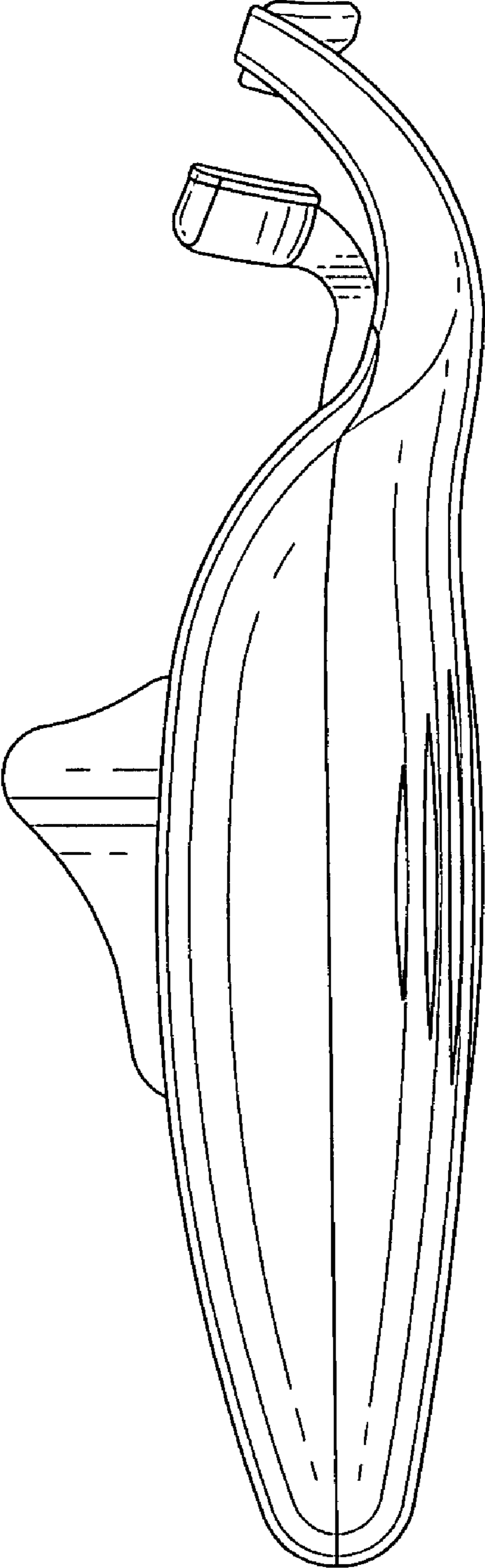


*FIG. 1*

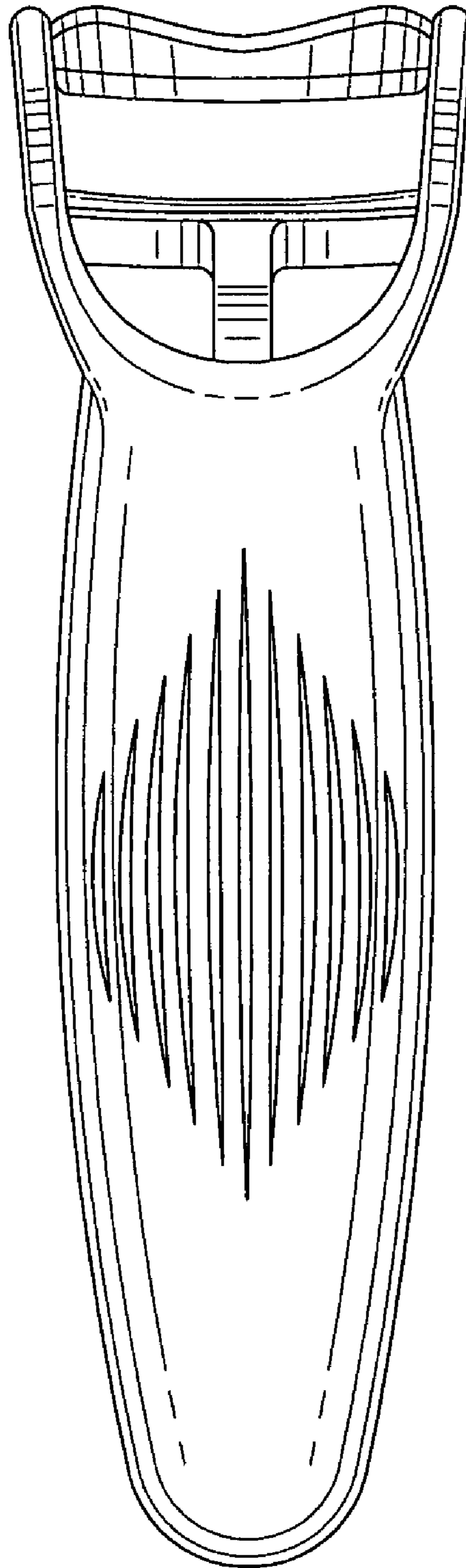
*FIG. 2*

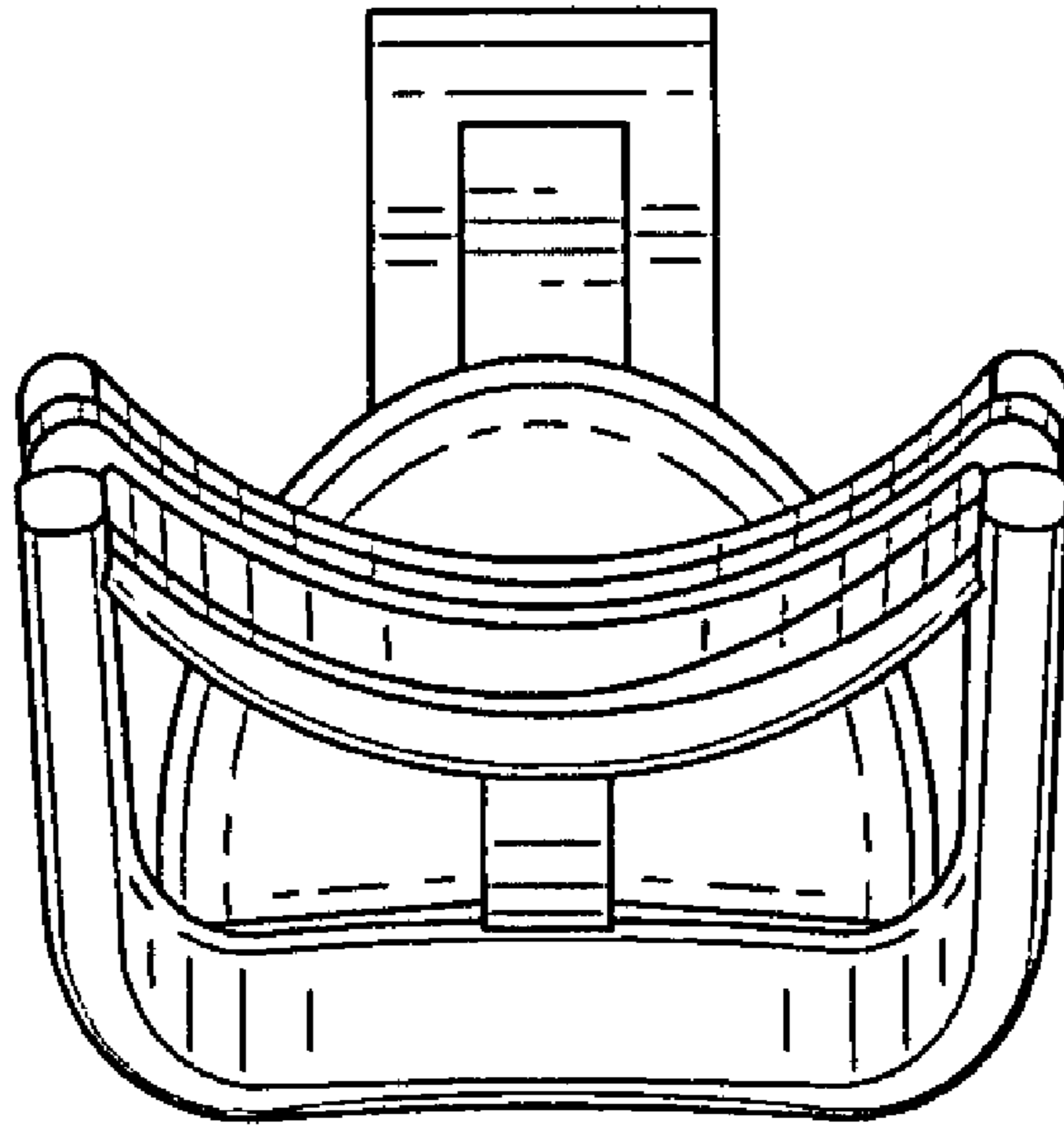


*FIG. 3*

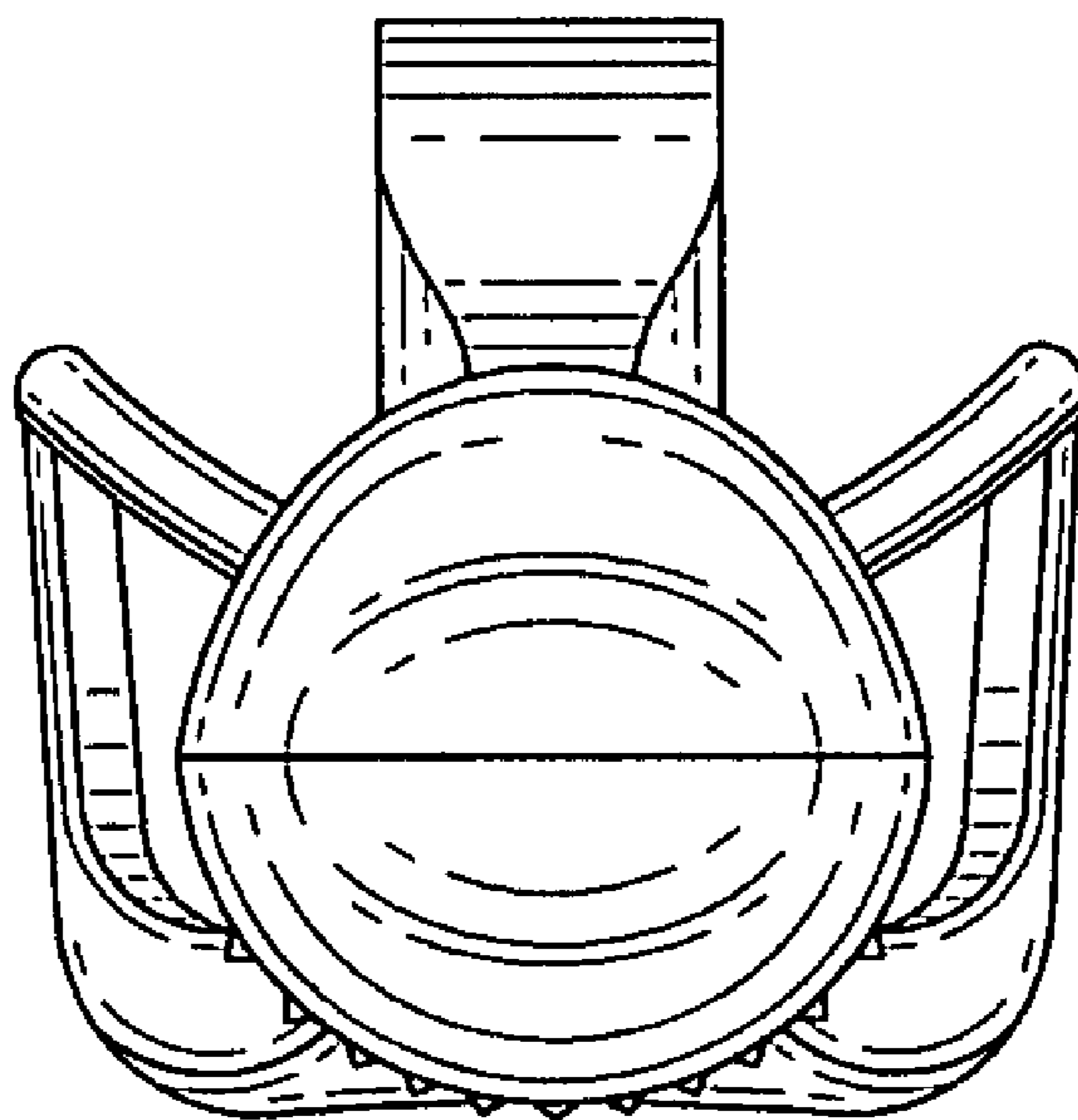


*FIG. 4*





*FIG. 5*



*FIG. 6*