



US00D573305S

(12) **United States Design Patent**
Srivastava

(10) **Patent No.:** **US D573,305 S**

(45) **Date of Patent:** **** Jul. 15, 2008**

(54) **HAIR STYLING TOOL**

(75) Inventor: **Priti Srivastava**, White Plains, NY (US)

(73) Assignee: **Each2Each, Inc.**, White Plains, NY (US)

(**) Term: **14 Years**

(21) Appl. No.: **29/253,723**

(22) Filed: **Feb. 10, 2006**

(51) **LOC (8) Cl.** **28-03**

(52) **U.S. Cl.** **D28/10**

(58) **Field of Classification Search** D28/25,
D28/32, 33-43, 65, 68; D2/865, 881, 883,
D2/884; D11/184, 202; 132/101, 126, 128,
132/129, 130, 131, 144, 148, 219, 273-284;
428/4, 5

See application file for complete search history.

(56) **References Cited**

U.S. PATENT DOCUMENTS

2,626,855	A *	1/1953	Hand	436/20
D186,257	S *	9/1959	Solomon	D28/39
D207,245	S *	3/1967	Johnston	D7/683
D294,072	S *	2/1988	Stern et al.	D28/65
5,036,870	A *	8/1991	Edmark	132/273
5,289,834	A *	3/1994	Lawrence	132/212
D364,941	S *	12/1995	Saulsbury	D28/65
D367,545	S *	2/1996	Burke	D28/65
D367,590	S *	3/1996	Brookhouse	D7/683
D370,743	S *	6/1996	Huie	D28/65
D378,446	S *	3/1997	Lutzker	D28/65
D392,420	S *	3/1998	Ram	D28/65
5,806,538	A *	9/1998	Keltner	132/210

D417,749	S *	12/1999	Kellmann	D28/10
D437,459	S *	2/2001	Inaba	D28/65
D486,415	S *	2/2004	Curtis	D11/2
6,782,896	B1 *	8/2004	Grimes	132/212
6,848,453	B2 *	2/2005	Hampton	132/321
D507,380	S *	7/2005	Le	D28/65

* cited by examiner

Primary Examiner—Janice E. Seeger

Assistant Examiner—Zenia Bennett

(74) *Attorney, Agent, or Firm*—Lackebach Siegel, LLP

(57) **CLAIM**

The ornamental design for a hair styling tool, as shown and described.

DESCRIPTION

This application claims priority to U.S. patent application Ser. No. 11/350,233 filed Feb. 7, 2006.

FIG. 1 is a perspective view of a hair styling tool showing my new design;

FIG. 2 is a top elevational view of the hair styling tool of FIG. 1.

FIG. 3 is a front elevational view thereof;

FIG. 4 is a left side elevational view thereof.

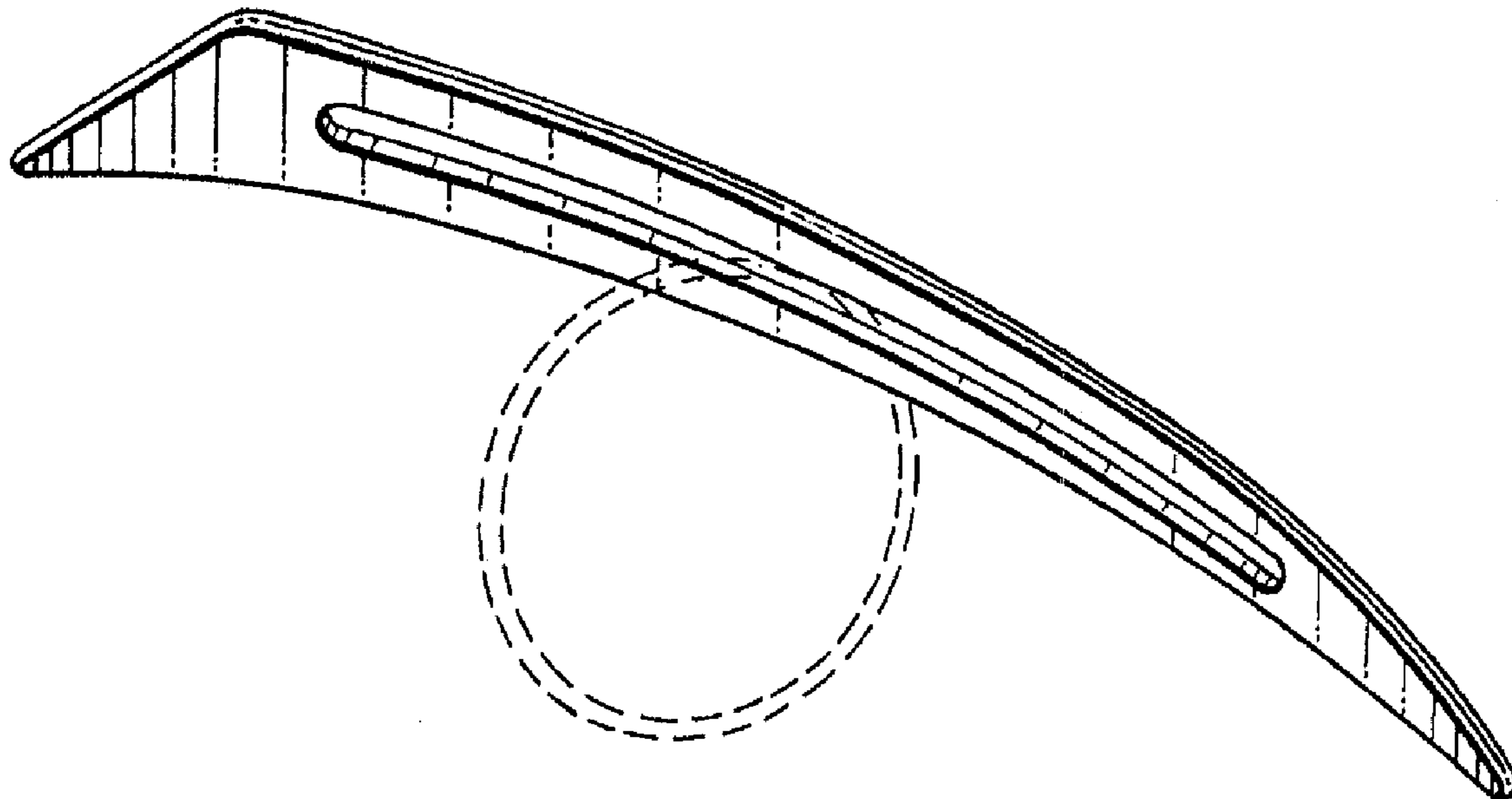
FIG. 5 is a right side elevational view thereof.

FIG. 6 is a bottom side elevational view thereof; and,

FIG. 7 is a rear elevational view thereof.

The broken lines in the drawing are for illustrative purposes only and form no part of the claimed design.

1 Claim, 2 Drawing Sheets



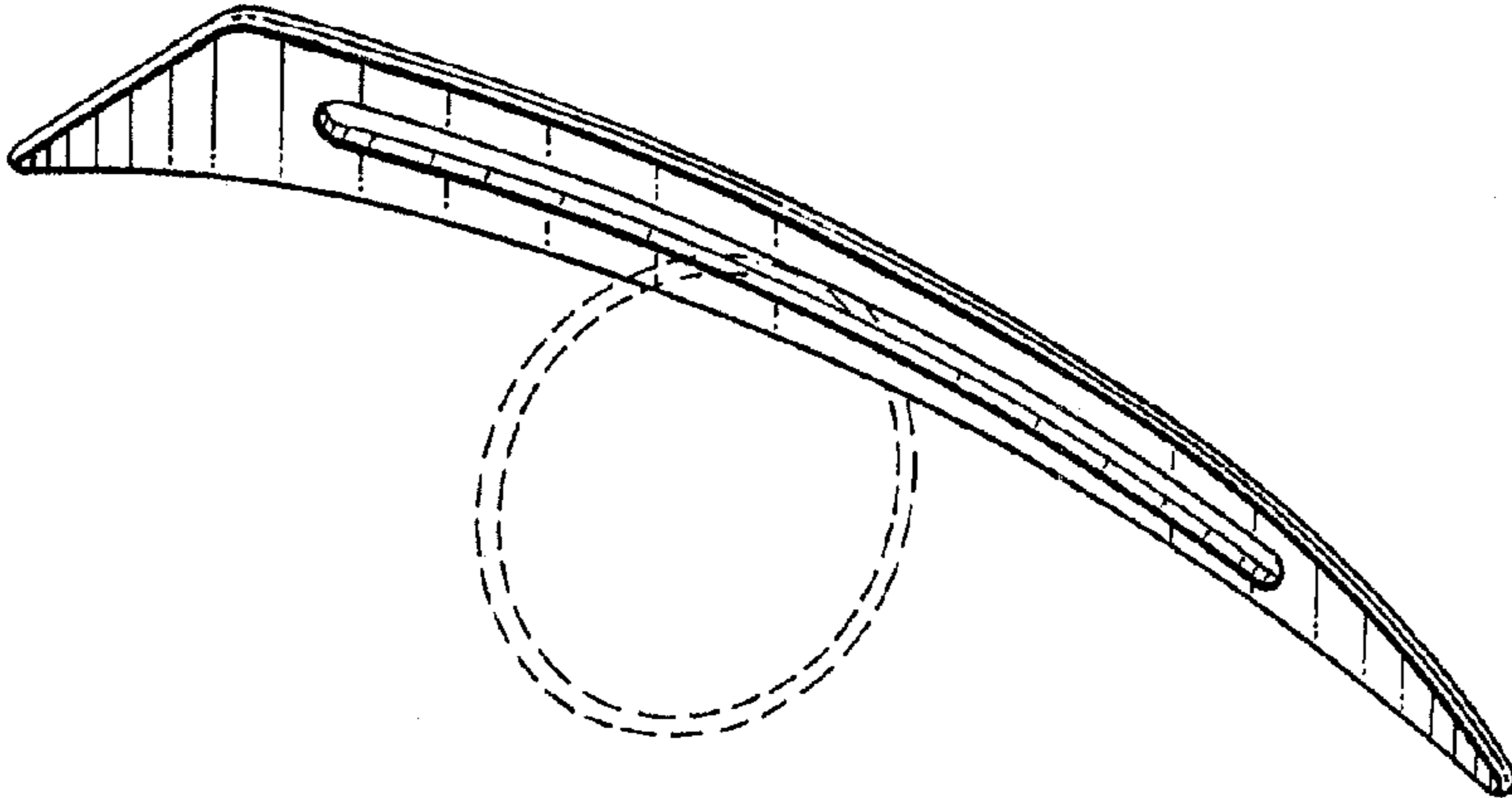


FIG. 1

FIG. 2

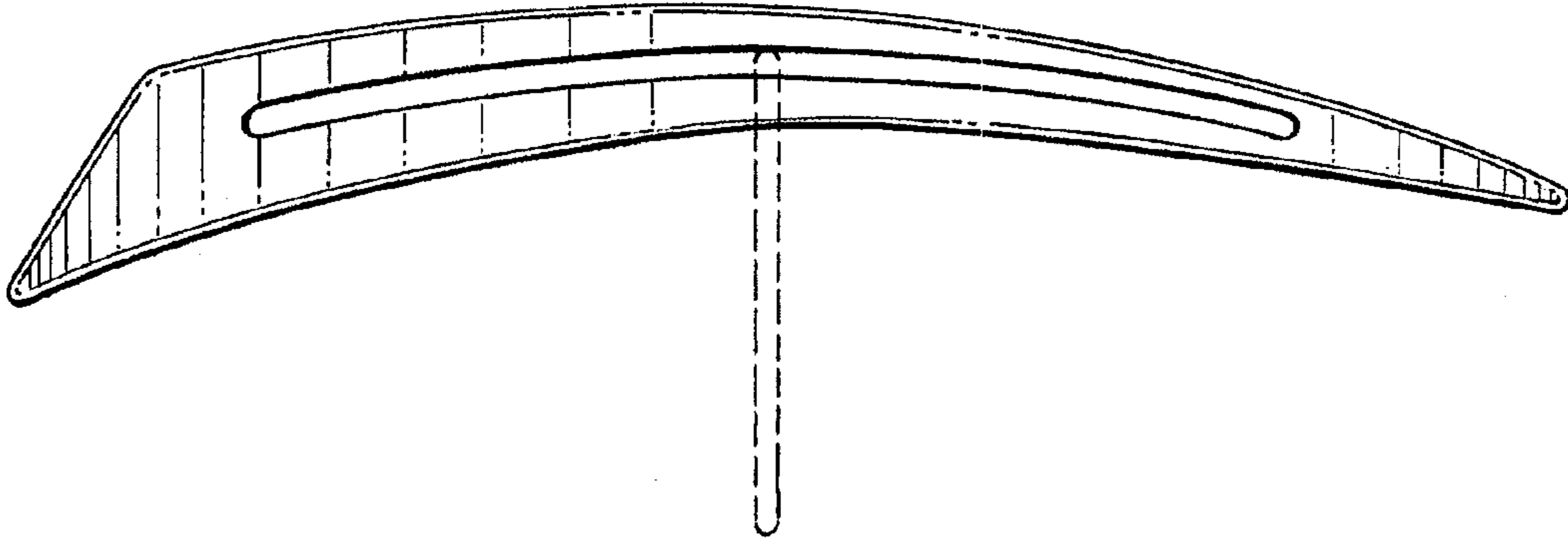


FIG. 3

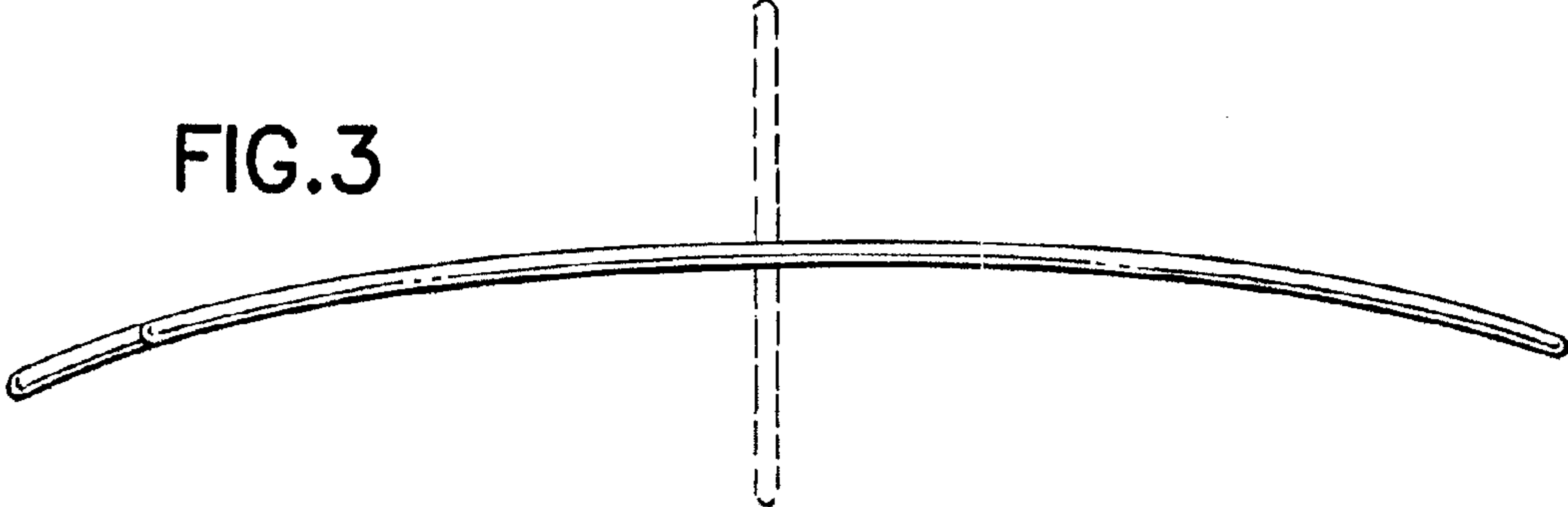


FIG.4

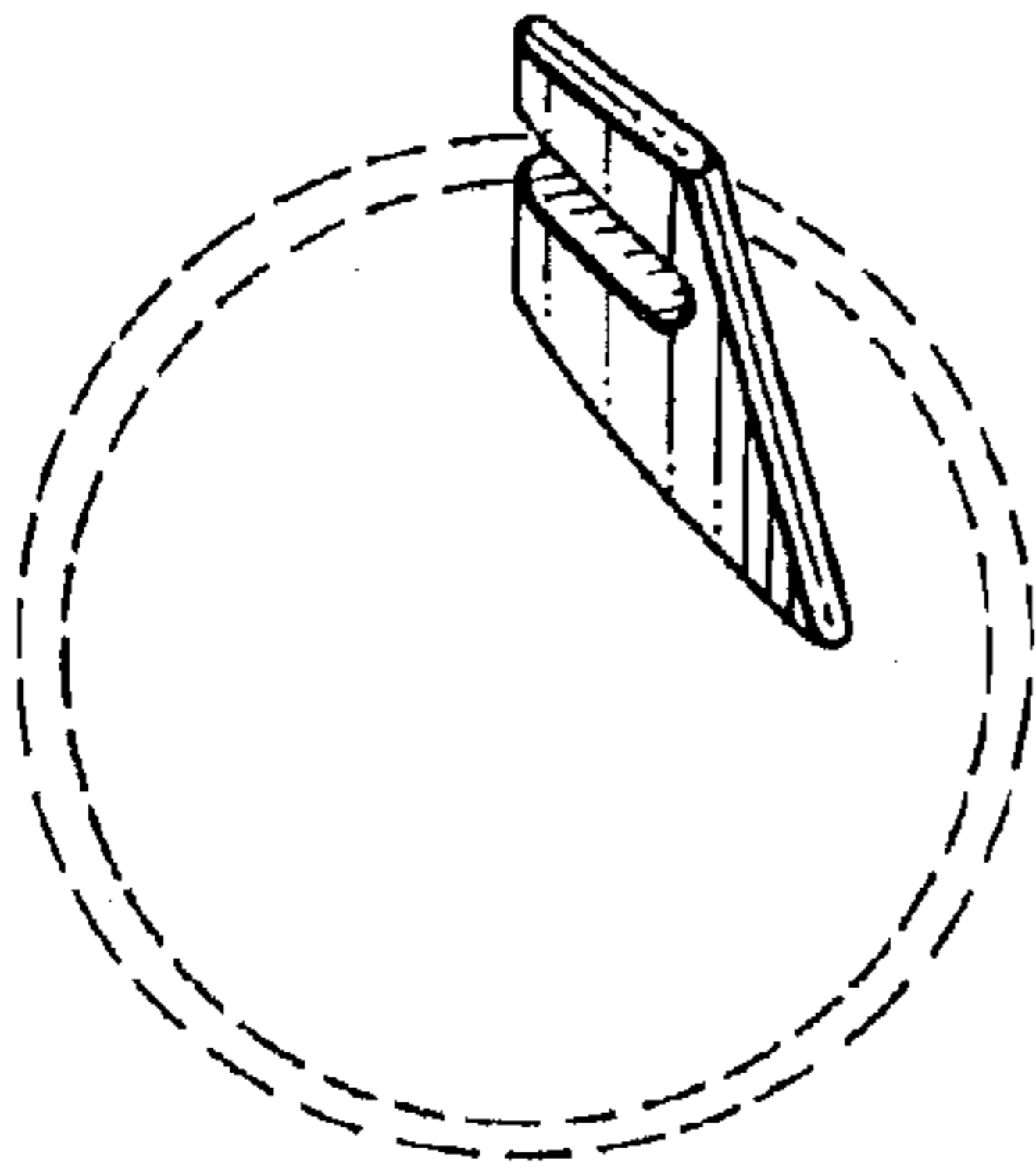


FIG.5

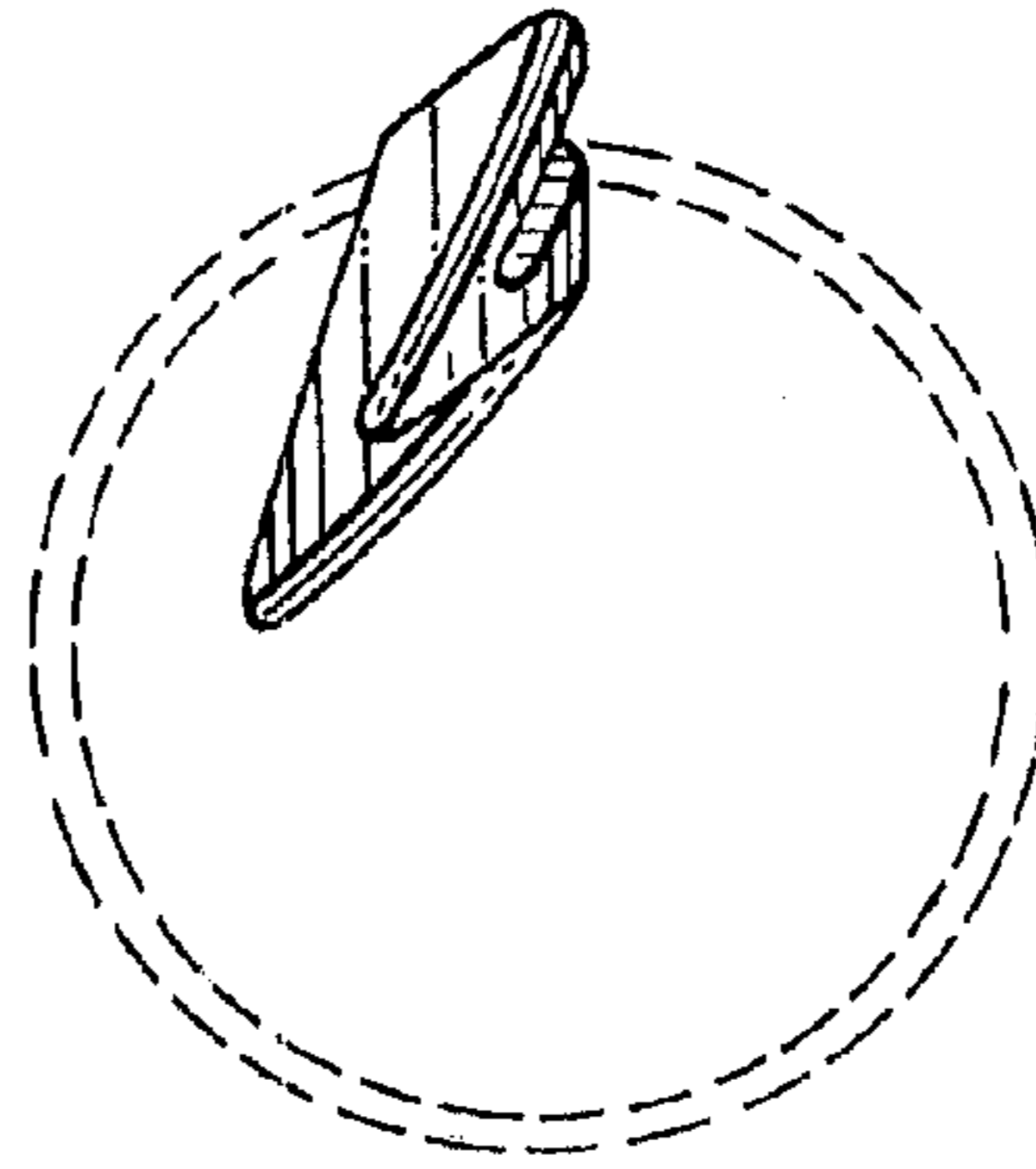


FIG.6

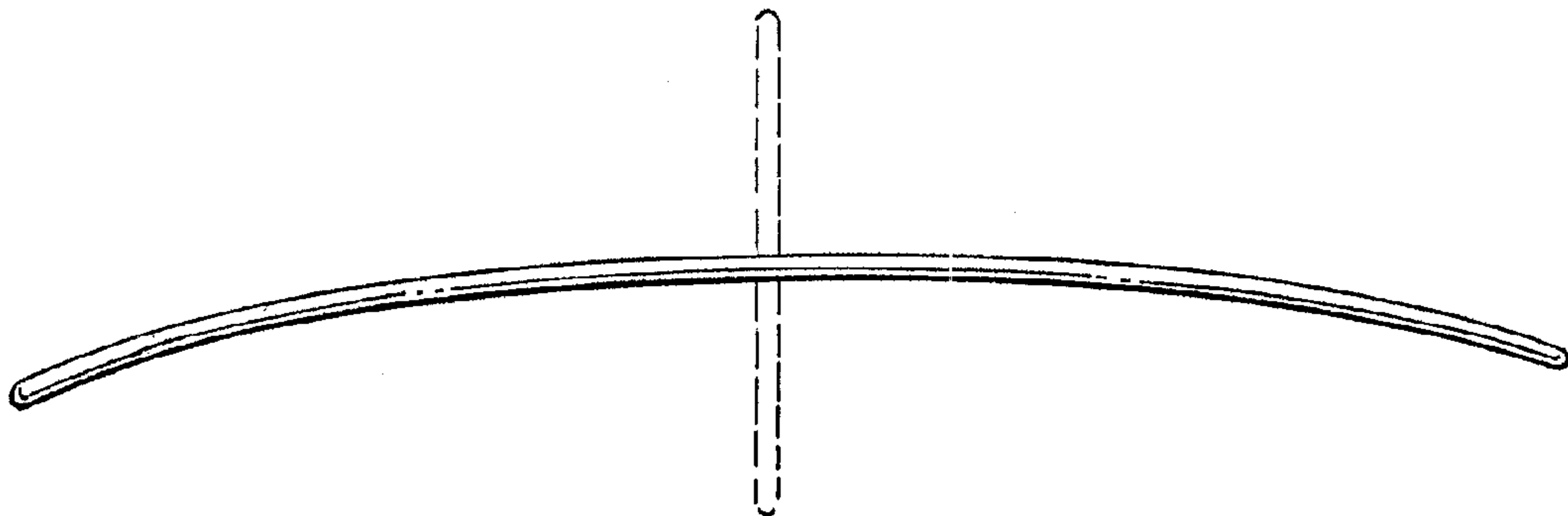
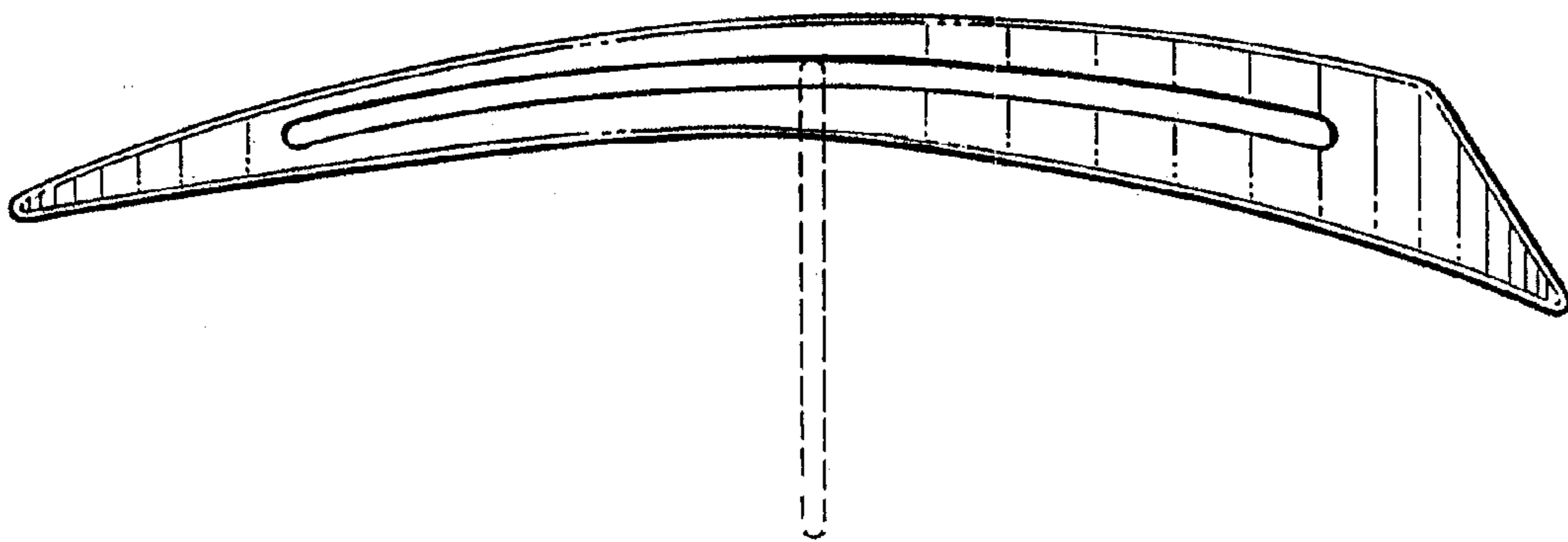


FIG.7