



US00D573302S

(12) **United States Design Patent**
Donne

(10) **Patent No.:** **US D573,302 S**
(45) **Date of Patent:** **** Jul. 15, 2008**

(54) **COMBINED CIGAR HOLDER AND DIVOT REPAIR TOOL**

Primary Examiner—Jennifer Rivard
(74) *Attorney, Agent, or Firm*—Iandiorio Teska & Coleman

(75) **Inventor:** **Peter Delle Donne**, 9848 Bellasera Cir., Myrtle Beach, SC (US) 29579

(57) **CLAIM**

(73) **Assignee:** **Peter Delle Donne**, Myrtle Beach, SC (US)

The ornamental design for the combined cigar holder and divot repair tool, as shown and described.

(**) **Term:** **14 Years**

DESCRIPTION

(21) **Appl. No.:** **29/289,996**

FIG. 1 is a front perspective view of the combined cigar holder and divot repair tool angled rearward and to the left in accordance with this invention;

(22) **Filed:** **Aug. 9, 2007**

FIG. 2 is a front view of the combined cigar holder and divot repair tool in accordance with this invention;

(51) **LOC (8) Cl.** **27-06**

(52) **U.S. Cl.** **D27/183; D21/793**

FIG. 3 is a left side view of the combined cigar holder and divot repair tool in accordance with this invention;

(58) **Field of Classification Search** D27/172,
D27/183, 187, 192; D21/793; 131/257,
131/259; 473/408

FIG. 4 is a right side view of the combined cigar holder and divot repair tool in accordance with this invention;

See application file for complete search history.

FIG. 5 is another front perspective view of the combined cigar holder and divot repair tool angled to the left in accordance with this invention;

(56) **References Cited**

U.S. PATENT DOCUMENTS

D345,776	S	*	4/1994	Williams	D21/793
D399,597	S	*	10/1998	Craven	D27/183
D401,379	S	*	11/1998	Goldoftas	D27/183
6,022,280	A	*	2/2000	Arenburg et al.	473/408
D477,377	S	*	7/2003	D'Aguanno	D21/793
6,645,092	B1	*	11/2003	Hendren	473/408
6,796,913	B2	*	9/2004	Tummillo	473/408
D520,587	S	*	5/2006	Steinhobel	D21/793
2001/0029213	A1	*	10/2001	Hendren	473/408
2005/0107190	A1	*	5/2005	Bores	473/408
2006/0009313	A1	*	1/2006	Parks et al.	473/408

FIG. 6 is a bottom perspective view of the combined cigar holder and divot repair tool angled to the left in accordance with this invention;

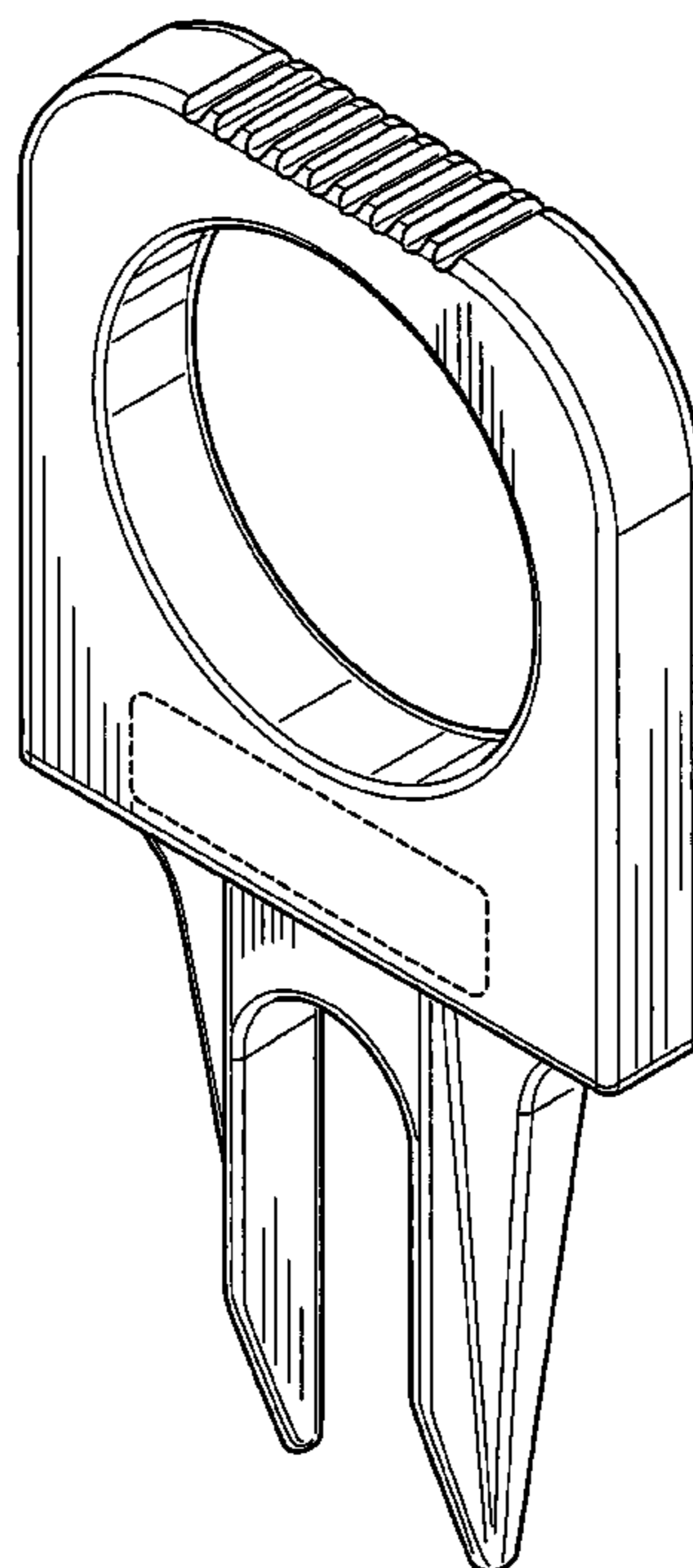
FIG. 7 is a bottom view of the combined cigar holder and divot repair tool in accordance with this invention; and,

FIG. 8 is a rear view of the combined cigar holder and divot repair tool in accordance with this invention.

The broken line showing of a printed text area is for illustrative purposes only and forms no part of the claimed design.

* cited by examiner

1 Claim, 5 Drawing Sheets



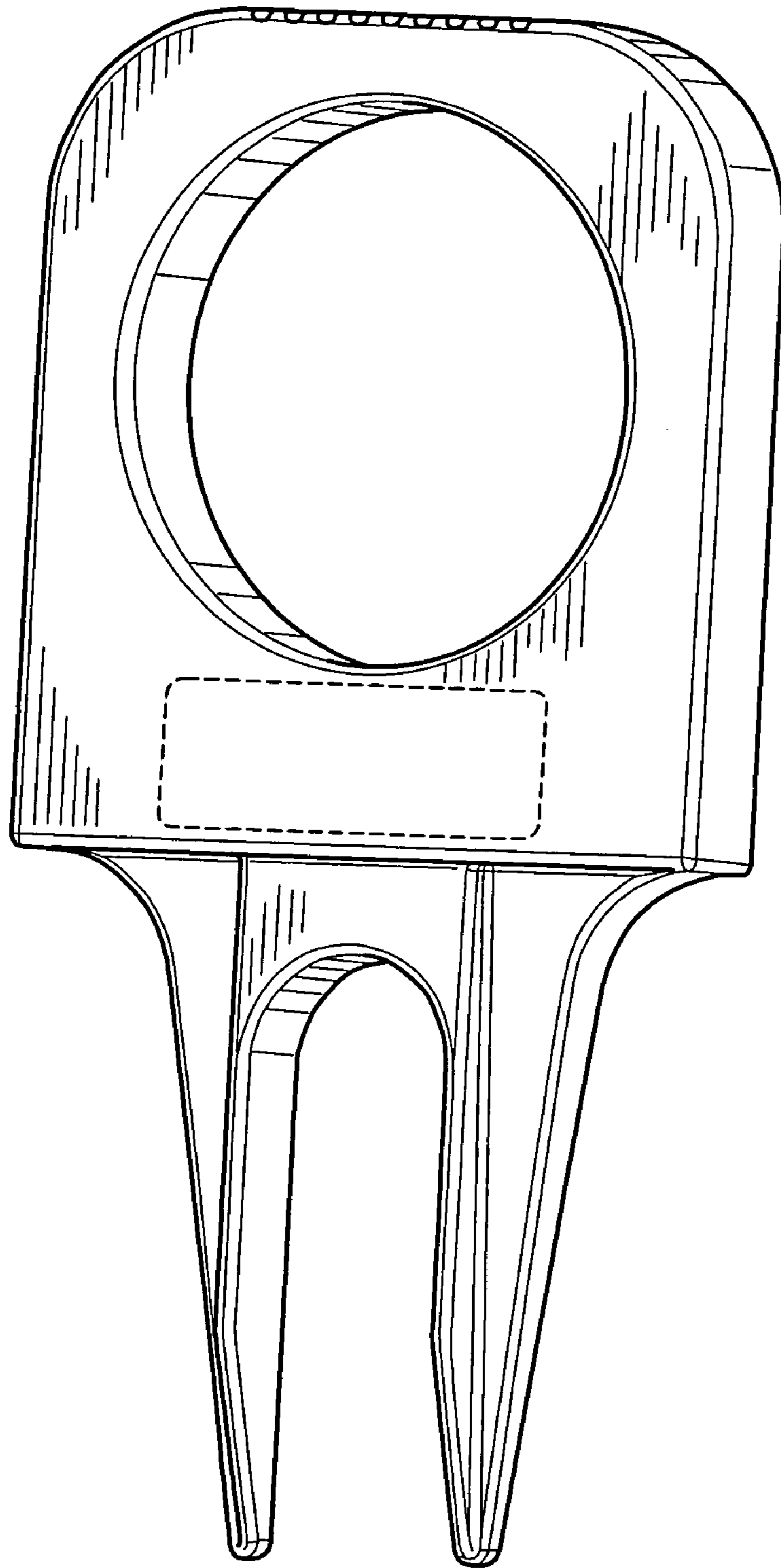


FIG. 1

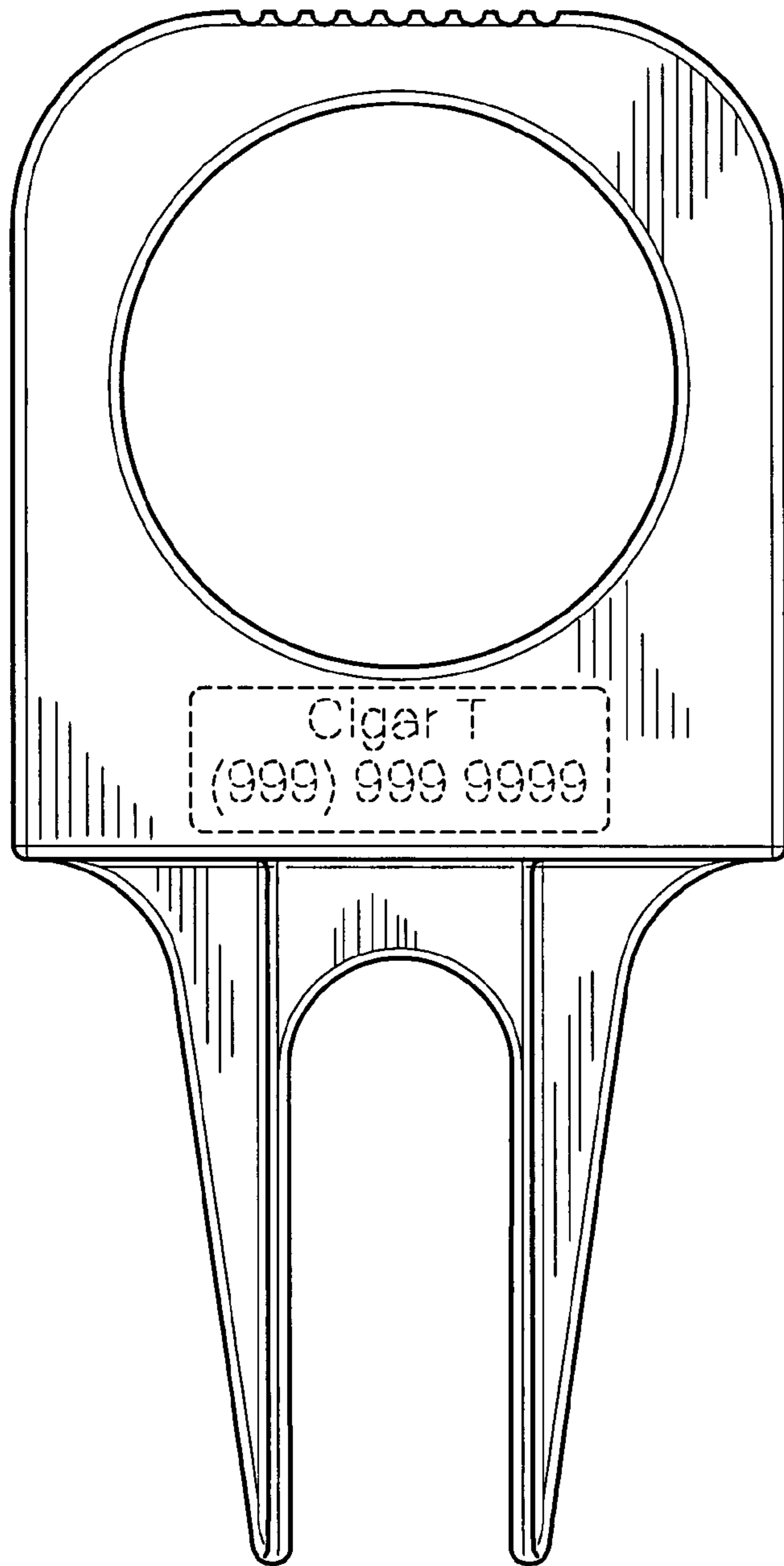


FIG. 2

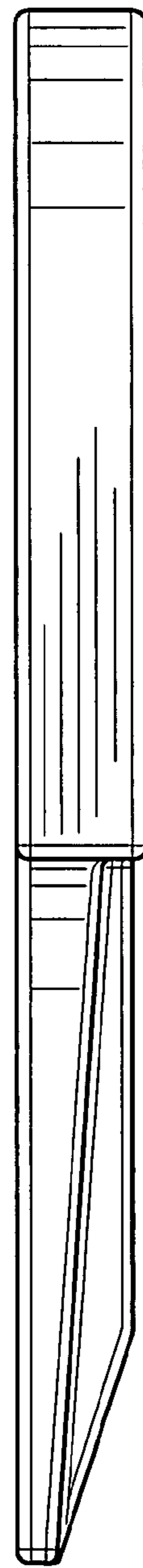


FIG. 3

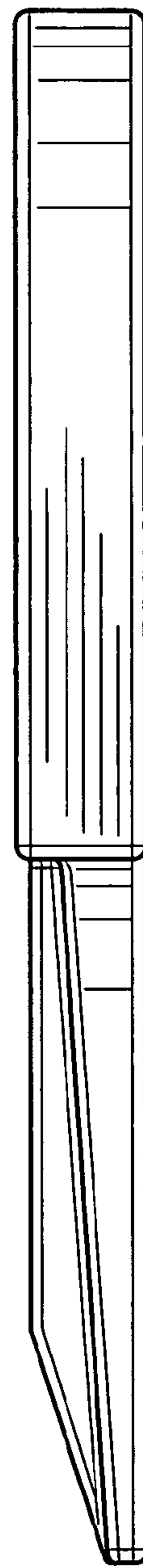


FIG. 4

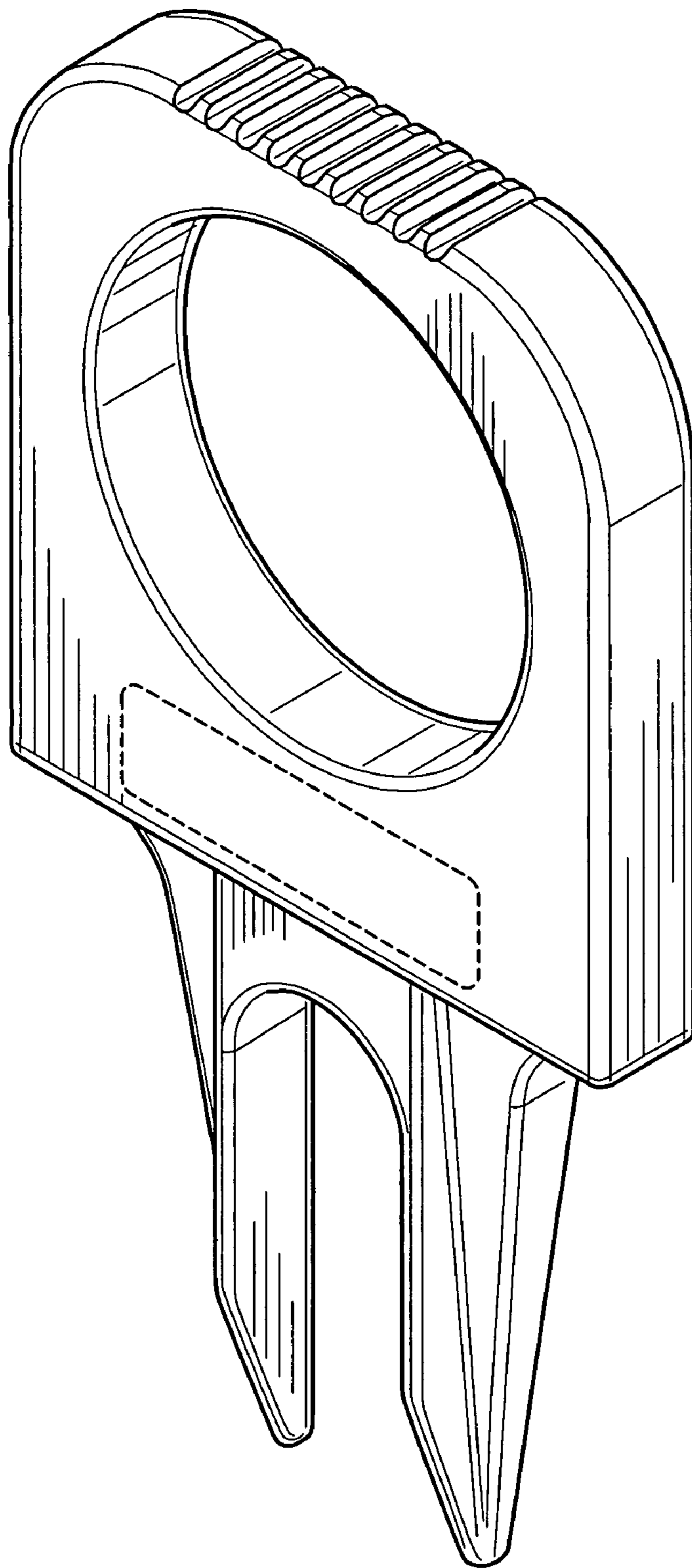


FIG. 5

FIG. 6

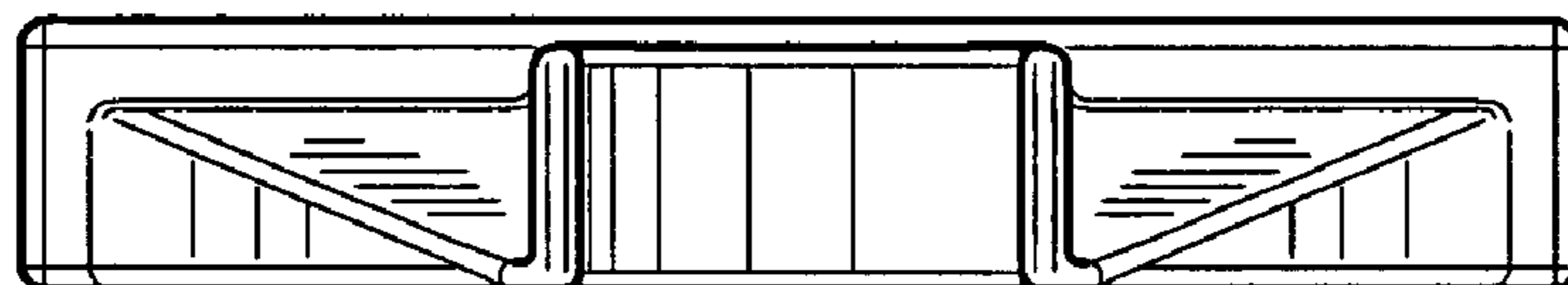
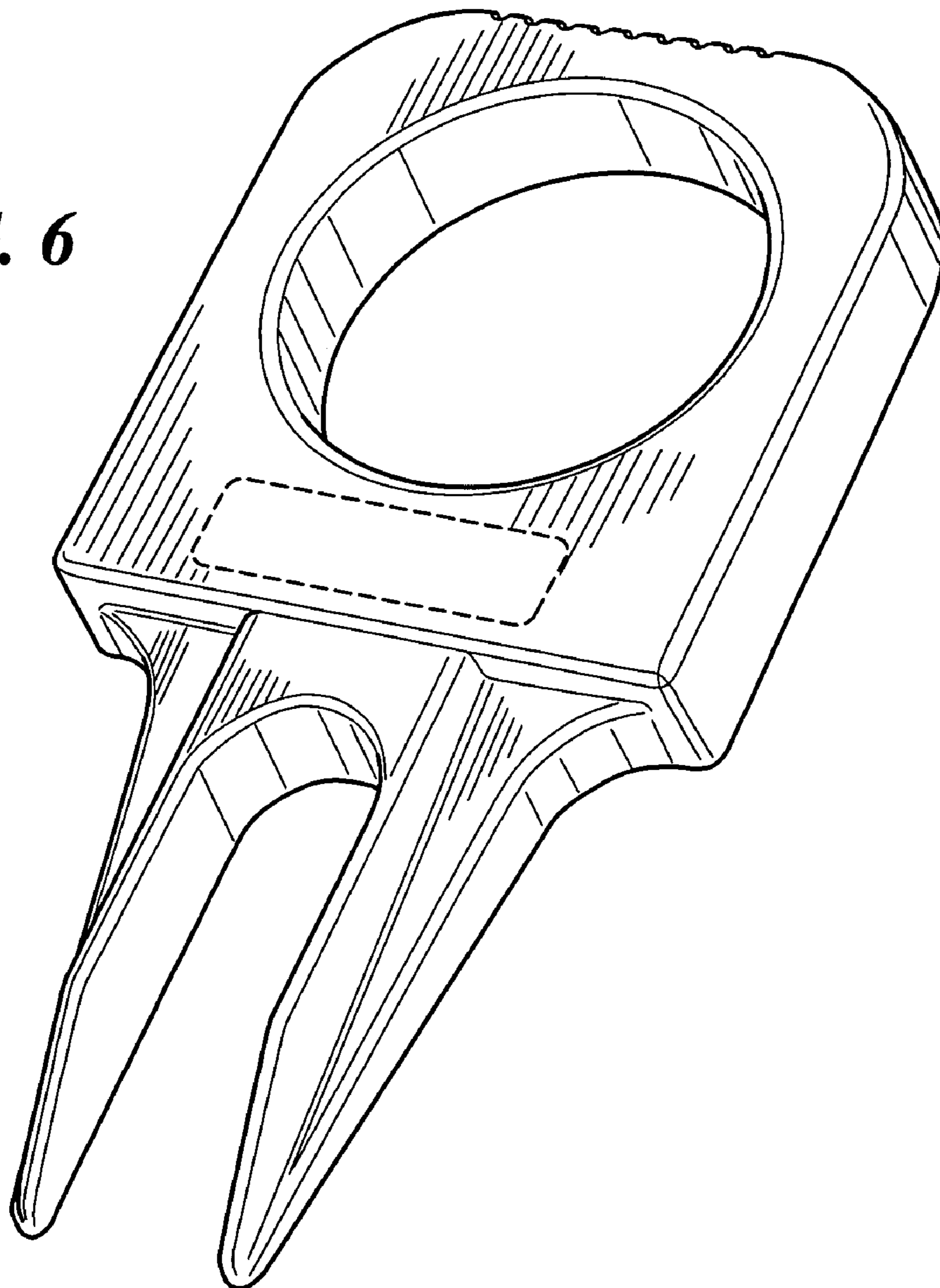


FIG. 7

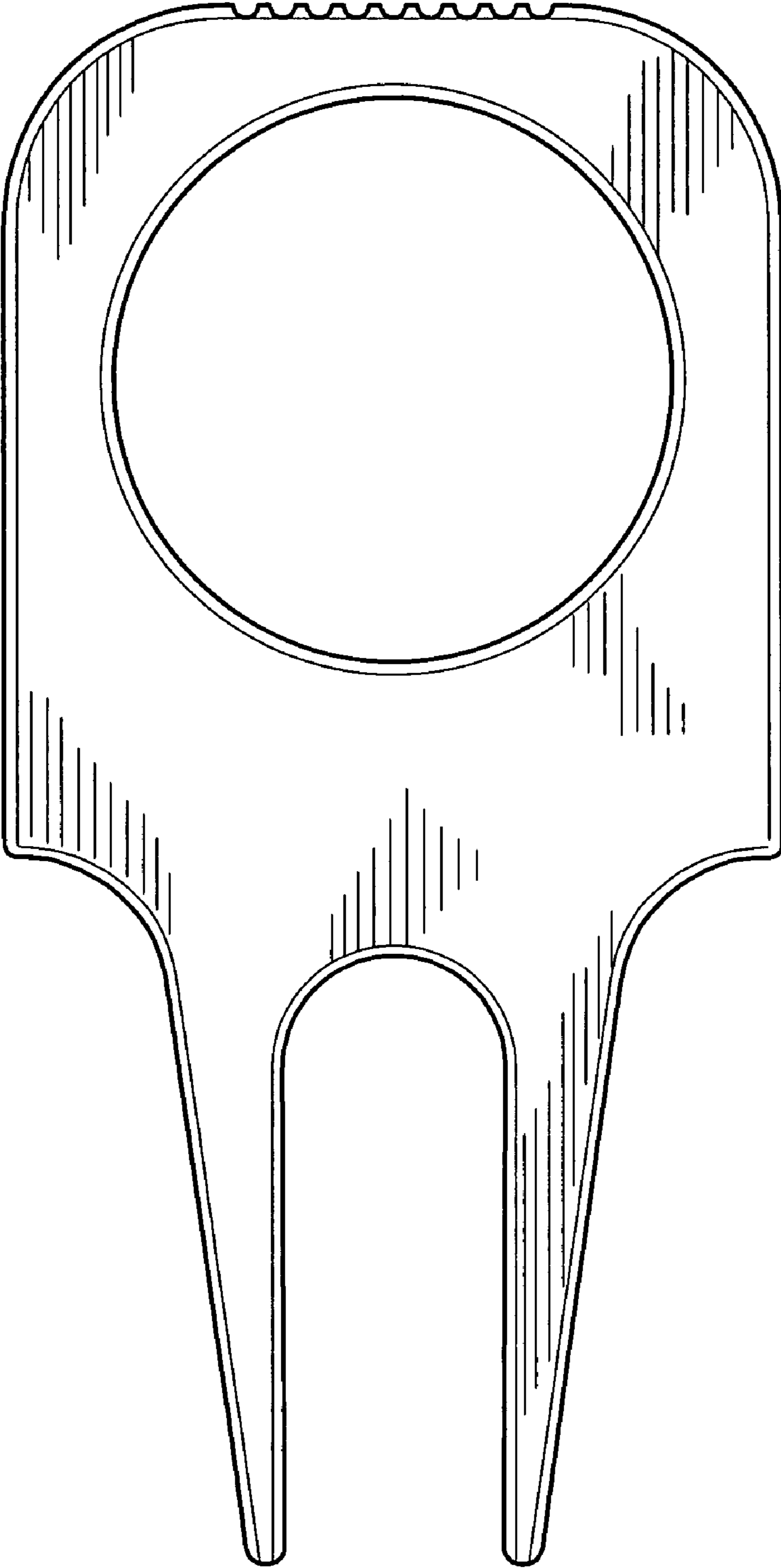


FIG. 8