



US00D573300S

(12) **United States Design Patent**
Kwok

(10) **Patent No.:** **US D573,300 S**

(45) **Date of Patent:** **** Jul. 15, 2008**

(54) **LIGHTER**

D415,814 S * 10/1999 Re D22/124

(75) Inventor: **Yuen Tung Kwok**, Kowloon (HK)

* cited by examiner

(73) Assignee: **Kwong Chak Fat Manufactory Ltd.**,
Kowloon (HK)

Primary Examiner—Jennifer Rivard

(**) Term: **14 Years**

(57) **CLAIM**

(21) Appl. No.: **29/281,503**

The ornamental design for a lighter, as shown.

(22) Filed: **Jun. 25, 2007**

DESCRIPTION

(51) **LOC (8) Cl.** **27-05**

FIG. 1 is a front elevational view of a lighter showing my new design;

(52) **U.S. Cl.** **D27/148; D22/124**

FIG. 2 is a rear elevational view thereof;

(58) **Field of Classification Search** D27/139–161;
431/129, 143, 153, 253–256, 273–277; D22/124
See application file for complete search history.

FIG. 3 is a left side view thereof;

FIG. 4 is a right side view thereof;

FIG. 5 is a top plan view thereof;

FIG. 6 is a bottom plan view thereof; and,

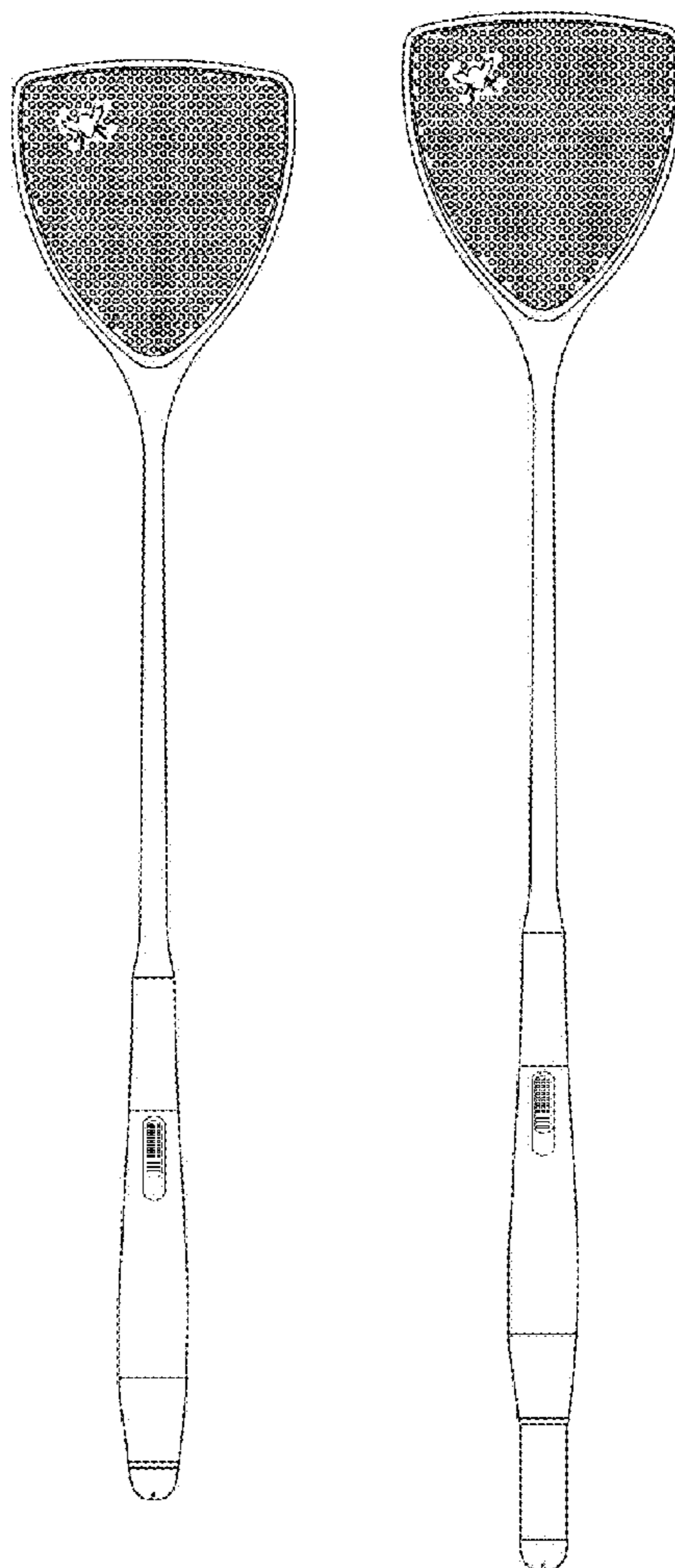
FIG. 7 is a front elevational view thereof with the handle extended.

(56) **References Cited**

U.S. PATENT DOCUMENTS

- 1,685,990 A * 10/1928 Emanuel D22/124
- D167,658 S * 9/1952 Roop D22/124
- 4,510,711 A * 4/1985 Bucek D22/124

1 Claim, 3 Drawing Sheets



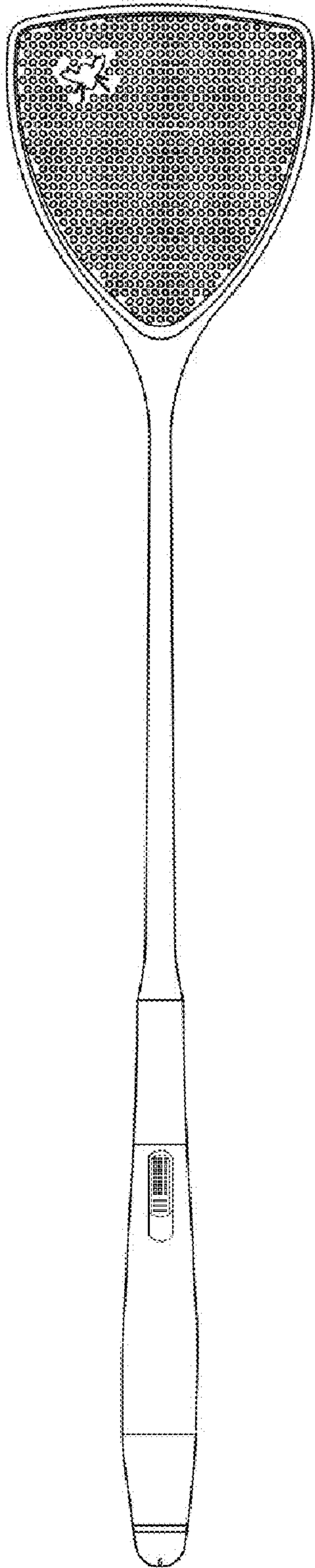


FIG. 1

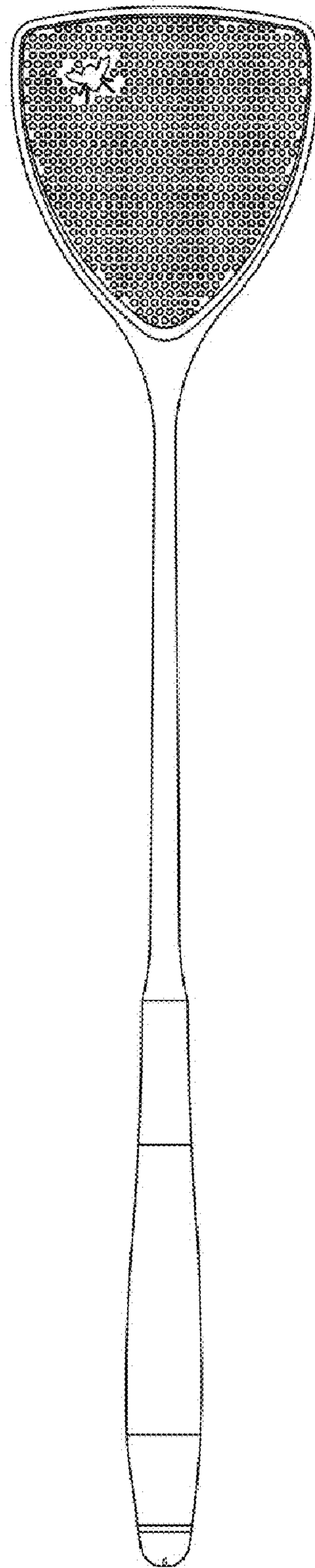


FIG. 2

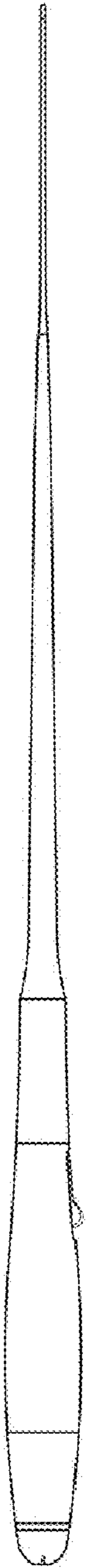


FIG. 3

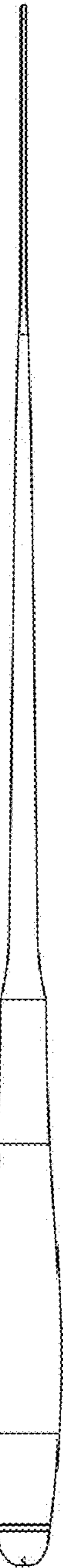


FIG. 4

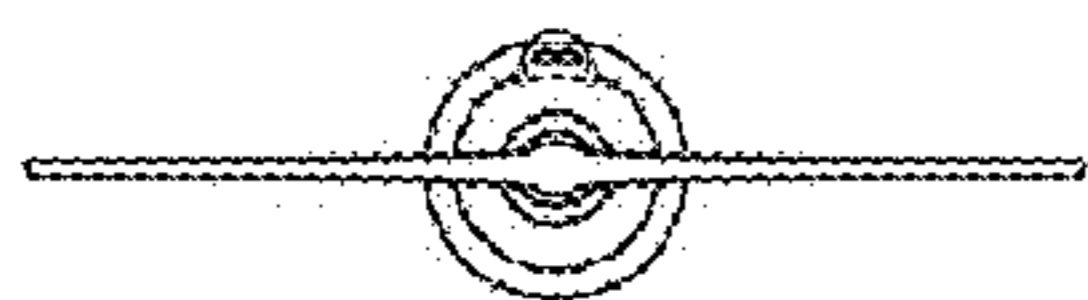


FIG. 5



FIG. 6

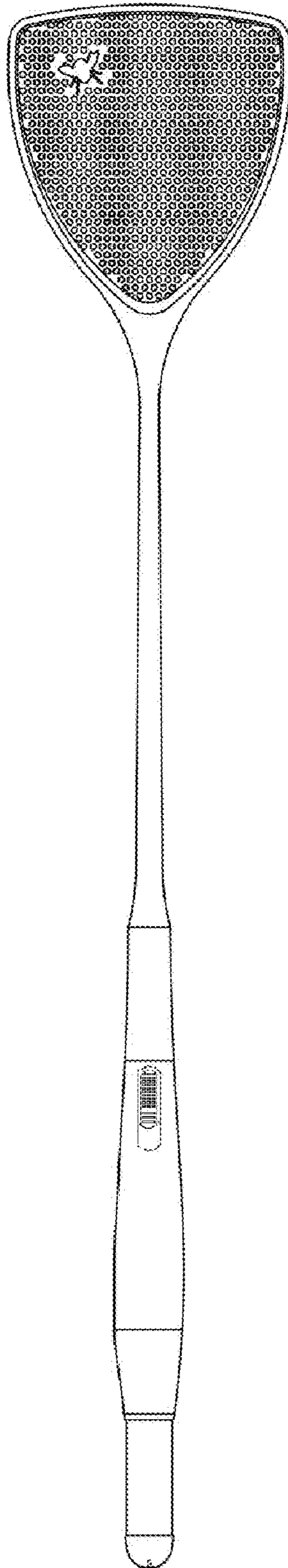


FIG. 7