



US00D573299S

(12) **United States Design Patent**  
**Fanning**

(10) **Patent No.:** **US D573,299 S**

(45) **Date of Patent:** **\*\* Jul. 15, 2008**

(54) **LIGHT MODULE**

(75) **Inventor:** **Douglas Fanning**, 350 W. 47<sup>th</sup> St., Apt. 5B, New York, NY (US) 10036

(73) **Assignee:** **Douglas Fanning**, New York, NY (US)

(\*\*) **Term:** **14 Years**

(21) **Appl. No.:** **29/225,082**

(22) **Filed:** **Mar. 10, 2005**

(51) **LOC (8) Cl.** ..... **26-99**

(52) **U.S. Cl.** ..... **D26/153**

(58) **Field of Classification Search** ..... D26/139,  
D26/142, 152, 77, 76, 37, 123, 128, 120,  
D26/118, 113, 3, 28, 72, 124, 121, 122, 75,  
D26/79, 90, 105, 153; D13/180; 362/614,  
362/611, 612, 632, 555, 516, 147, 148, 216,  
362/217, 260, 291, 296, 297, 341, 346, 404,  
362/407, 431, 800

See application file for complete search history.

(56) **References Cited**

**U.S. PATENT DOCUMENTS**

D150,830	S *	9/1948	Duepner	.....	D26/77
3,737,654	A *	6/1973	Hawley	.....	362/311
D232,257	S *	7/1974	Paulson	.....	D26/80
D240,156	S *	6/1976	Von Serda	.....	D26/128
4,420,798	A *	12/1983	Herst et al.	.....	362/147
4,587,754	A *	5/1986	Ossner	.....	40/564
5,145,248	A *	9/1992	Chuan	.....	362/217
D356,382	S *	3/1995	Jaksich	.....	D26/75
D374,736	S *	10/1996	DeWinter	.....	D26/72
D374,737	S *	10/1996	Can	.....	D26/80
5,607,225	A *	3/1997	Halvatzis	.....	362/125
D397,818	S *	9/1998	Herst et al.	.....	D26/76
6,337,945	B1 *	1/2002	Kingstone	.....	385/147
D465,292	S *	11/2002	Ko	.....	D26/4

6,682,205	B2 *	1/2004	Lin	.....	362/249
D489,144	S *	4/2004	Dalton, Jr.	.....	D26/28
6,799,863	B2 *	10/2004	Offiler et al.	.....	362/220
D502,565	S *	3/2005	Hetfield	.....	D26/76
6,863,423	B2 *	3/2005	Stone et al.	.....	362/404
2003/0021115	A1 *	1/2003	Sloan et al.	.....	362/240
2004/0179372	A1 *	9/2004	Guerrieri	.....	362/555

**OTHER PUBLICATIONS**

Douglas Fanning, Jacob's Pillow Dance, Photograph taken Jul. 2002 at 358 George Carter Rd., Becket, MA.

Douglas Fanning, Jacob's Pillow Dance, Photograph taken Jul. 2002 at 358 George Carter Rd., Becket, MA.

\* cited by examiner

*Primary Examiner*—Freda S. Nunn

*Assistant Examiner*—Kevin K Rudzinski

(74) *Attorney, Agent, or Firm*—Ostrager Chong Flaherty & Broitman P.C.

(57) **CLAIM**

The ornamental design for a light module, as shown and described.

**DESCRIPTION**

FIG. 1 is a front, left side and top perspective view of the light module;

FIG. 2 is a front elevational view thereof;

FIG. 3 is an enlarged top plan view thereof;

FIG. 4 is a left side elevational view thereof;

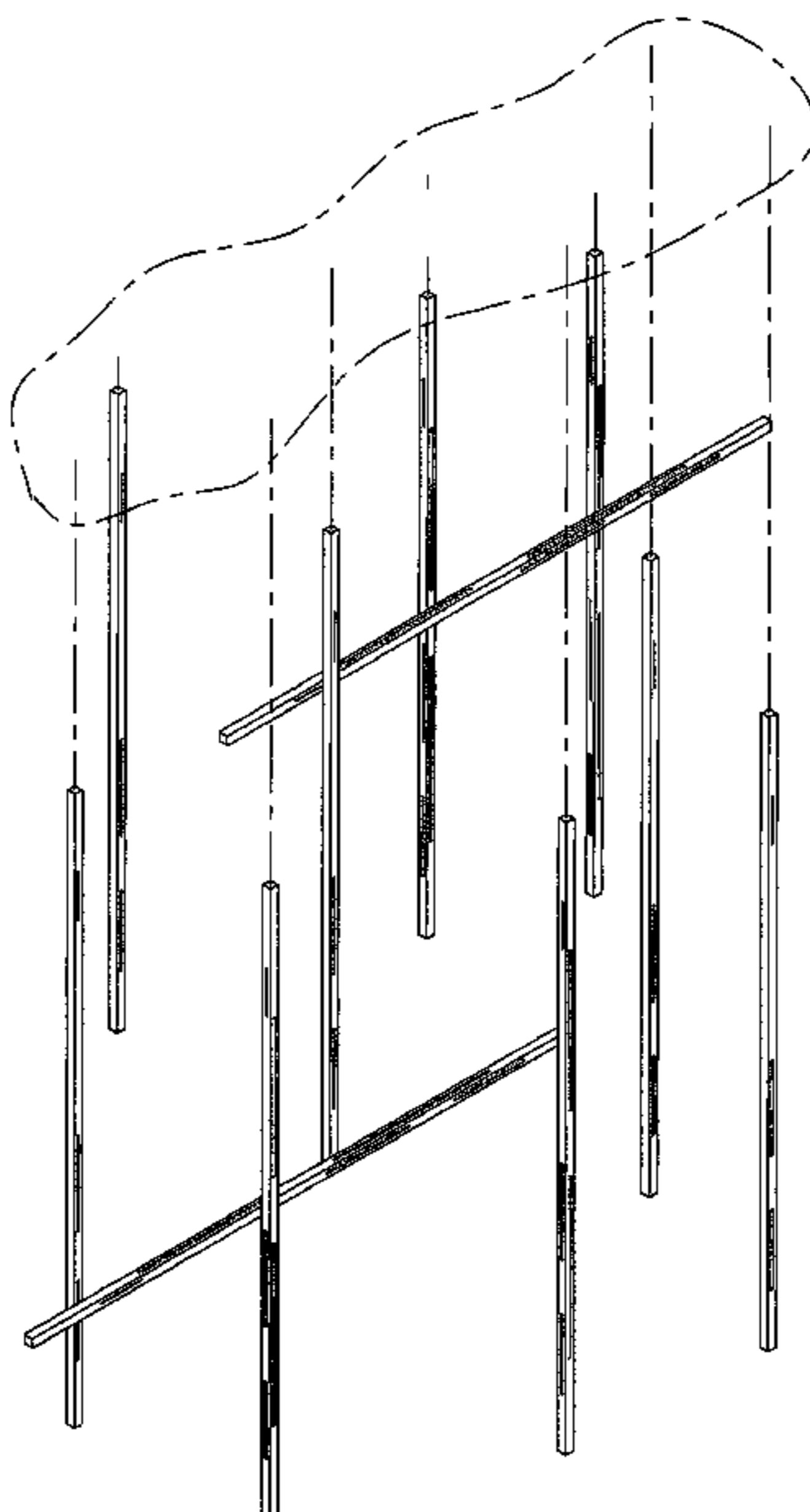
FIG. 5 is a right side elevational view thereof;

FIG. 6 is a rear elevational view thereof; and,

FIG. 7 is an enlarged bottom plan view thereof.

The broken lines shown are for illustration purposes only and form no part of the claimed design.

**1 Claim, 6 Drawing Sheets**



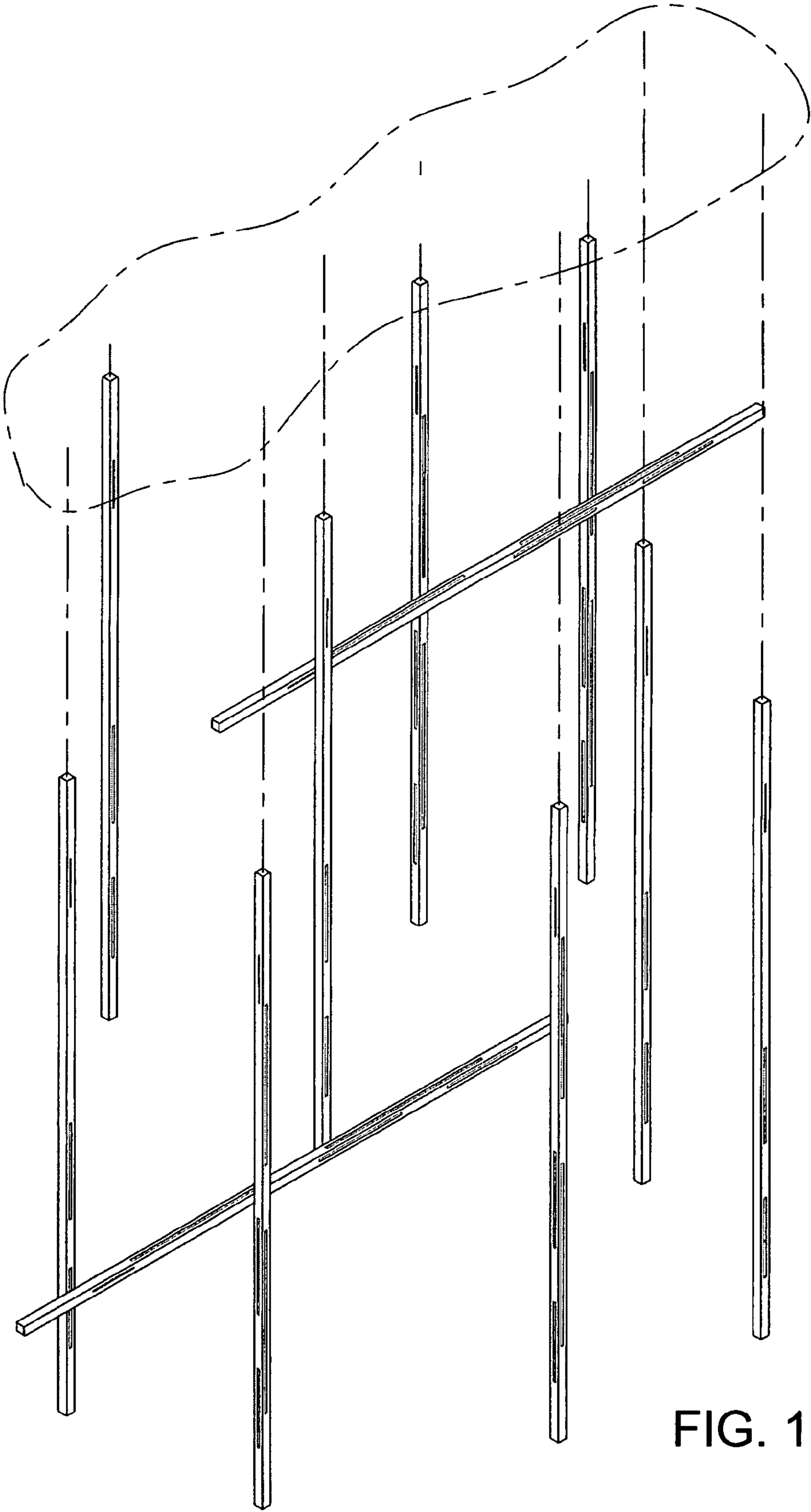


FIG. 1

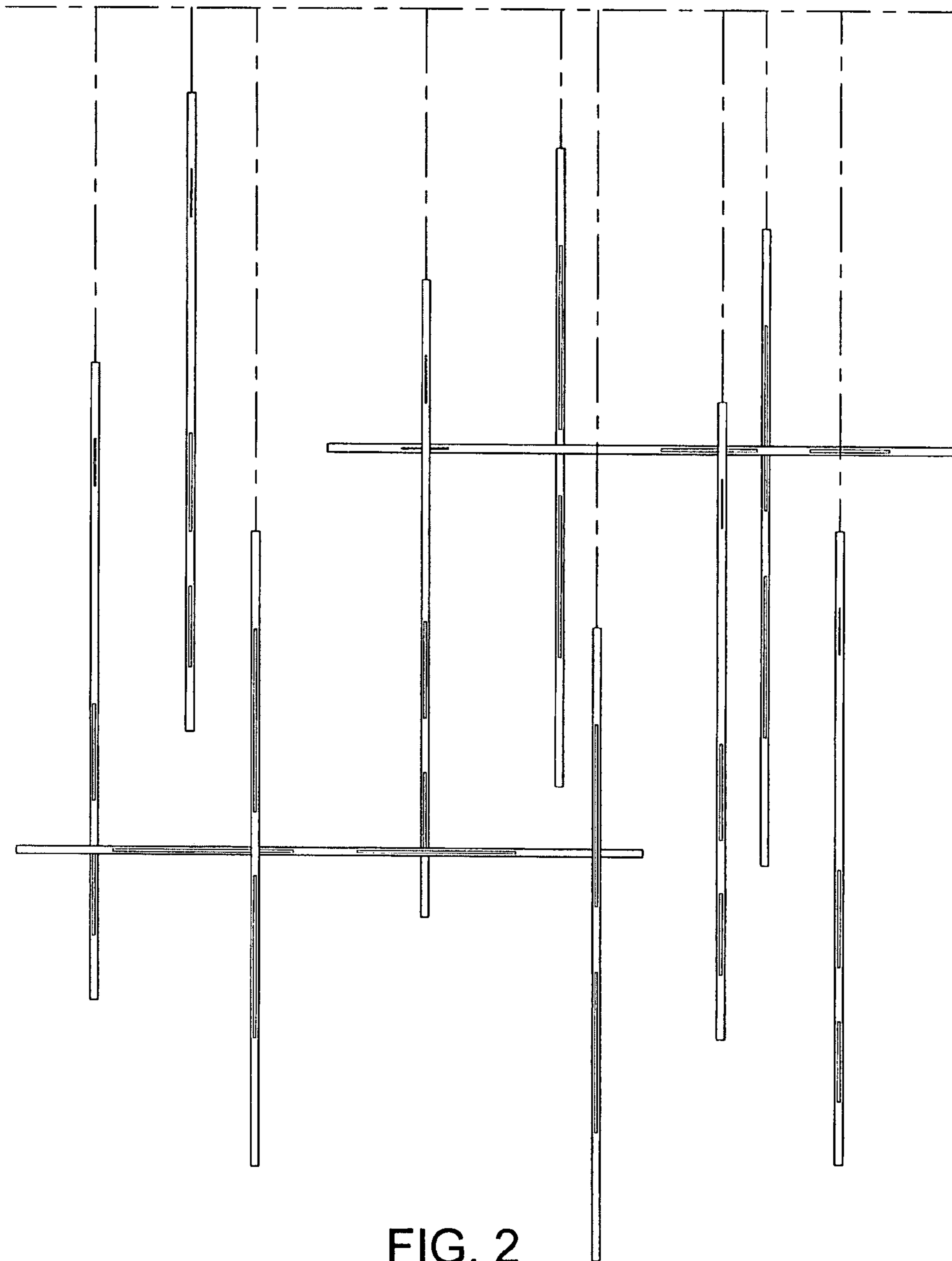


FIG. 2

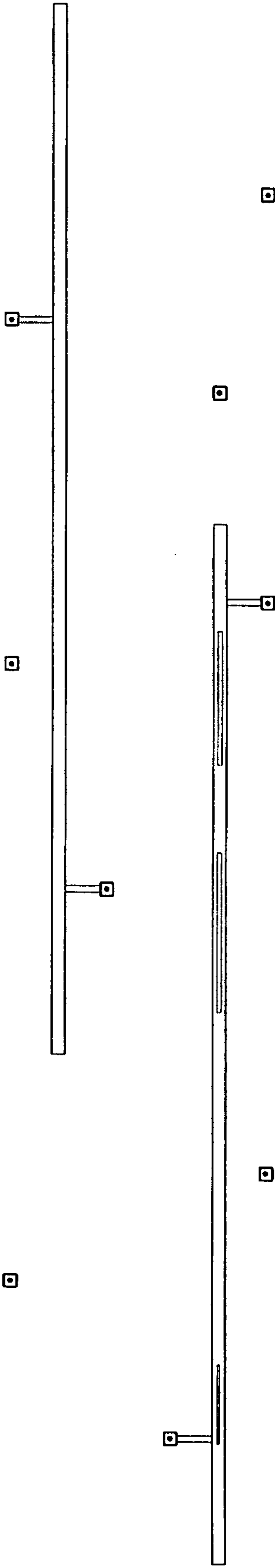


FIG. 3

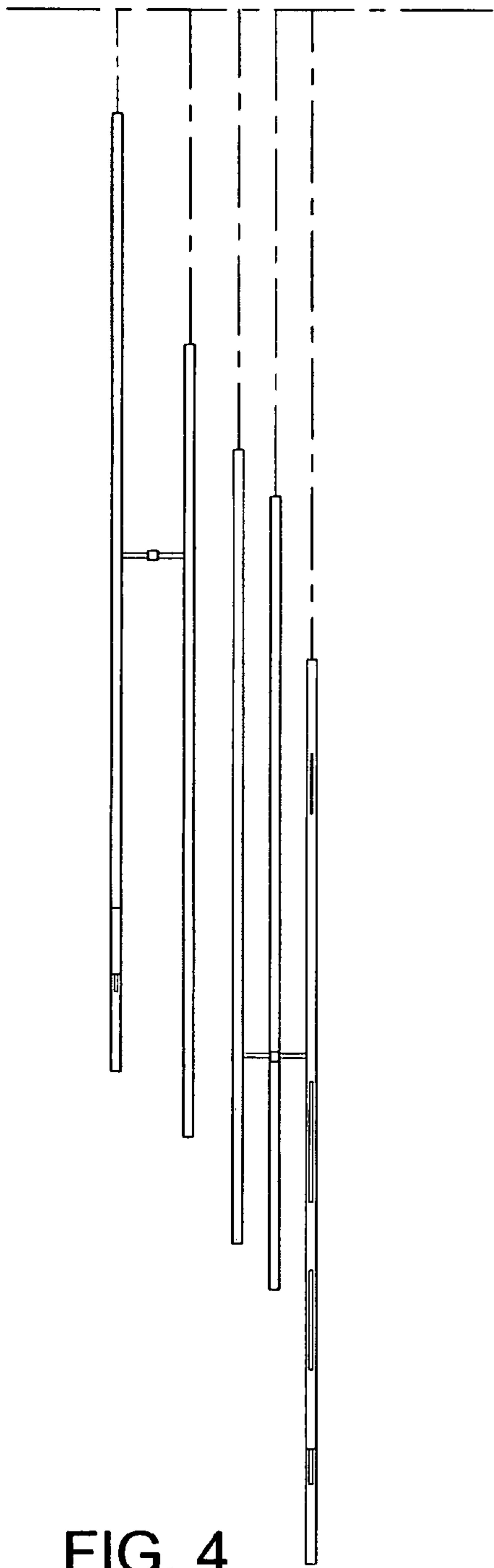


FIG. 4

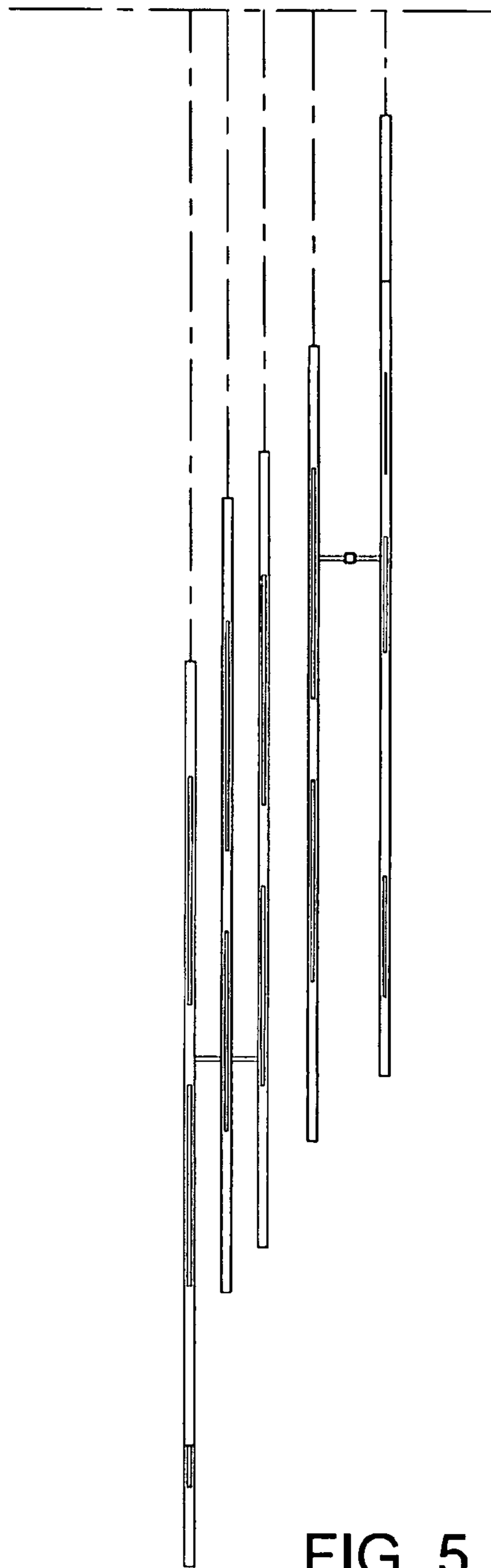


FIG. 5

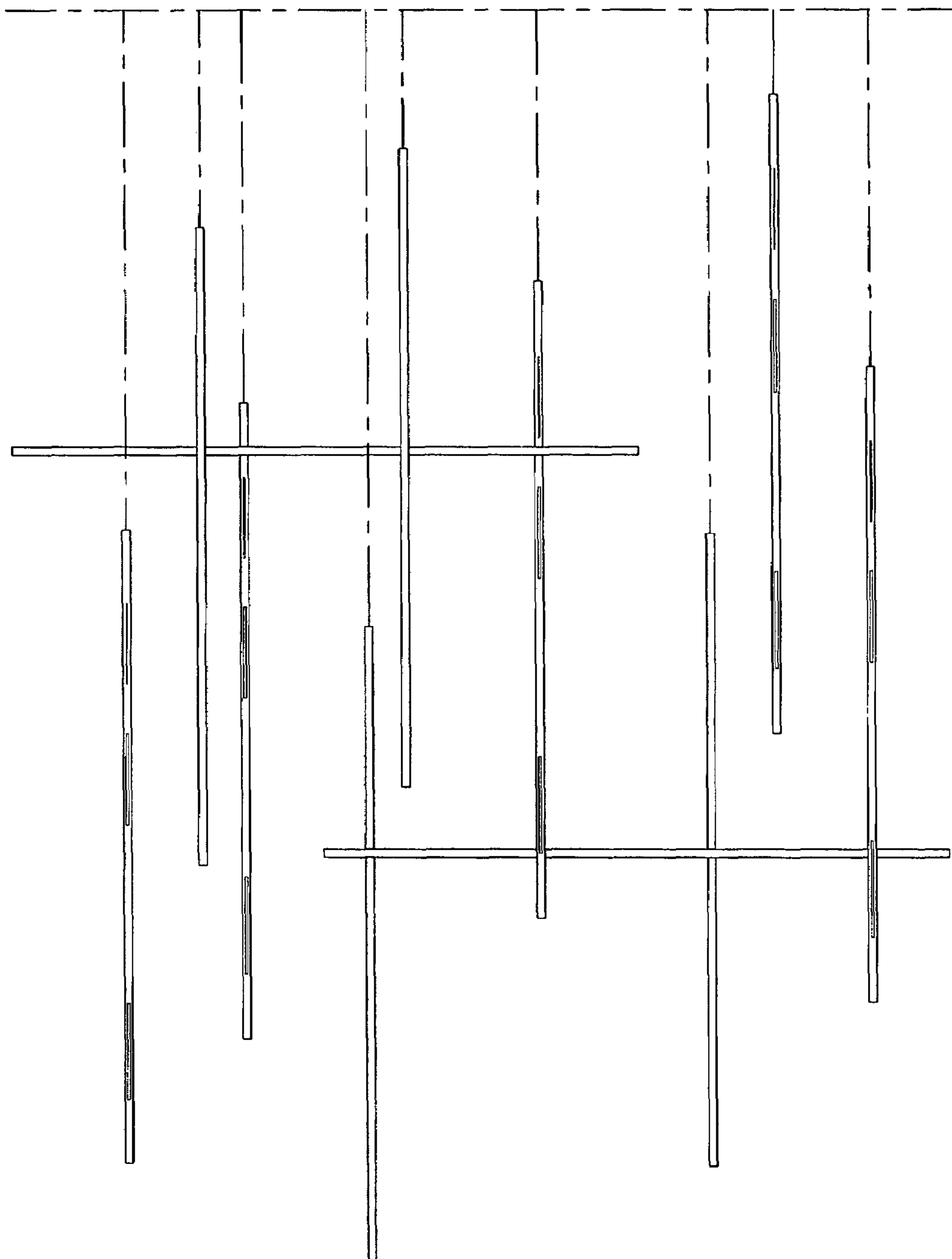


FIG. 6

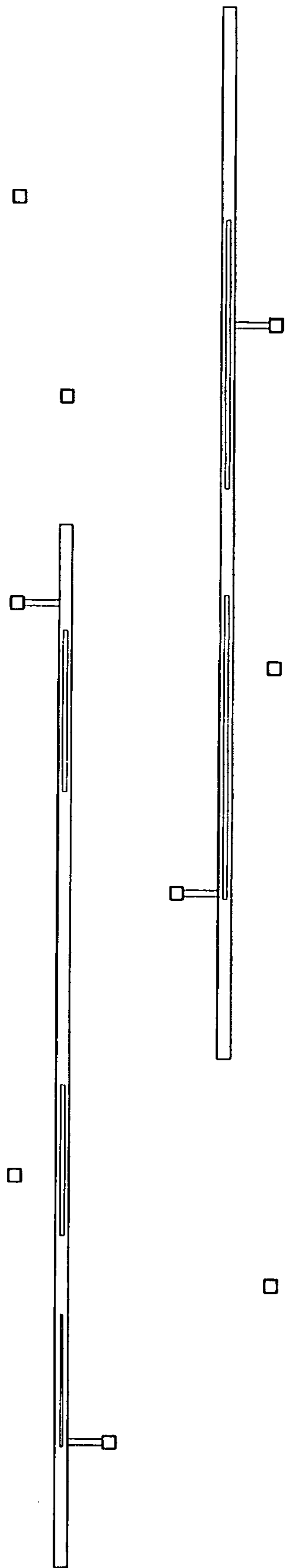


FIG. 7