



US00D573298S

(12) **United States Design Patent**  
**Kinnune et al.**

(10) **Patent No.:** **US D573,298 S**

(45) **Date of Patent:** **\*\* Jul. 15, 2008**

(54) **POST TOP MOUNT FOR FLOODLIGHT  
FIXTURE**

(75) Inventors: **Brian L. Kinnune**, Racine, WI (US);  
**Wayne P. Guillien**, Racine, WI (US);  
**Kurt S. Wilcox**, Libertyville, IL (US);  
**Steven R. Walczak**, Hales Corners, WI  
(US)

(73) Assignee: **Ruud Lighting, Inc.**, Racine, WI (US)

(\*\*) Term: **14 Years**

(21) Appl. No.: **29/279,695**

(22) Filed: **May 4, 2007**

(51) **LOC (8) Cl.** ..... **26-99**

(52) **U.S. Cl.** ..... **D26/142**

(58) **Field of Classification Search** ..... D26/67,  
D26/34, 138, 140, 142, 118, 72, 85, 86, 87,  
D26/84, 75, 76, 144; 248/230.5, 156; 362/373,  
362/477, 473, 231; D10/104; D8/373, 354;  
D6/579; D13/180

See application file for complete search history.

(56) **References Cited**

**U.S. PATENT DOCUMENTS**

D42,580 S \* 6/1912 Hotchkin ..... D26/144  
2,597,157 A \* 5/1952 Martino ..... 248/150  
D191,128 S \* 8/1961 Curtin et al. .... D26/67  
D301,175 S \* 5/1989 Benjamin ..... D26/67

D407,842 S \* 4/1999 Landefeld ..... D26/68  
D423,707 S \* 4/2000 Hammond ..... D26/67  
6,402,352 B1 \* 6/2002 Summerford et al. .... 362/426  
D461,588 S \* 8/2002 De'Armond ..... D26/142  
D487,600 S \* 3/2004 Fickas ..... D26/138

\* cited by examiner

*Primary Examiner*—Freda S. Nunn

*Assistant Examiner*—Kevin K Rudzinski

(74) *Attorney, Agent, or Firm*—Jansson Shupe & Munger  
Ltd.

(57) **CLAIM**

The ornamental design for a post top mount for a floodlight  
fixture, as shown and described.

**DESCRIPTION**

FIG. 1 is a front top perspective view of a post top mount for  
a floodlight fixture.

FIG. 2 is a front bottom perspective view of the post top  
mount of FIG. 1.

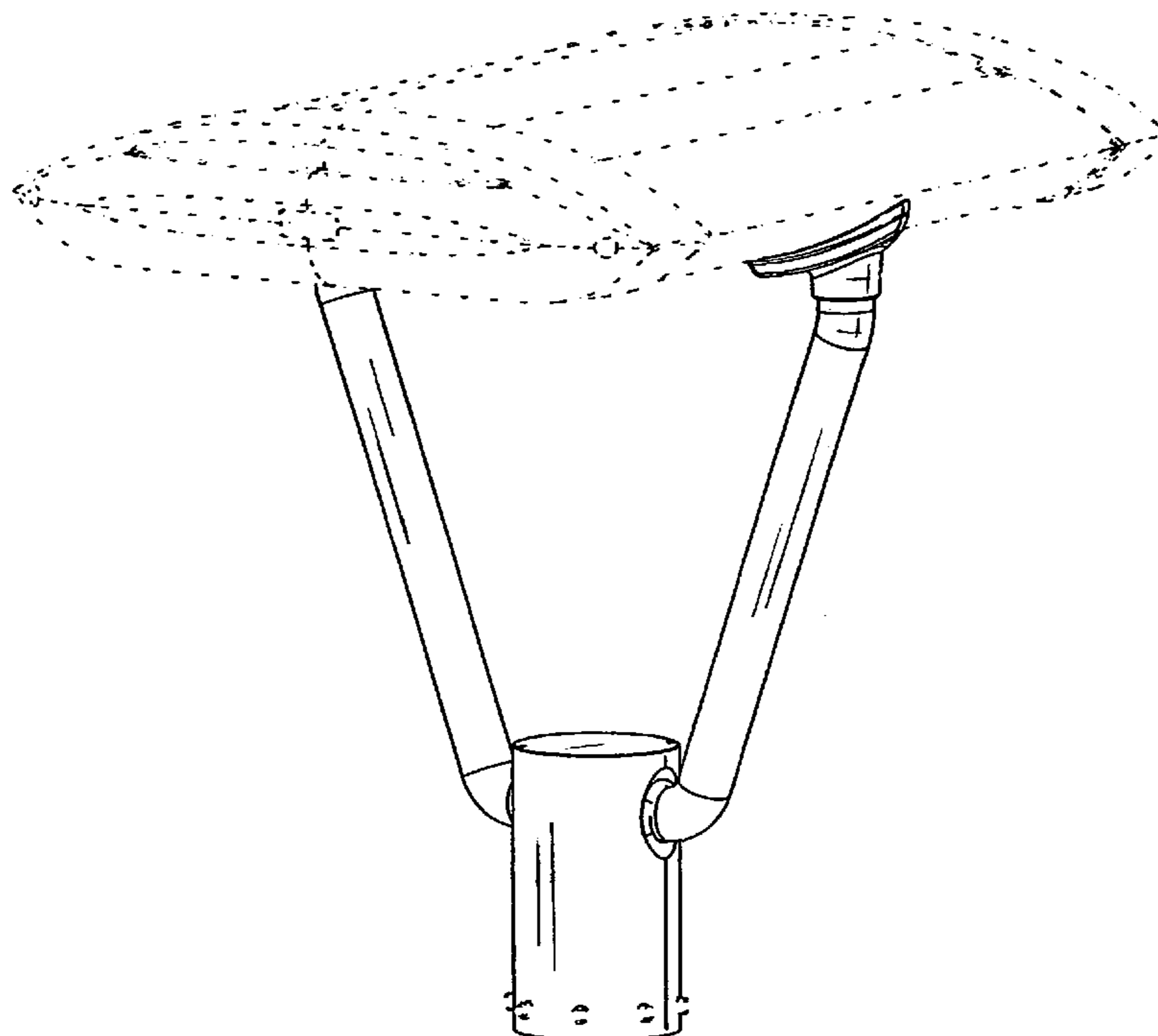
FIG. 3 is a front elevation view of the post top mount of FIG.  
1, a rear elevation view being a mirror image.

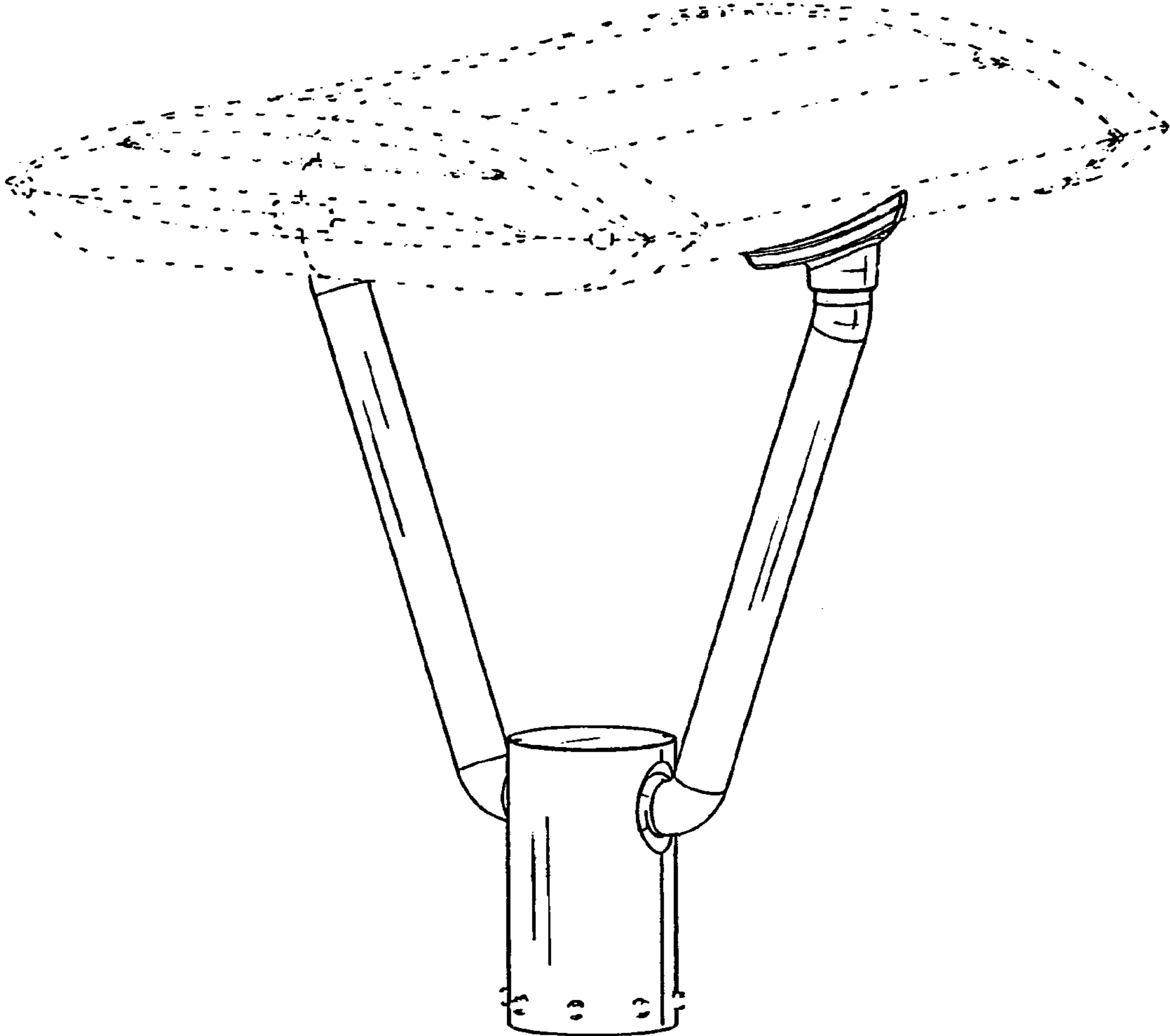
FIG. 4 is a right-side elevation view of the post top mount of  
FIG. 1, a left-side elevation view being a mirror image; and,

FIG. 5 is a bottom plan view of the post top mount of FIG. 1.

The broken lines are provided for illustrative purposes only  
and form no part of the claimed design.

**1 Claim, 5 Drawing Sheets**





**FIG. 1**

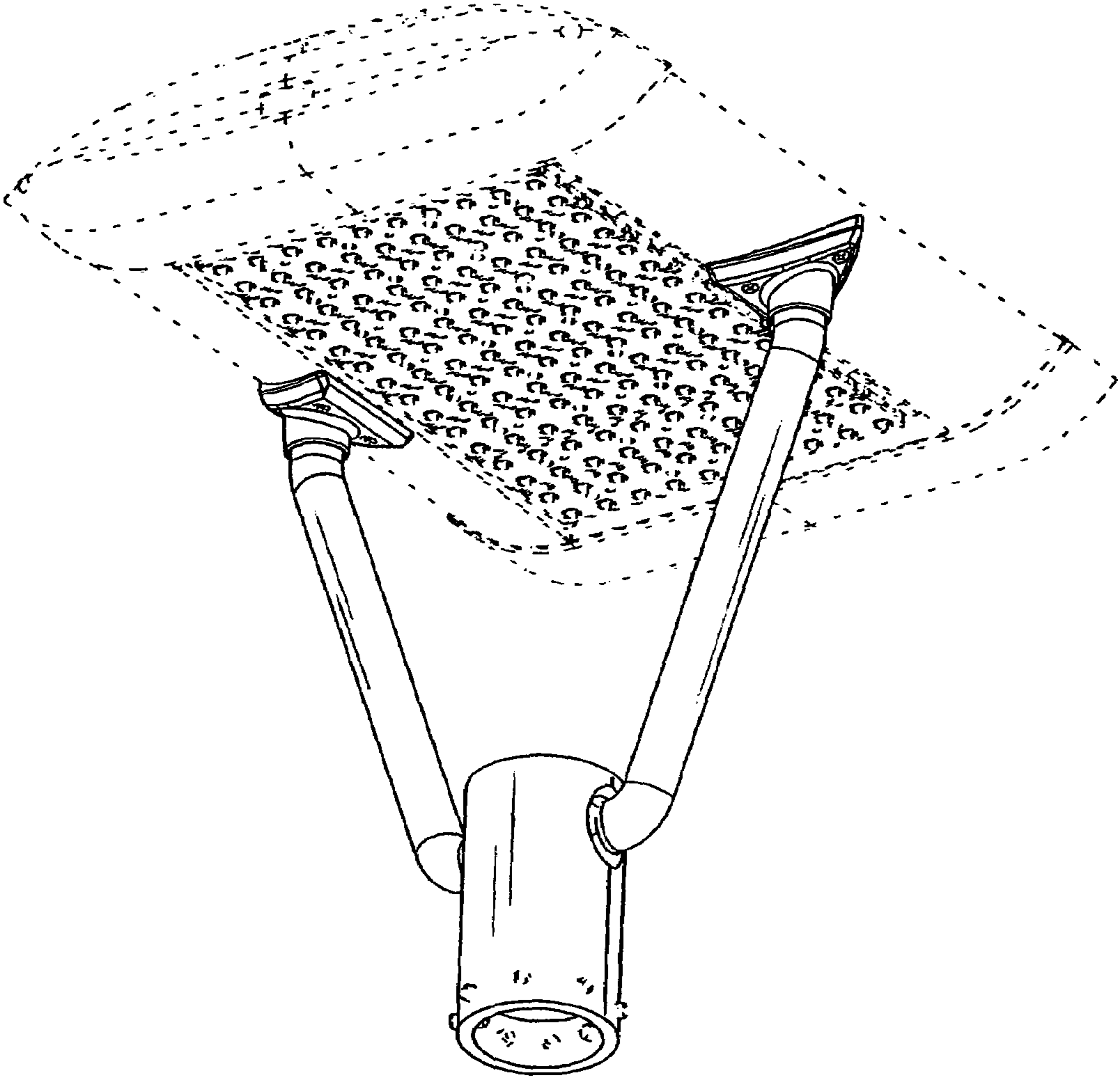
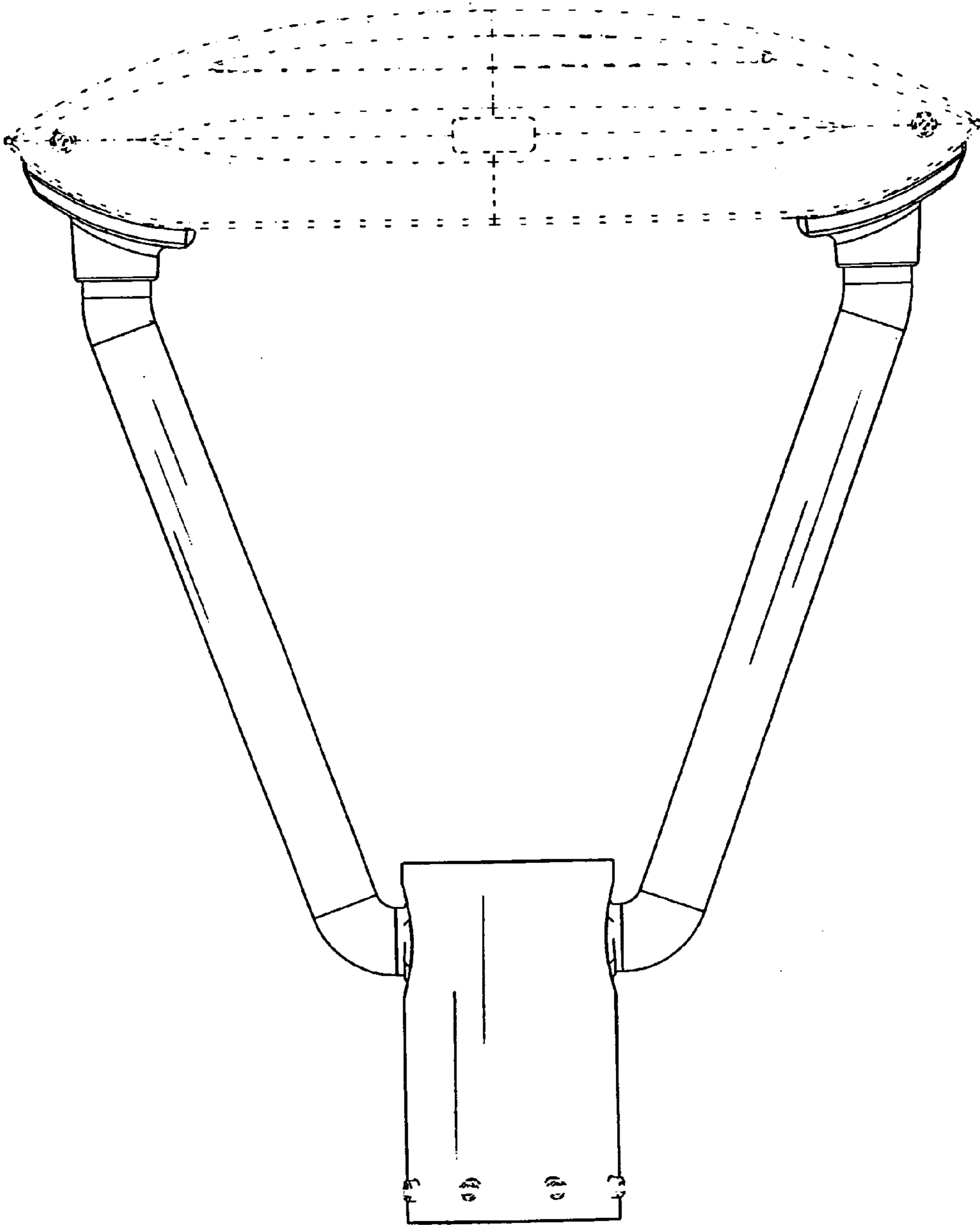
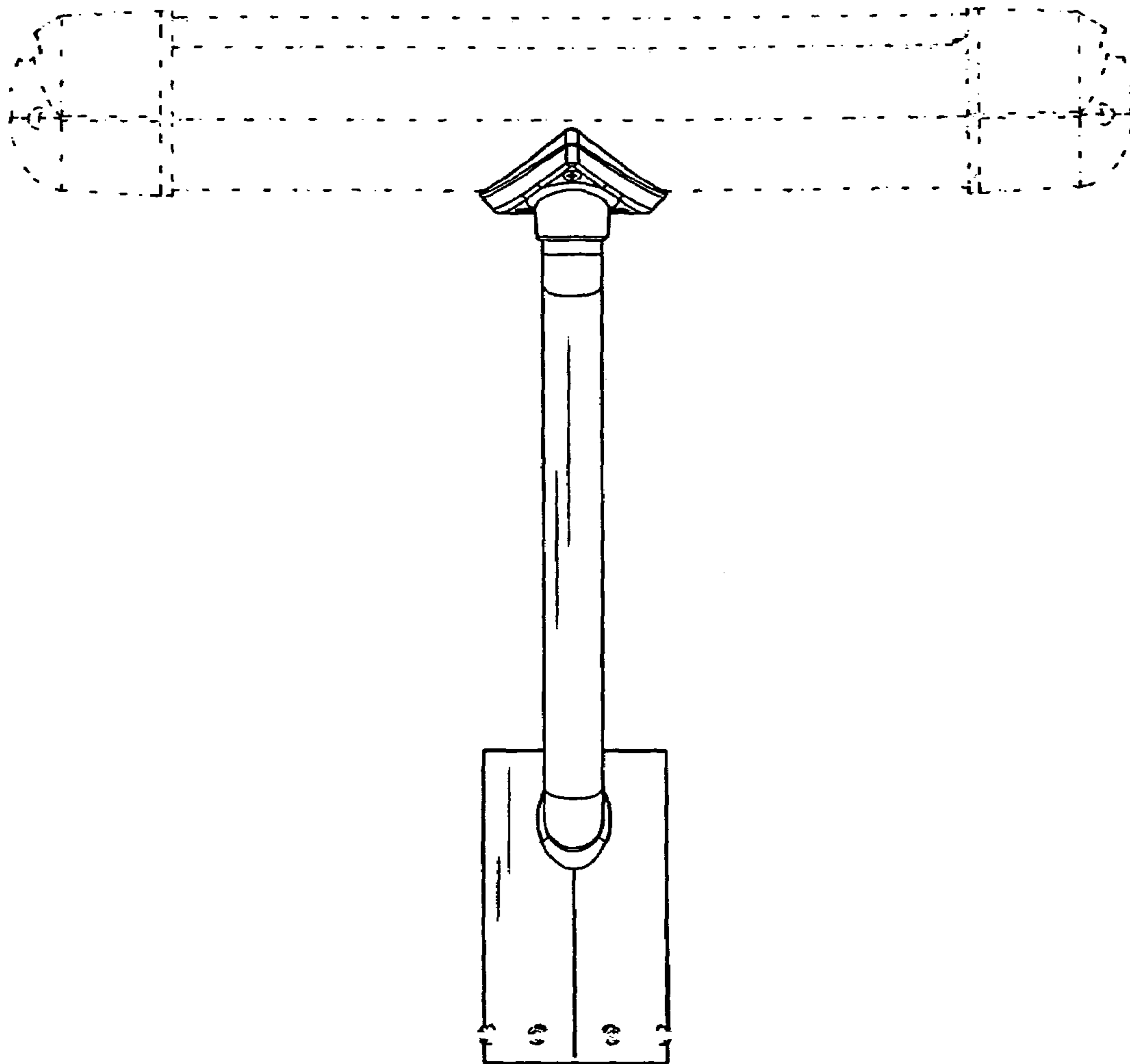


FIG. 2



**FIG. 3**



**FIG. 4**

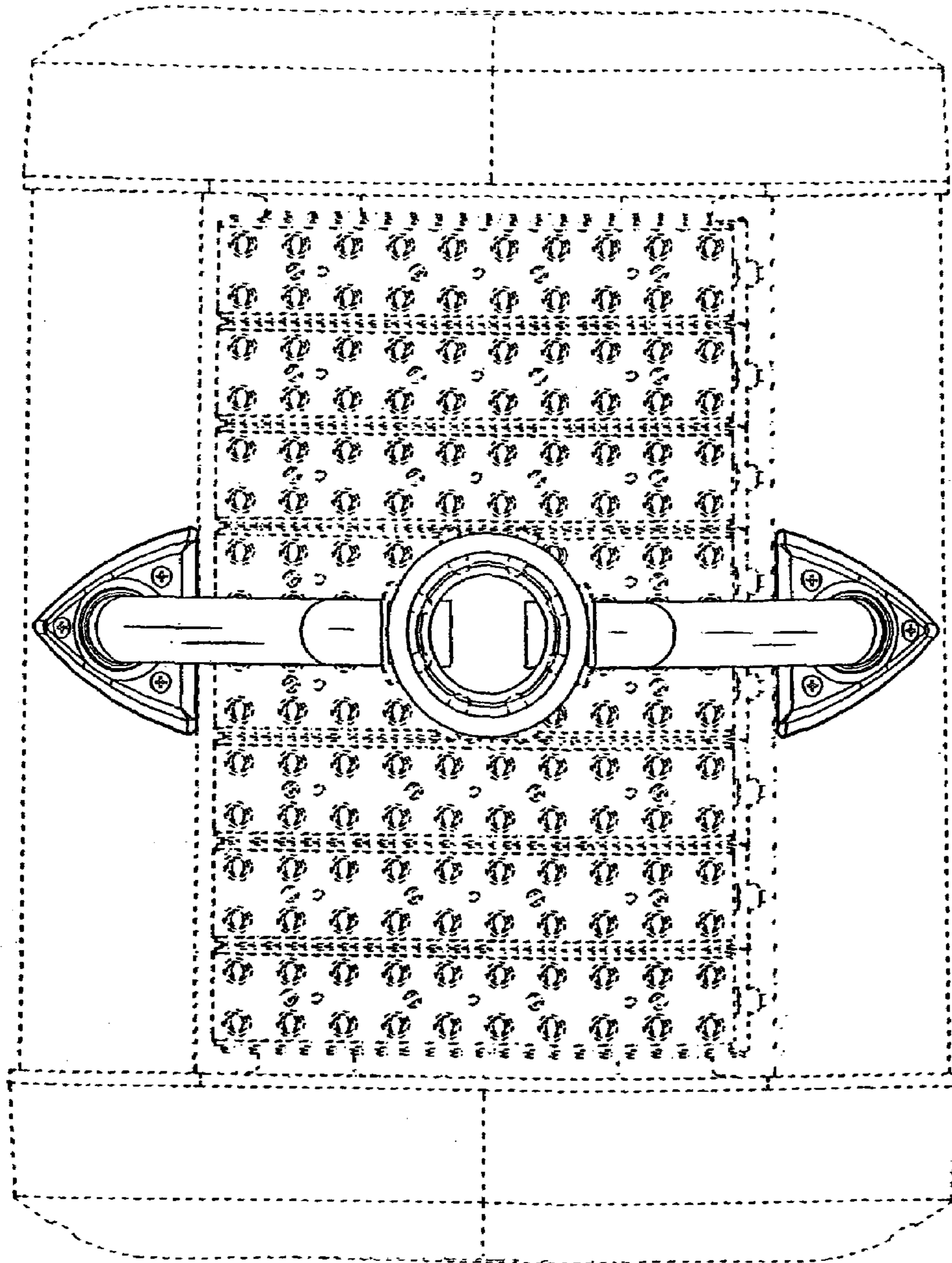


FIG. 5