



US00D573297S

(12) **United States Design Patent**  
**Beadle**

(10) **Patent No.:** **US D573,297 S**  
(45) **Date of Patent:** **\*\* Jul. 15, 2008**

(54) **COVER FOR RECESSED LIGHTING  
FIXTURE**

D519,495 S 4/2006 Lum  
2002/0195946 A1\* 12/2002 Hsiao ..... 315/56

(76) Inventor: **Joshua Z. Beadle**, 4890 Del Mar Mesa  
Rd., San Diego, CA (US) 92130

\* cited by examiner

(\*\*) Term: **14 Years**

*Primary Examiner*—Cathron Brooks  
*Assistant Examiner*—Kevin K Rudzinski  
(74) *Attorney, Agent, or Firm*—Procopio, Cory, Hargreaves  
& Savitch LLP

(21) Appl. No.: **29/250,615**

(22) Filed: **Nov. 22, 2006**

(57) **CLAIM**

(51) **LOC (8) Cl.** ..... **26-99**

The ornamental design for a cover for recessed lighting fixture, as shown and described.

(52) **U.S. Cl.** ..... **D26/118**

(58) **Field of Classification Search** ..... D26/72,  
D26/63, 85, 28, 124, 118, 65, 60, 40, 41,  
D26/42, 80, 87, 68, 67, 37, 49, 74, 77, 86,  
D26/88, 89, 93, 103, 104, 105, 113, 114,  
D26/119, 122, 123, 128, 138, 142, 143, 152;  
362/365, 96, 147, 151, 153, 217, 643, 654,  
362/257, 290, 296, 297, 301, 302, 309, 317,  
362/341, 342, 343, 347, 348, 349, 362, 364,  
362/395, 404, 405, 410, 441; 126/258

**DESCRIPTION**

See application file for complete search history.

FIG. 1 is a top perspective view of the cover for a recessed lighting fixture showing my new design;

FIG. 2 is a bottom plan view thereof;

The broken line showing of the rectangular elements and inner concentric circles is included for the purpose of illustration only and forms no part of the claimed design.

FIG. 3 is a top plan view thereof;

FIG. 4 is a side elevational view of one side thereof, the opposite side view being a mirror image;

FIG. 5 is a left side elevational view of the cover as shown in FIG. 3;

FIG. 6 is a right side elevational view of the cover as shown in FIG. 3; and,

FIG. 7 is a perspective view of the cover positioned as used on a lighting fixture.

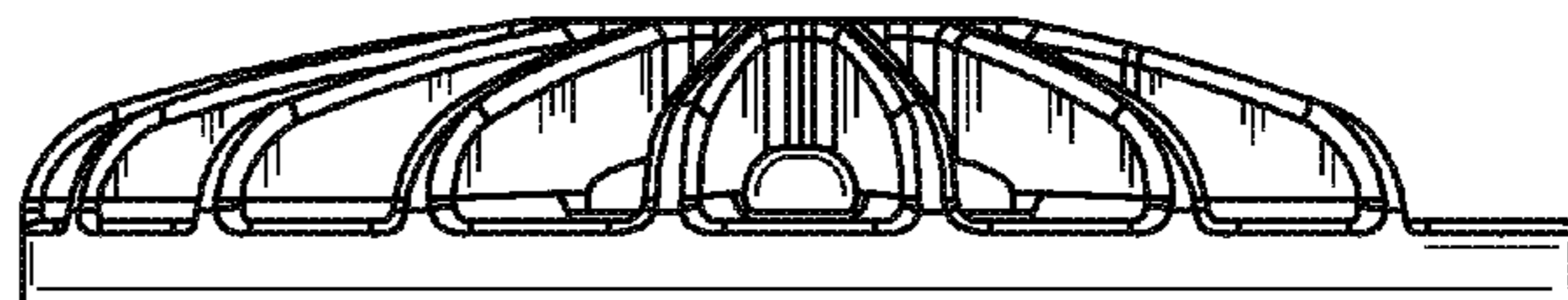
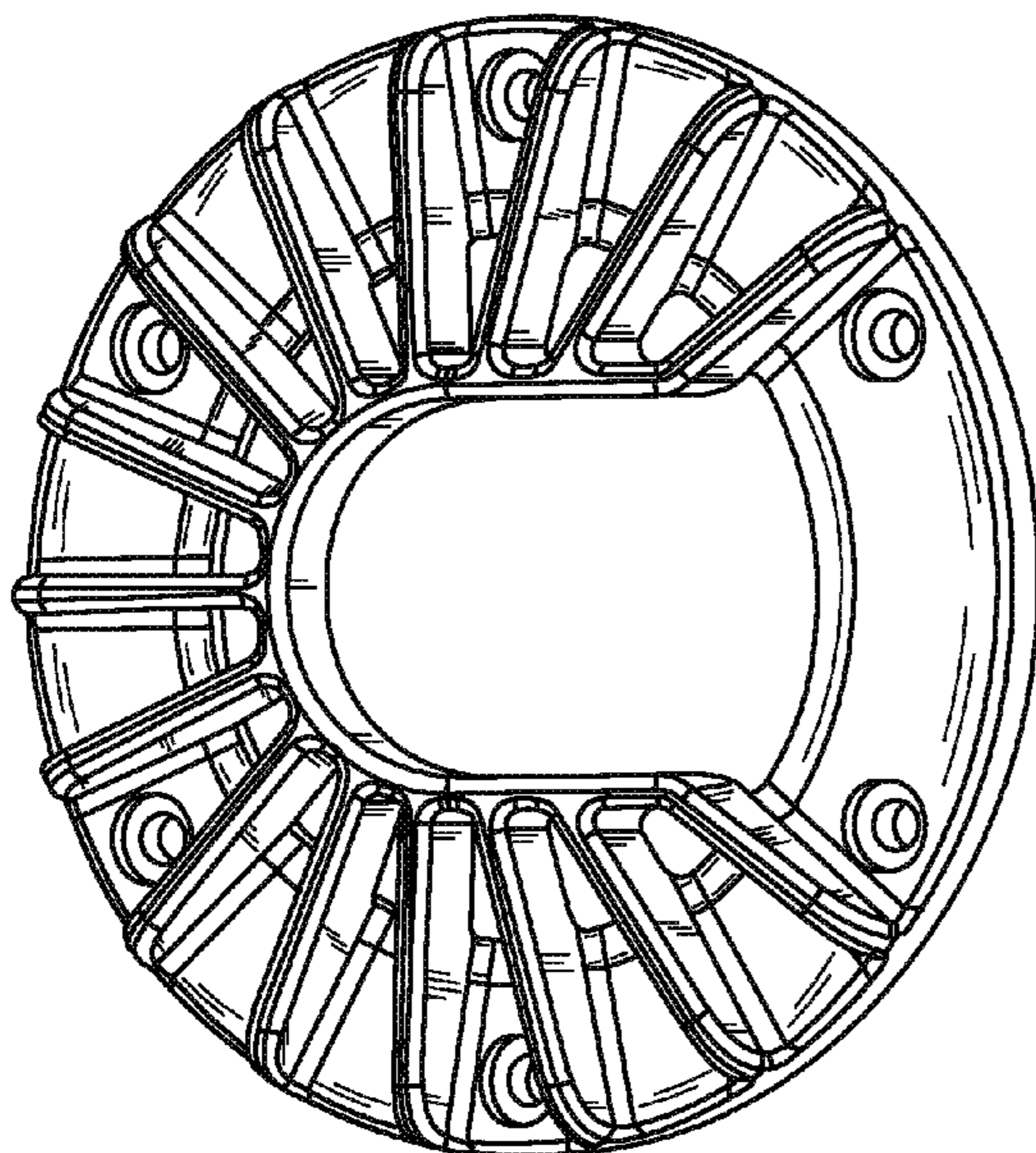
The broken line showing of the lighting fixture is included for the purpose of illustration only and forms no part of the claimed design.

(56) **References Cited**

**U.S. PATENT DOCUMENTS**

1,287,298	A *	12/1918	Halvorson et al.	.....	362/297
1,526,524	A *	2/1925	Brown et al.	.....	219/220
D107,774	S *	1/1938	Guth	.....	D26/123
3,408,998	A *	11/1968	Brancato et al.	.....	126/4
3,711,702	A *	1/1973	Adra	.....	362/345
D306,482	S	3/1990	Milo		
D324,219	S *	2/1992	Besasio	.....	D14/225
5,449,244	A *	9/1995	Sandino	.....	404/14
5,820,247	A *	10/1998	Schuler	.....	362/96
6,034,467	A *	3/2000	Roberts	.....	313/46
D487,817	S *	3/2004	Benghozi	.....	D26/118
D490,181	S *	5/2004	Redfern	.....	D26/72

**1 Claim, 4 Drawing Sheets**



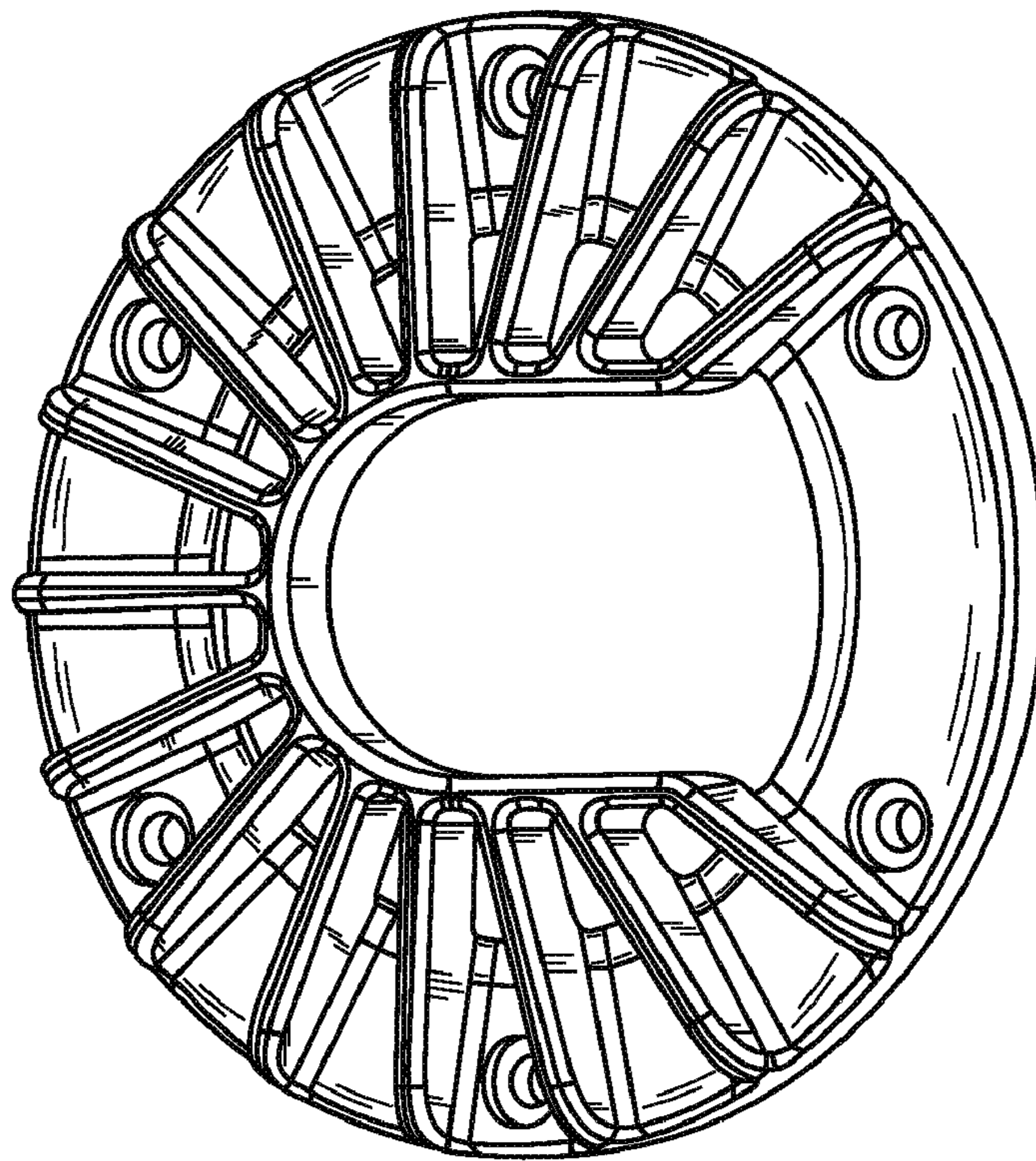


FIG. 1

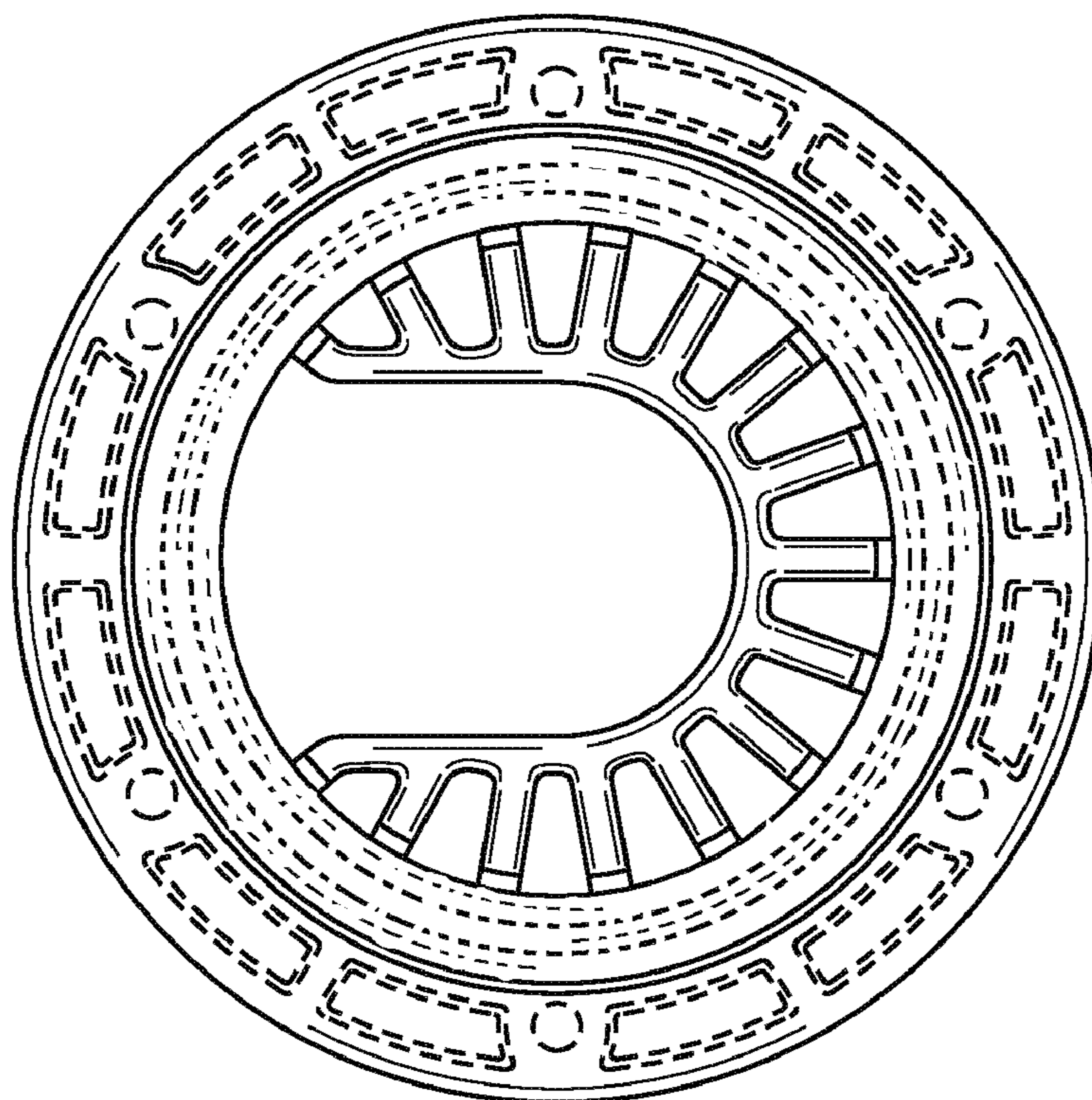


FIG. 2

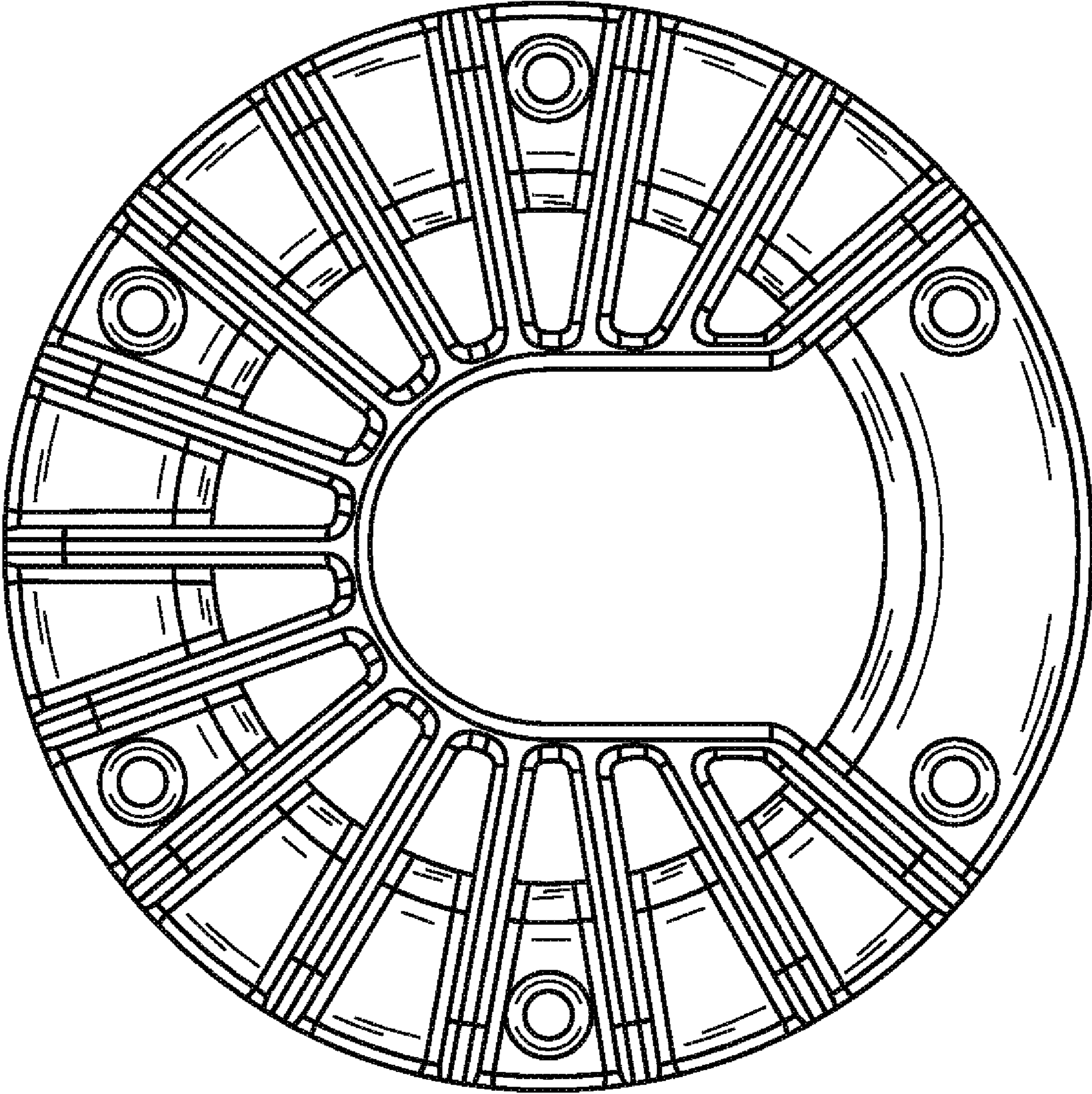


FIG. 3

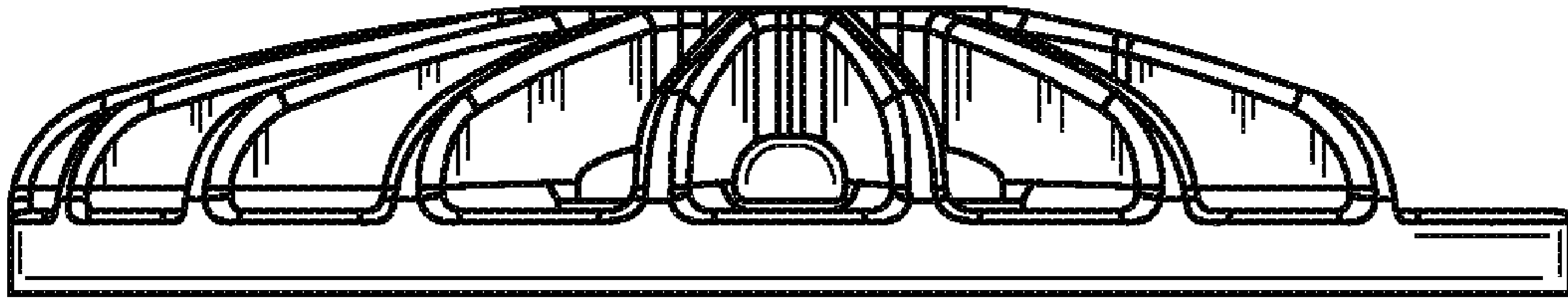


FIG. 4

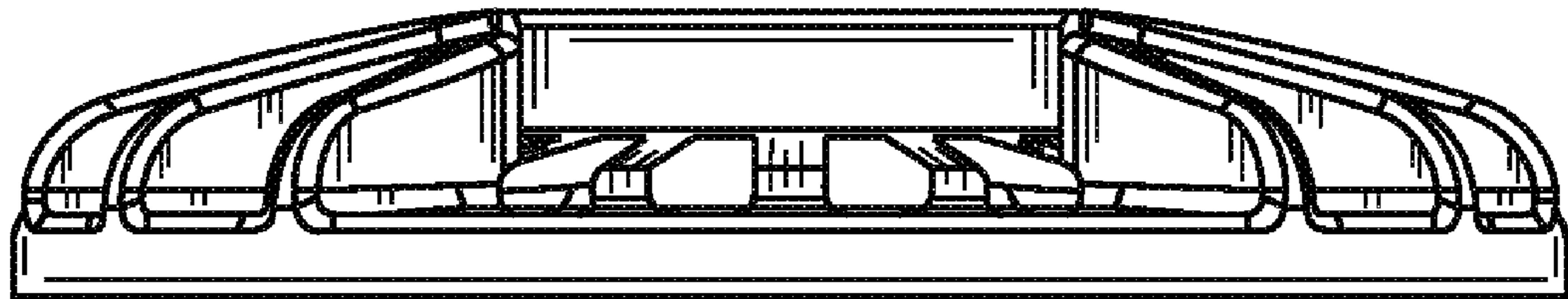


FIG. 5

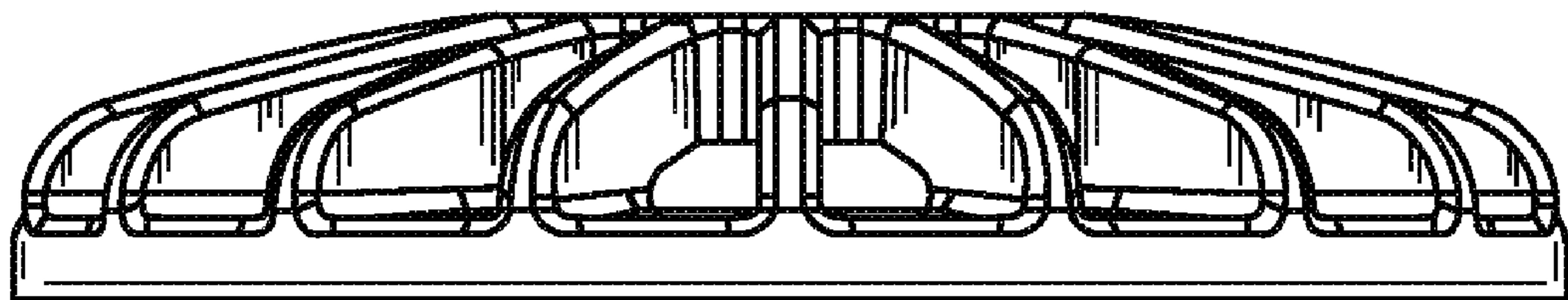


FIG. 6

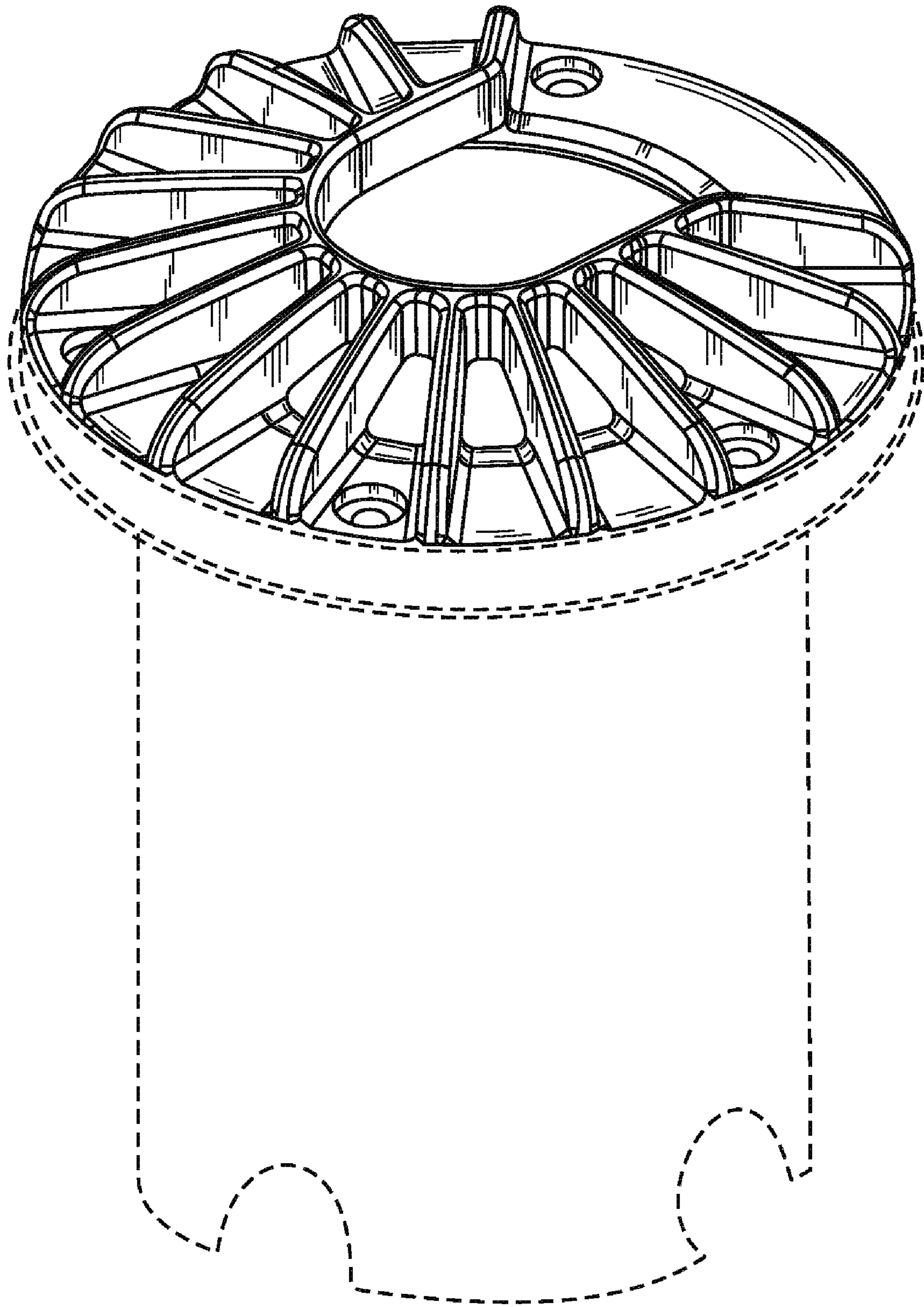


FIG. 7