



US00D573296S

(12) **United States Design Patent**  
**Brookins**

(10) **Patent No.:** **US D573,296 S**

(45) **Date of Patent:** **\*\* Jul. 15, 2008**

(54) **LIGHT FIXTURE**

(75) Inventor: **Walter Brookins**, Mesquite, TX (US)

(73) Assignee: **Craftmade International, Inc.**, Coppell, TX (US)

(\*\*) Term: **14 Years**

(21) Appl. No.: **29/301,883**

(22) Filed: **Mar. 17, 2008**

(51) **LOC (8) Cl.** ..... **26-03**

(52) **U.S. Cl.** ..... **D26/81; D26/84; D26/143**

(58) **Field of Classification Search** ..... D26/81-86,  
D26/142-144; 362/147, 404-408

See application file for complete search history.

(56) **References Cited**

**U.S. PATENT DOCUMENTS**

D63,634 S	*	12/1923	Crumley	.....	D26/144
D65,091 S	*	7/1924	Walker	.....	D26/143
D67,213 S	*	5/1925	Klein	.....	D26/81
D70,652 S	*	7/1926	Crowell	.....	D26/144
D71,731 S	*	12/1926	Crowell	.....	D26/143
D75,864 S	*	7/1928	Novin	.....	D26/144
D388,223 S	*	12/1997	Miranda	.....	D26/145
D520,174 S	*	5/2006	Chen	.....	D26/81

**OTHER PUBLICATIONS**

Chandeliers F1837/3 and F1836/3 on p. 7 of the Murray-Feiss 2004 Edition of the "Big Book" catalog.\*

Chandeliers 80018-85 and 80016-85 on p. 92 of the World Imports catalog 26; © 2004.\*

Quoizel "Hacienda Coahuila" collection chandelier, item "A" on p. 12 of the Lamps Plus 2007 Holiday catalog.\*

\* cited by examiner

*Primary Examiner*—Clare E Heflin

(74) *Attorney, Agent, or Firm*—Munsch, Hardt, Kopf & Harr PC

(57) **CLAIM**

The ornamental design for a light fixture, as shown and described.

**DESCRIPTION**

FIG. 1 is a perspective view of the light fixture showing my new design;

FIG. 2 is a front elevational view thereof;

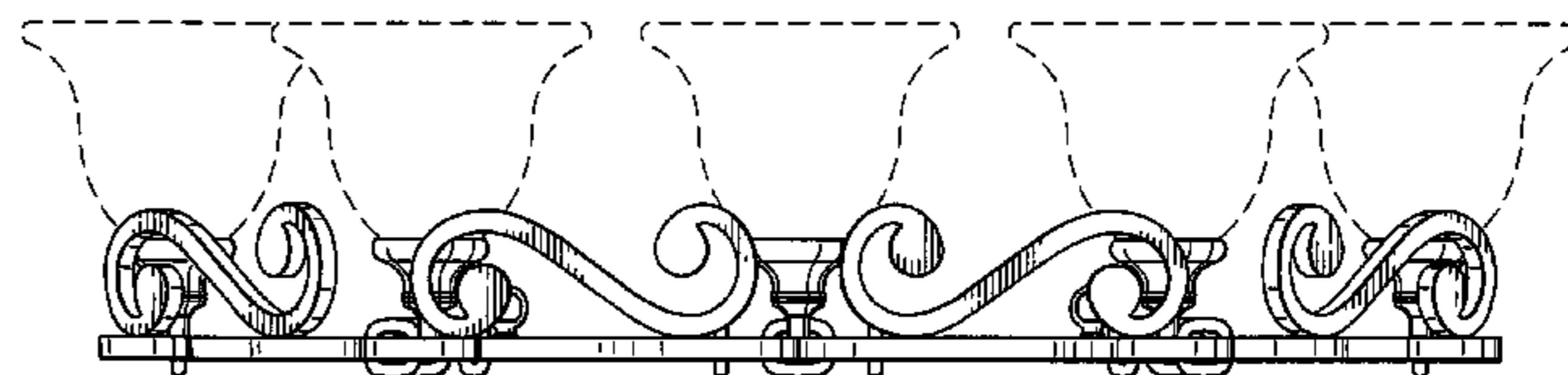
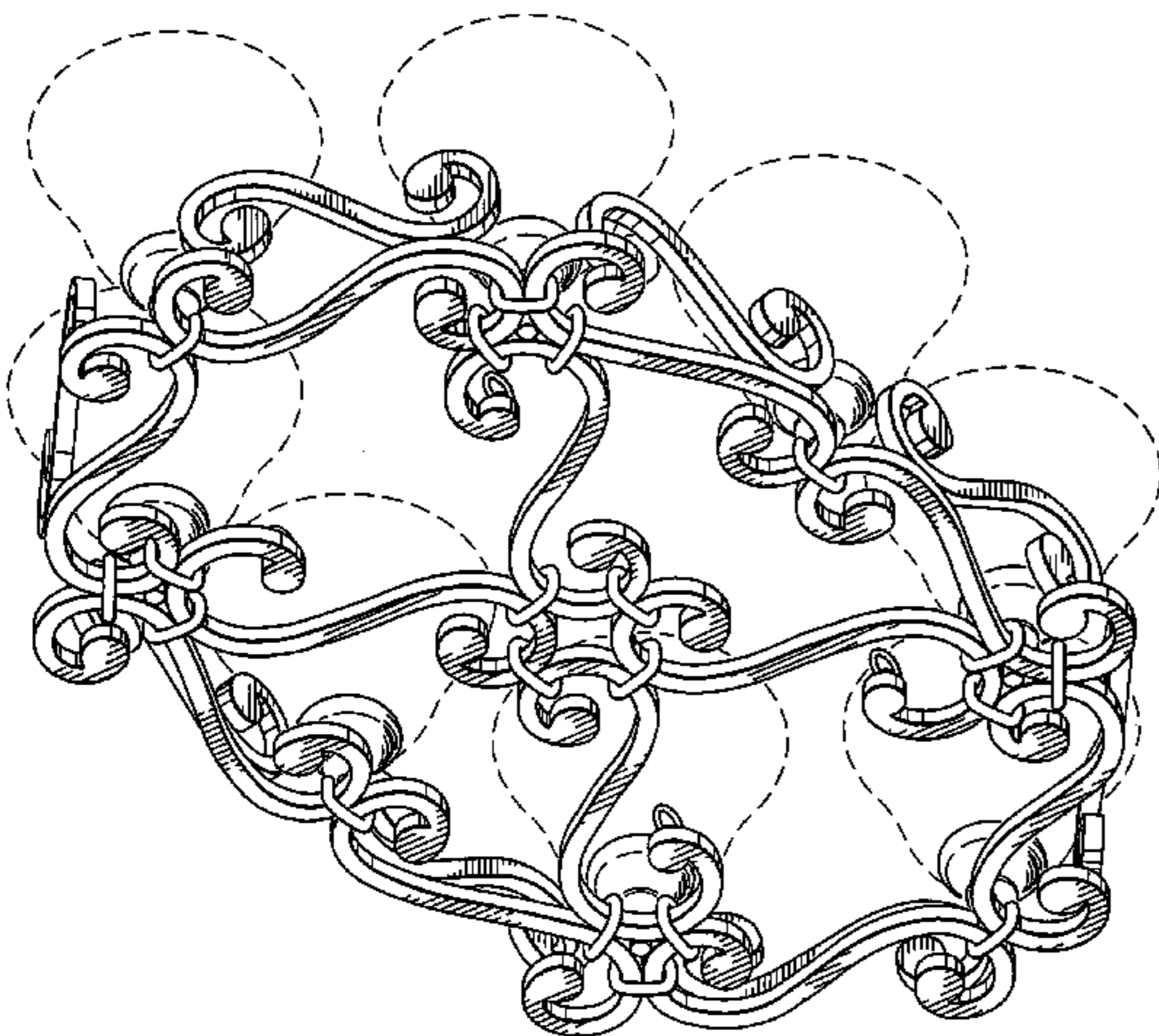
FIG. 3 is a left side elevational view thereof, the right side elevational view being identical;

FIG. 4 is a bottom plan view thereof; and,

FIG. 5 is a top plan view thereof.

The broken lines shown on the drawings form no part of the claimed design.

**1 Claim, 4 Drawing Sheets**



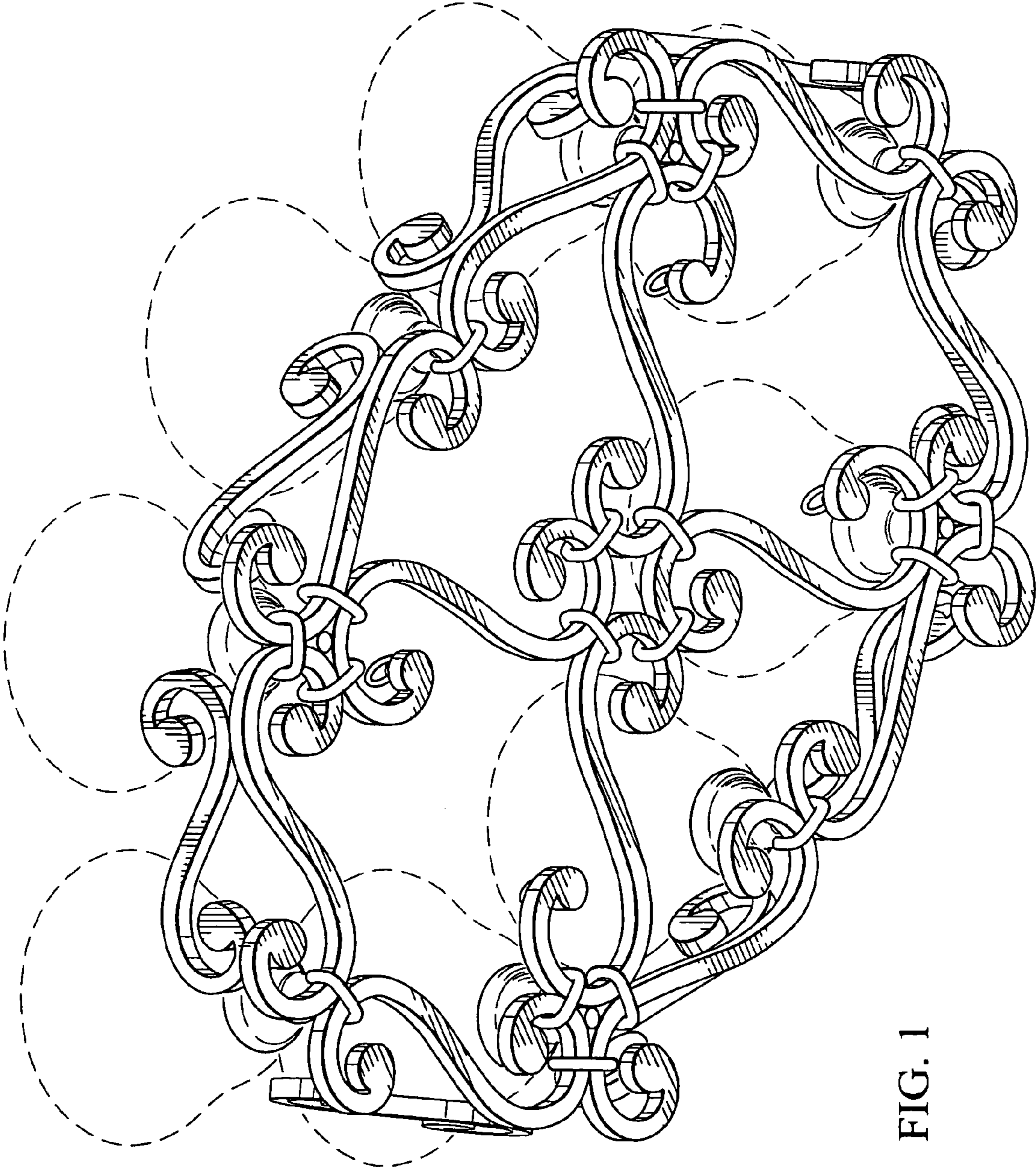


FIG. 1

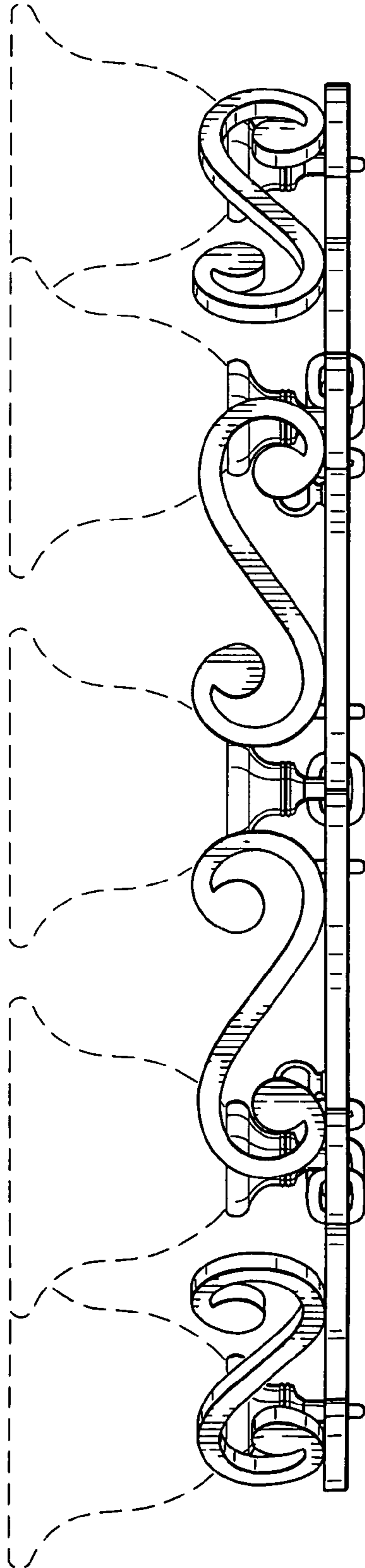


FIG. 2

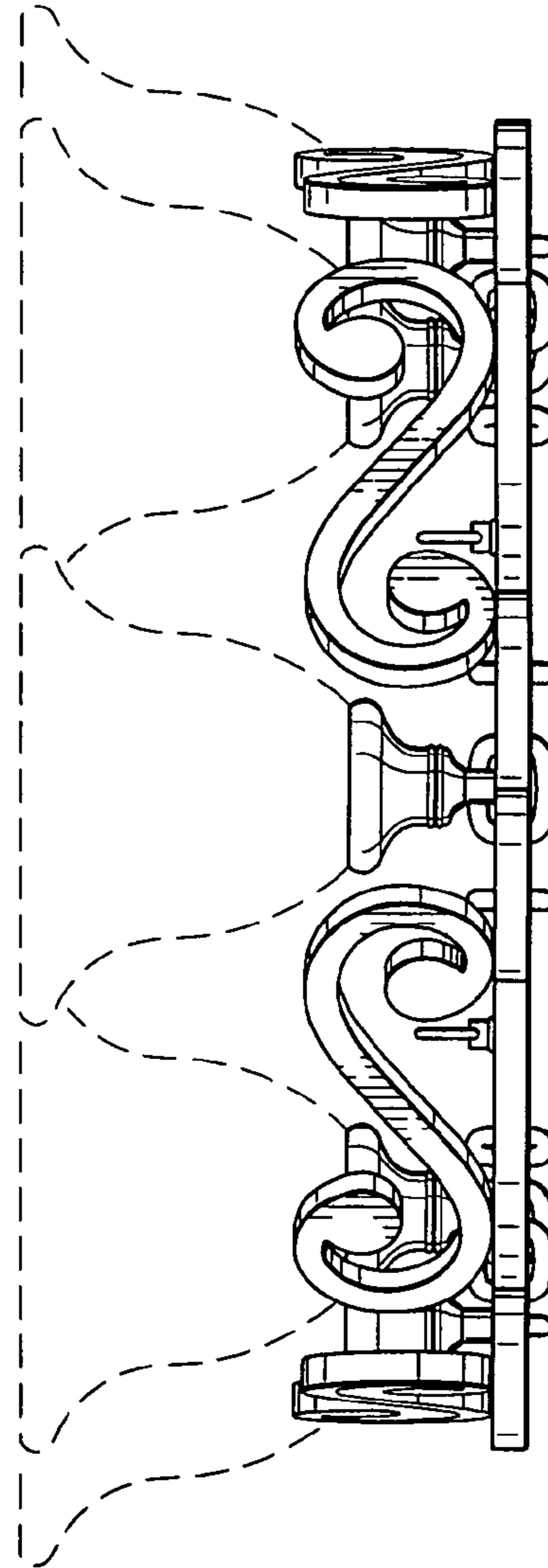


FIG. 3

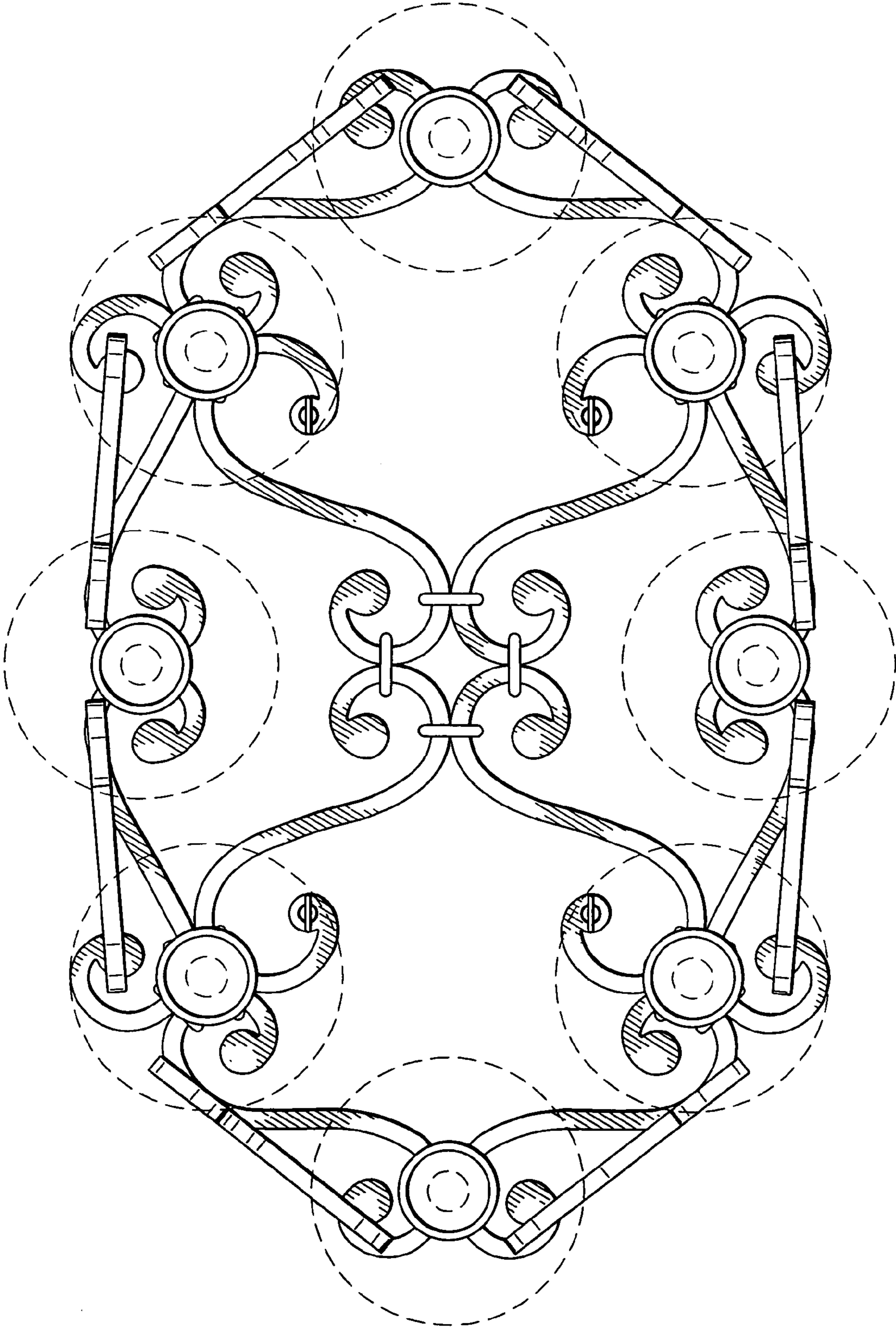


FIG. 4

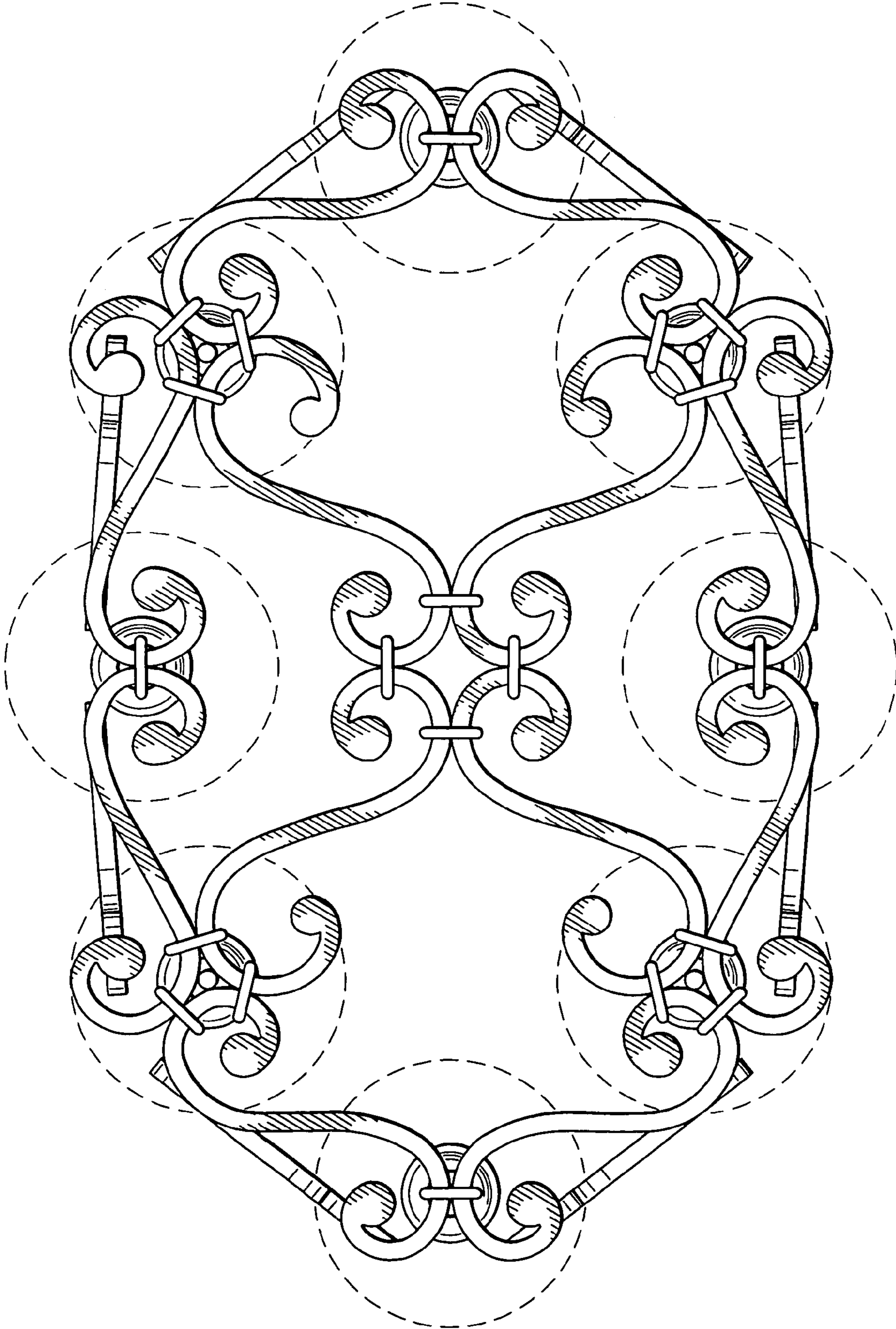


FIG. 5