



US00D573294S

(12) **United States Design Patent**
Chan et al.

(10) **Patent No.:** **US D573,294 S**
(45) **Date of Patent:** **** Jul. 15, 2008**

(54) **LIGHTING DEVICE**

(75) Inventors: **Wai Kwan Chan**, Tai Po (HK); **Paul Kenneth Pickard**, Morrisville, NC (US); **Gerald H. Negley**, Durham, NC (US); **Antony Paul Van De Ven**, Sai Kung (HK); **Gary David Trott**, Morrisville, NC (US)

(73) Assignee: **Cree LED Lighting Solutions, Inc.**, Durham, NC (US)

(**) Term: **14 Years**

(21) Appl. No.: **29/279,351**

(22) Filed: **Apr. 27, 2007**

(51) **LOC (8) Cl.** **26-05**

(52) **U.S. Cl.** **D26/74**

(58) **Field of Classification Search** D26/1-3,
D26/74-79, 118, 131; 362/27.1, 118, 147-148,
362/287, 348, 364-368, 372, 427, 455, 647,
362/802; 439/409, 419; 248/343

See application file for complete search history.

(56) **References Cited**

U.S. PATENT DOCUMENTS

382,210	A *	5/1888	Black	431/301
D50,559	S	4/1917	Martin		
1,674,165	A	6/1928	Dorey		
D79,309	S *	8/1929	Sanford	D26/2
2,010,322	A	8/1935	Riddell		
D107,878	S	1/1938	Levy		
D115,970	S	8/1939	Stewart		
D160,640	S	10/1950	Magroch		
2,835,791	A	5/1958	Horwitz		
2,878,425	A	3/1959	Kudoh		
3,040,172	A	6/1962	Kingsley		
D196,618	S	10/1963	Hammes		
D197,985	S	4/1964	Dawson		
3,330,951	A	7/1967	Neal		
3,697,742	A	10/1972	Bobrick		
3,705,302	A	12/1972	Judge et al.		
3,950,638	A	4/1976	Kent et al.		

D247,562	S	3/1978	Walker et al.		
4,173,037	A *	10/1979	Henderson et al.	362/287
4,241,393	A	12/1980	Olson		
D259,518	S	6/1981	Garcia et al.		

(Continued)

OTHER PUBLICATIONS

U.S. Appl. No. 29/267,856, filed Oct. 23, 2006, Chan et al.

(Continued)

Primary Examiner—Robert M. Spear
Assistant Examiner—Susan E Krakower
(74) *Attorney, Agent, or Firm*—Burr & Brown

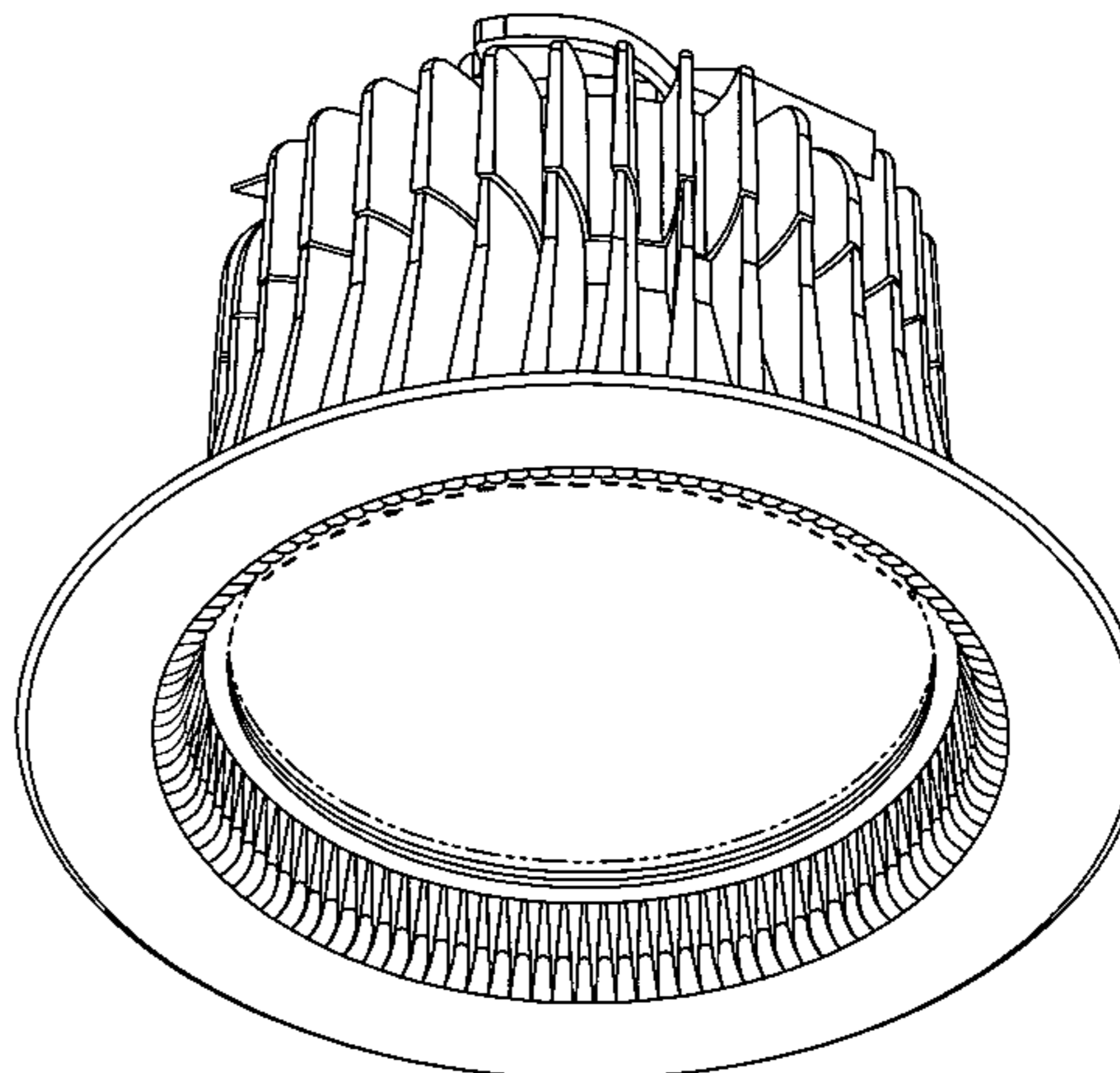
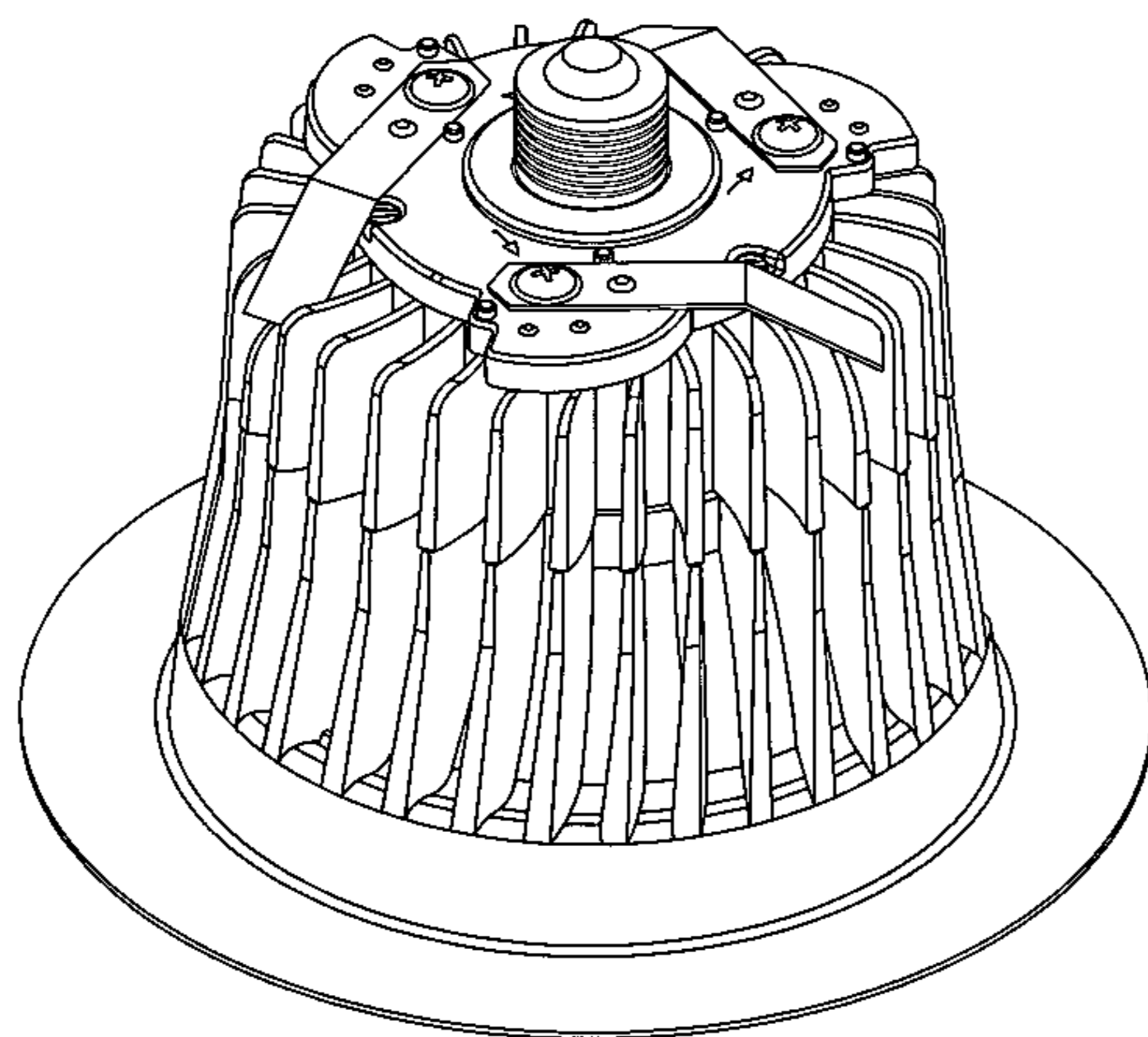
(57) **CLAIM**

The ornamental design for a lighting device, as shown and described.

DESCRIPTION

FIG. 1 is a front view of the lighting device in accordance with our new design;
FIG. 2 is a back view thereof;
FIG. 3 is a right side view thereof;
FIG. 4 is a left side view thereof;
FIG. 5 is a top view thereof;
FIG. 6 is a bottom view thereof;
FIG. 7 is a top, right, back, perspective view thereof; and,
FIG. 8 is a bottom, right, front, perspective view thereof.
The broken lines in the drawings represent unclaimed environmental subject matter.

1 Claim, 6 Drawing Sheets



U.S. PATENT DOCUMENTS

D264,007 S 4/1982 Heritage
 4,336,575 A 6/1982 Gilman
 4,388,677 A 6/1983 Druffel
 4,453,203 A 6/1984 Pate
 4,703,406 A 10/1987 Elliott et al.
 4,729,080 A 3/1988 Fremont et al.
 4,761,721 A 8/1988 Willing
 4,803,603 A 2/1989 Carson
 D302,860 S * 8/1989 Anema D26/2
 4,972,339 A 11/1990 Gabrius
 D326,163 S 5/1992 Sonneman
 D326,537 S * 5/1992 Gattari D26/74
 5,183,330 A * 2/1993 Rishel et al. 362/372
 D340,514 S 10/1993 Liao
 5,287,259 A 2/1994 Lautzenheiser
 D347,292 S 5/1994 Roos et al.
 D352,797 S 11/1994 Mehaffey
 D353,910 S 12/1994 Hayman et al.
 5,373,431 A 12/1994 Hayman et al.
 5,440,471 A 8/1995 Zadeh
 5,465,199 A 11/1995 Bray et al.
 D370,550 S 6/1996 Lecluze
 D376,667 S 12/1996 Lucluze
 D381,454 S 7/1997 Lecluze
 D383,565 S 9/1997 Demshki et al.
 D386,277 S 11/1997 Lecluze
 D387,466 S 12/1997 Lecluze
 D388,526 S 12/1997 Bray
 D397,490 S 8/1998 Lecluze
 5,800,050 A 9/1998 Leadford
 5,823,664 A 10/1998 Demshki et al.
 5,857,766 A 1/1999 Sieczkowski
 D410,295 S 5/1999 Lueken et al.
 5,957,574 A 9/1999 Hentz et al.
 6,004,011 A 12/1999 Sieczkowski
 6,089,732 A 7/2000 Wright et al.
 6,095,669 A 8/2000 Cho
 6,123,438 A 9/2000 Hentz
 6,179,446 B1 * 1/2001 Sarmadi 362/264
 D437,654 S 2/2001 Chen
 6,217,189 B1 4/2001 Nassim
 6,283,430 B1 9/2001 Schubert et al.
 6,375,338 B1 4/2002 Cummings et al.
 6,474,846 B1 11/2002 Kelmelis et al.
 6,505,960 B2 1/2003 Schubert et al.
 D469,916 S 2/2003 Caferro et al.
 D471,314 S 3/2003 Guthrie
 D473,965 S 4/2003 Lecluze
 D474,298 S 5/2003 Lecluze
 D474,300 S 5/2003 Lecluze
 D476,108 S 6/2003 Lecluze
 6,588,922 B1 7/2003 DeCicco

6,632,006 B1 10/2003 Rippel et al.
 6,655,813 B1 * 12/2003 Ng 362/148
 D485,006 S * 1/2004 Huang D26/118
 D488,252 S 4/2004 Benghozi
 D488,583 S 4/2004 Benghozi
 D490,930 S 6/2004 Snead
 6,755,559 B2 6/2004 Wang et al.
 6,921,186 B1 7/2005 Viskovich
 D516,235 S 2/2006 Rashidi
 D527,119 S * 8/2006 Maxik et al. D26/2
 D528,673 S * 9/2006 Maxik et al. D26/2
 D538,951 S * 3/2007 Maxik et al. D26/2
 D538,952 S * 3/2007 Maxik et al. D26/2
 D544,128 S 6/2007 Carro
 D545,457 S * 6/2007 Chen D26/2
 D548,391 S 8/2007 Lecluze
 2003/0142499 A1 7/2003 Chiu
 2003/0185012 A1 10/2003 Sitzema et al.

OTHER PUBLICATIONS

U.S. Appl. No. 29/267,857, filed Oct. 23, 2006, Chan et al.
 U.S. Appl. No. 29/267,911, filed Oct. 23, 2006, Chan et al.
 U.S. Appl. No. 29/267,853, filed Oct. 23, 2006, Chan et al.
 U.S. Appl. No. 29/267,854, filed Oct. 23, 2006, Chan et al.
 U.S. Appl. No. 29/267,860, filed Oct. 23, 2006, Chan et al.
 U.S. Appl. No. 29/267,855, filed Oct. 23, 2006, Chan et al.
 U.S. Appl. No. 29/267,852, filed Oct. 23, 2006, Chan et al.
 U.S. Appl. No. 29/279,352, filed Apr. 27, 2007, Chan et al.
 U.S. Appl. No. 29/279,354, filed Apr. 27, 2007, Chan et al.
 U.S. Appl. No. 29/279,355, filed Apr. 27, 2007, Chan et al.
 U.S. Appl. No. 29/279,357, filed Apr. 27, 2007, Pickard et al.
 U.S. Appl. No. 29/279,589, filed May 3, 2007, Pickard et al.
 U.S. Appl. No. 29/279,591, filed May 3, 2007, Pickard et al.
 U.S. Appl. No. 29/284,294, filed Sep. 5, 2007, Pickard et al.
 DOE SSL Commercial Product Testing Program Report, DOE SSL CPTP Report Product Test Reference # CPTP 07-09 Replacement Lamp, (2007), pp. 1-23.
 DOE SSL Commercial Product Testing Program Report, DOE SSL CPTP Report Product Test Reference # CPTP 07-04 Downlight, (2007), pp. 1-13.
 DOE SSL Commercial Product Testing Program Report, DOE SSL CPTP Report Product Test Reference # CPTP 07-05 Downlight, (2007), pp. 1-13.
 DOE SSL Commercial Product Testing Program Report, DOE SSL CPTP Report Product Test Reference # CPTP 07-06 Replacement Lamp, (2007), pp. 1-22.
 DOE SSL Commercial Product Testing Program Report, DOE SSL CPTP Report Product Test Reference # CPTP 07-08 Replacement Lamp, (2007), pp. 1-22.
 EVO Lighting—Solid State LED Lighting, http://www.renaissance-lighting.com/index_PA.php?t=line&Type=1, evo is a product of RL Light, 2007, pp. 1-15.

* cited by examiner

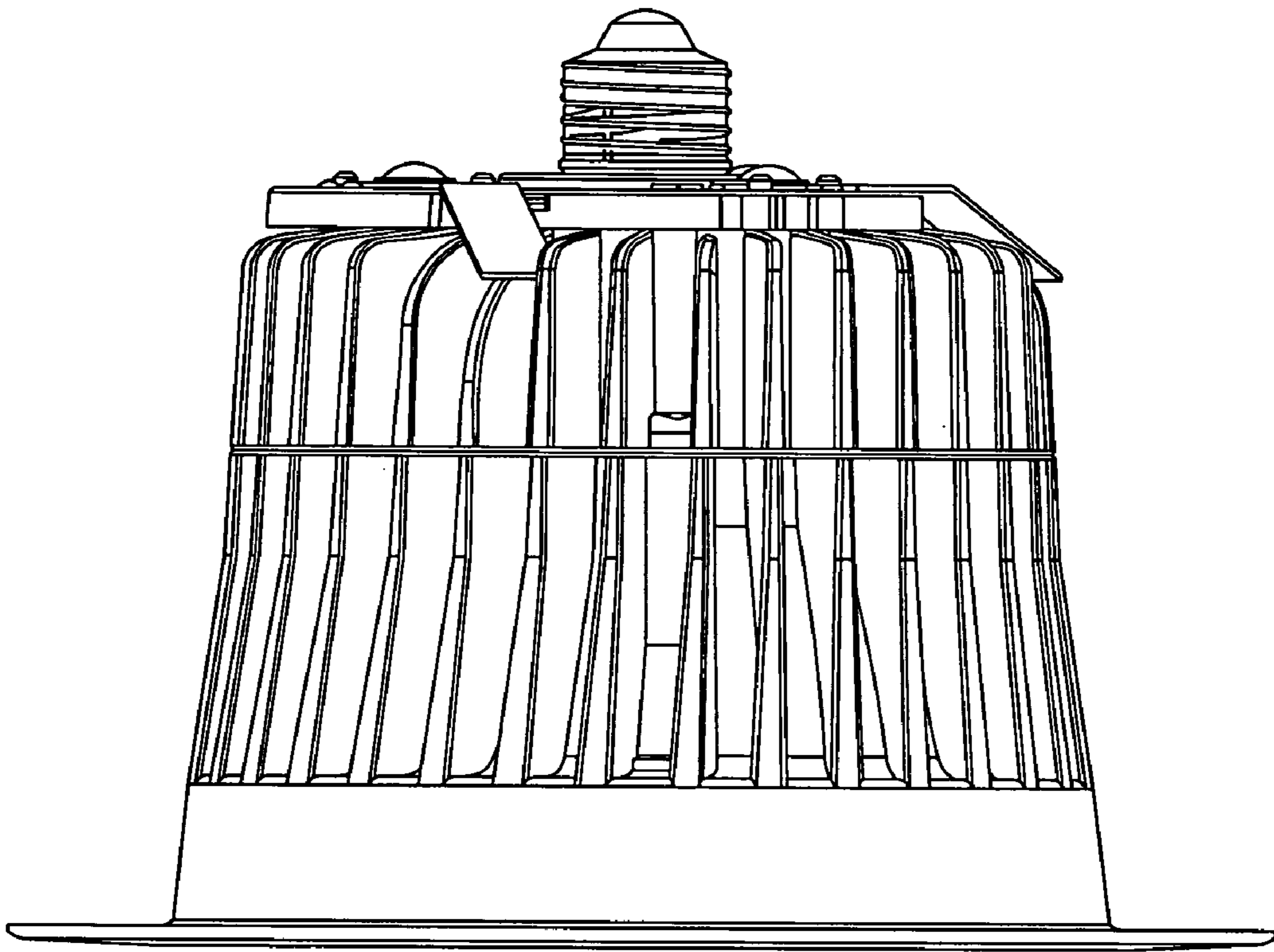


FIG. 1

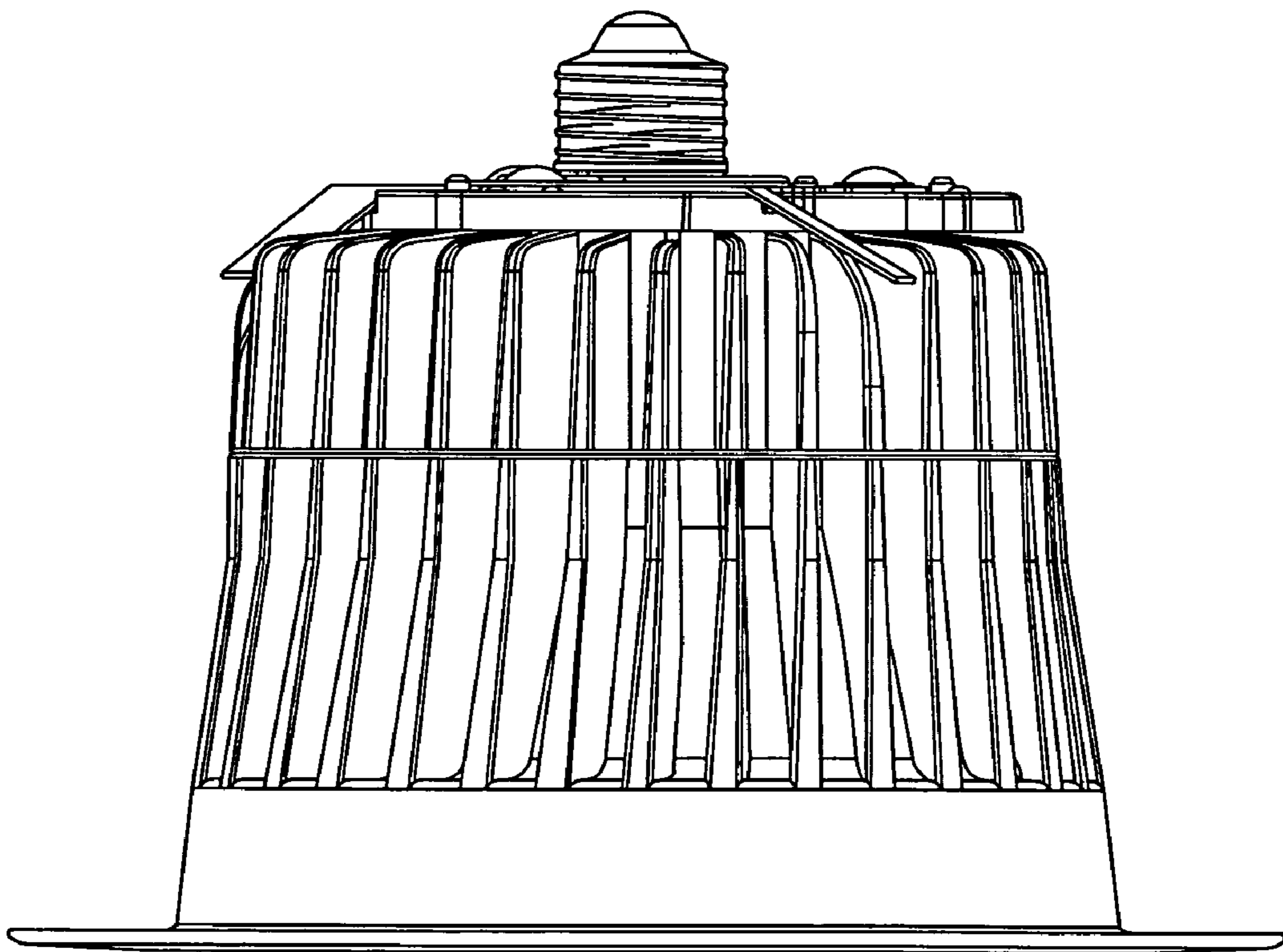


FIG. 2

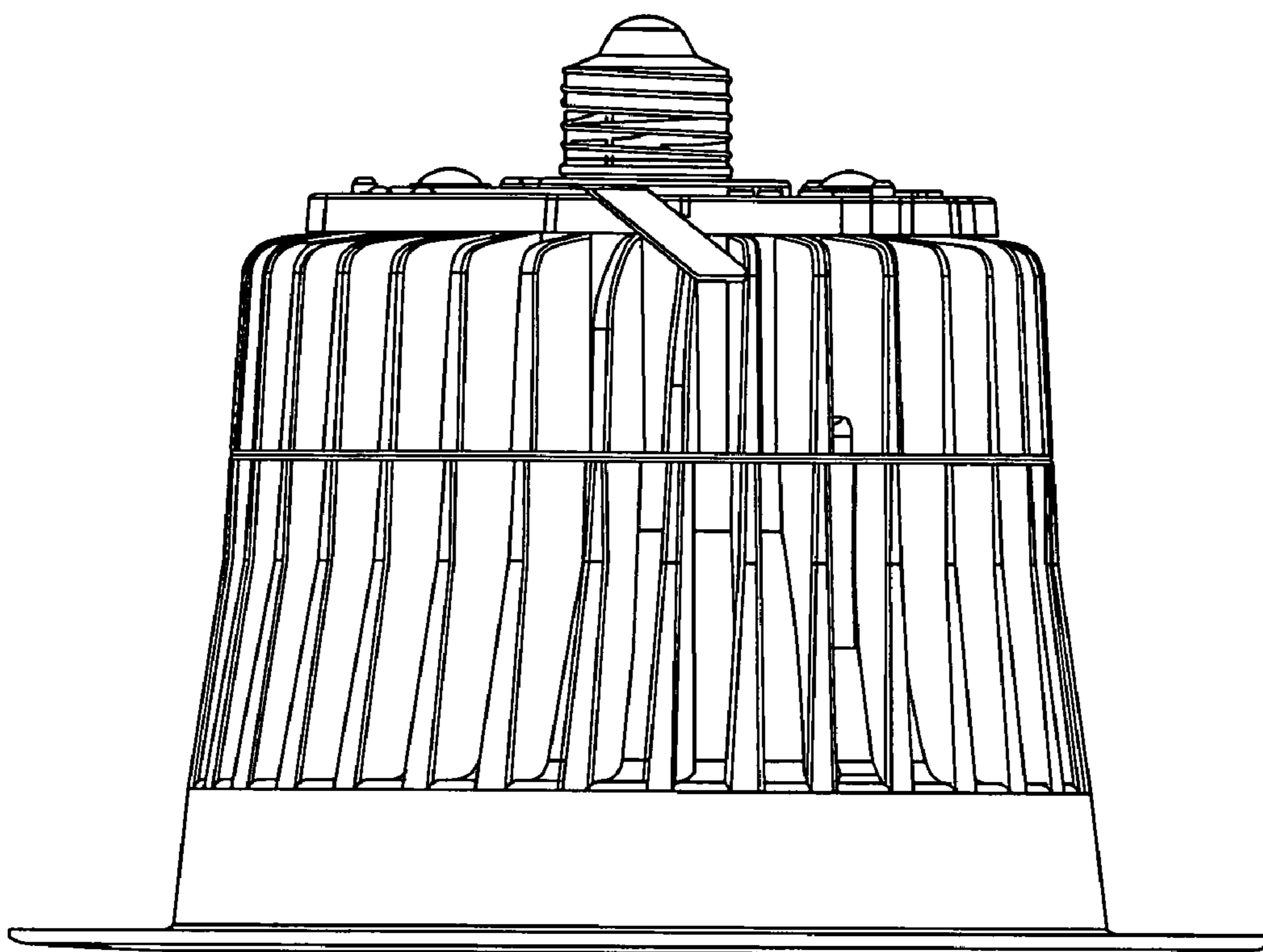


FIG. 3

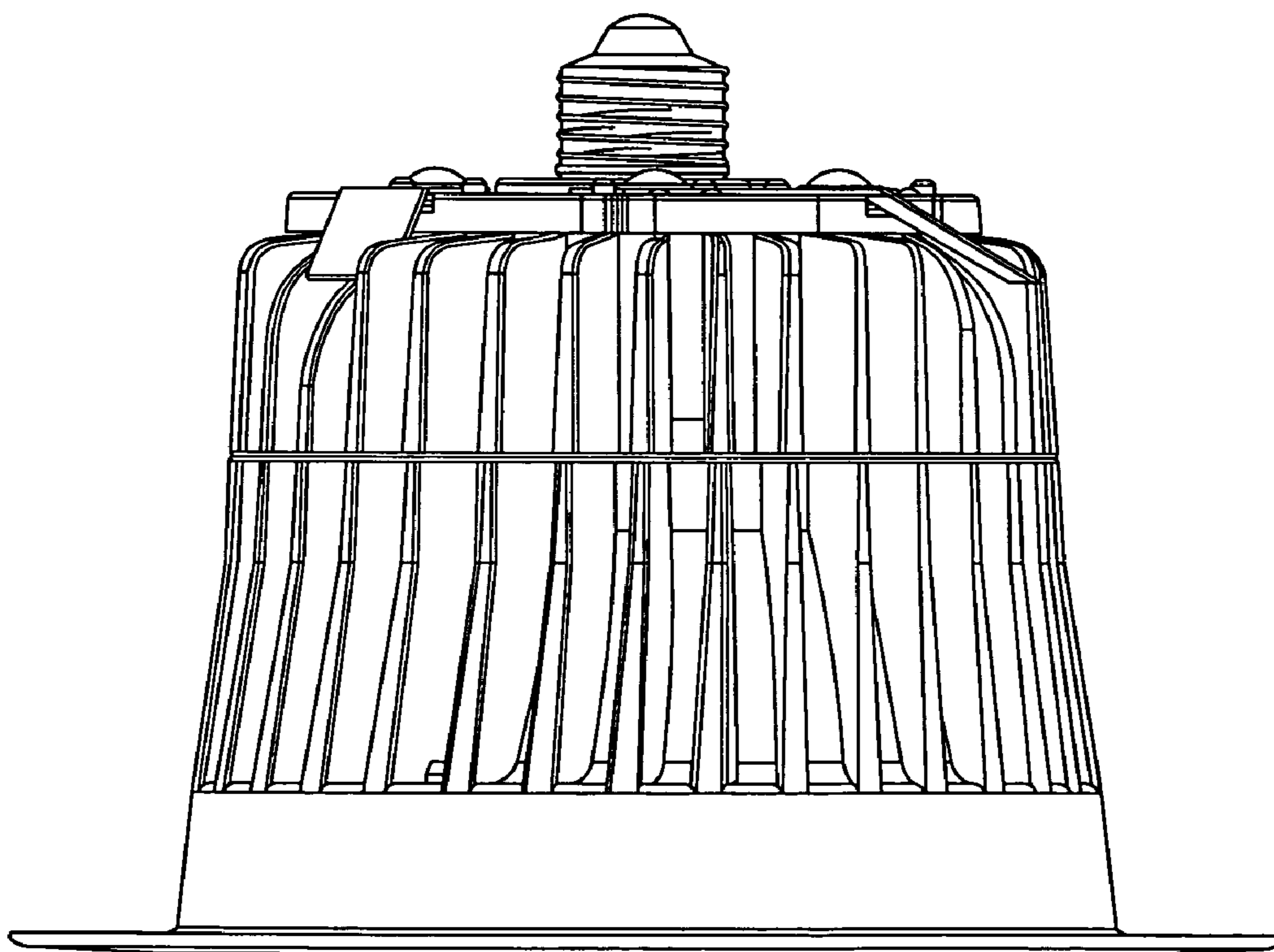


FIG. 4

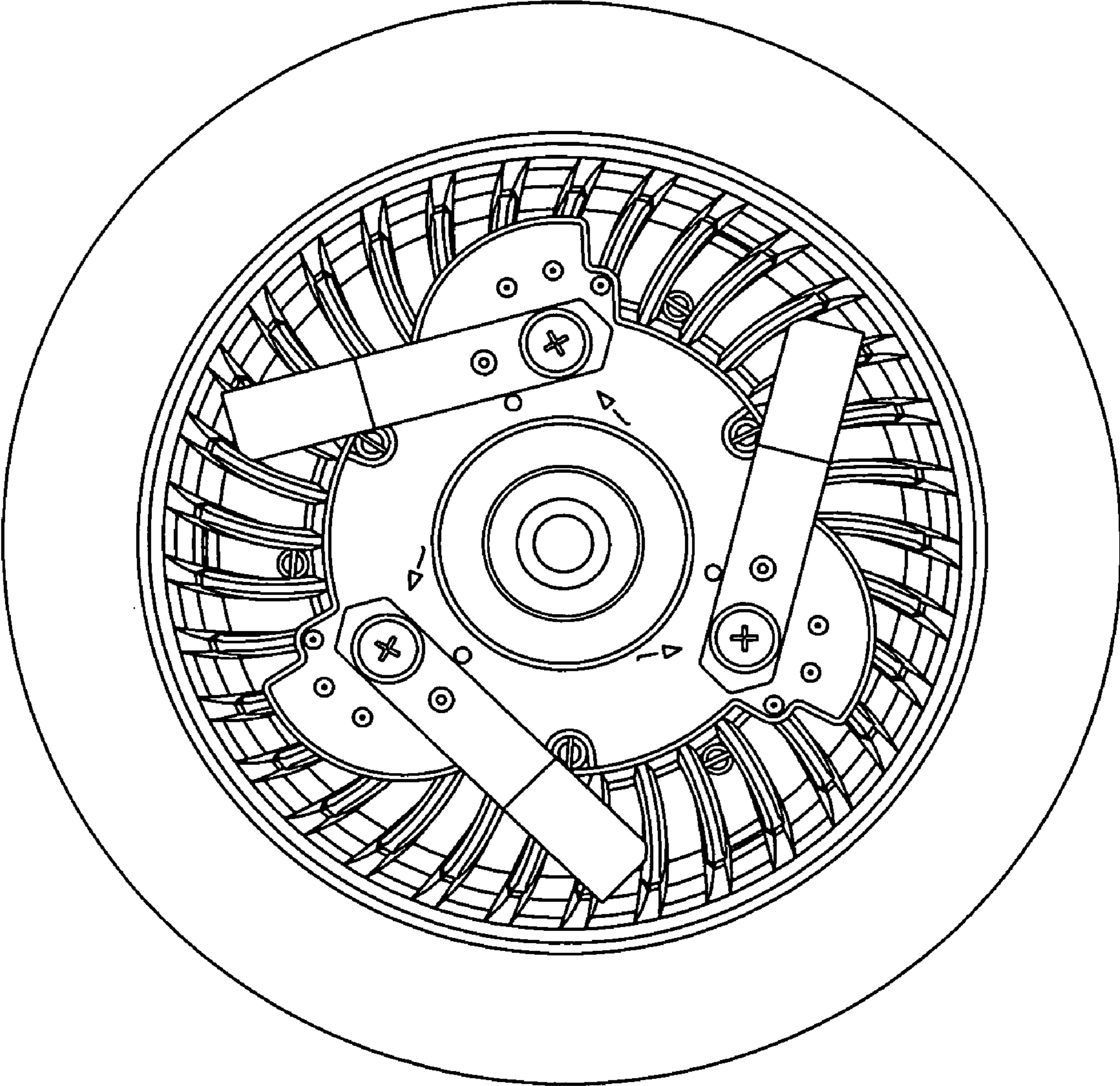


FIG.5

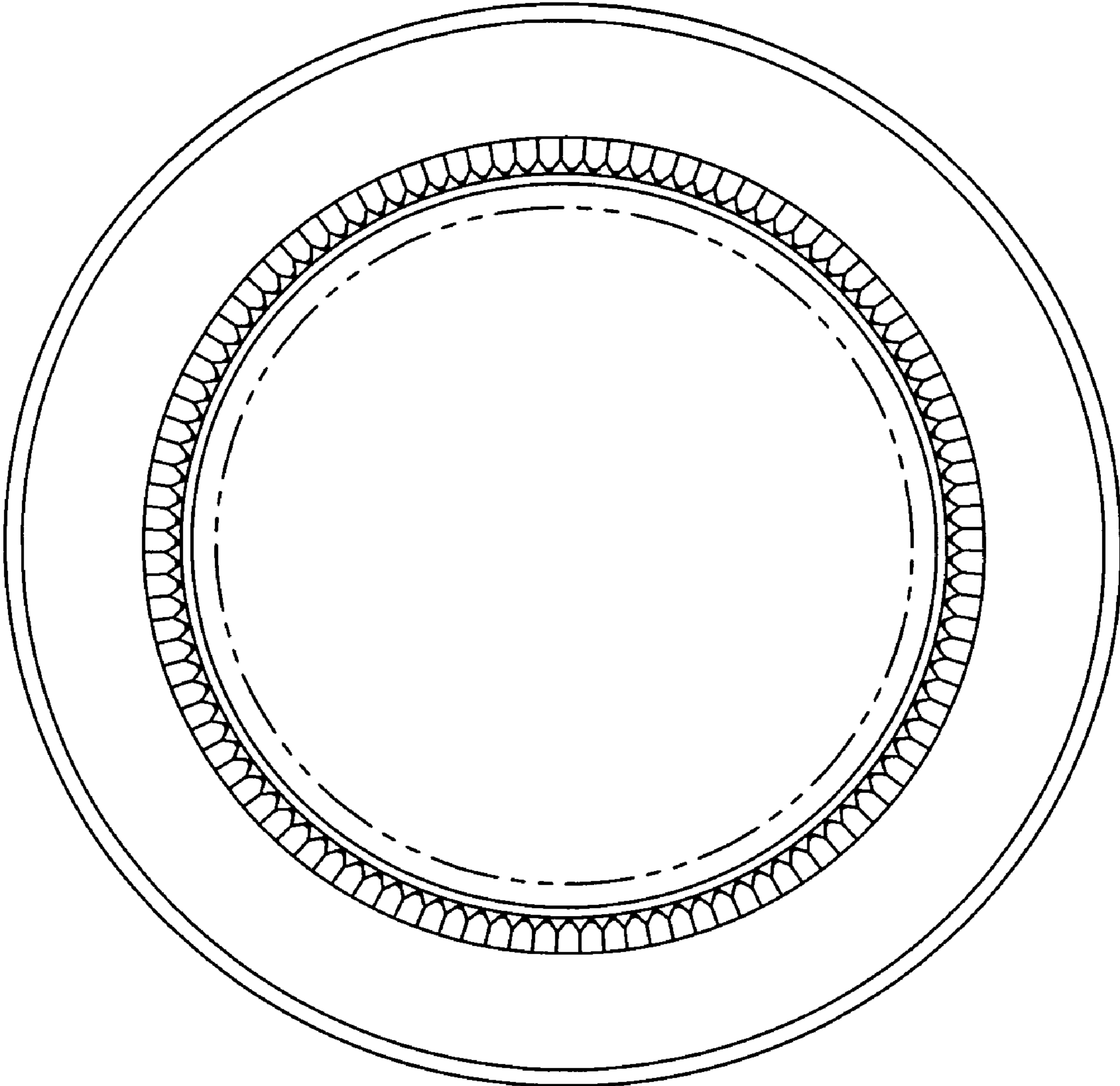


FIG.6

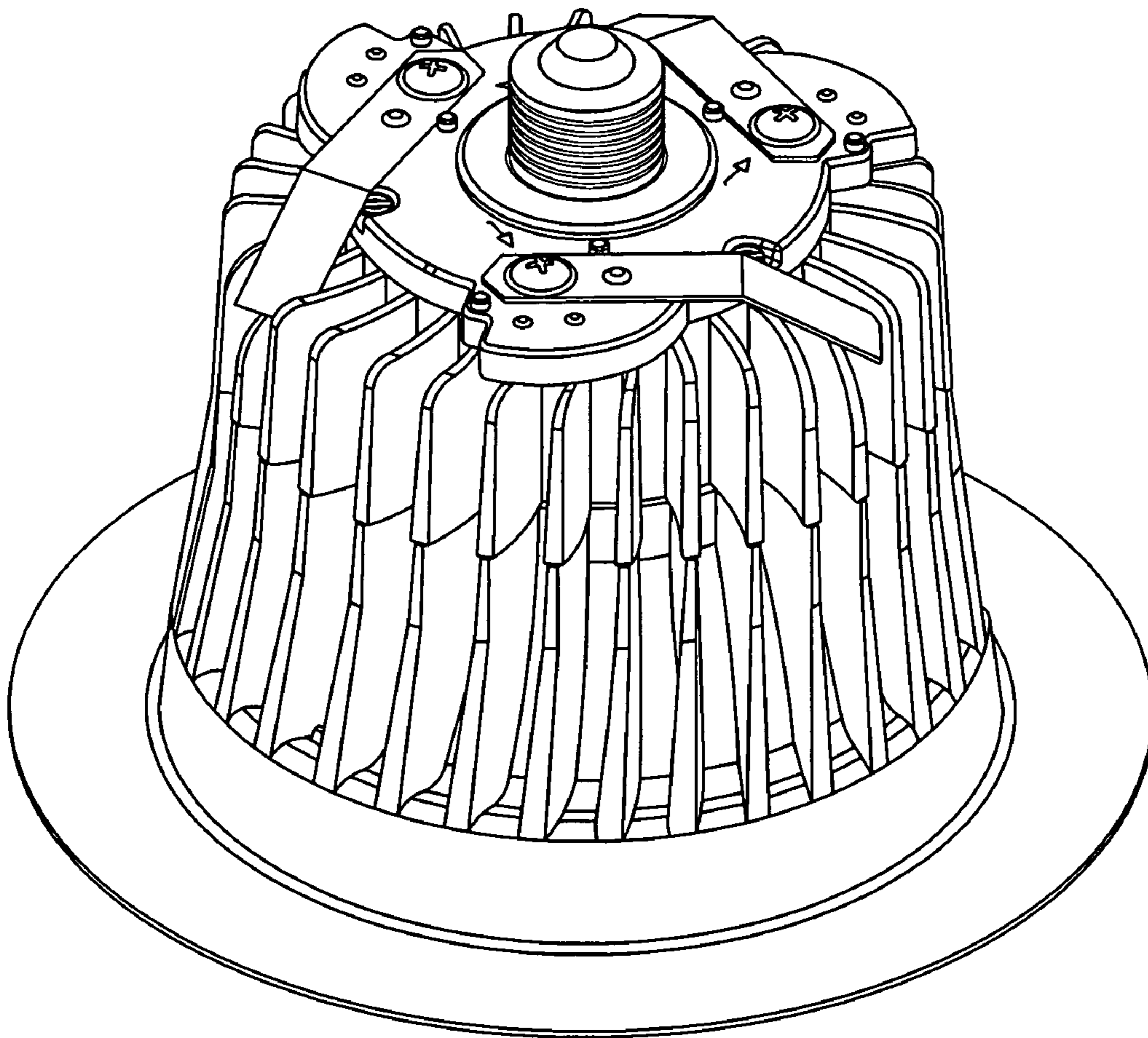


FIG.7

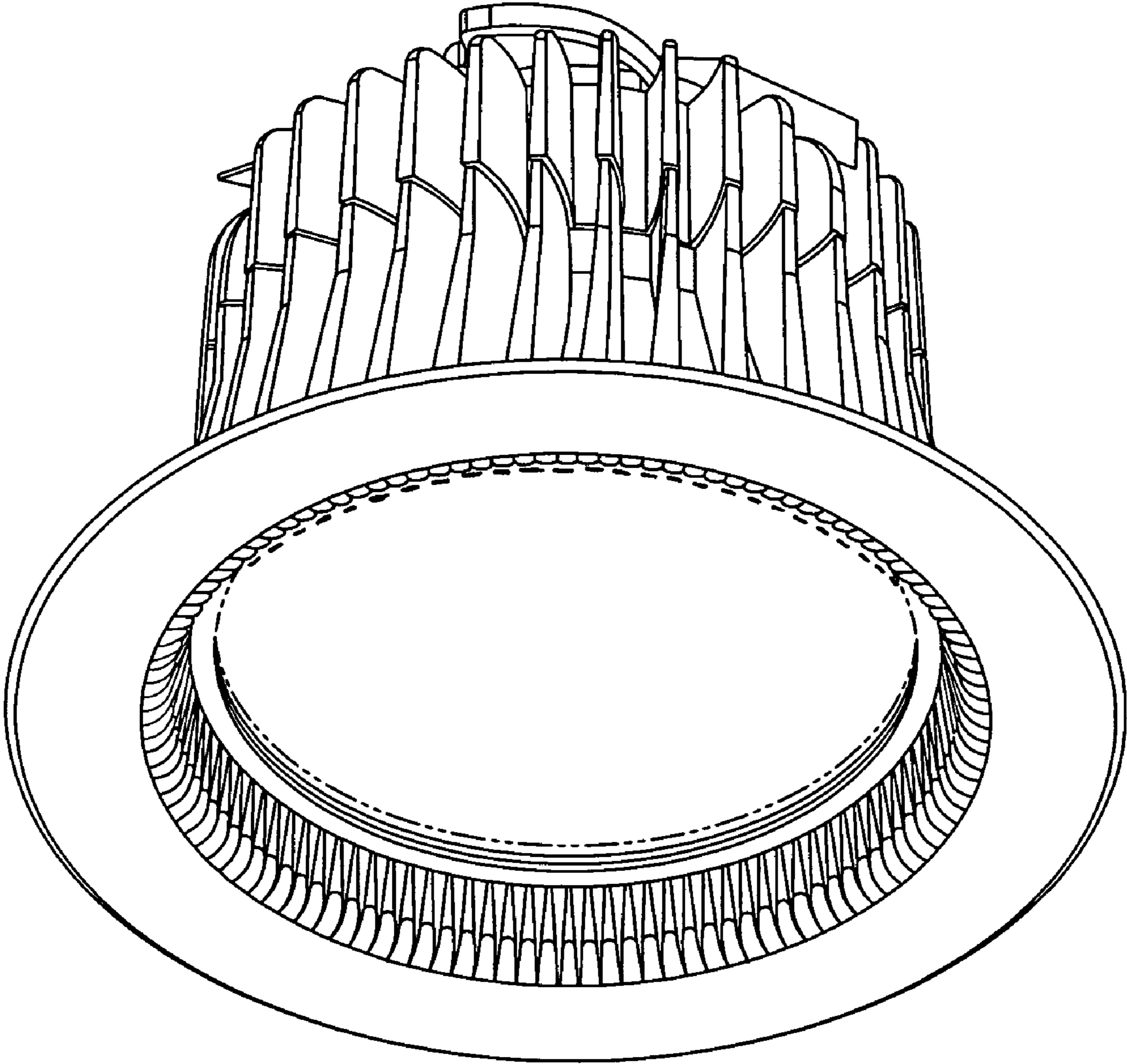


FIG.8