



US00D573292S

(12) **United States Design Patent**  
**Zheng et al.**

(10) **Patent No.:** **US D573,292 S**

(45) **Date of Patent:** **\*\* Jul. 15, 2008**

(54) **LED LAMP**

(75) Inventors: **Shi-Song Zheng**, Shenzhen (CN);  
**Yi-San Liu**, Shenzhen (CN); **Li He**,  
Shenzhen (CN)

(73) Assignee: **Foxconn Technology Co., Ltd.**,  
Tu-Cheng, Taipei Hsien (TW)

(\*\*) Term: **14 Years**

(21) Appl. No.: **29/299,068**

(22) Filed: **Dec. 19, 2007**

(51) **LOC (8) Cl.** ..... **26-05**

(52) **U.S. Cl.** ..... **D26/71; D26/92**

(58) **Field of Classification Search** ..... D26/67-71,  
D26/92; 362/145, 183, 431, 545, 800  
See application file for complete search history.

(56) **References Cited**

**U.S. PATENT DOCUMENTS**

- D168,812 S \* 2/1953 Ulrick ..... D26/67
- D175,053 S \* 6/1955 Vesely et al. .... D26/67
- 3,183,346 A \* 5/1965 Rodmaker et al. .... 362/218
- D207,551 S \* 5/1967 Spaulding ..... D26/71

- D207,736 S \* 5/1967 Johnson ..... D26/71
- D208,491 S \* 9/1967 Brooks ..... D26/71
- D236,909 S \* 9/1975 Richilano ..... D26/68
- D356,876 S \* 3/1995 Waldmann ..... D26/107
- D404,511 S \* 1/1999 Compton ..... D26/67
- D437,958 S \* 2/2001 Doron et al. .... D26/71

\* cited by examiner

*Primary Examiner*—Clare E Heflin

(74) *Attorney, Agent, or Firm*—Frank R. Niranjan

(57) **CLAIM**

The ornamental design for an LED lamp, as shown.

**DESCRIPTION**

FIG. 1 is a perspective view of an LED lamp showing our new design;

FIG. 2 is a front elevational view thereof;

FIG. 3 is a rear elevational view thereof;

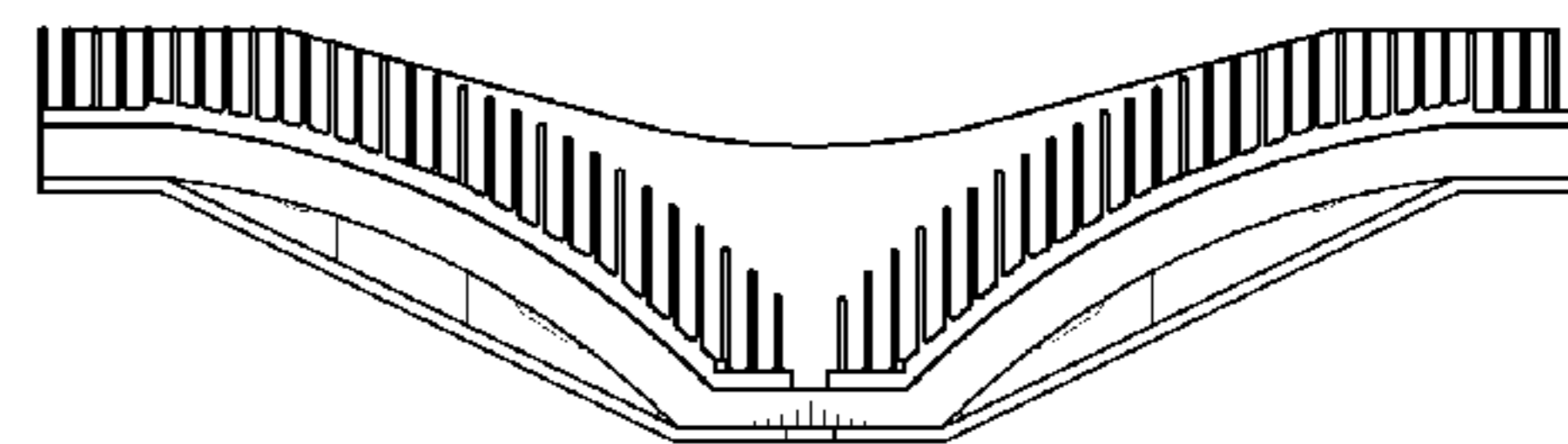
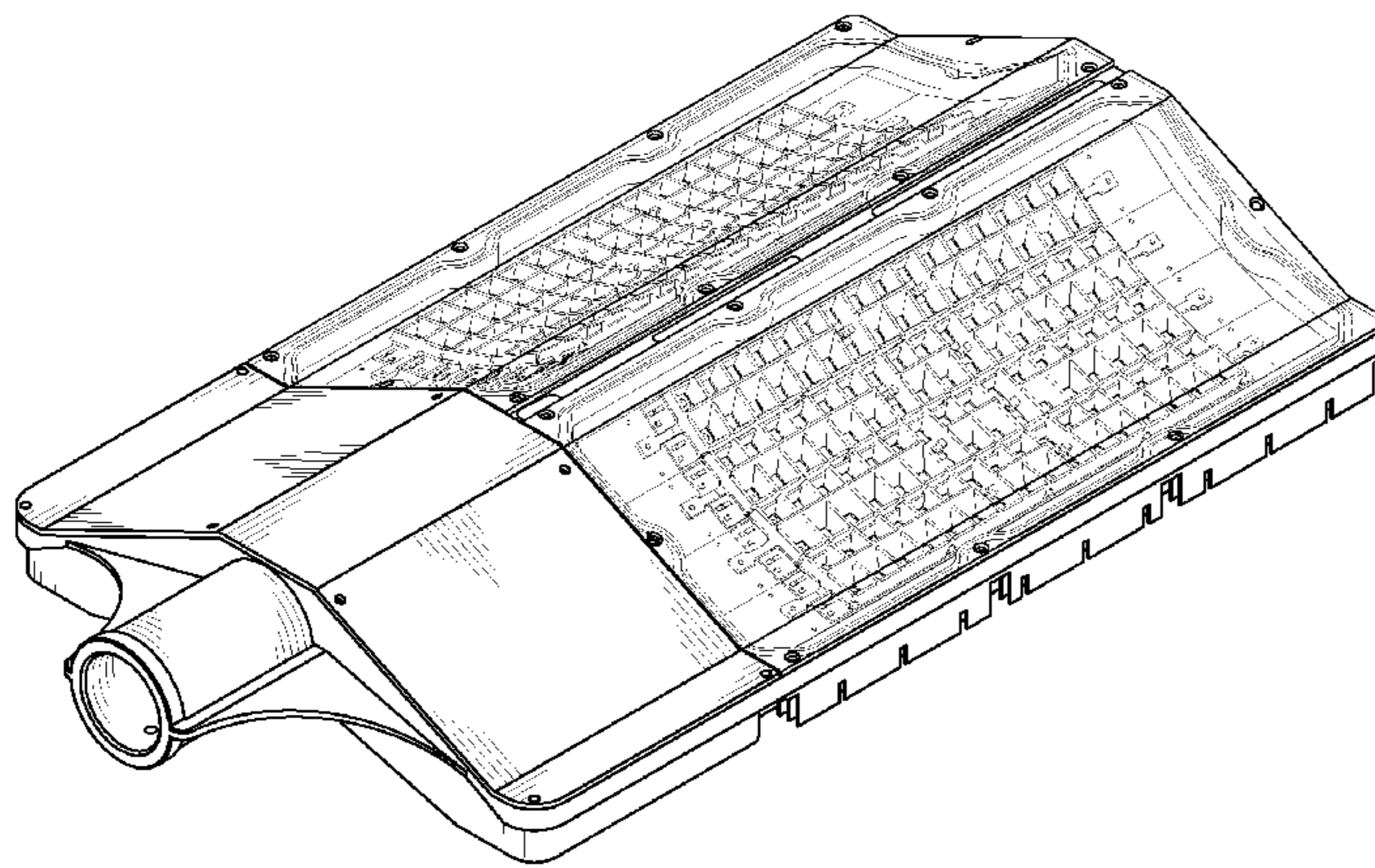
FIG. 4 is a left-side, elevational view thereof;

FIG. 5 is a right-side, elevational view thereof;

FIG. 6 is a top plan view thereof; and,

FIG. 7 is a bottom plan view thereof.

**1 Claim, 7 Drawing Sheets**



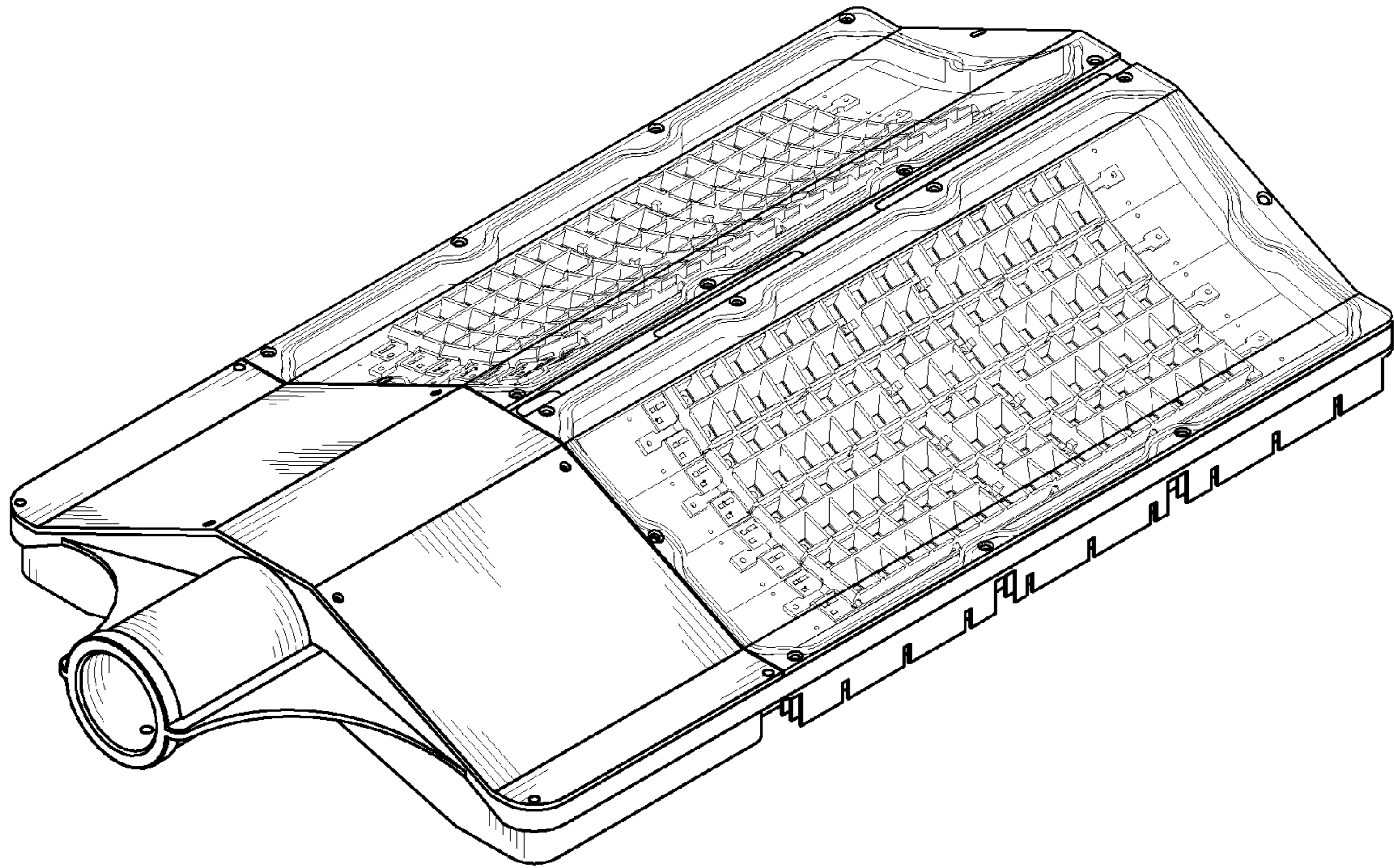


FIG. 1

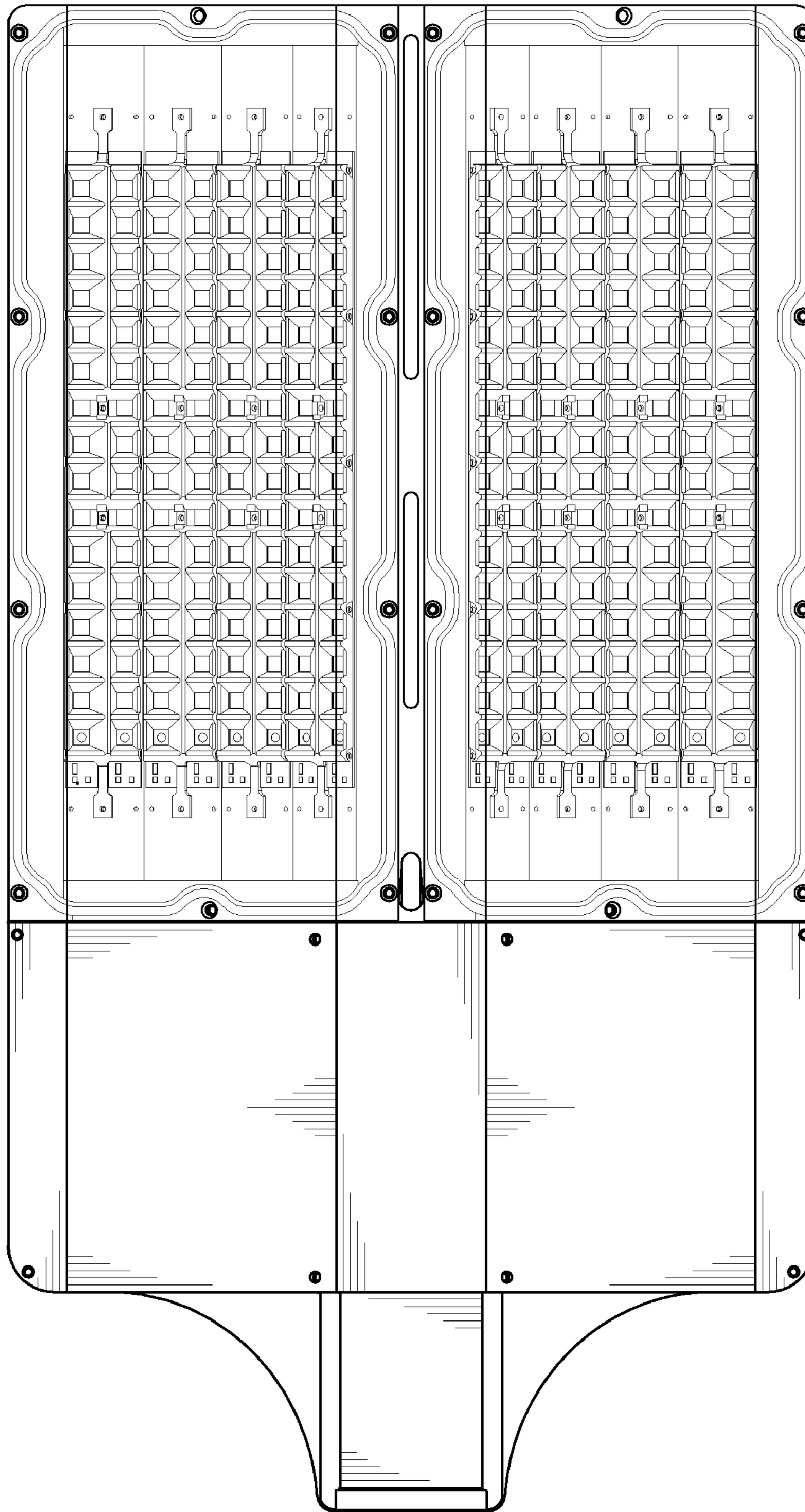


FIG. 2



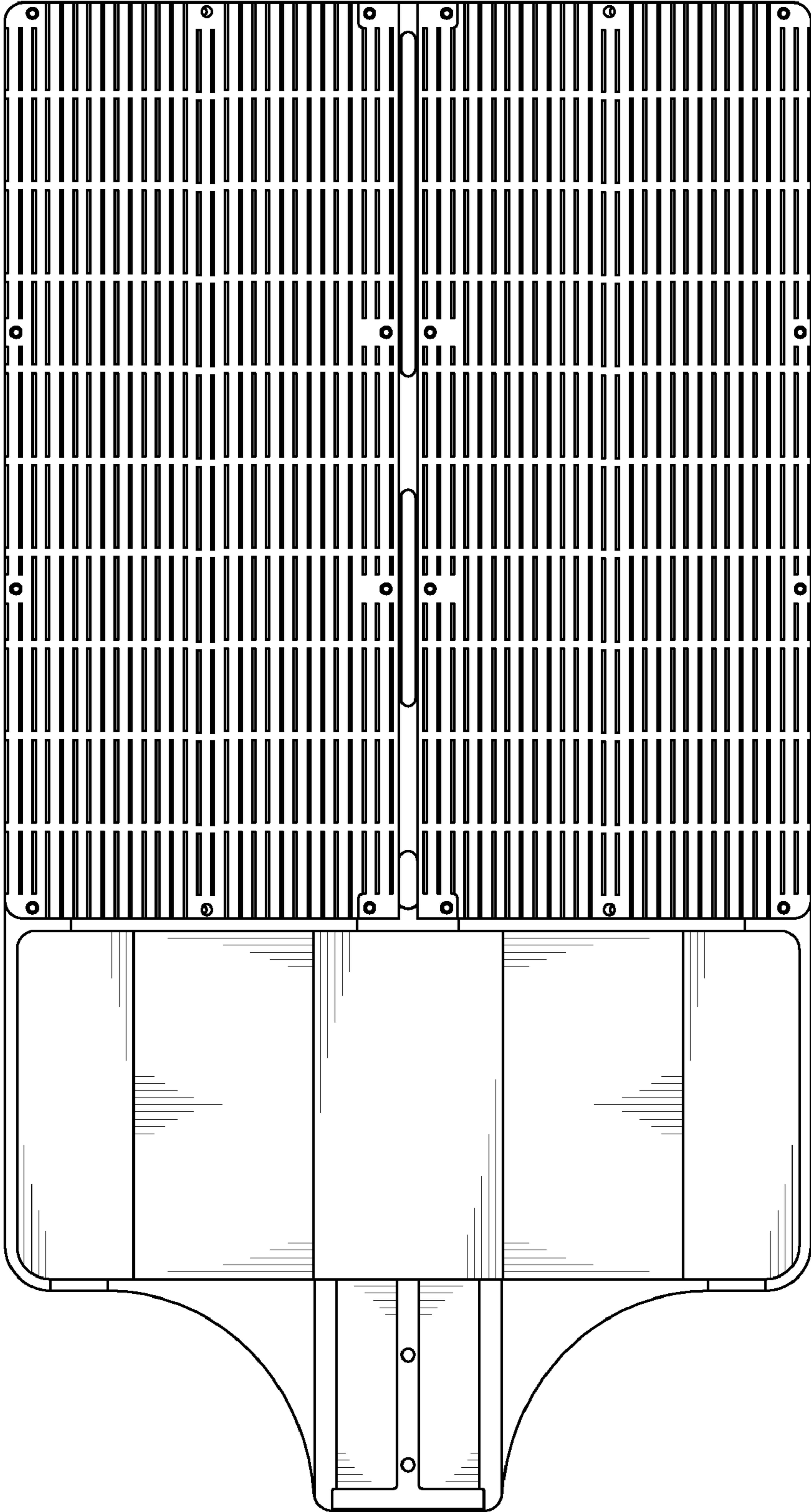


FIG. 3

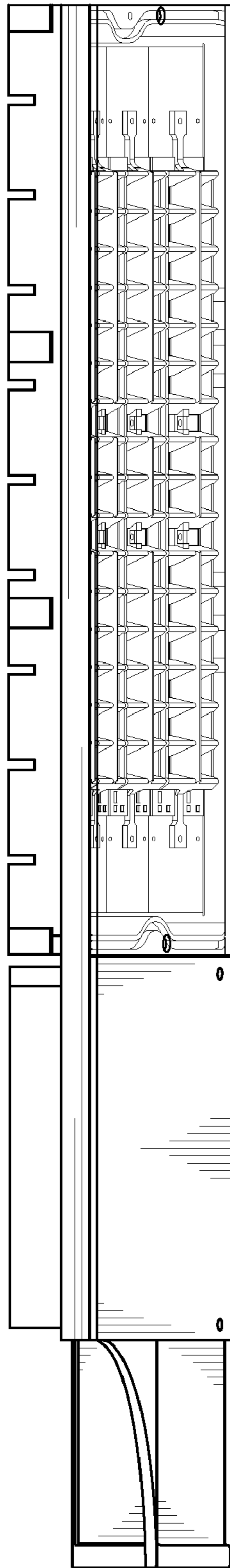


FIG. 4

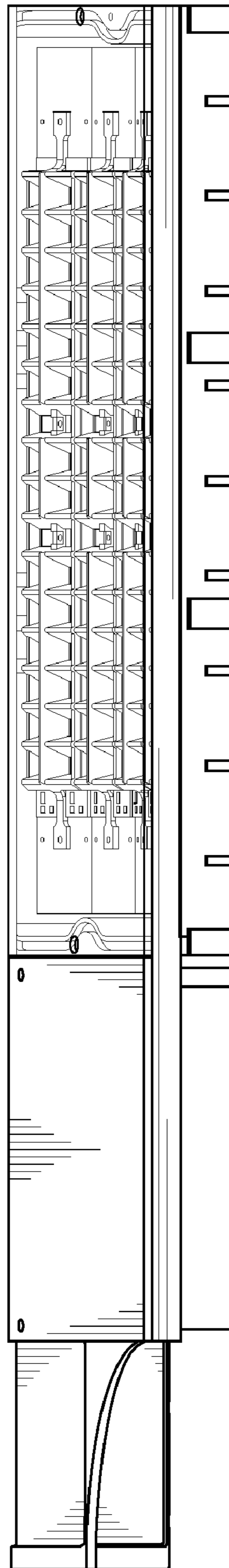


FIG. 5

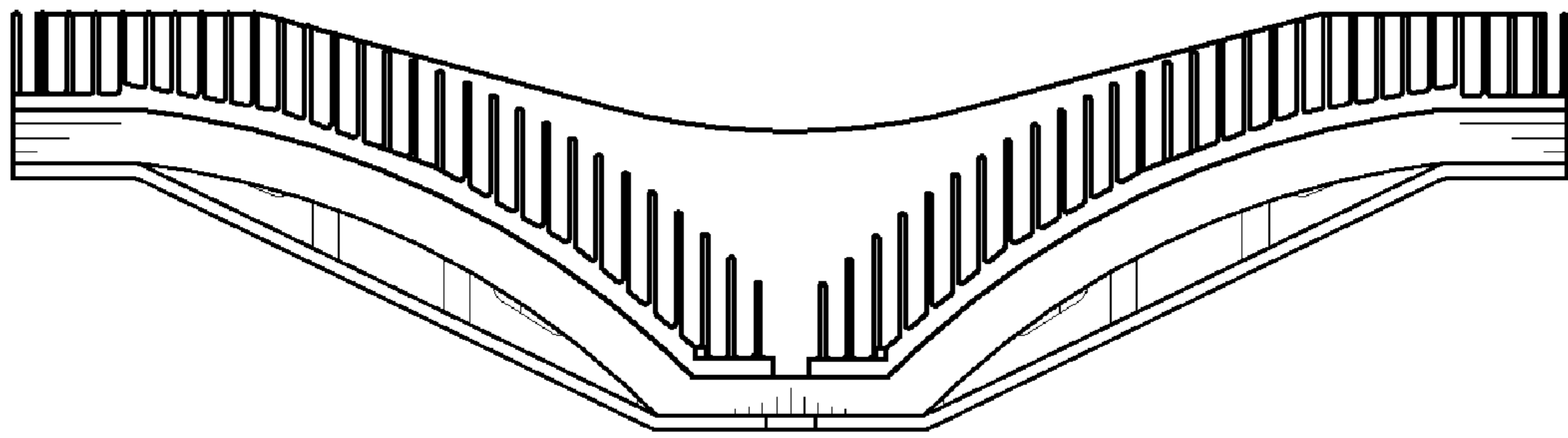


FIG. 6

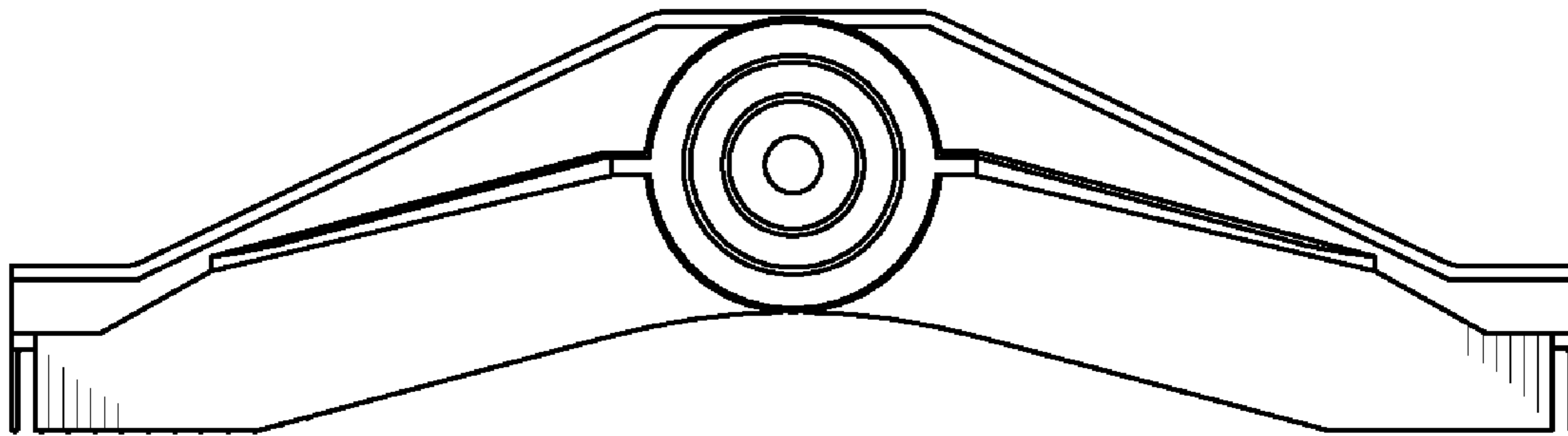


FIG. 7