



US00D573290S

(12) **United States Design Patent**  
**Shuai et al.**

(10) **Patent No.:** **US D573,290 S**  
(45) **Date of Patent:** **\*\* Jul. 15, 2008**

(54) **LED LAMP**

(75) Inventors: **Chun-Jiang Shuai**, Shenzhen (CN);  
**Guang Yu**, Shenzhen (CN)

(73) Assignee: **Foxconn Technology Co., Ltd.**,  
Tu-Cheng, Taipei Hsien (TW)

(\*\*) Term: **14 Years**

(21) Appl. No.: **29/299,599**

(22) Filed: **Dec. 29, 2007**

(51) **LOC (8) Cl.** ..... **26-05**

(52) **U.S. Cl.** ..... **D26/67; D26/70**

(58) **Field of Classification Search** ..... **D26/67-71,**  
**D26/92; 362/145, 183, 431, 545, 800**  
See application file for complete search history.

(56) **References Cited**

**U.S. PATENT DOCUMENTS**

- D215,068 S \* 8/1969 Kostriksy ..... D26/67
- D226,778 S \* 4/1973 Breed et al. .... D26/67
- D230,071 S \* 1/1974 Anderson, Jr. .... D26/67

- D233,691 S \* 11/1974 Geisler ..... D26/69
- D238,961 S \* 2/1976 Frieberg ..... D26/67
- D360,965 S \* 8/1995 Cullen et al. .... D26/68

\* cited by examiner

*Primary Examiner*—Clare E Heflin

(74) *Attorney, Agent, or Firm*—Frank R. Niranjana

(57) **CLAIM**

The ornamental design for an LED lamp, as shown.

**DESCRIPTION**

FIG. 1 is a perspective view of an LED lamp showing our new design;

FIG. 2 is a front elevational view thereof;

FIG. 3 is a rear elevational view thereof;

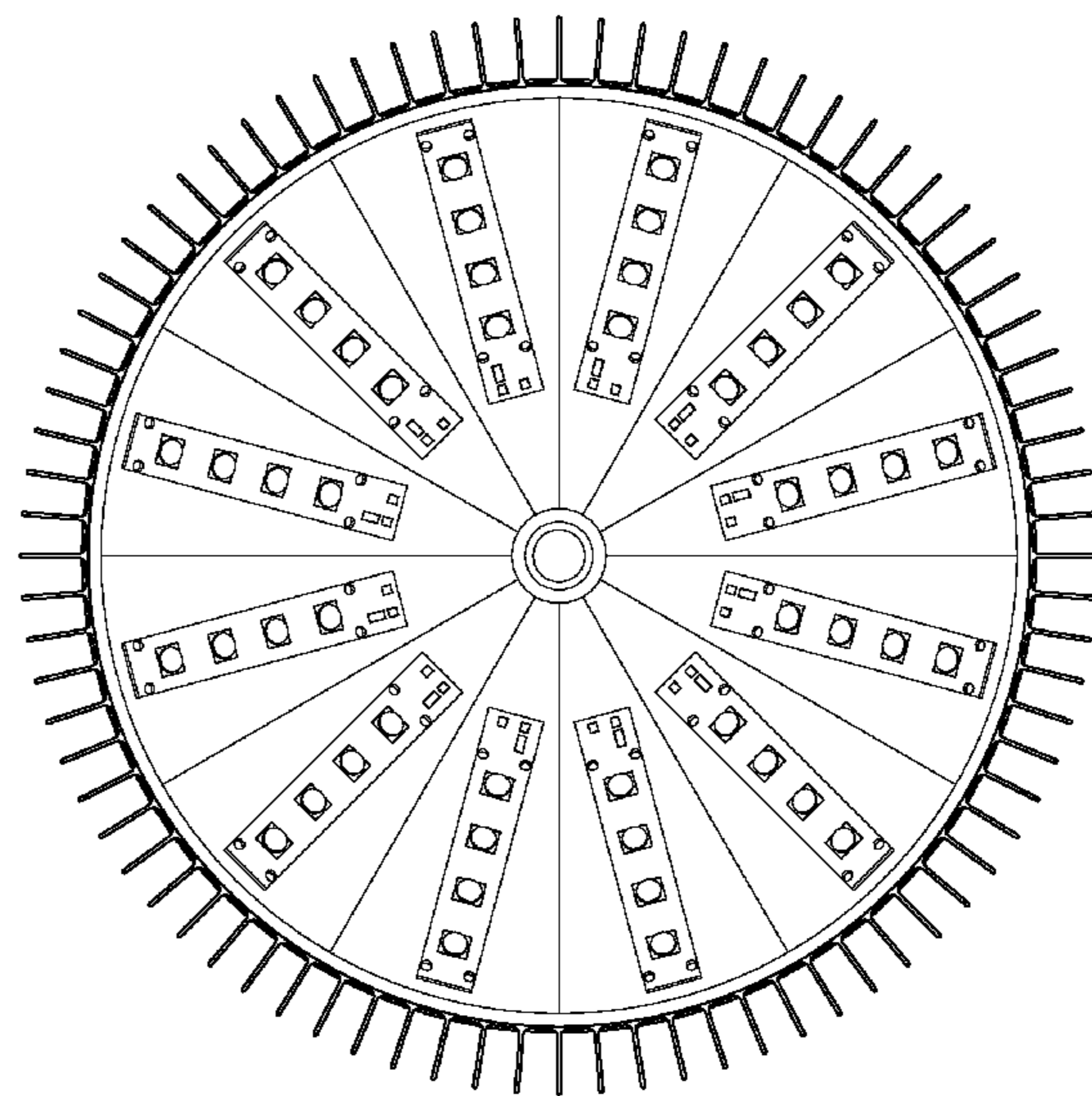
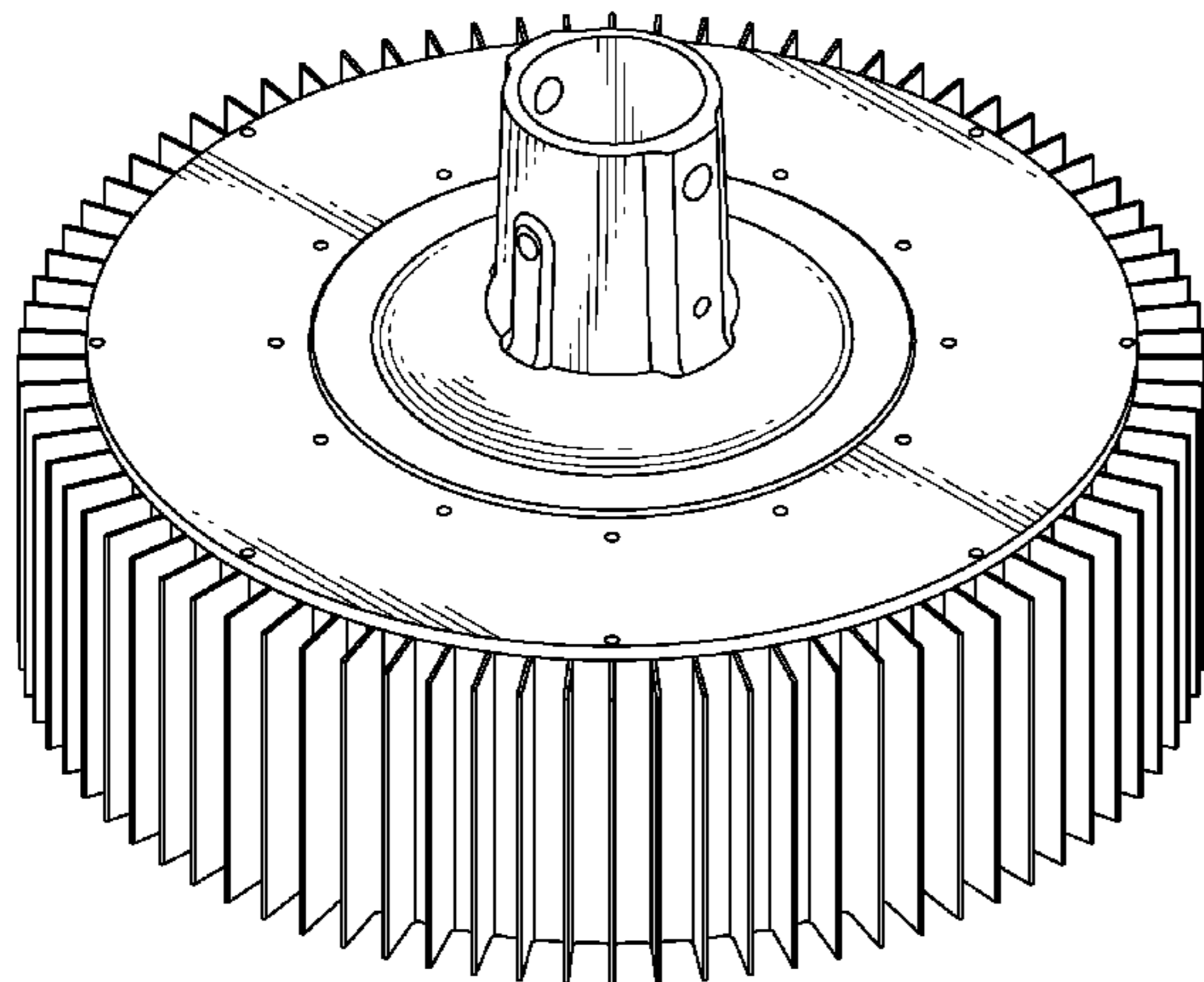
FIG. 4 is a left-side, elevational view thereof;

FIG. 5 is a right-side, elevational view thereof;

FIG. 6 is a top plan view thereof; and,

FIG. 7 is a bottom plan view thereof.

**1 Claim, 7 Drawing Sheets**



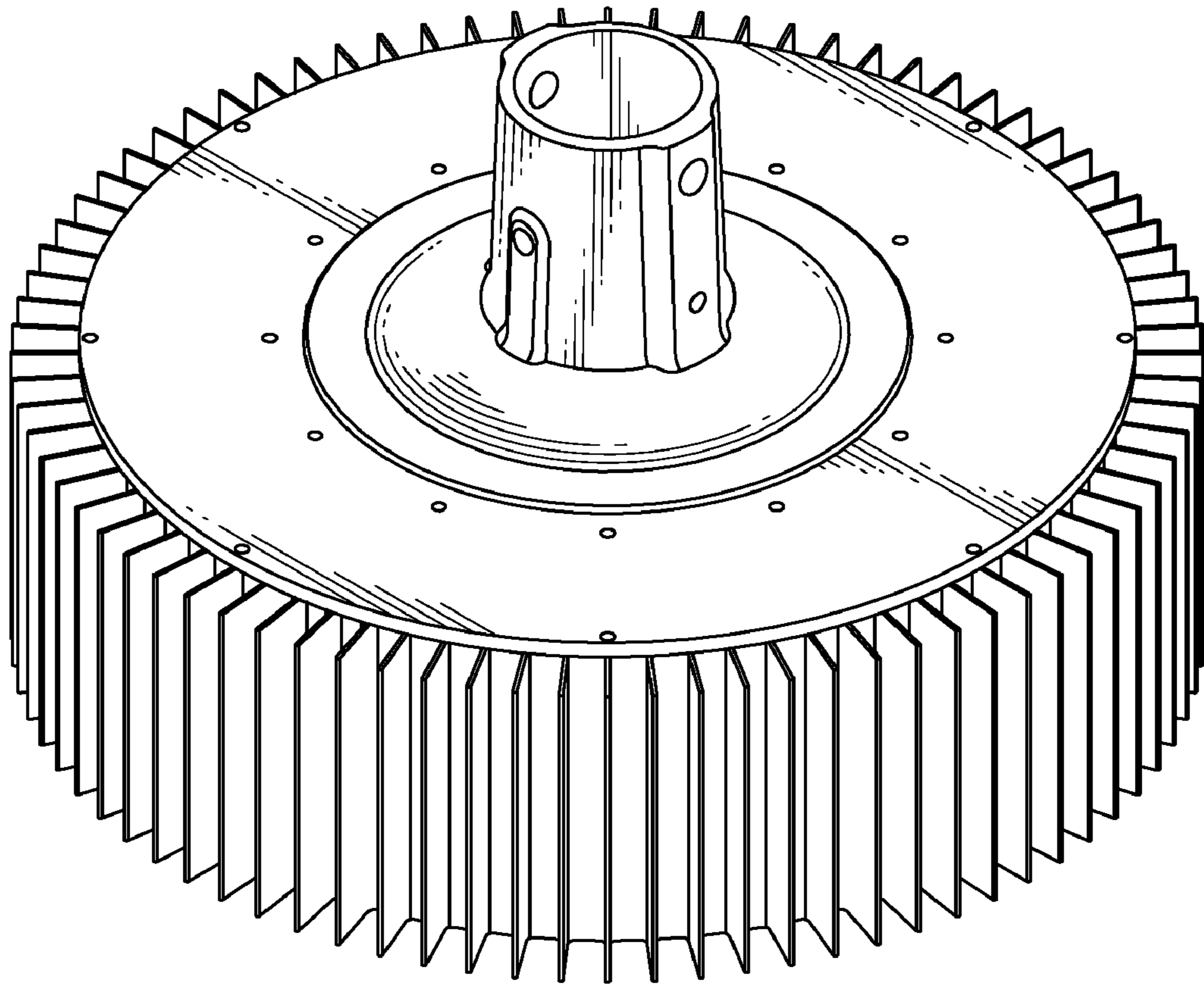


FIG. 1

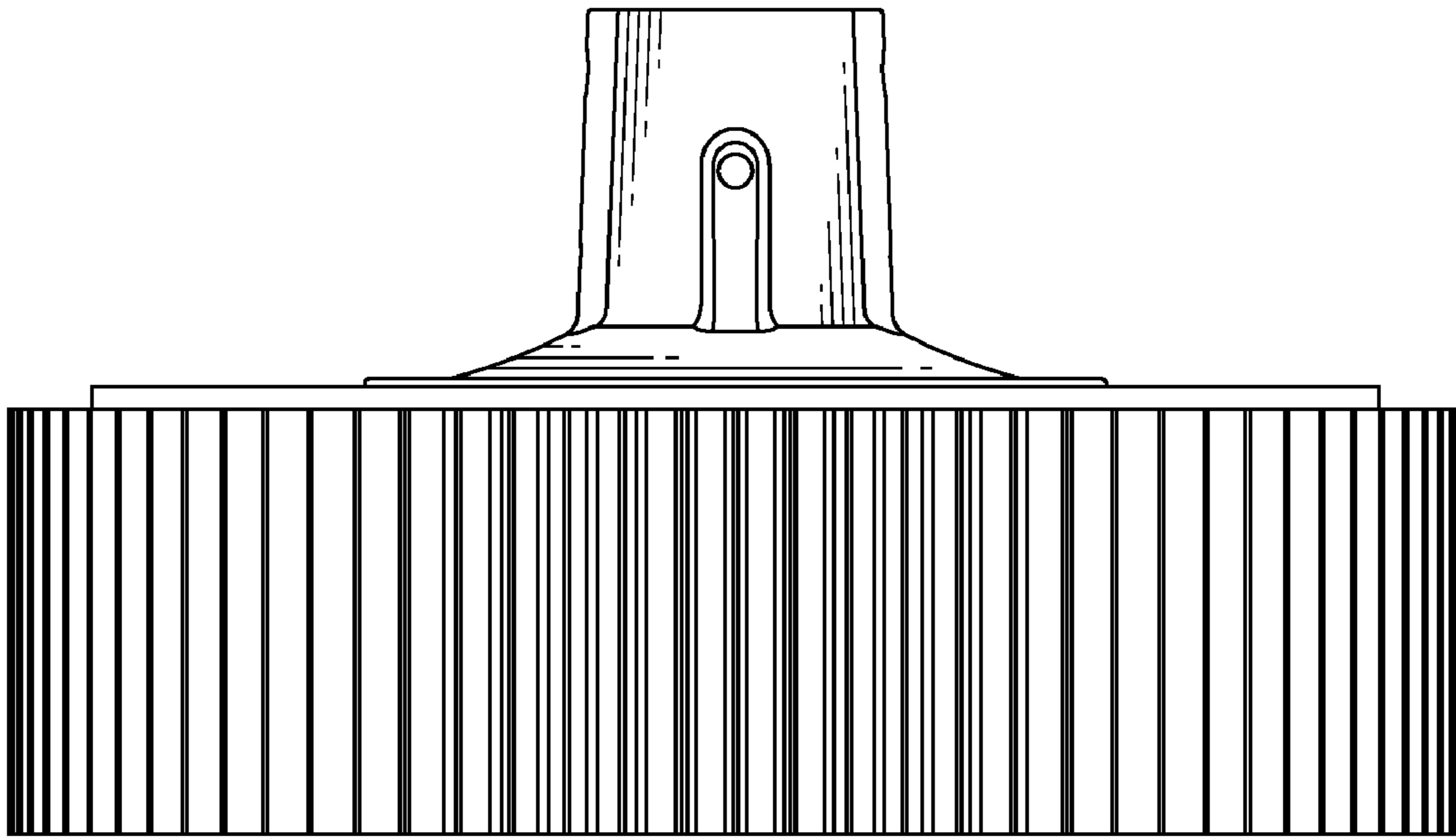


FIG. 2

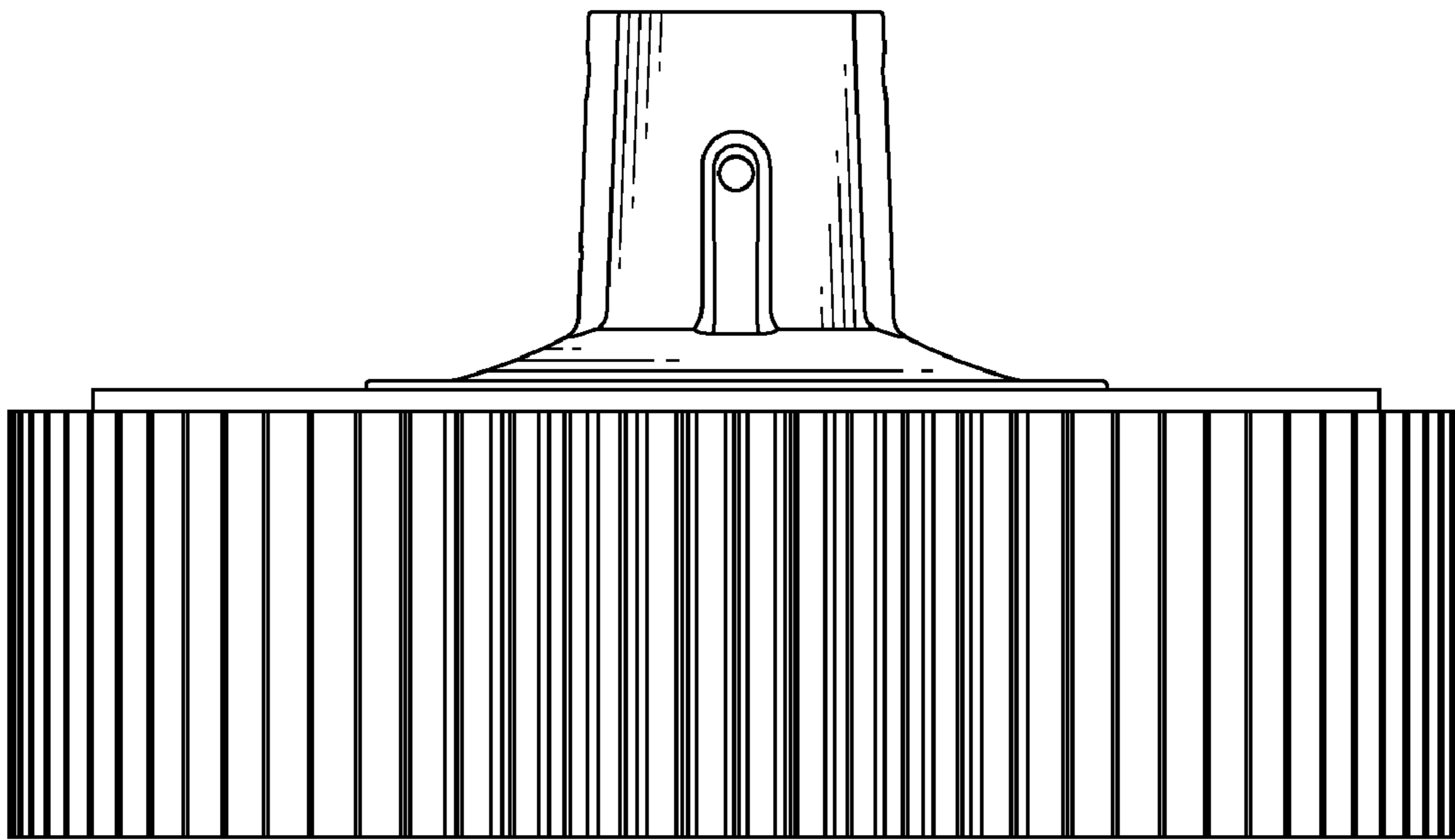


FIG. 3

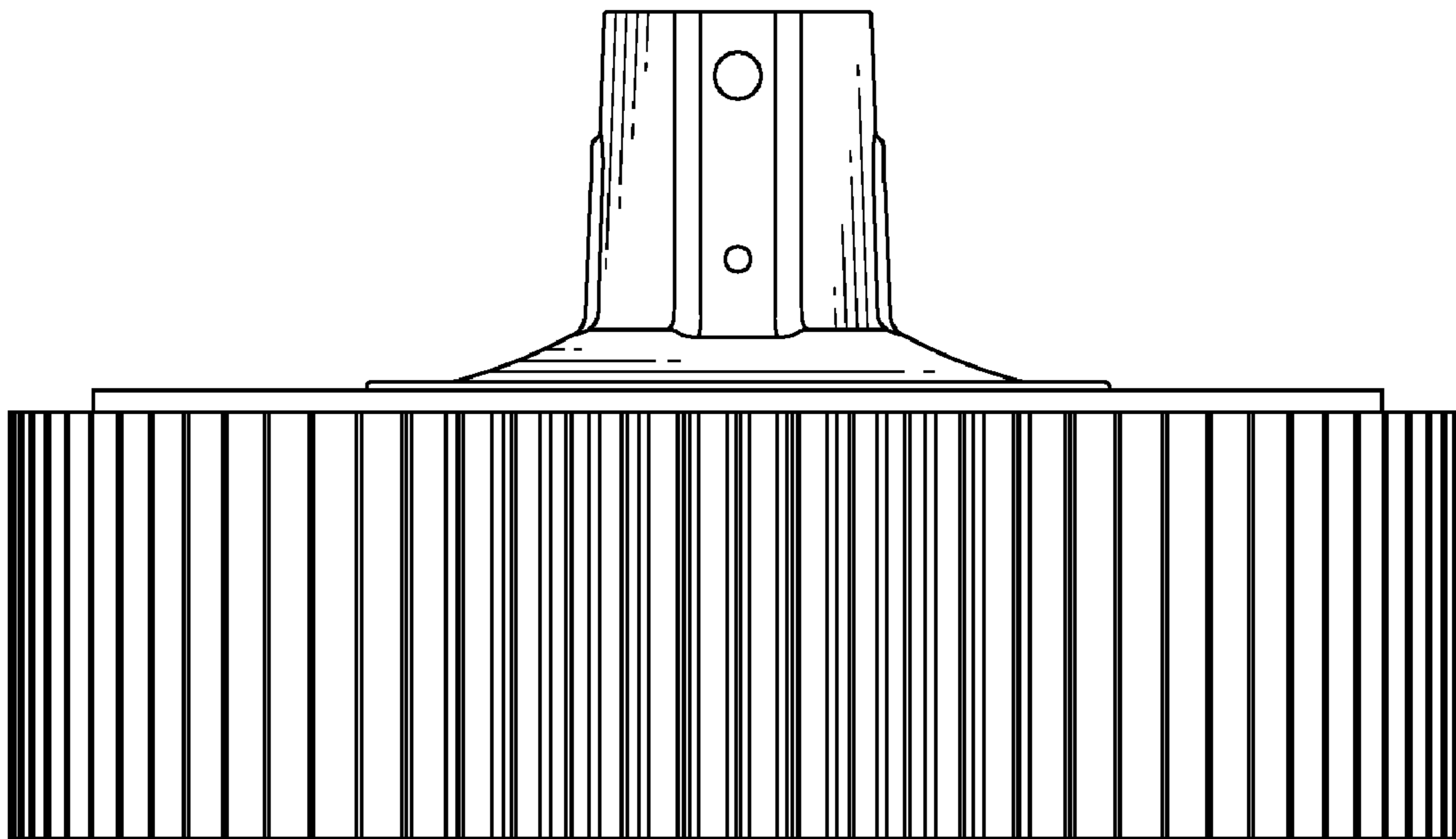


FIG. 4

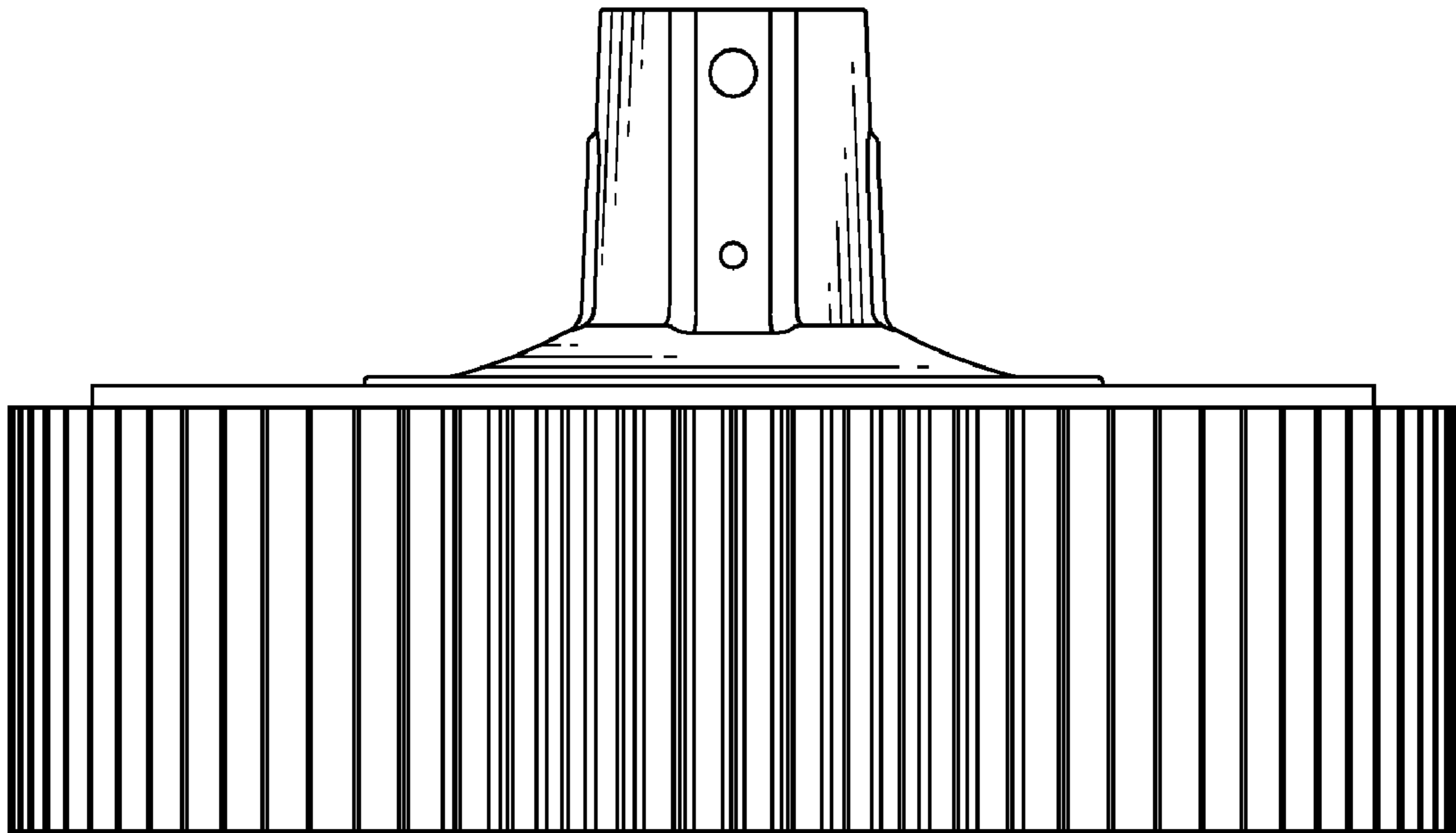


FIG. 5

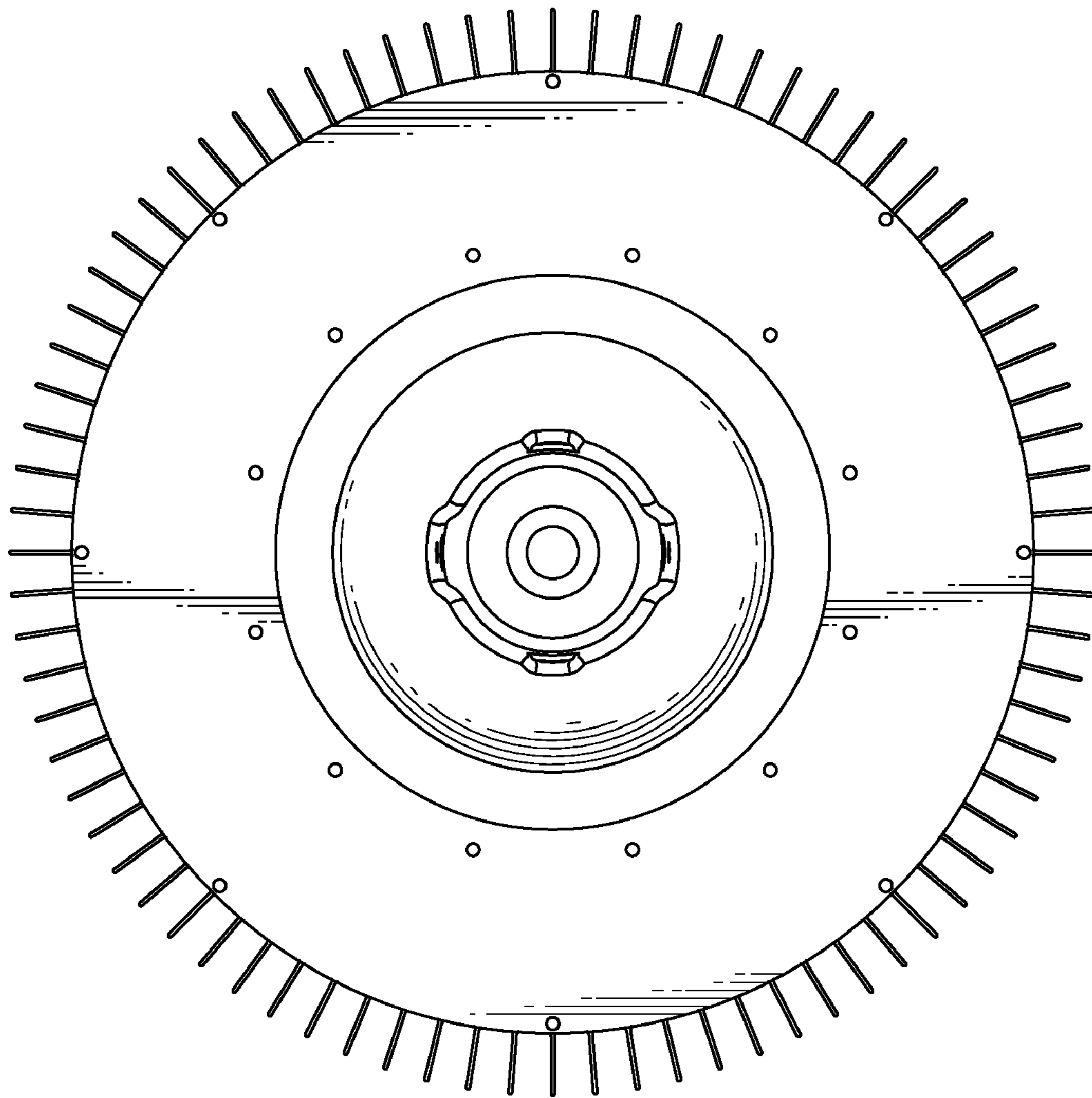


FIG. 6



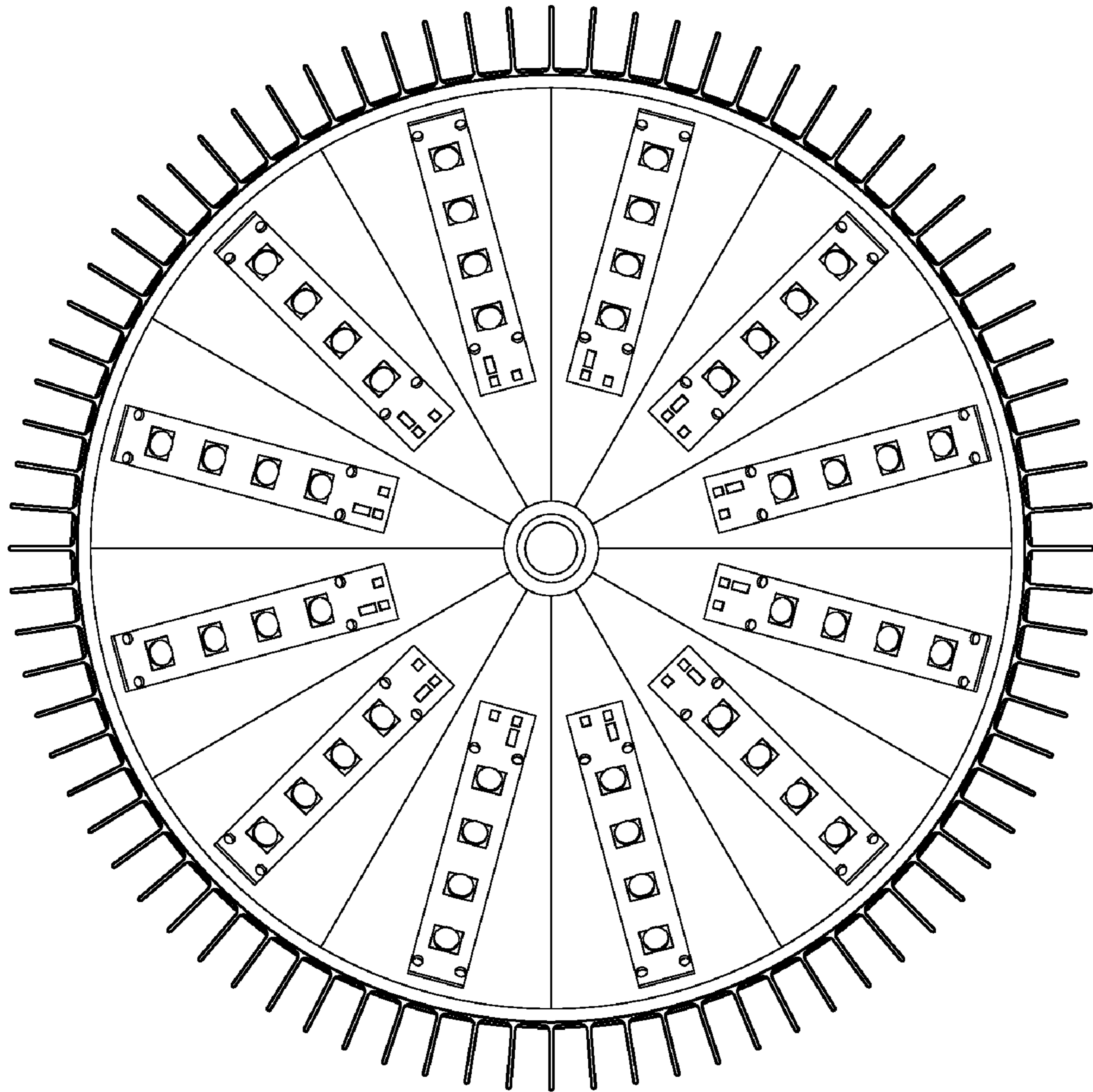


FIG. 7