



US00D573289S

(12) **United States Design Patent**
Xu et al.

(10) **Patent No.:** **US D573,289 S**
(45) **Date of Patent:** **** Jul. 15, 2008**

(54) **LED LAMP**

(75) Inventors: **Fang-Wei Xu**, Shenzhen (CN); **Guang Yu**, Shenzhen (CN); **Cheng-Tien Lai**, Taipei Hsien (TW)

(73) Assignee: **Foxconn Technology Co., Ltd.**, Tu-Cheng, Taipei Hsien (TW)

(**) Term: **14 Years**

(21) Appl. No.: **29/297,948**

(22) Filed: **Nov. 23, 2007**

(51) **LOC (8) Cl.** **26-05**

(52) **U.S. Cl.** **D26/67; D26/70**

(58) **Field of Classification Search** D26/67-71, D26/92; 362/145, 183, 431, 545, 800
See application file for complete search history.

(56) **References Cited**

U.S. PATENT DOCUMENTS

D191,128 S *	8/1961	Curtin et al.	D26/67
D196,981 S *	11/1963	Pettengill	D26/67
D200,214 S *	2/1965	Simon	D26/67
D209,394 S *	11/1967	deMan	D26/67

D210,798 S *	4/1968	Hewson	D26/67
D218,985 S *	10/1970	Anderson	D26/67
D230,071 S *	1/1974	Anderson	D26/67
D249,819 S *	10/1978	Asaki	D26/67
D406,374 S *	3/1999	Porter	D26/68

* cited by examiner

Primary Examiner—Clare E Heflin

(74) *Attorney, Agent, or Firm*—Frank R. Niranjana

(57) **CLAIM**

The ornamental design for an LED lamp, as shown.

DESCRIPTION

FIG. 1 is a perspective view of an LED lamp showing our new design;

FIG. 2 is a front elevational view thereof;

FIG. 3 is a rear elevational view thereof;

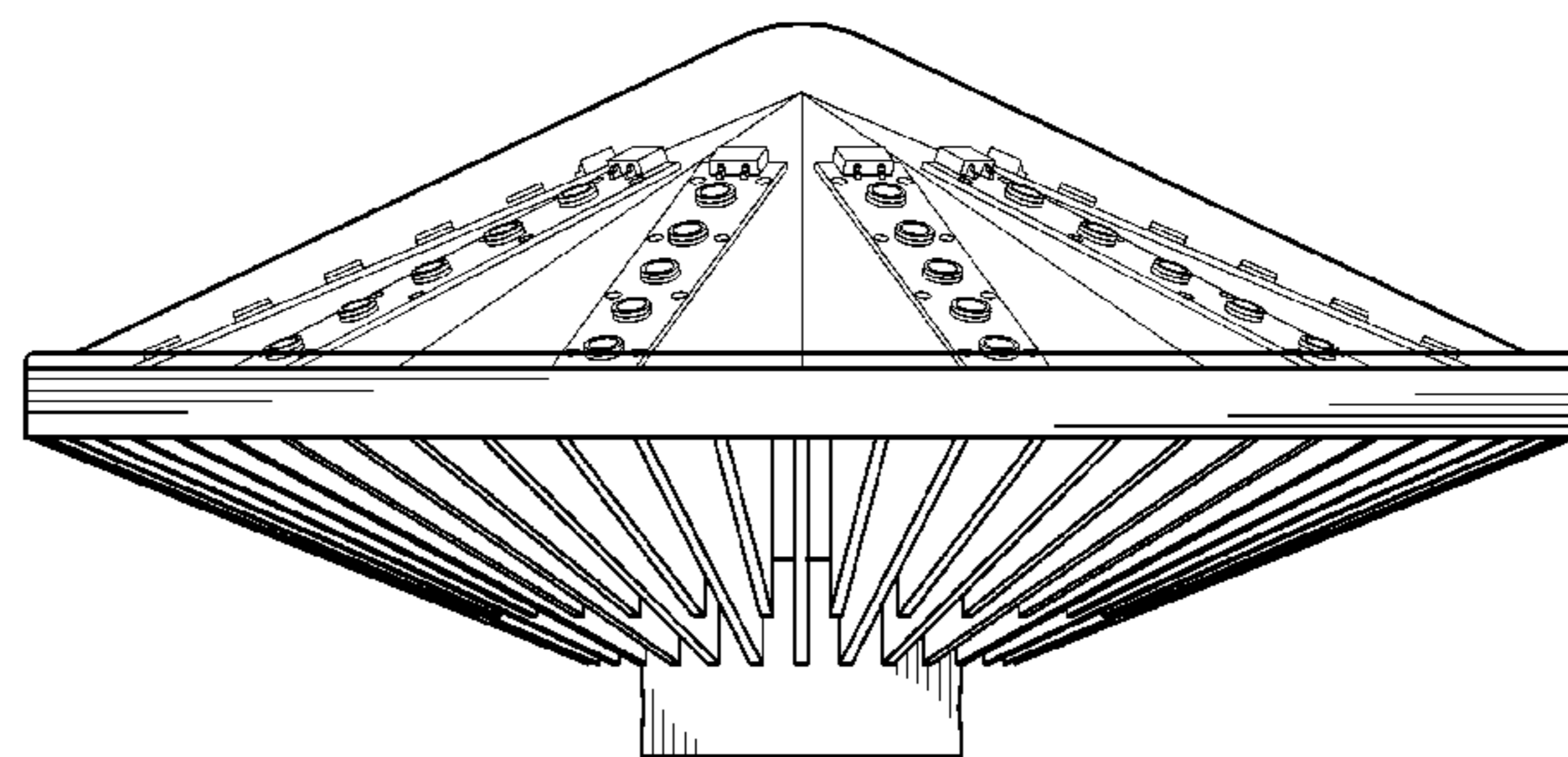
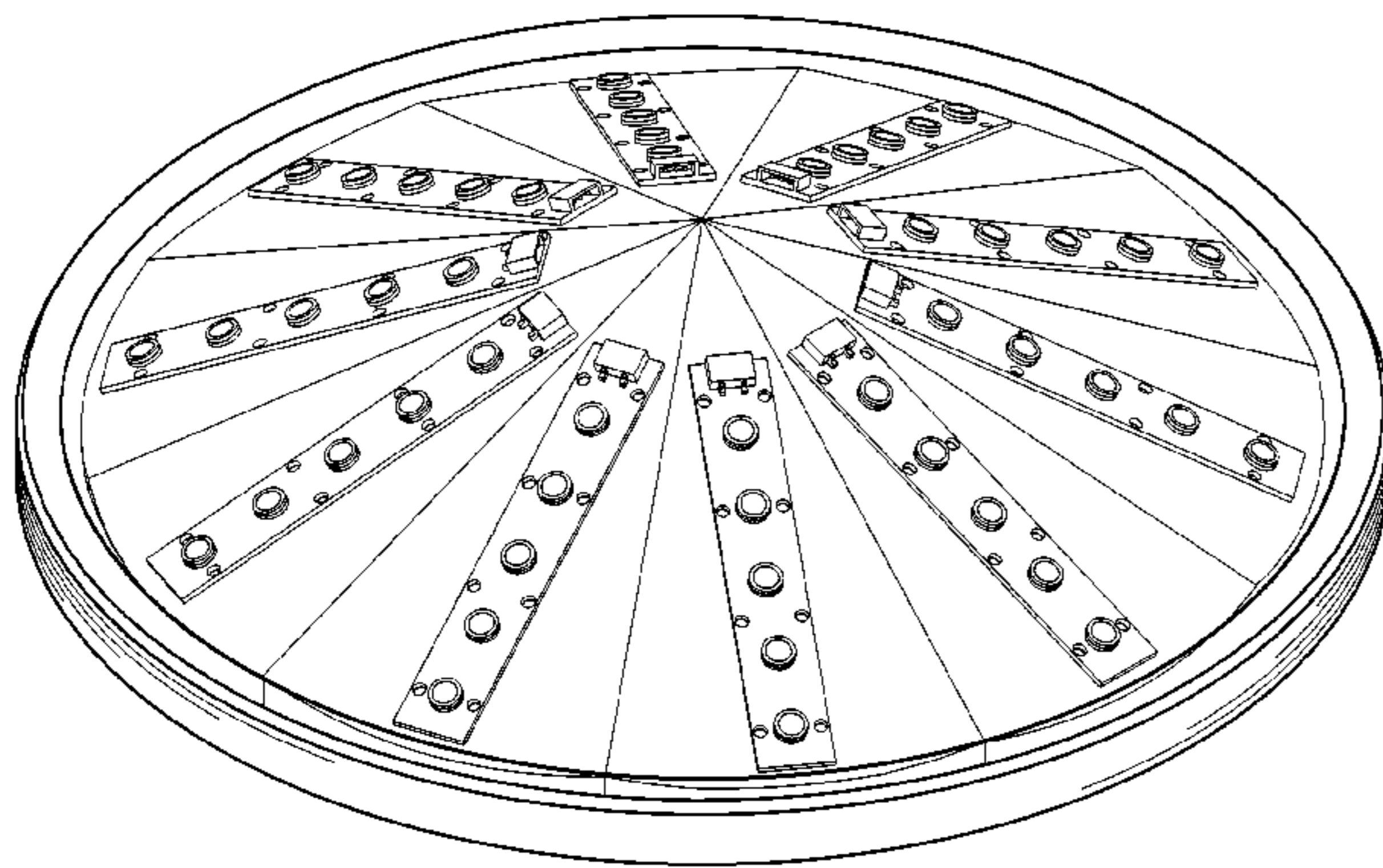
FIG. 4 is a left-side, elevational view thereof;

FIG. 5 is a right-side, elevational view thereof;

FIG. 6 is a top plan view thereof; and,

FIG. 7 is a bottom plan view thereof.

1 Claim, 7 Drawing Sheets



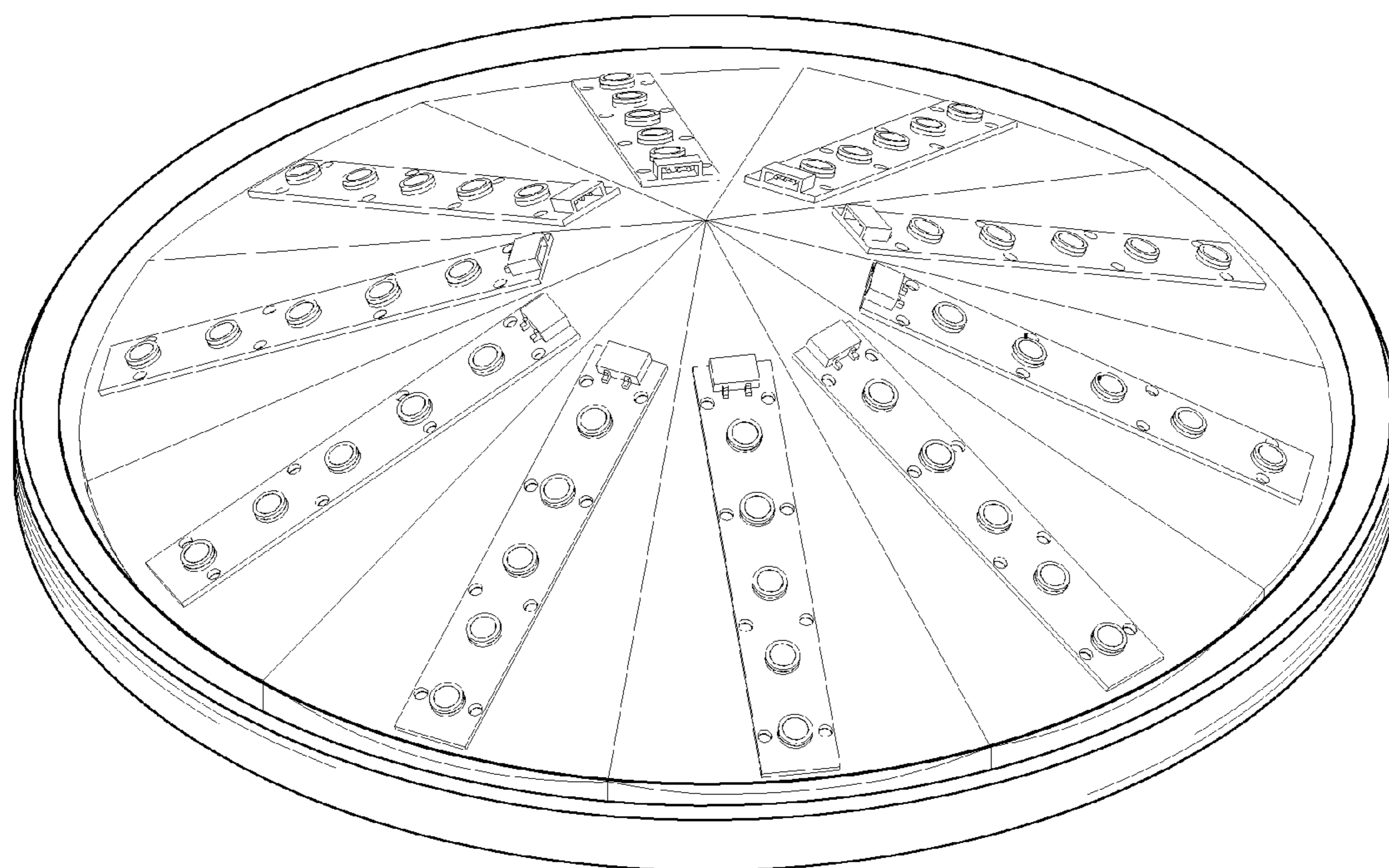


FIG. 1

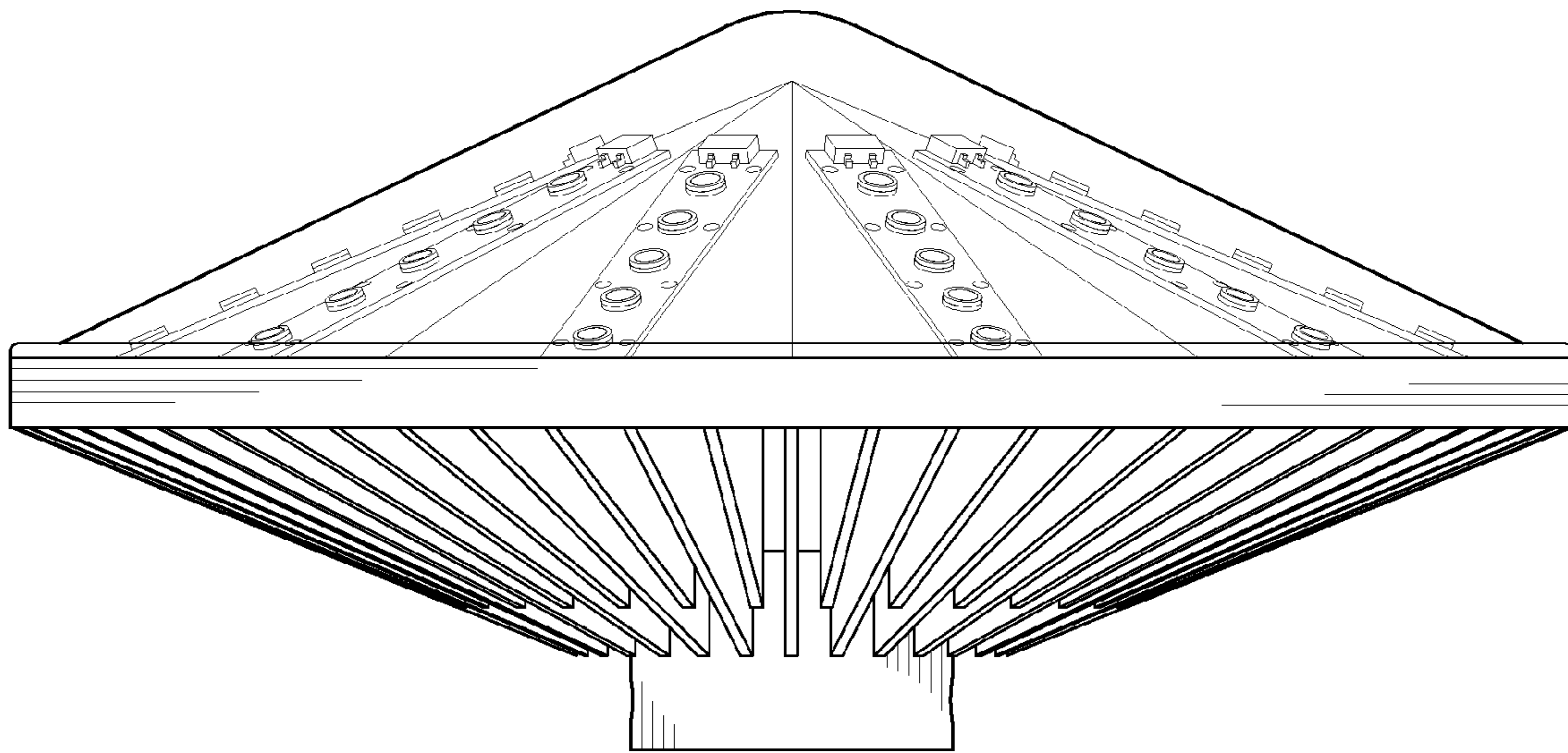


FIG. 2

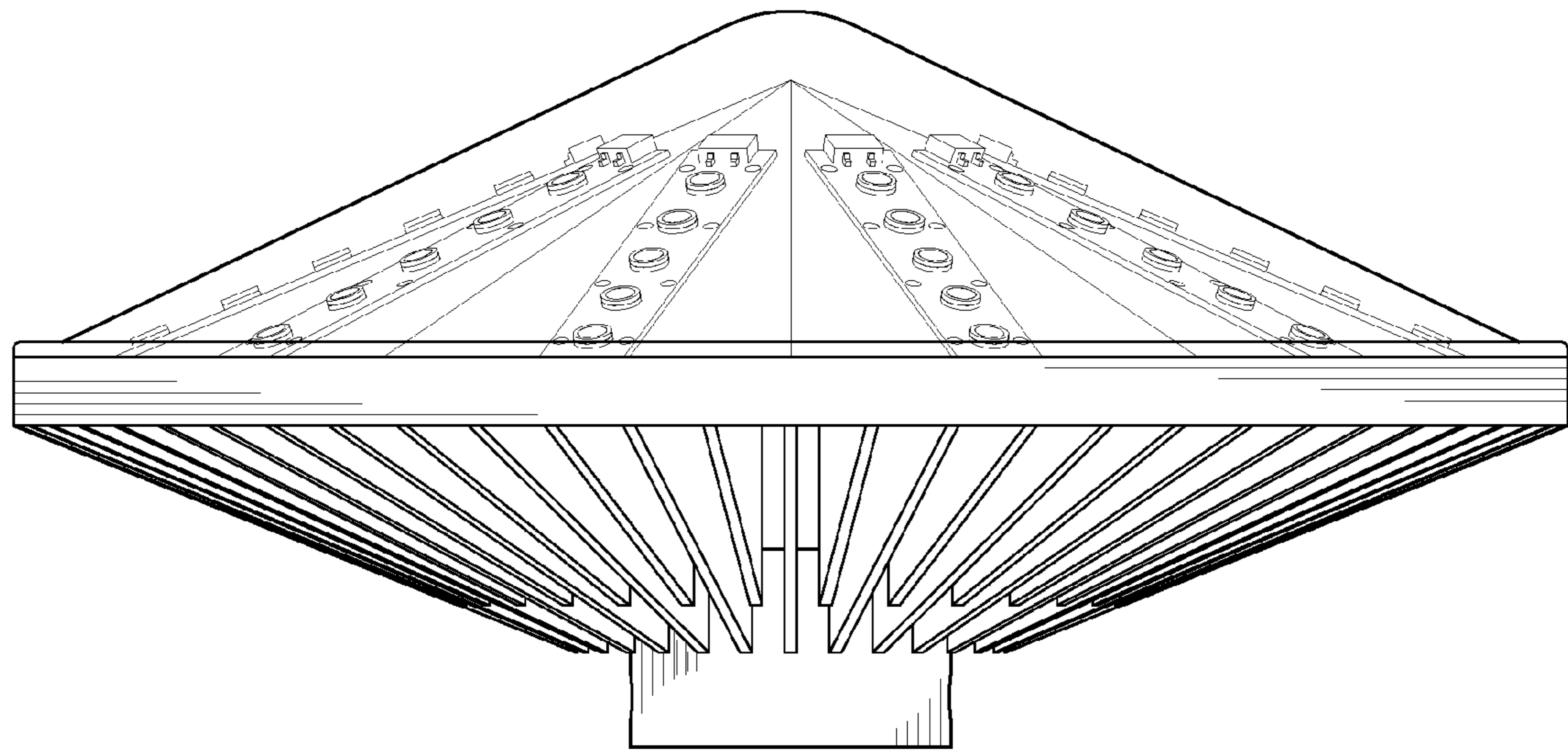


FIG. 3

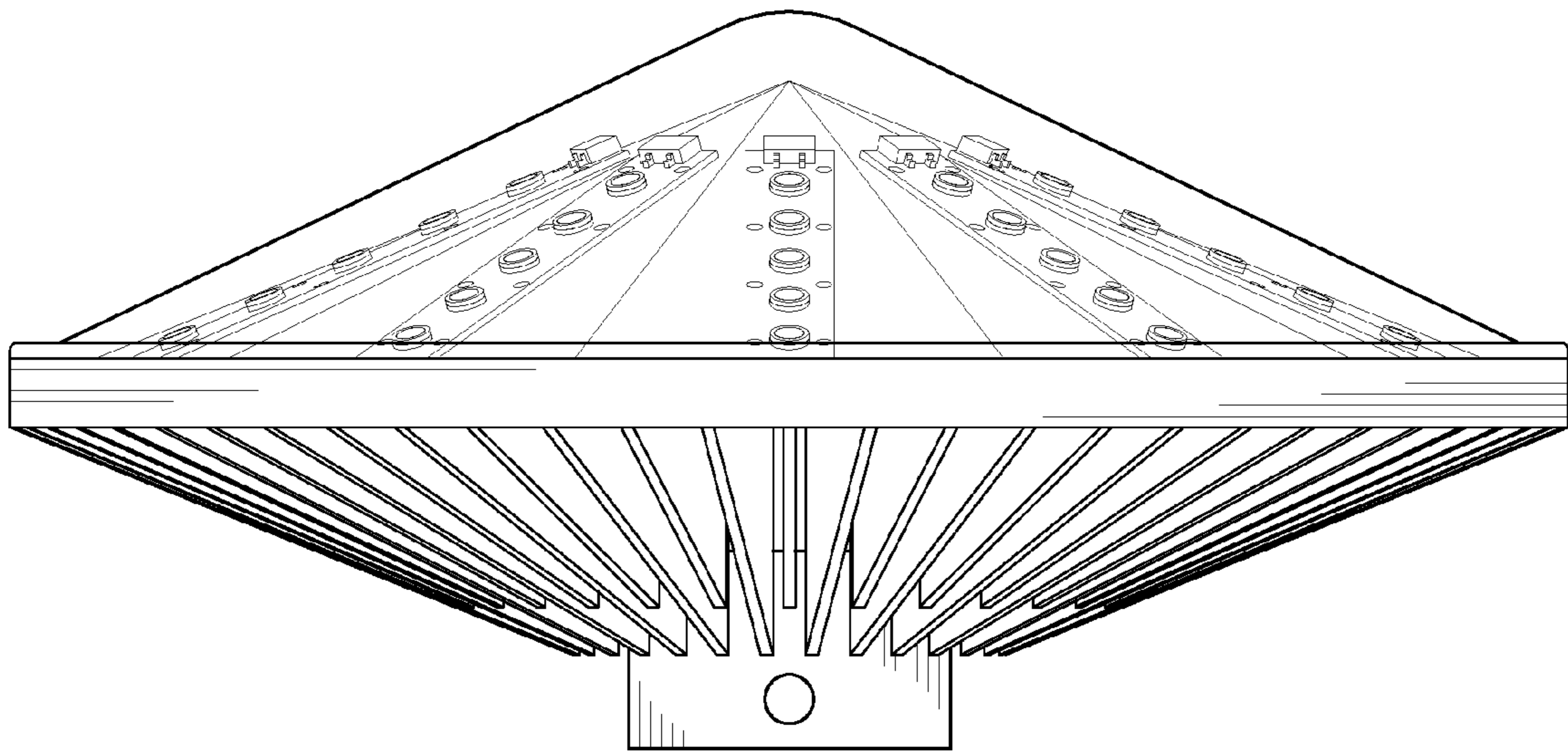


FIG. 4

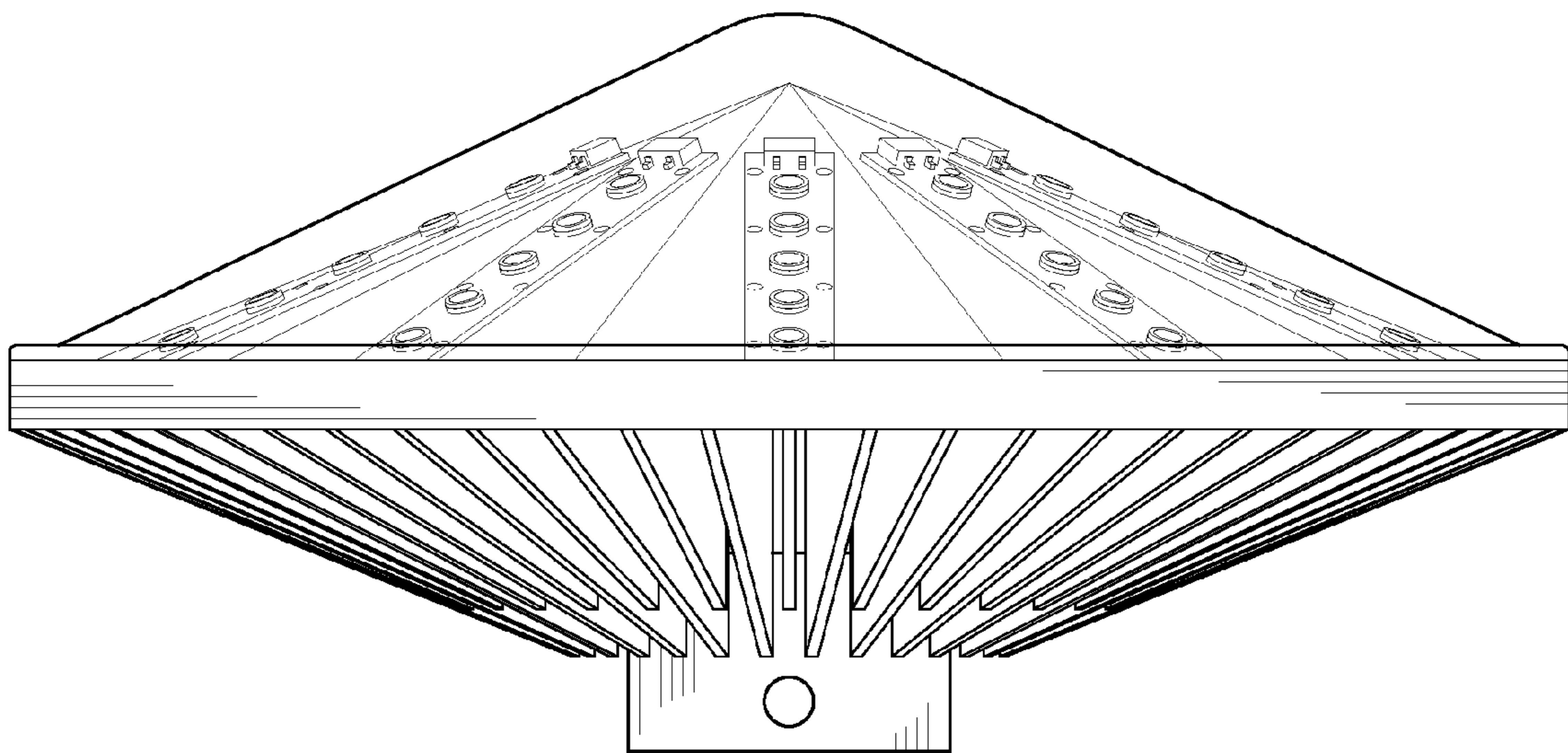


FIG. 5

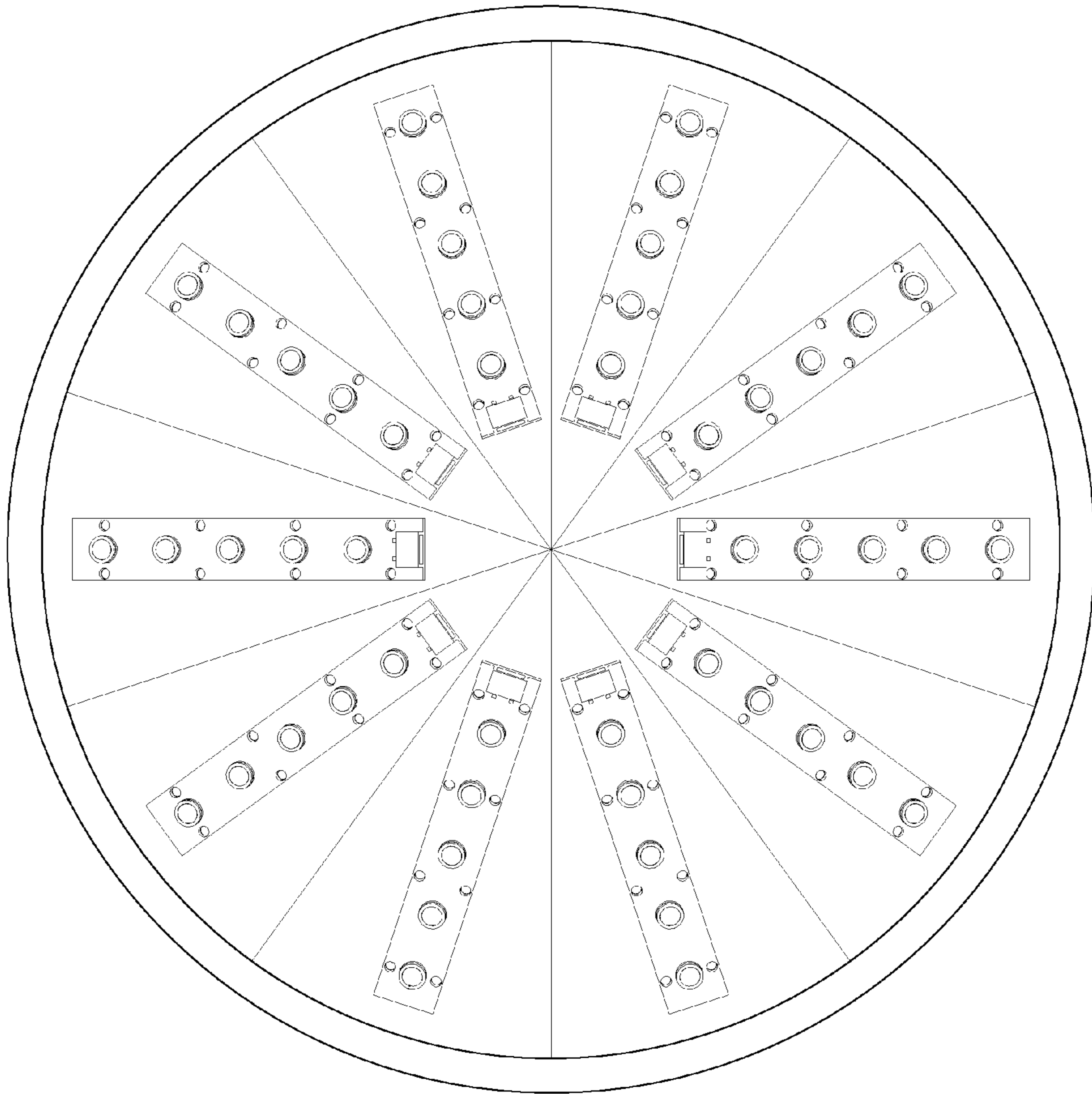


FIG. 6

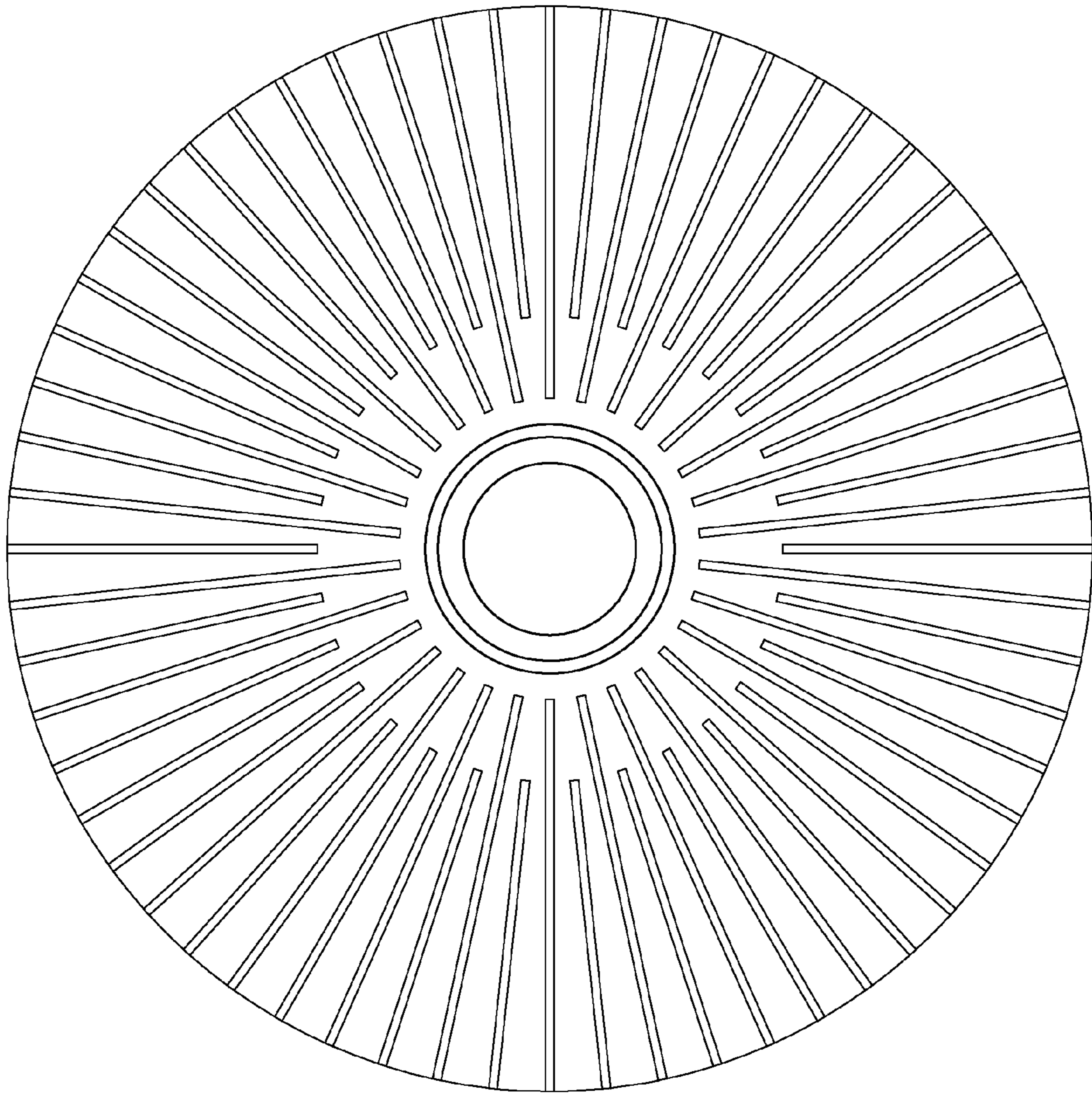


FIG. 7