



US00D573288S

(12) **United States Design Patent**
Xu et al.

(10) **Patent No.:** **US D573,288 S**

(45) **Date of Patent:** **** Jul. 15, 2008**

(54) **LED LAMP**

(75) Inventors: **Fang-Wei Xu**, Shenzhen (CN); **Guang Yu**, Shenzhen (CN); **Cheng-Tien Lai**, Taipei Hsien (TW)

(73) Assignee: **Foxconn Technology Co., Ltd.**, Tu-Cheng, Taipei Hsien (TW)

(**) Term: **14 Years**

(21) Appl. No.: **29/296,902**

(22) Filed: **Oct. 31, 2007**

(51) **LOC (8) Cl.** **26-05**

(52) **U.S. Cl.** **D26/67; D26/71**

(58) **Field of Classification Search** D26/67-71, D26/92; 362/145, 183, 431, 545, 800
See application file for complete search history.

(56) **References Cited**

U.S. PATENT DOCUMENTS

D189,209 S *	11/1960	Harling	D26/67
D203,293 S *	12/1965	Pettengill	D26/67
D218,067 S *	7/1970	Devine	D26/67
5,528,474 A *	6/1996	Roney et al.	362/545
D554,284 S *	10/2007	Richmond	D26/67

D558,908 S * 1/2008 Waedeled D26/67
2004/0240226 A1 * 12/2004 Gross et al. 362/544

* cited by examiner

Primary Examiner—Clare E Heflin

(74) *Attorney, Agent, or Firm*—Frank R. Niranjana

(57) **CLAIM**

The ornamental design for an LED lamp, as shown and described.

DESCRIPTION

FIG. 1 is a perspective view of an LED lamp showing our new design;

FIG. 2 is a front elevational view thereof;

FIG. 3 is a rear elevational view thereof;

FIG. 4 is a left-side, elevational view thereof;

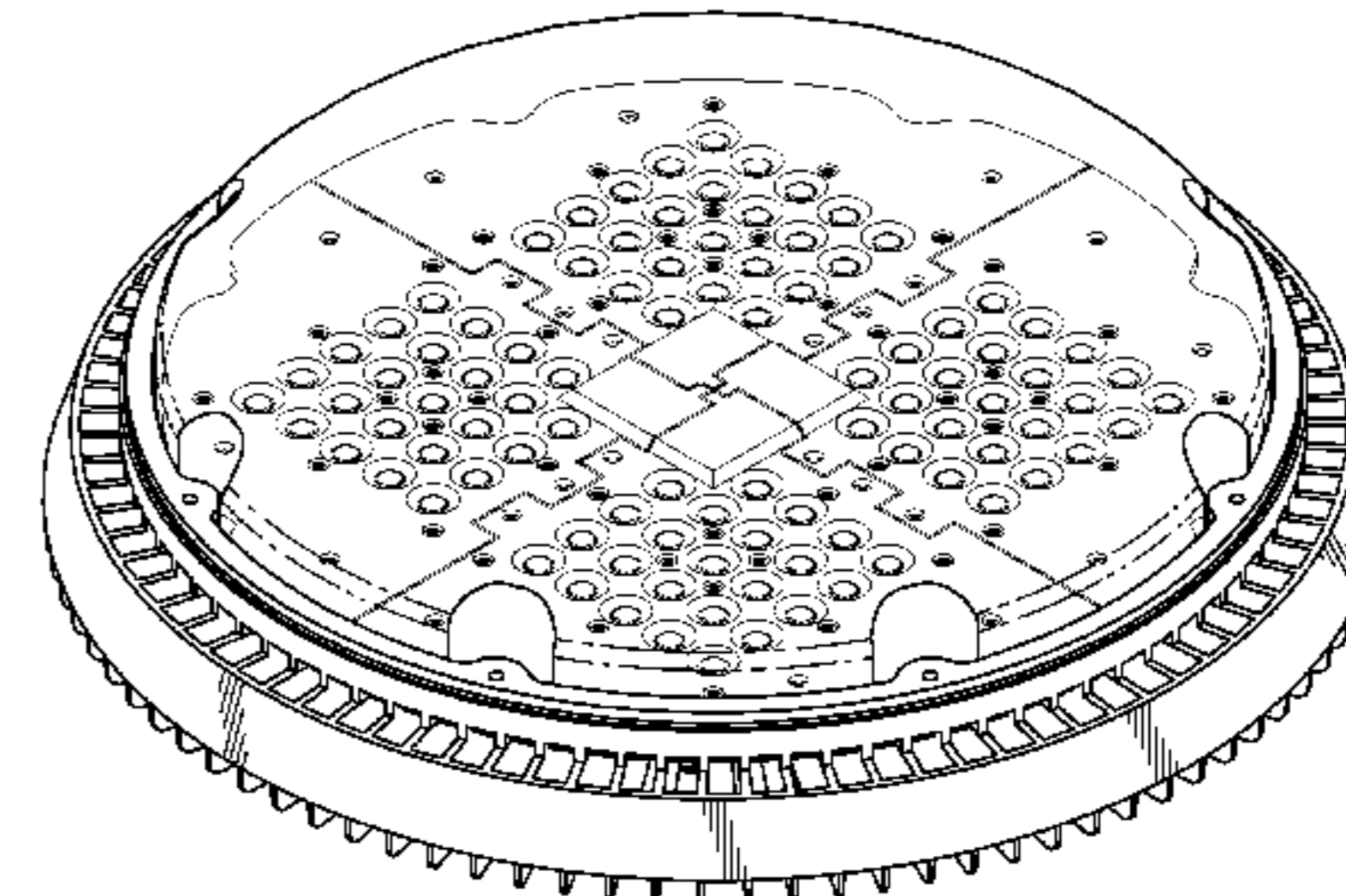
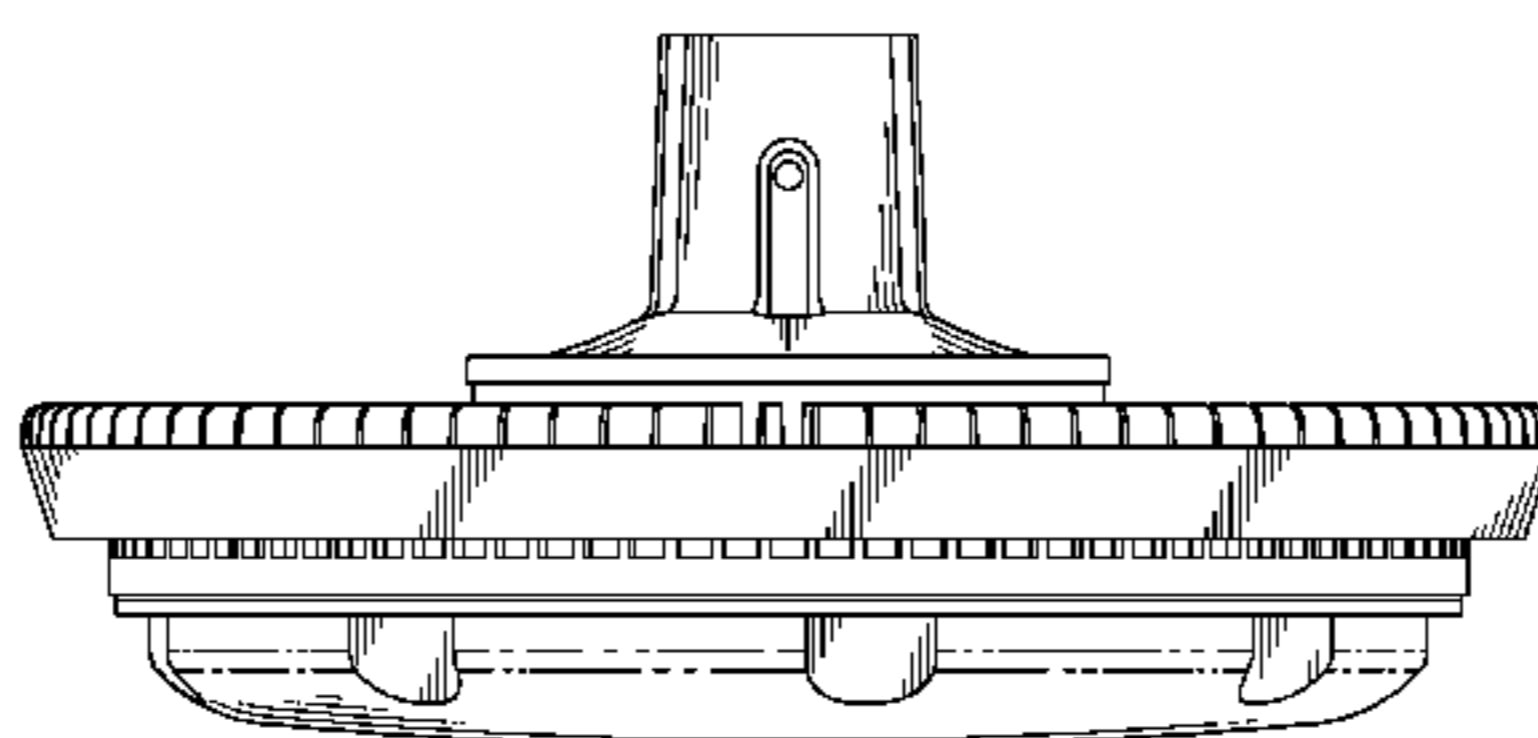
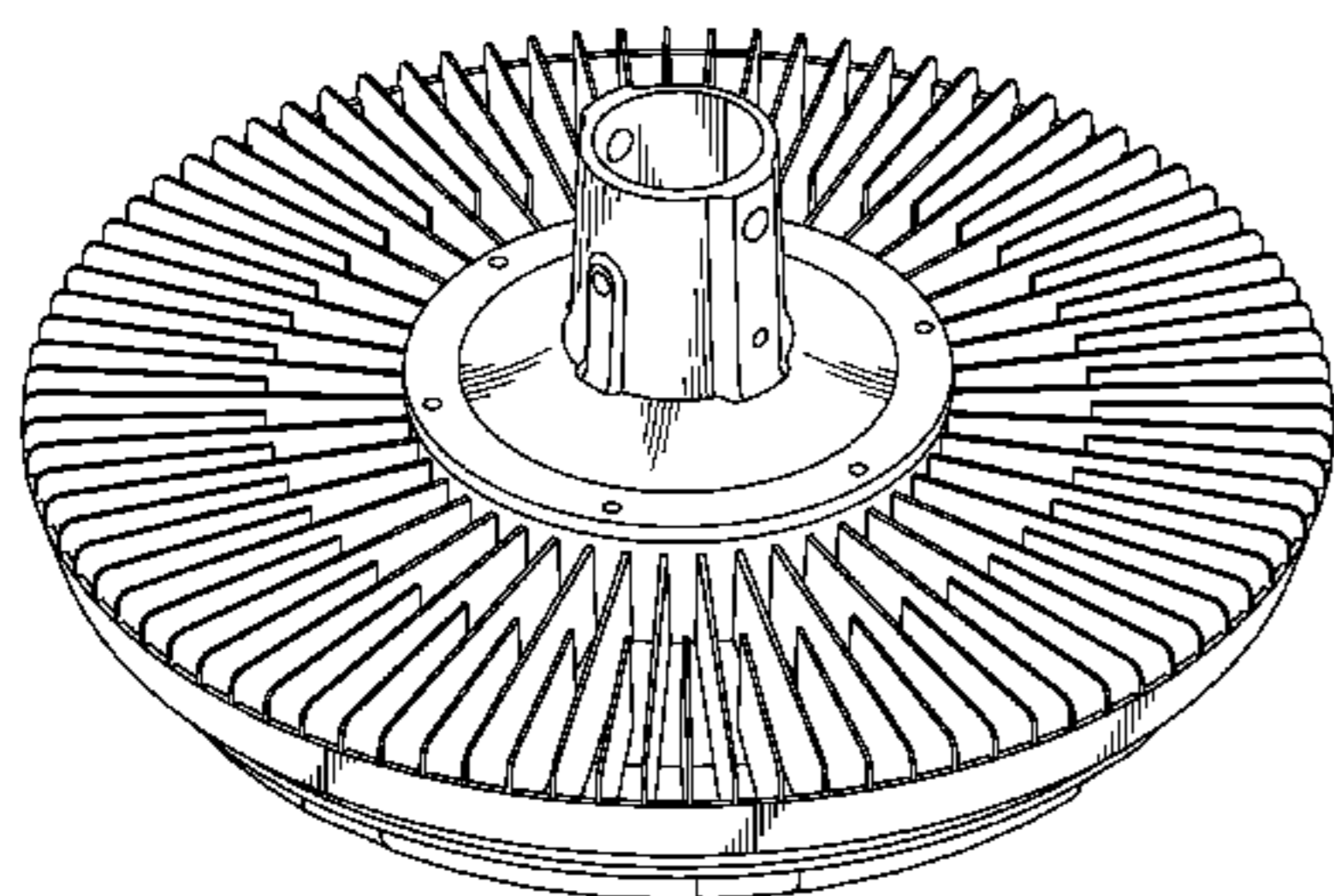
FIG. 5 is a right-side, elevational view thereof;

FIG. 6 is a top plan view thereof;

FIG. 7 is a bottom plan view thereof; and,

FIG. 8 is a view similar to FIG. 1, but viewed from a different aspect.

1 Claim, 8 Drawing Sheets



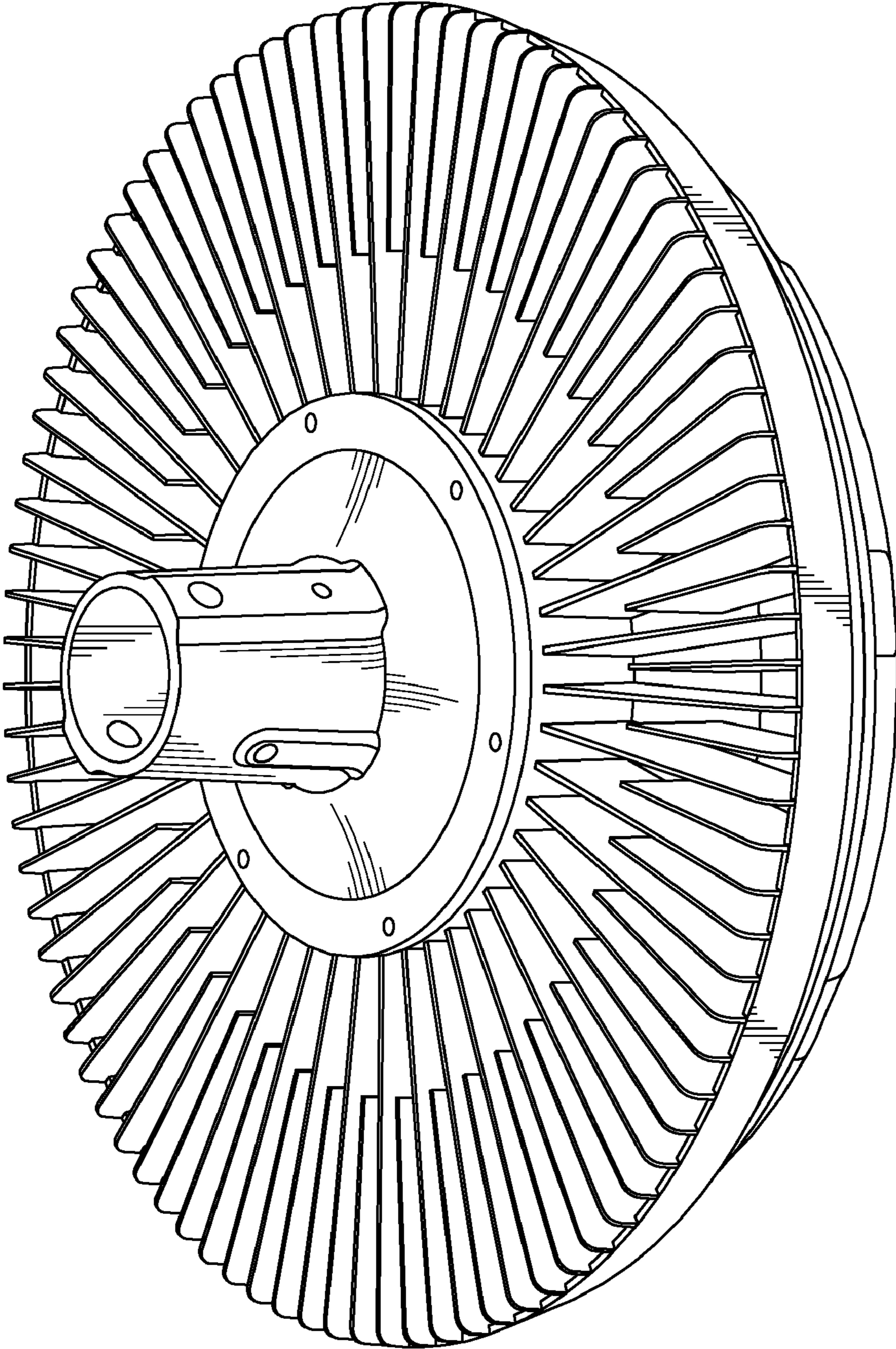


FIG. 1

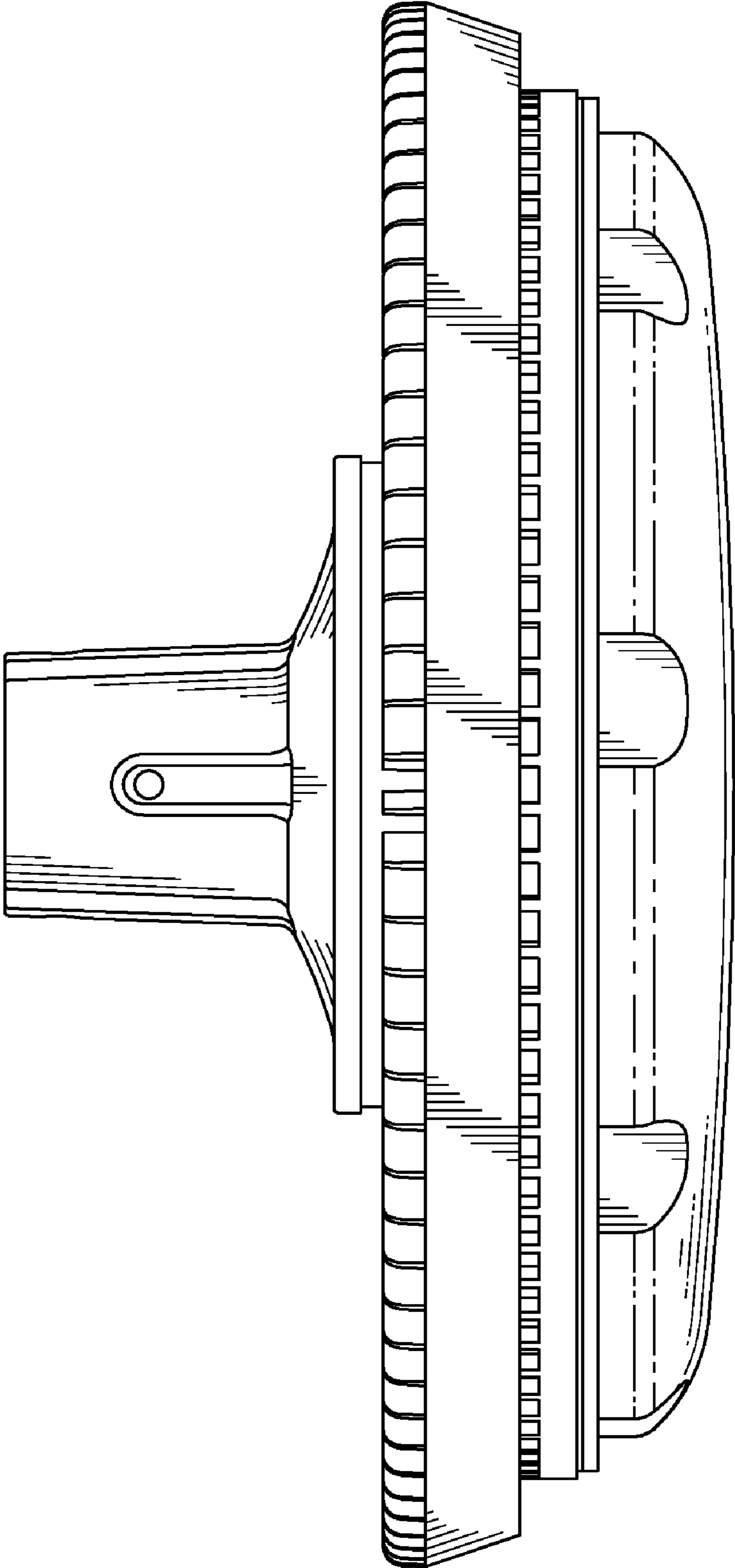


FIG. 2

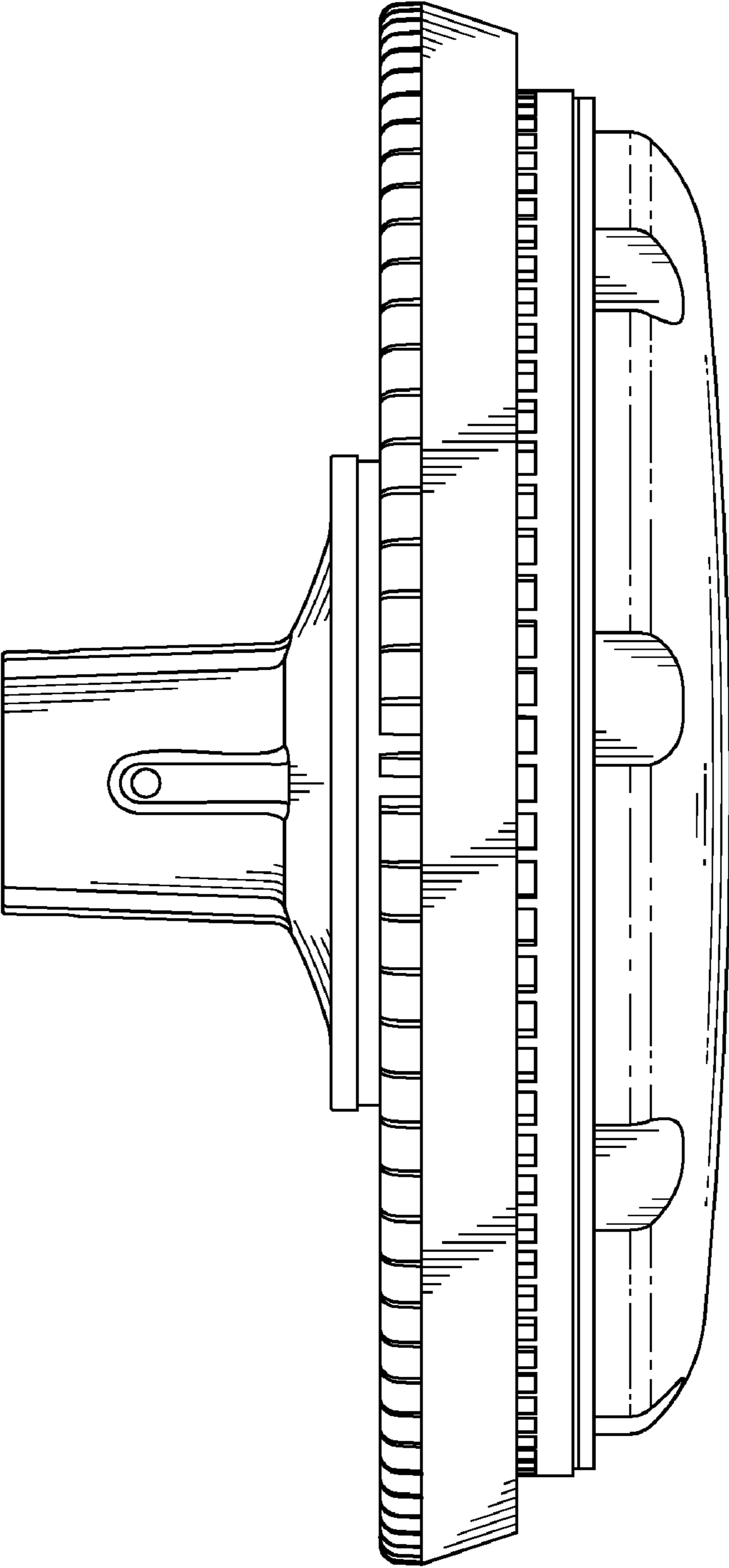


FIG. 3

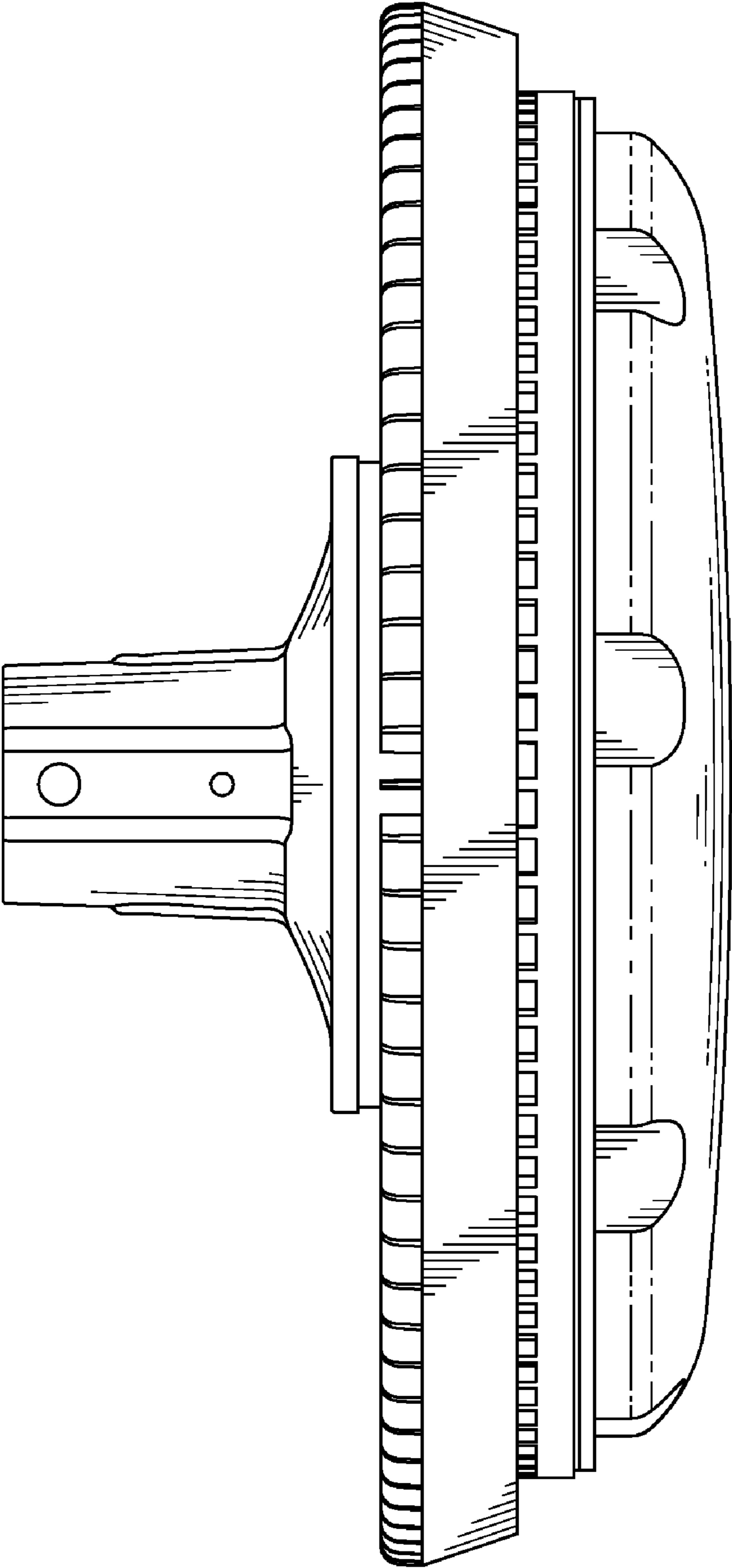


FIG. 4

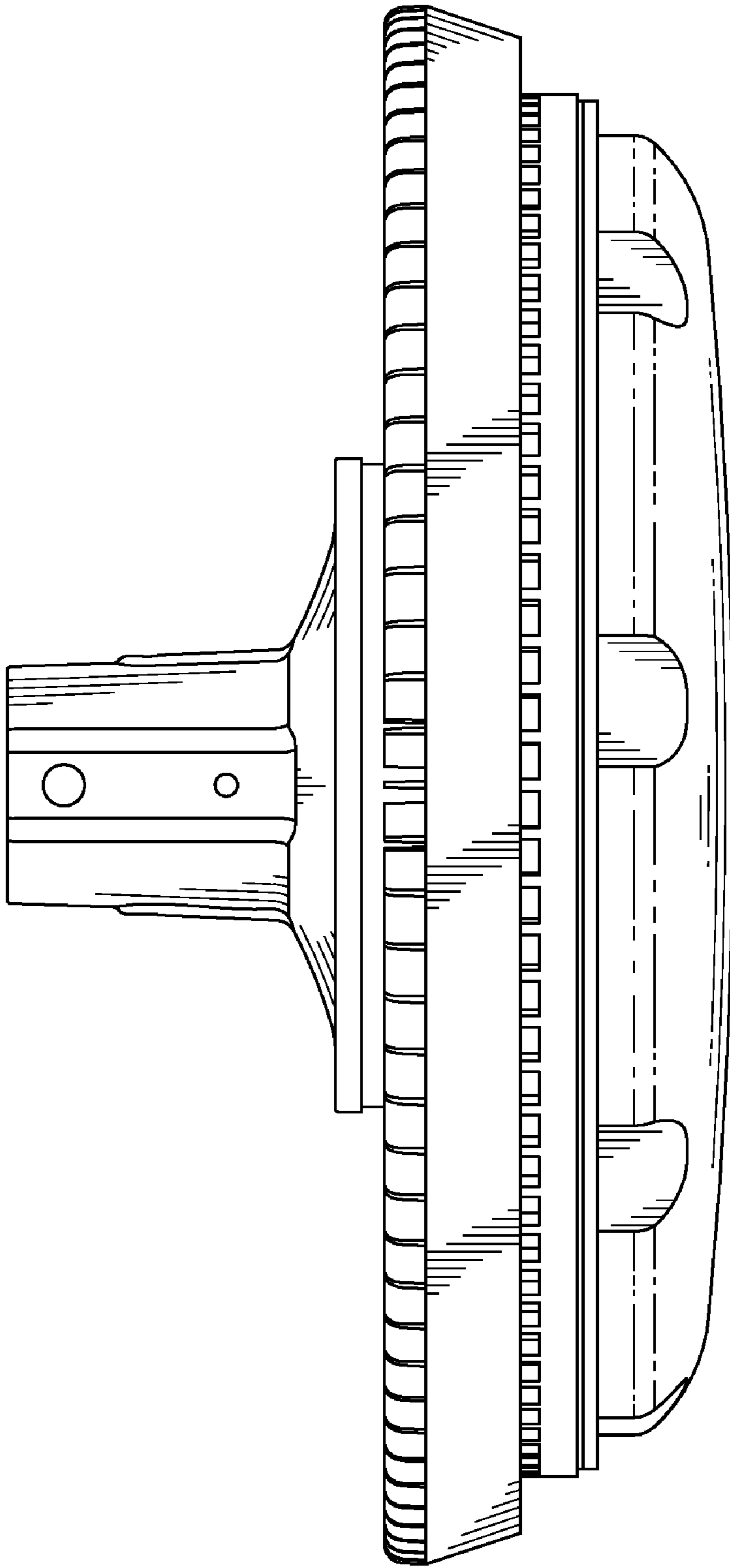


FIG. 5

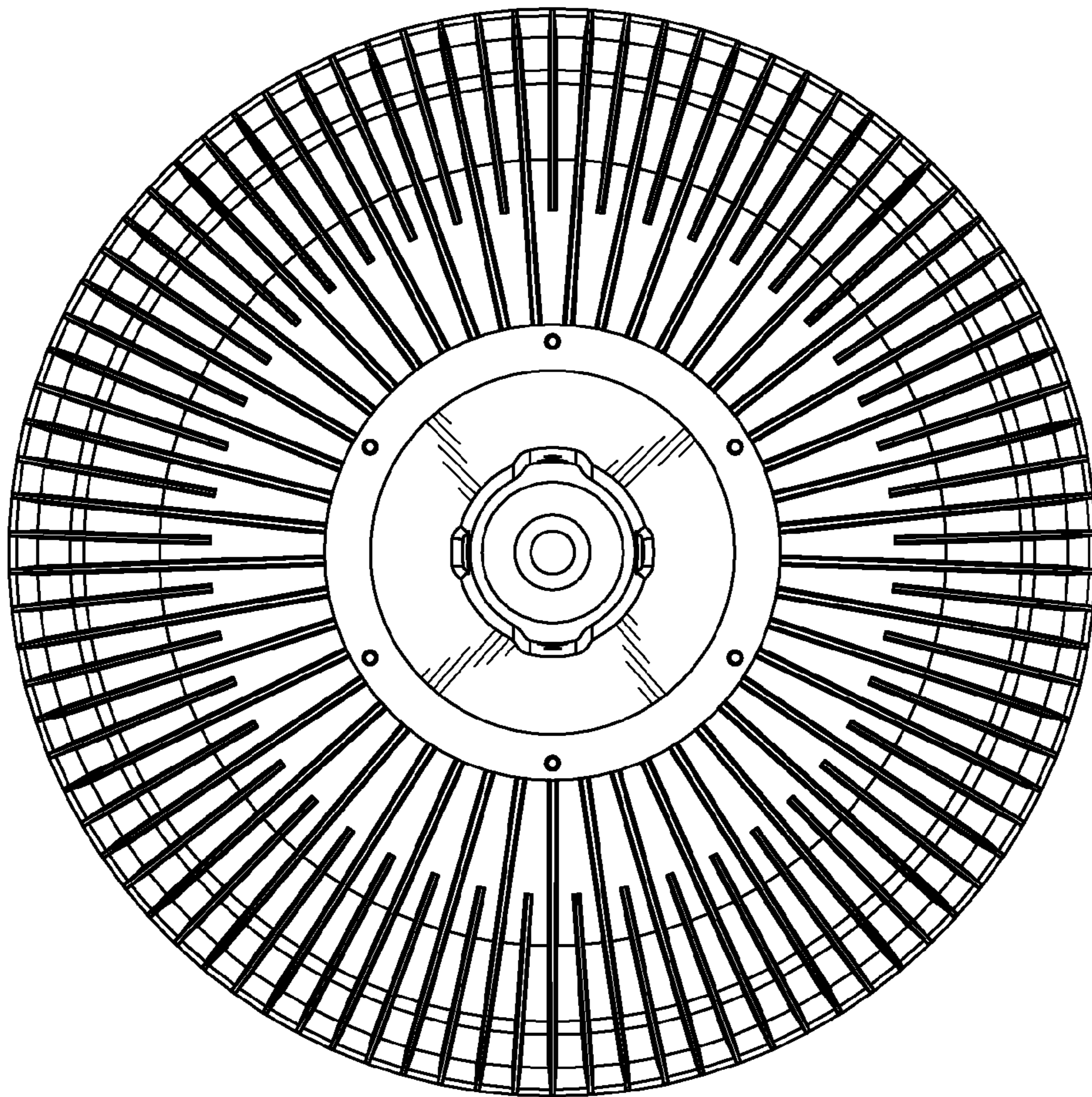


FIG. 6

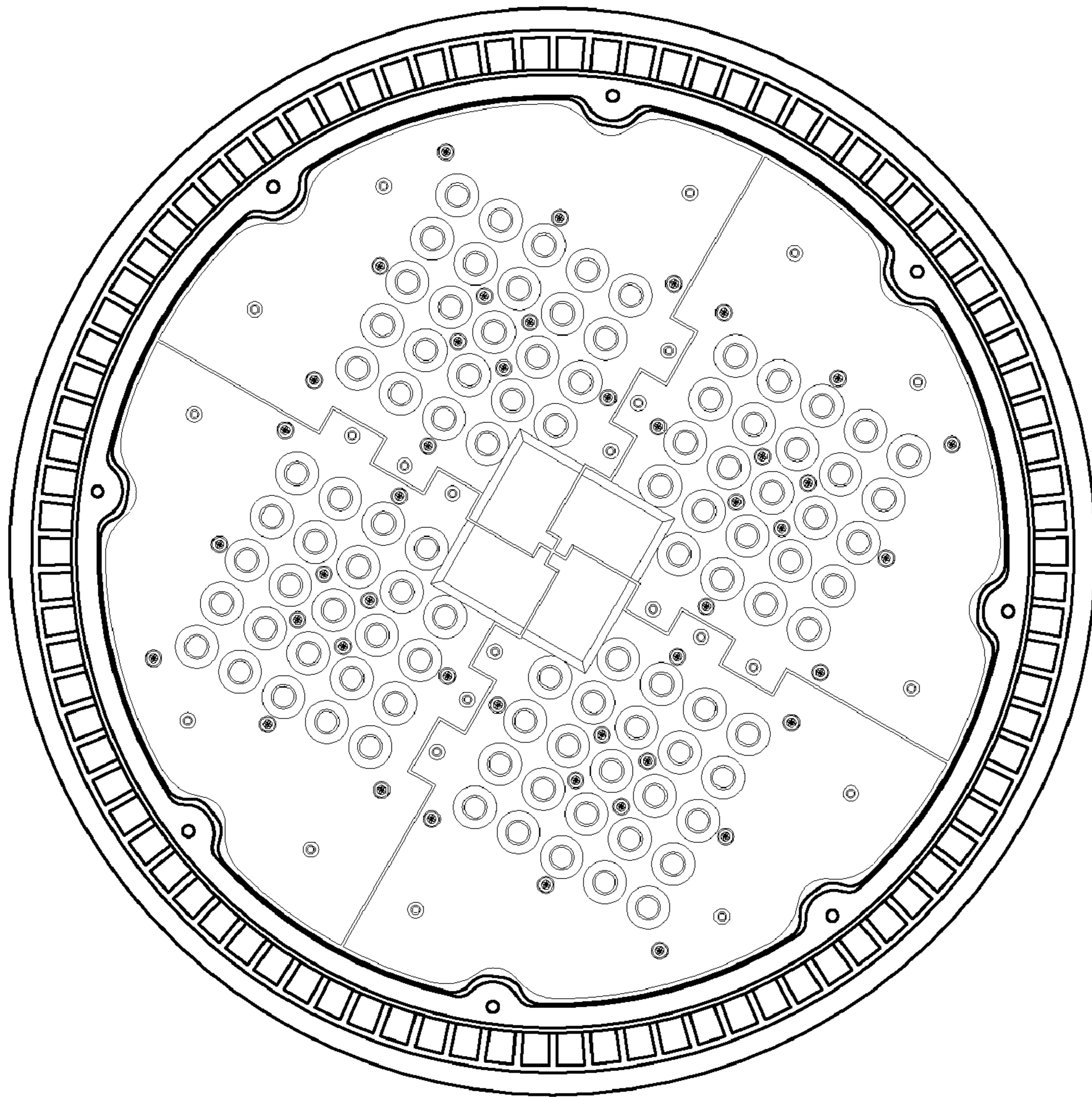


FIG. 7

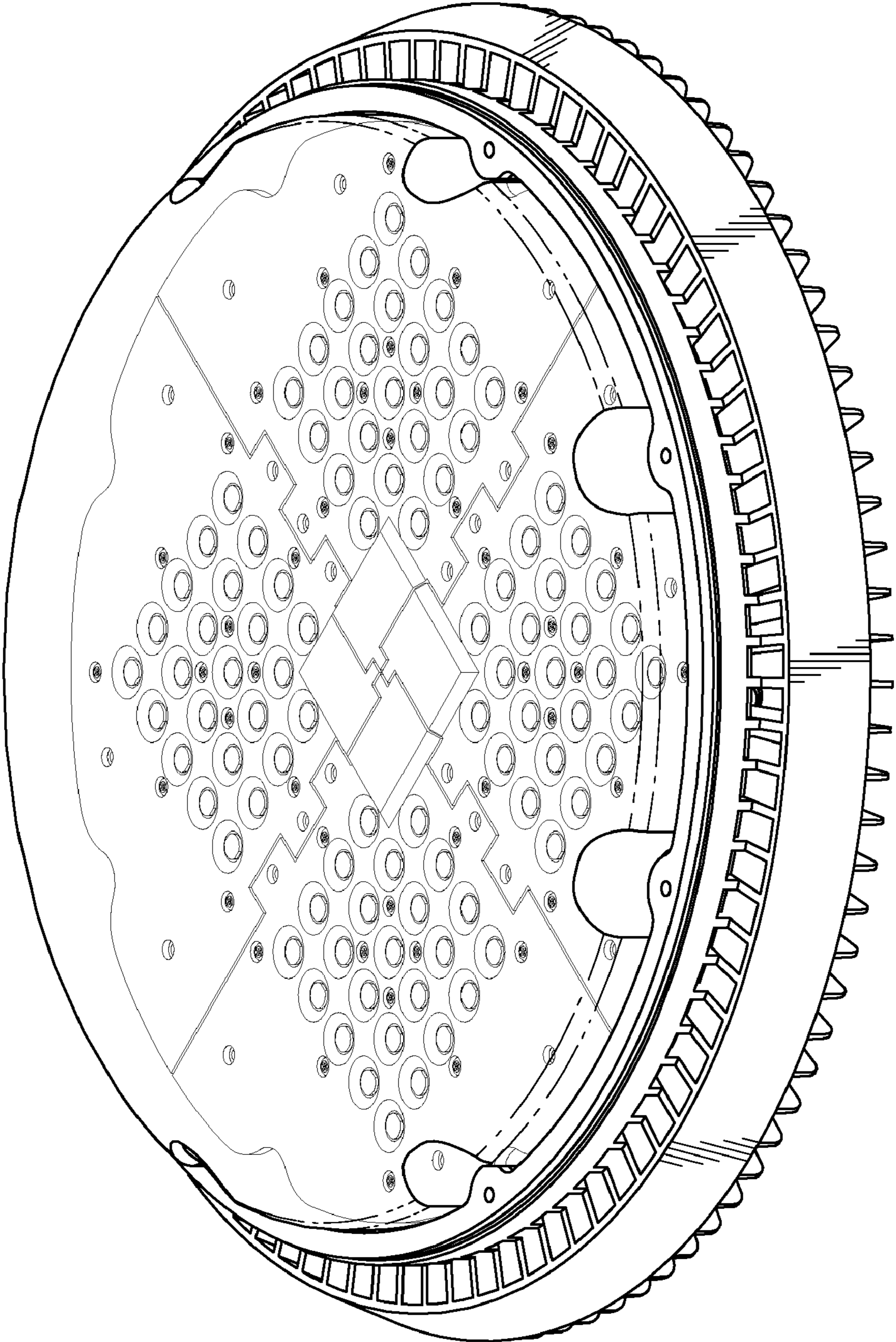


FIG. 8