



US00D573287S

(12) **United States Design Patent**
Chung et al.

(10) **Patent No.:** **US D573,287 S**
(45) **Date of Patent:** **** Jul. 15, 2008**

(54) **SOLAR-POWERED LIGHT**

D561,367 S * 2/2008 Witte D26/44

(75) Inventors: **Wai Wah Chung**, Hong Kong (CN);
Kevin Kelley, Frisco, TX (US)

OTHER PUBLICATIONS
Home Security Motion Activated Lighting System Model
SL-7—Owner’s Manual (2006).

(73) Assignee: **The Brinkmann Corporation**, Dallas,
TX (US)

* cited by examiner

(**) Term: **14 Years**

Primary Examiner—T. Chase Nelson
Assistant Examiner—Barbara Fox

(21) Appl. No.: **29/291,217**

(74) *Attorney, Agent, or Firm*—Sheppard, Mullin, Richter &
Hampton LLP

(22) Filed: **Aug. 17, 2007**

(57) **CLAIM**

(51) **LOC (8) Cl.** **26-05**

We claim the ornamental design for a solar-powered light, as
shown and described.

(52) **U.S. Cl.** **D26/63**

(58) **Field of Classification Search** D26/24,
D26/60–67, 85, 51; 362/285, 287, 418, 419,
362/427, 147, 269, 271, 275, 291, 310, 311,
362/362, 296, 159, 187, 266; D10/114

DESCRIPTION

See application file for complete search history.

FIG. 1 is a perspective view of a solar-powered light showing
the new design;

(56) **References Cited**

FIG. 2 is a front elevational view;

U.S. PATENT DOCUMENTS

FIG. 3 is a rear elevational view;

D294,179 S * 2/1988 Lasker D26/65

FIG. 4 is a right side elevational view thereof;

D303,719 S * 9/1989 Lasker et al. D26/65

FIG. 5 is a left side elevational view thereof;

D342,334 S * 12/1993 Vakil D26/51

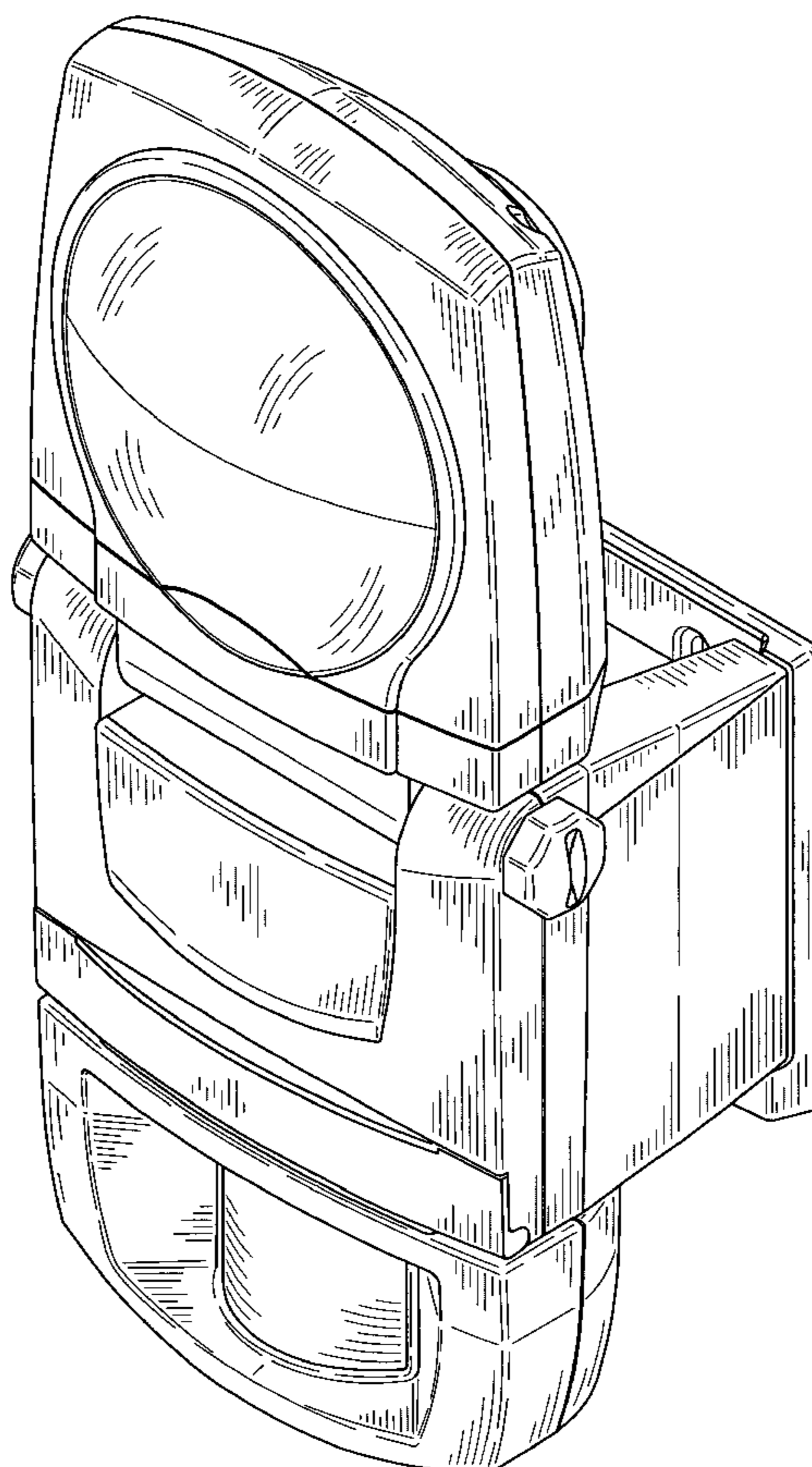
FIG. 6 is a top plan view thereof; and,

D404,152 S * 1/1999 Lynch et al. D26/37

FIG. 7 is a bottom plan view thereof.

D555,691 S * 11/2007 Kato et al. D16/203

1 Claim, 6 Drawing Sheets



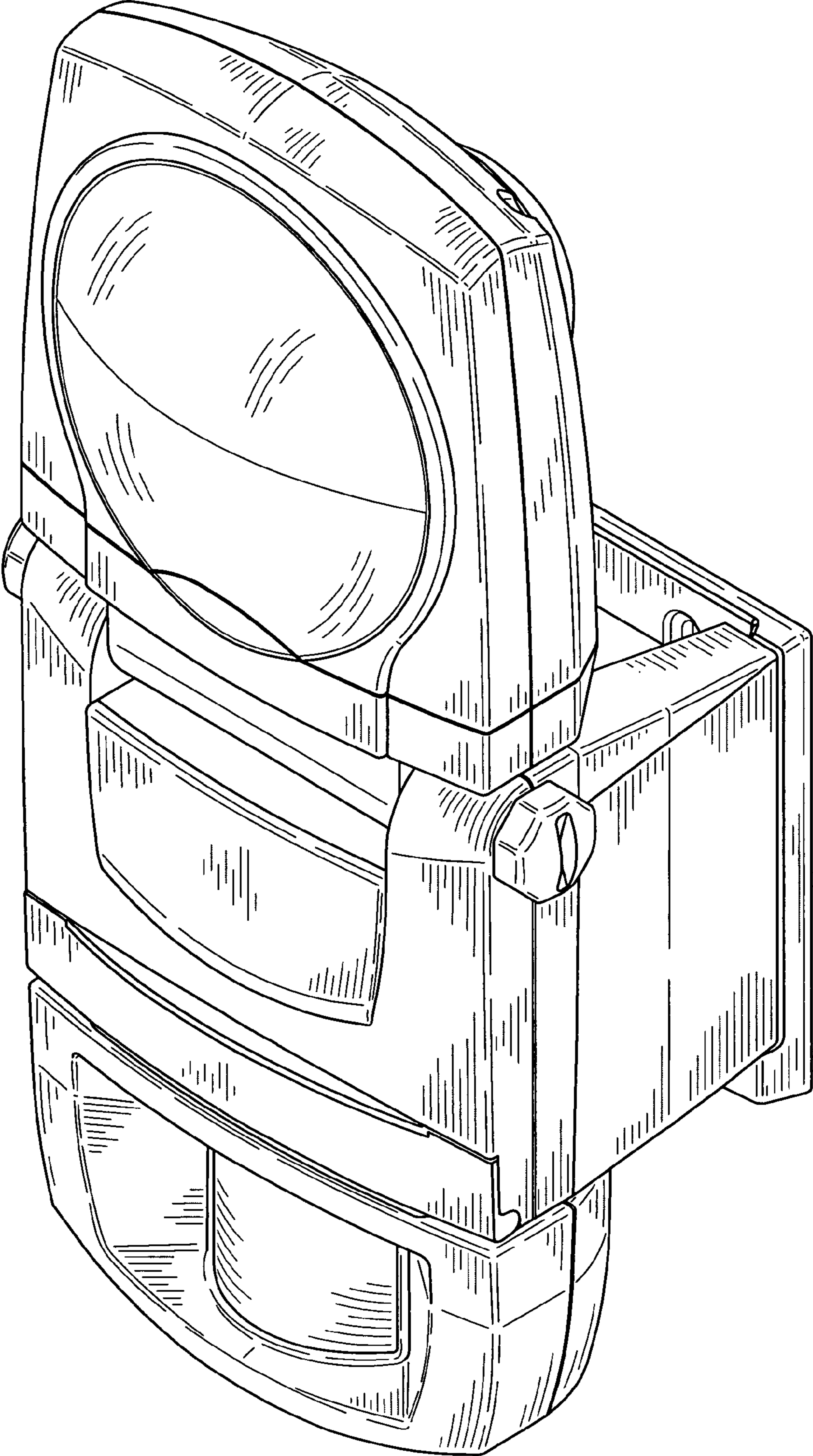


FIG. 1

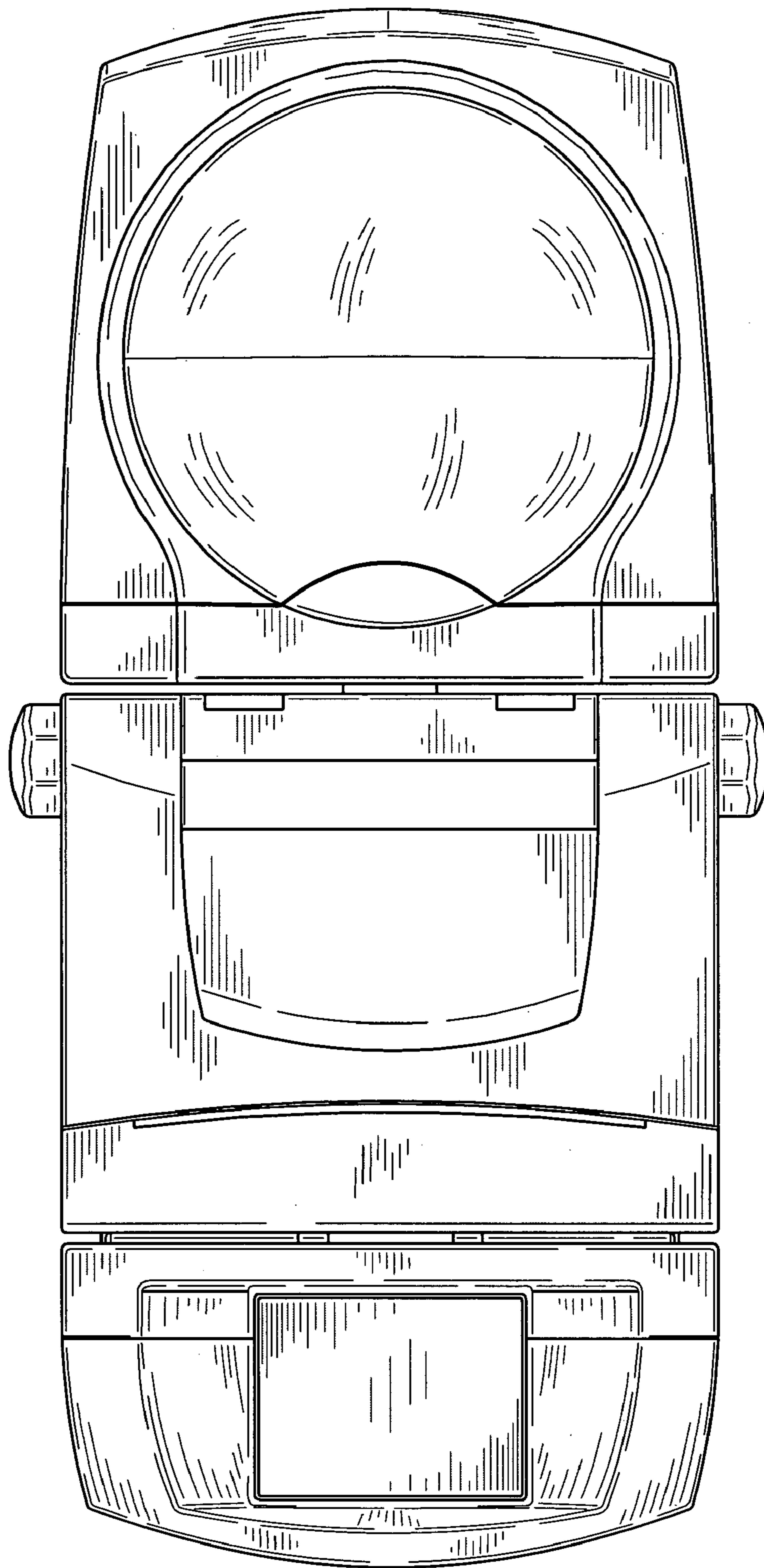


FIG. 2

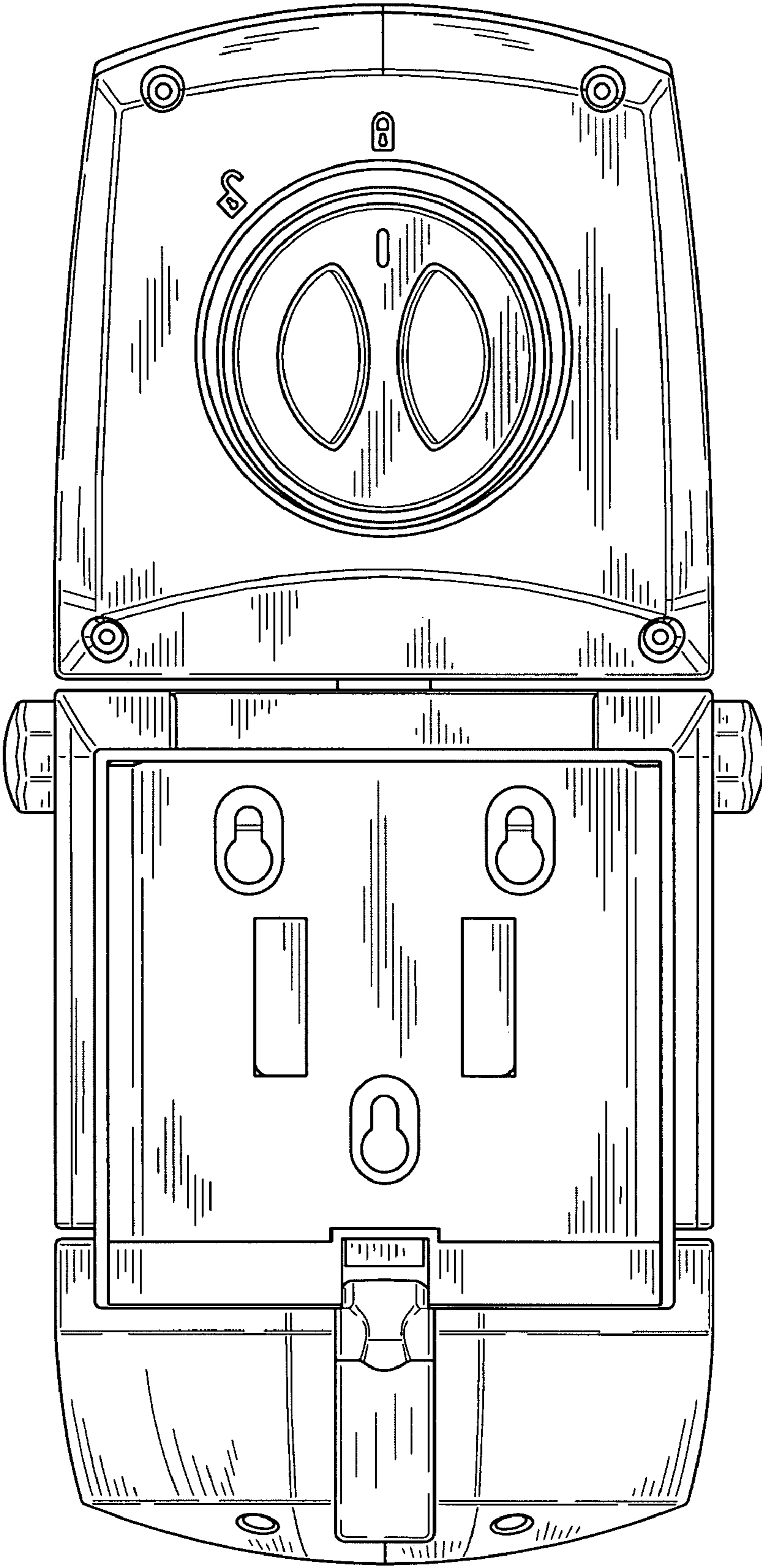


FIG. 3

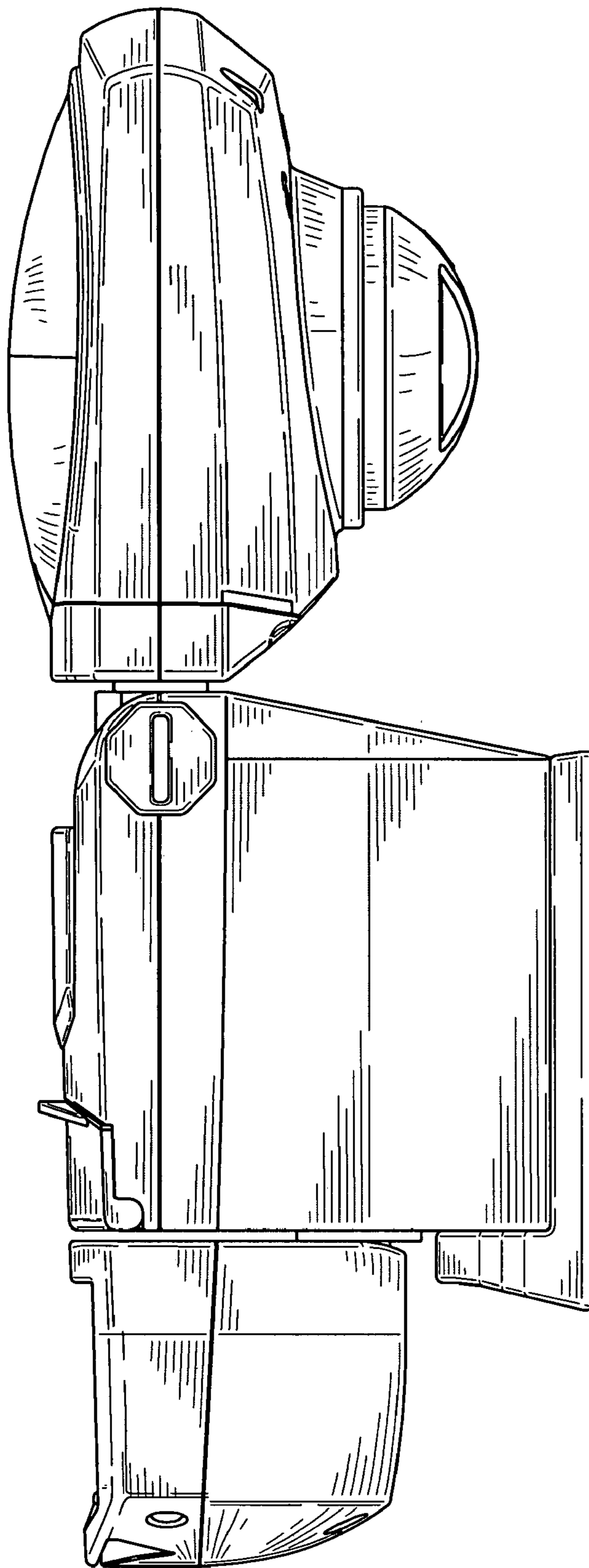


FIG. 4

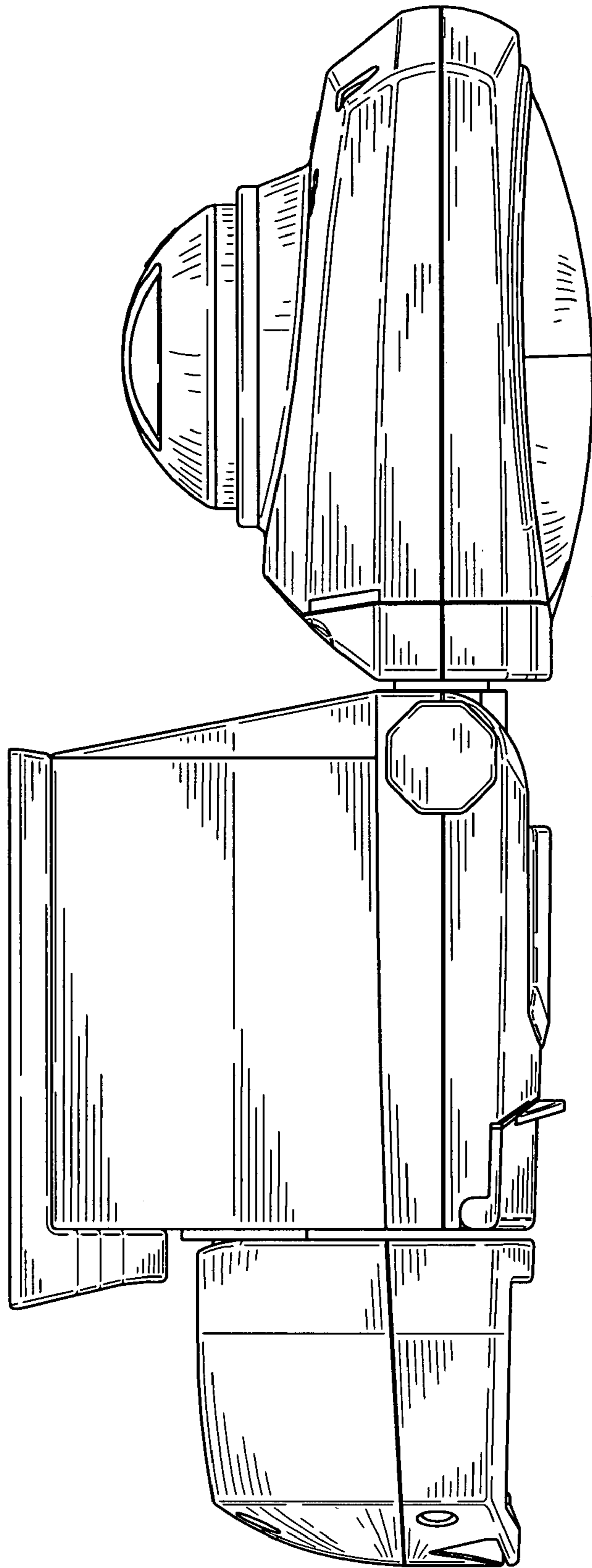


FIG. 5

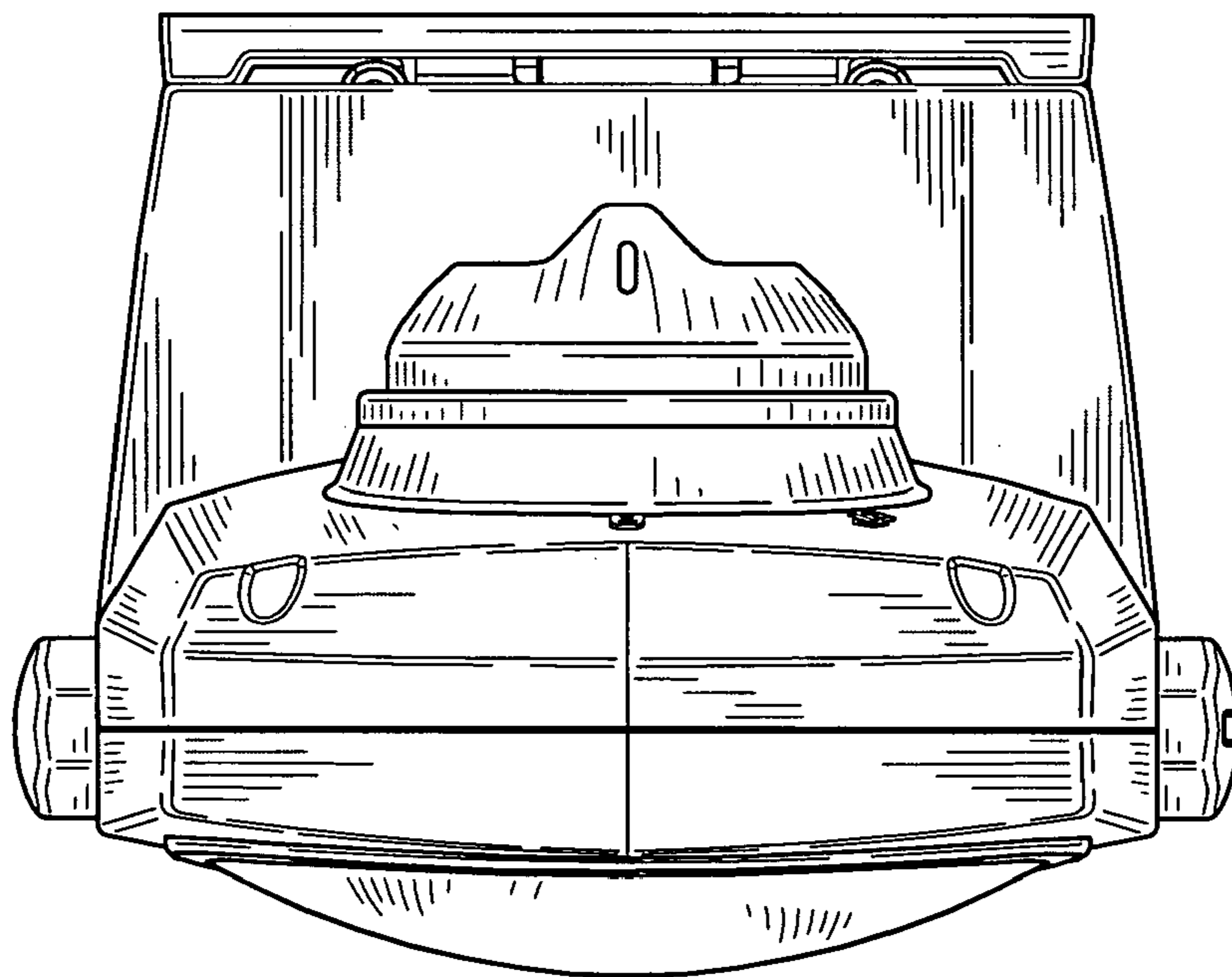


FIG. 6

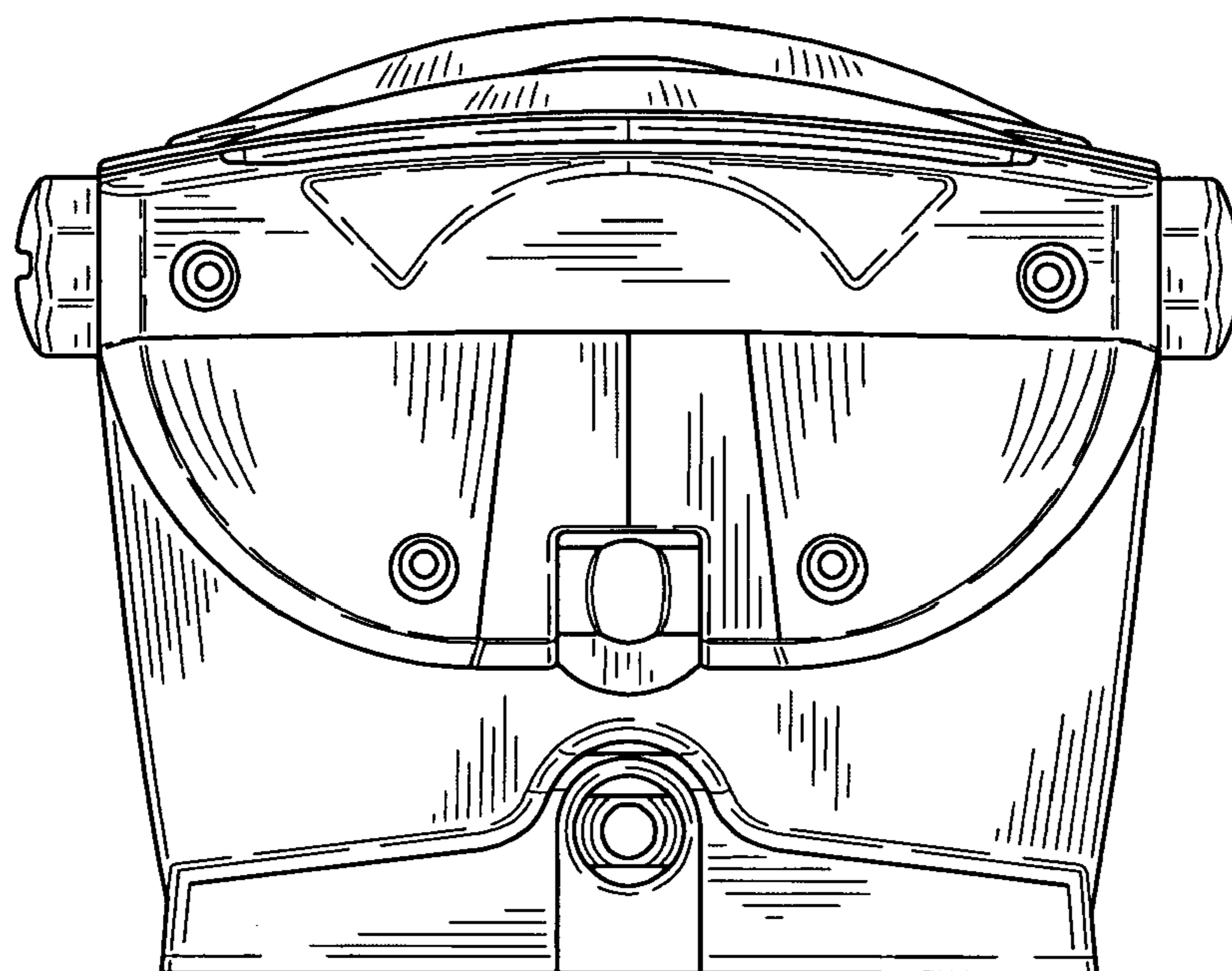


FIG. 7