



US00D573286S

(12) **United States Design Patent**  
**Zettl**

(10) **Patent No.:** **US D573,286 S**  
(45) **Date of Patent:** **\*\* Jul. 15, 2008**

(54) **LAMP WITH SUPPORT BRACKET**

D551,373 S \* 9/2007 Korpi ..... D26/63

(75) Inventor: **Bernhard Zettl**, Hartberg (AT)

FOREIGN PATENT DOCUMENTS

(73) Assignee: **Hella Fahrzeugteile Austria GmbH**,  
Grosspetersdorf (AT)

EM 000105671-0005 \* 11/2003

\* cited by examiner

(\*\*) Term: **14 Years**

*Primary Examiner*—Cathron Brooks

*Assistant Examiner*—Barbara Fox

(21) Appl. No.: **29/273,957**

(74) *Attorney, Agent, or Firm*—Friedrich Kueffner

(22) Filed: **Mar. 16, 2007**

(57) **CLAIM**

(30) **Foreign Application Priority Data**

The ornamental design for a lamp with support bracket, as shown and described.

Sep. 19, 2006 (EM) ..... 000590567

**DESCRIPTION**

(51) **LOC (8) Cl.** ..... **26-05**

FIG. 1 is a perspective bottom view of a lamp with support bracket showing my new design;

(52) **U.S. Cl.** ..... **D26/63**

FIG. 2 is a front view thereof;

(58) **Field of Classification Search** ..... D26/28,  
D26/60–66; 362/269–271, 273, 285, 287,  
362/289, 372, 396, 418, 426, 427, 430, 648,  
362/650

FIG. 3 is a side view thereof; and

See application file for complete search history.

FIG. 4 is a side view thereof, showing the support bracket in an alternate position;

(56) **References Cited**

FIG. 5 is a side view thereof, showing the support bracket in another alternate position;

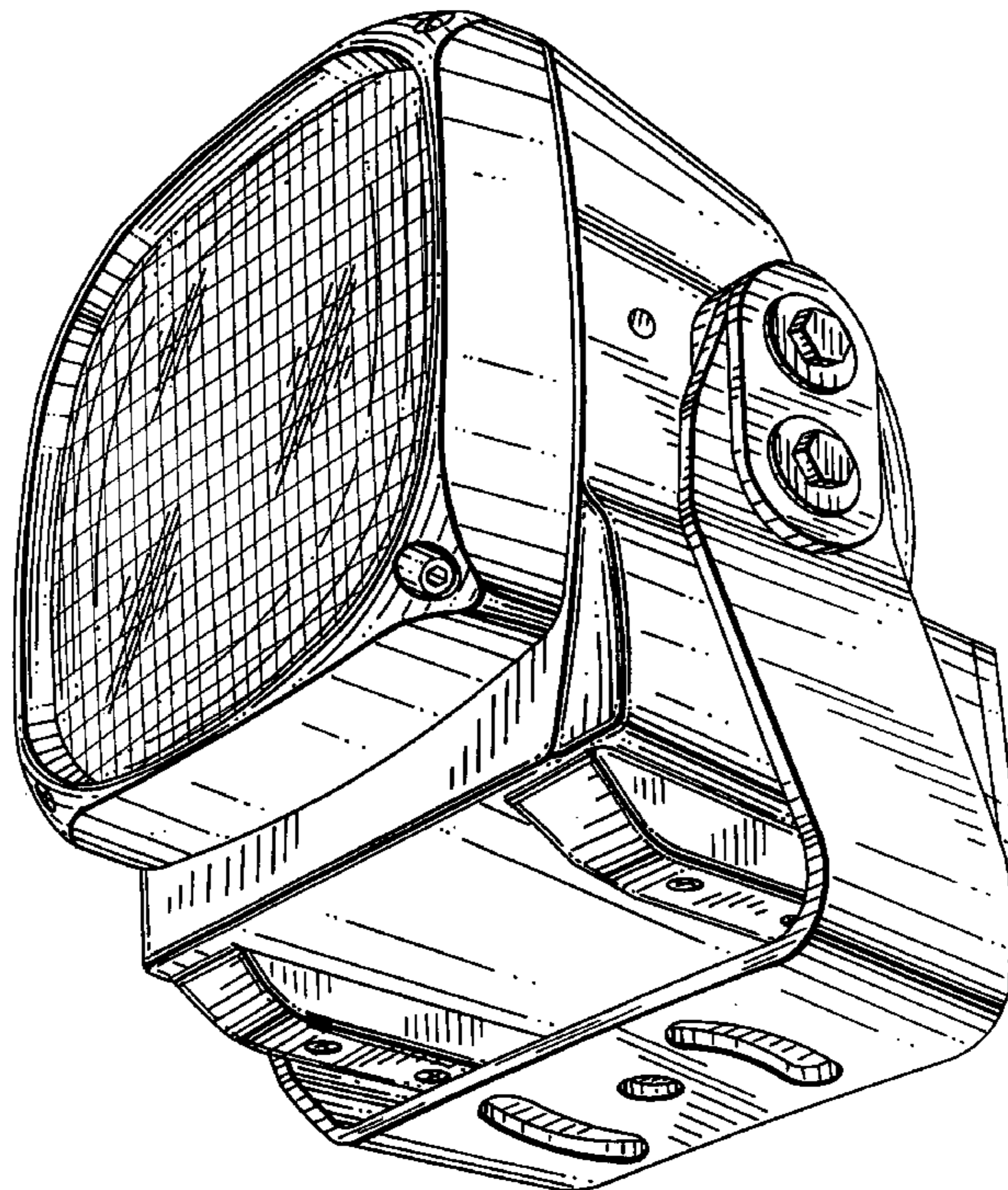
U.S. PATENT DOCUMENTS

FIG. 6 is a side view thereof, showing the support bracket in third alternate position; and,

- D185,596 S \* 6/1959 Dean ..... D26/63
- D213,582 S \* 3/1969 Husby ..... D26/63
- D390,979 S \* 2/1998 Yamamoto ..... D26/28
- D438,653 S \* 3/2001 Ljungstrom ..... D26/28
- D550,880 S \* 9/2007 Korpi ..... D26/63
- D551,372 S \* 9/2007 Korpi ..... D26/63

FIG. 7 is a side view thereof, showing the support bracket in fourth alternate position.

**1 Claim, 7 Drawing Sheets**



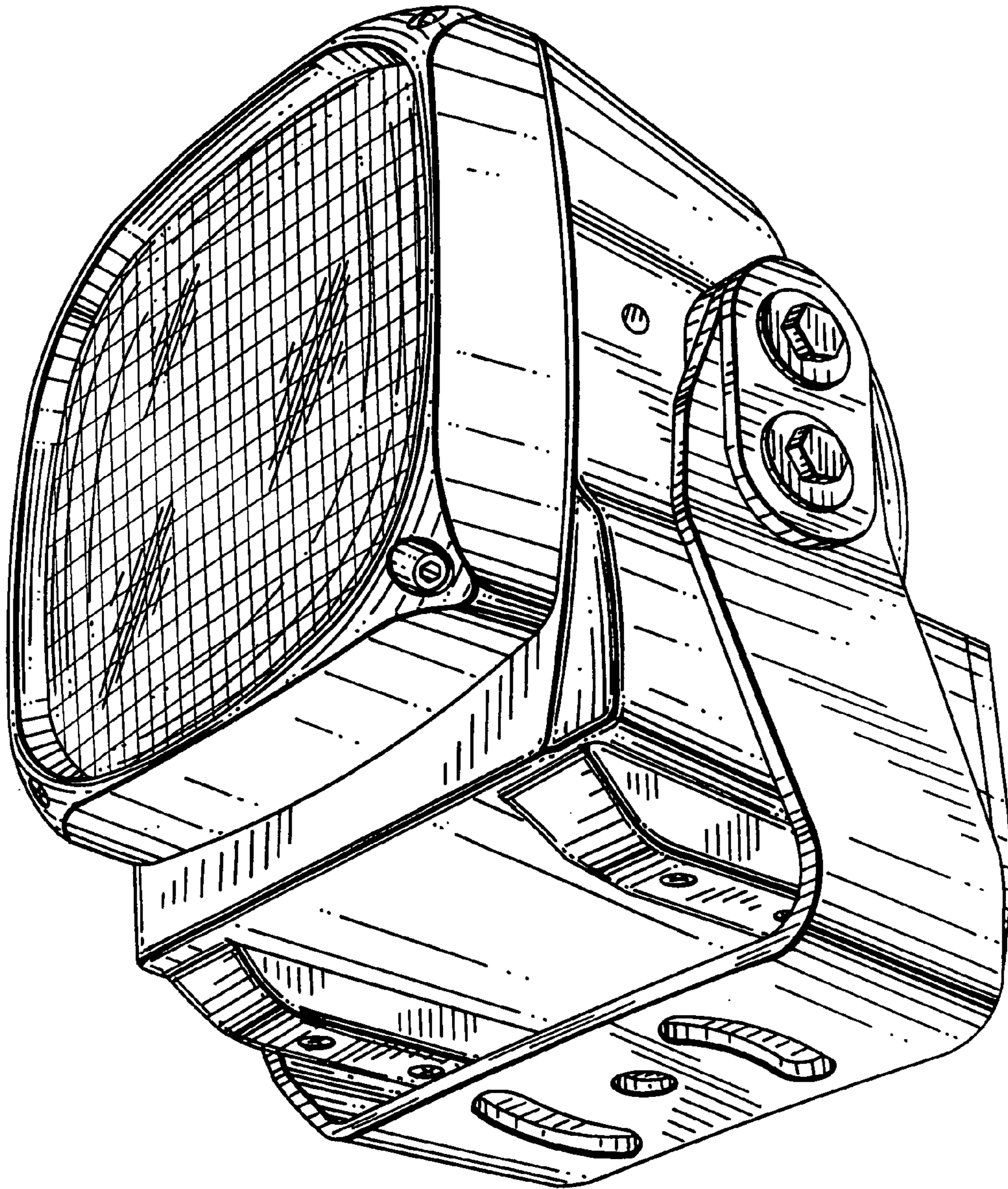


FIG. 1



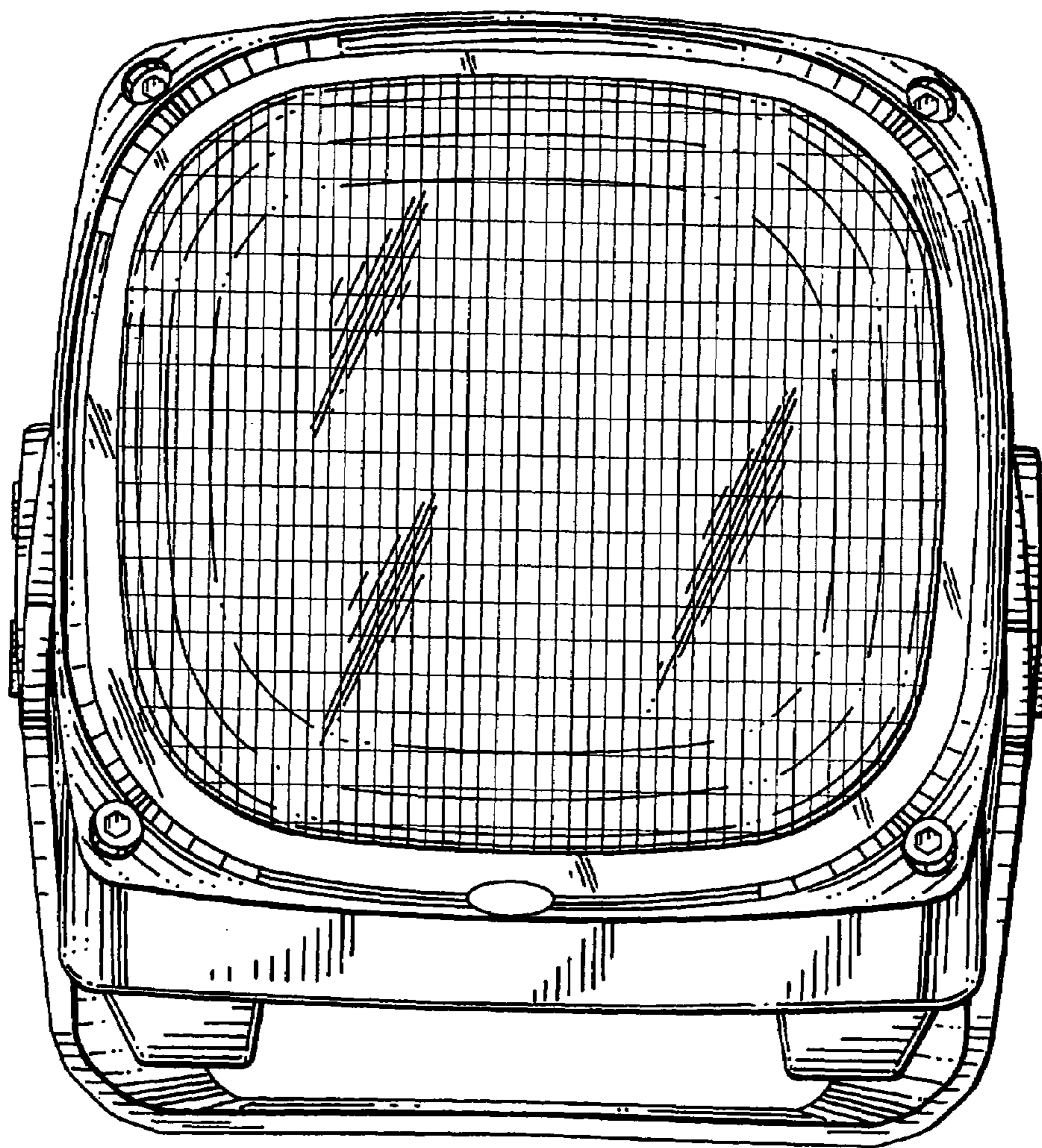


FIG. 2

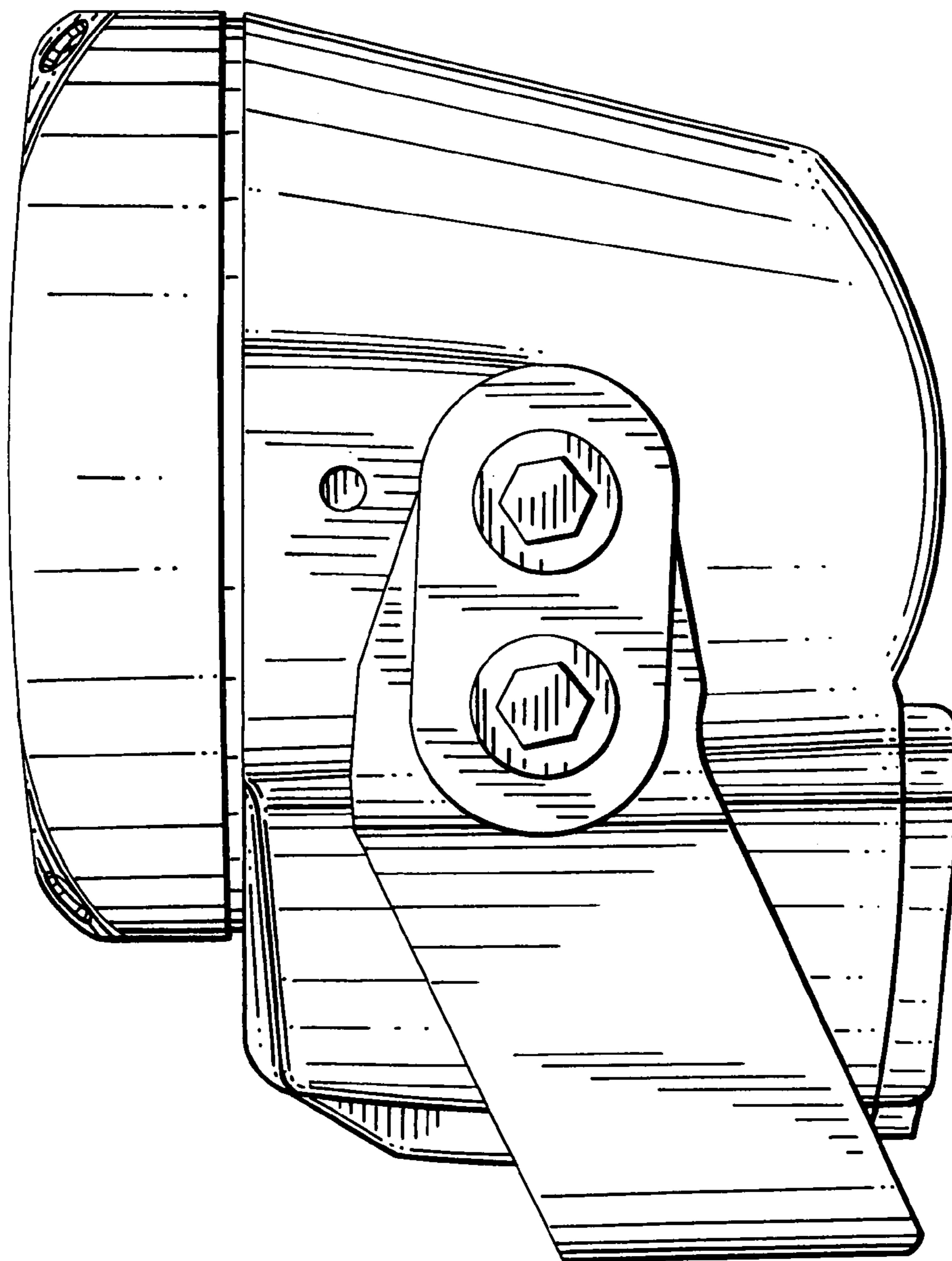


FIG. 3

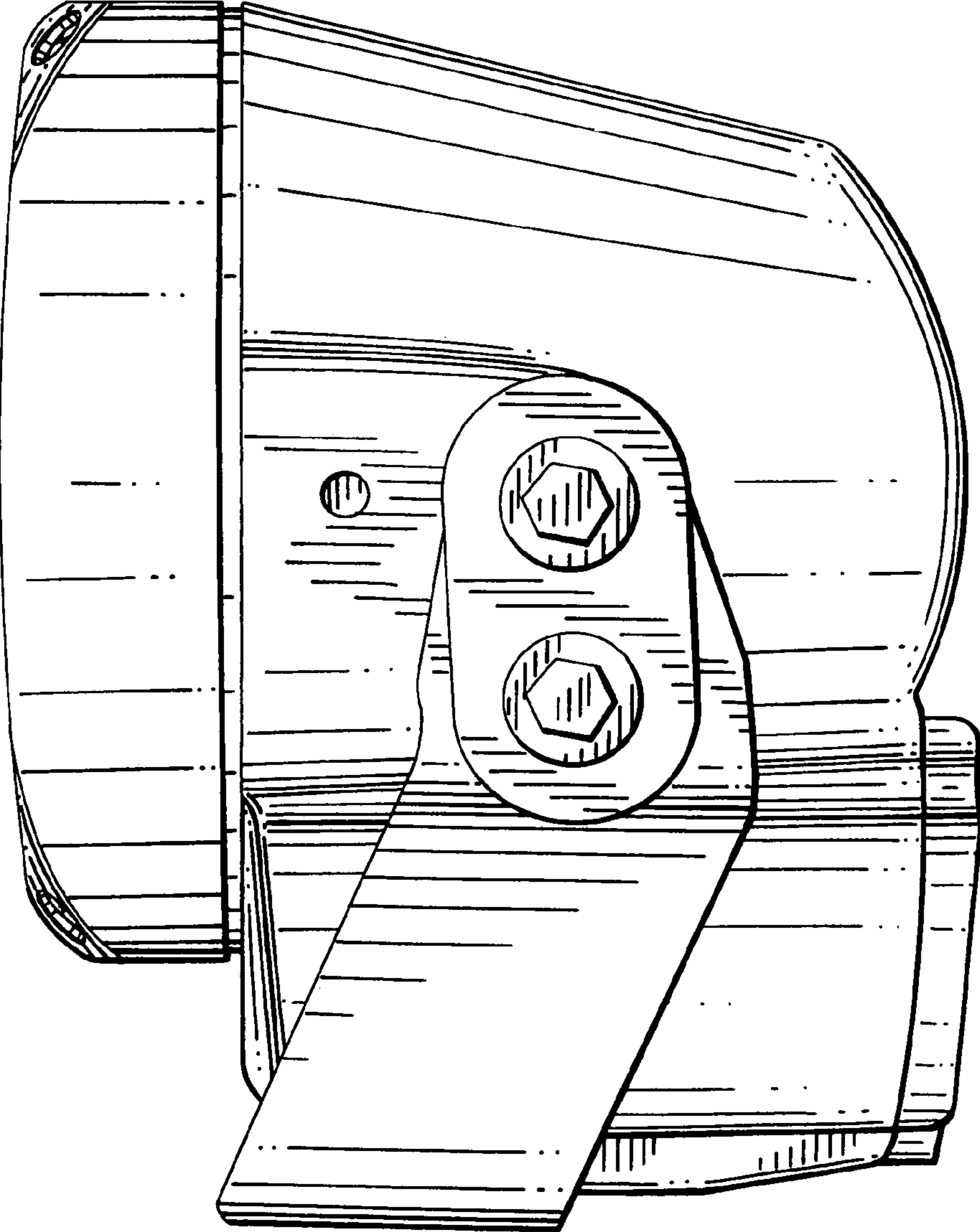


FIG. 4

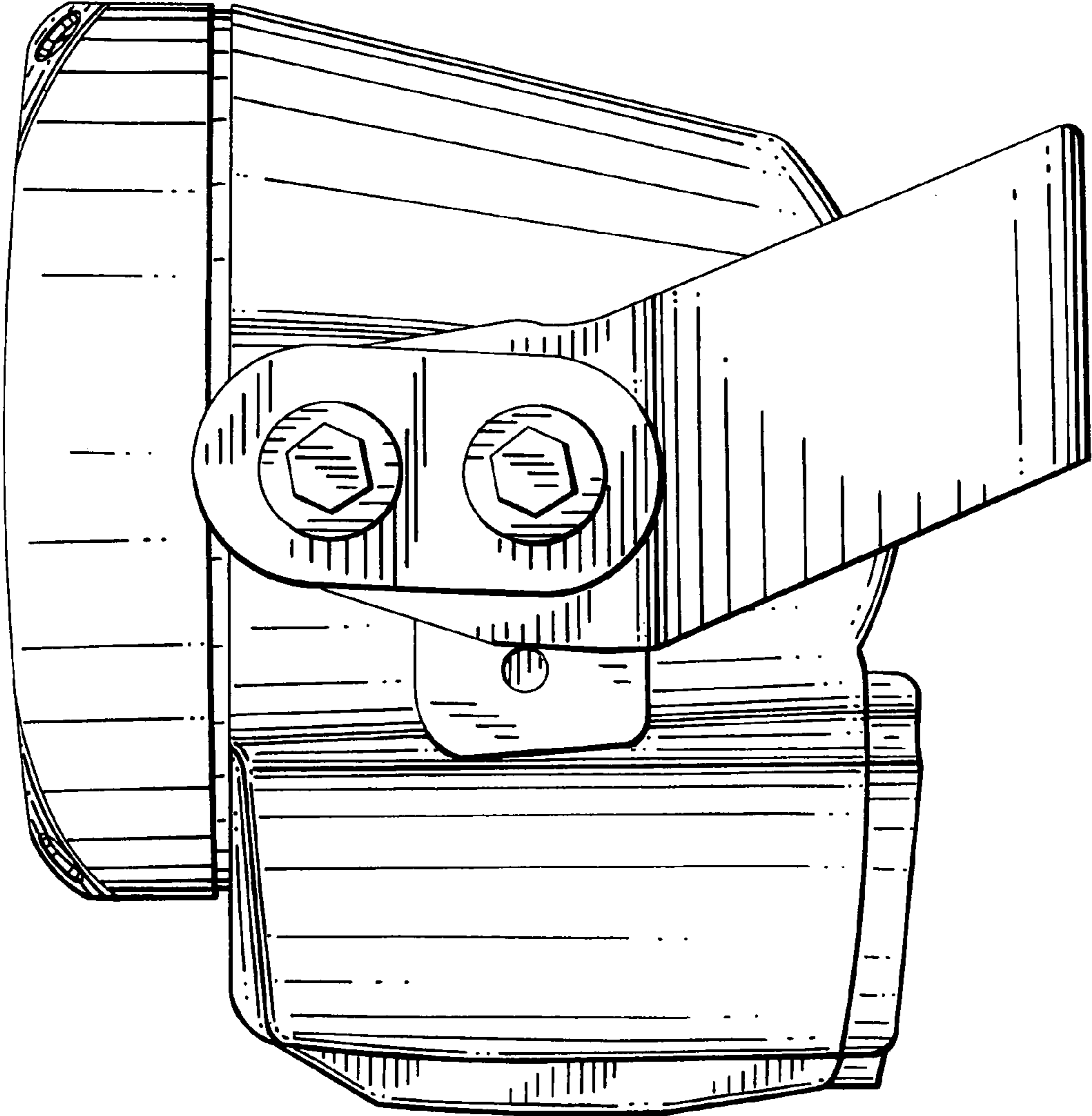


FIG. 5

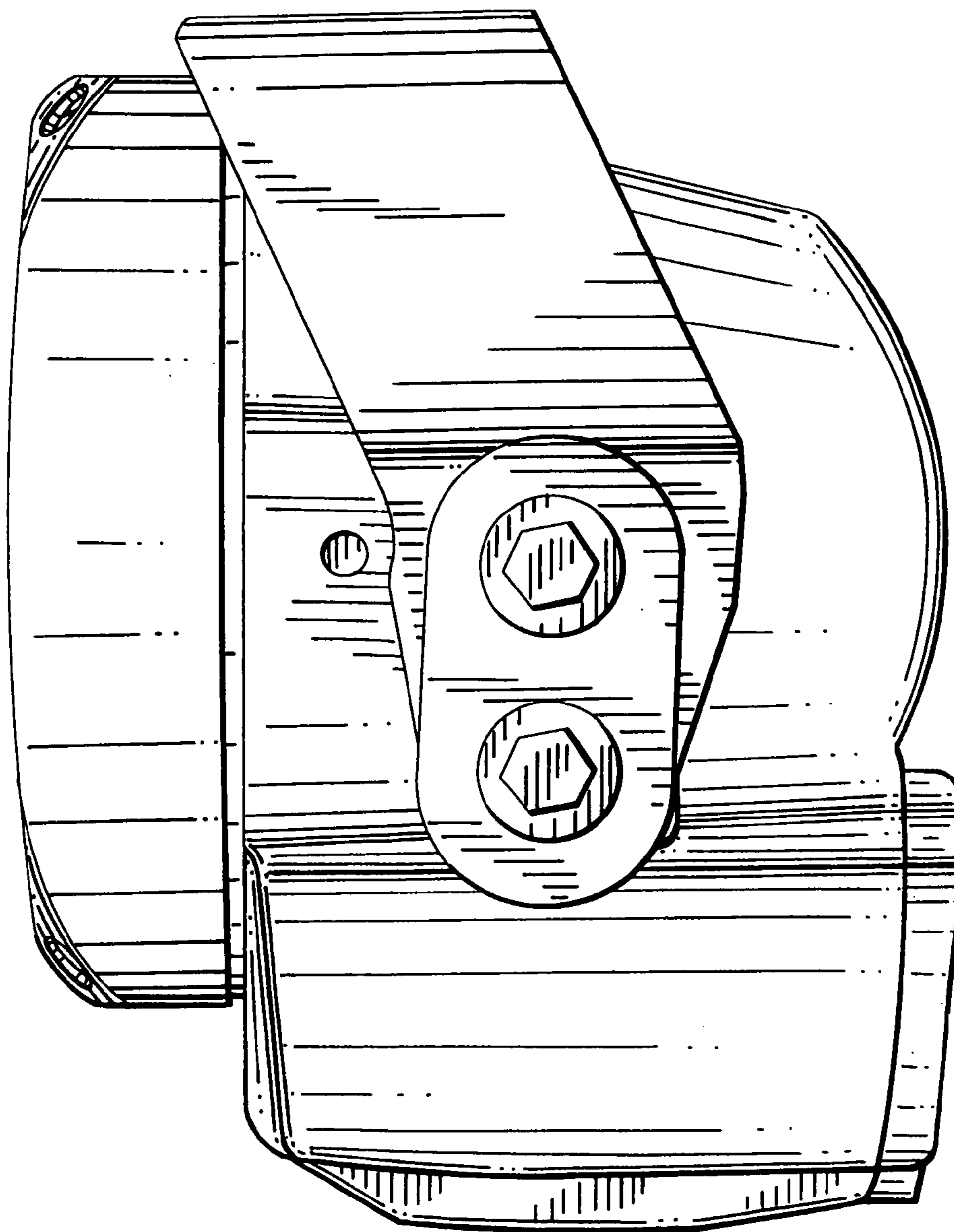


FIG. 6

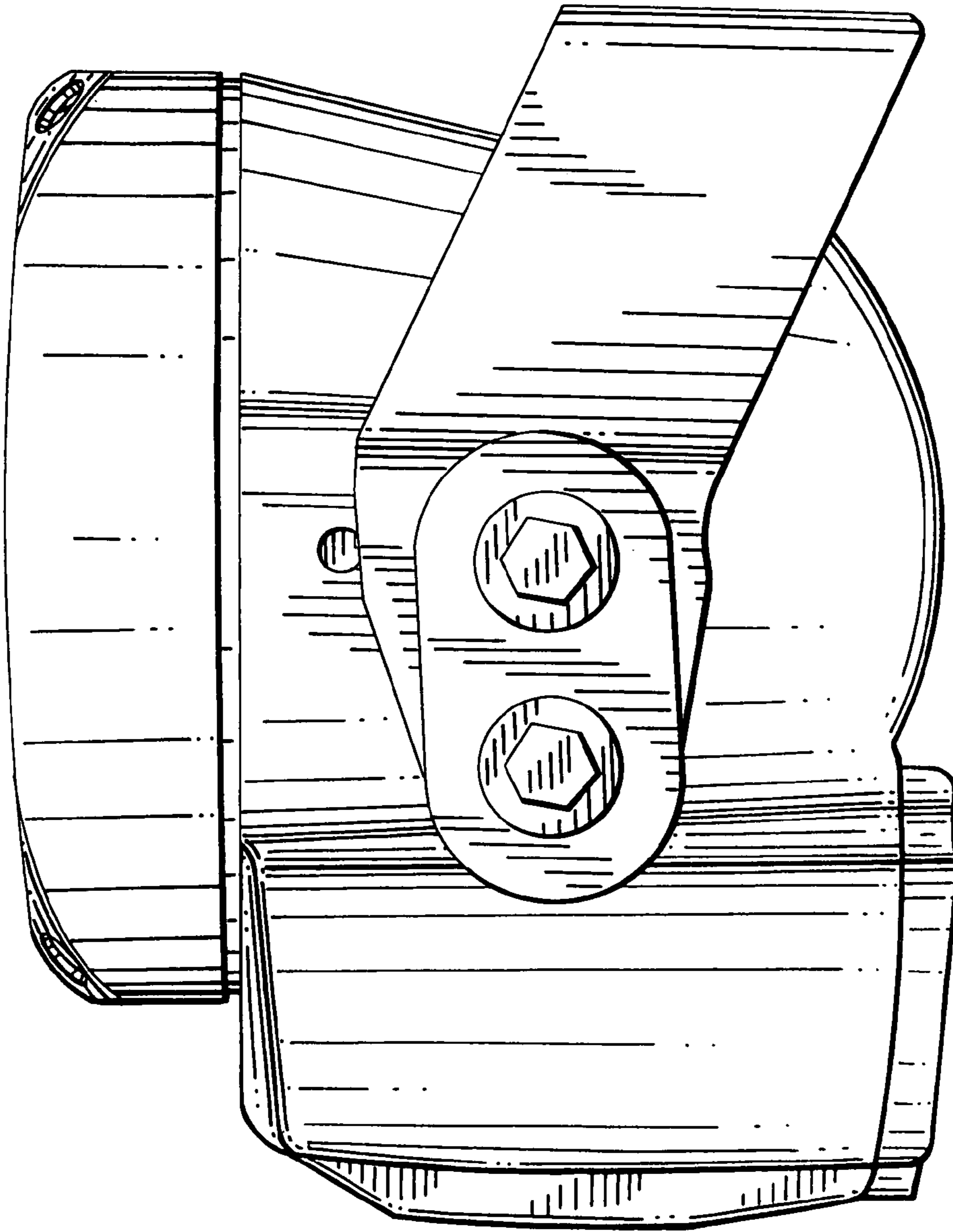


FIG. 7