



US00D573284S

(12) **United States Design Patent**  
**Hsu**

(10) **Patent No.:** **US D573,284 S**  
(45) **Date of Patent:** **\*\* Jul. 15, 2008**

(54) **EXTERIOR SURFACE CONFIGURATION OF VEHICLE FRONT LIGHT**

D550,380 S \* 9/2007 Lin ..... D26/28

\* cited by examiner

(76) **Inventor:** **Hong Ming Hsu**, No 152. Sec 2, Funong St, East District, Tainan City (TW) 701

*Primary Examiner*—Marcus A. Jackson

(74) *Attorney, Agent, or Firm*—Alexander Chen, Esq.

(\*\*) **Term:** **14 Years**

(57) **CLAIM**

(21) **Appl. No.:** **29/302,075**

The ornamental design for an exterior surface configuration of a vehicle front light, as shown and described.

(22) **Filed:** **Jan. 10, 2008**

(51) **LOC (8) Cl.** ..... **26-06**

(52) **U.S. Cl.** ..... **D26/28**

(58) **Field of Classification Search** ..... D26/28-36;  
362/459-468, 475-478, 485-487

See application file for complete search history.

**DESCRIPTION**

FIG. 1 is perspective view from the front right of an exterior surface configuration of a vehicle front light. The drawings and descriptions represent the left side embodiment. The design also contemplates a mirror symmetrical embodiment on the right side of the vehicle. The dash line included denotes environment and is not part of the claimed design.

FIG. 2 is a front elevation view thereof;

FIG. 3 is a right elevation view thereof; and,

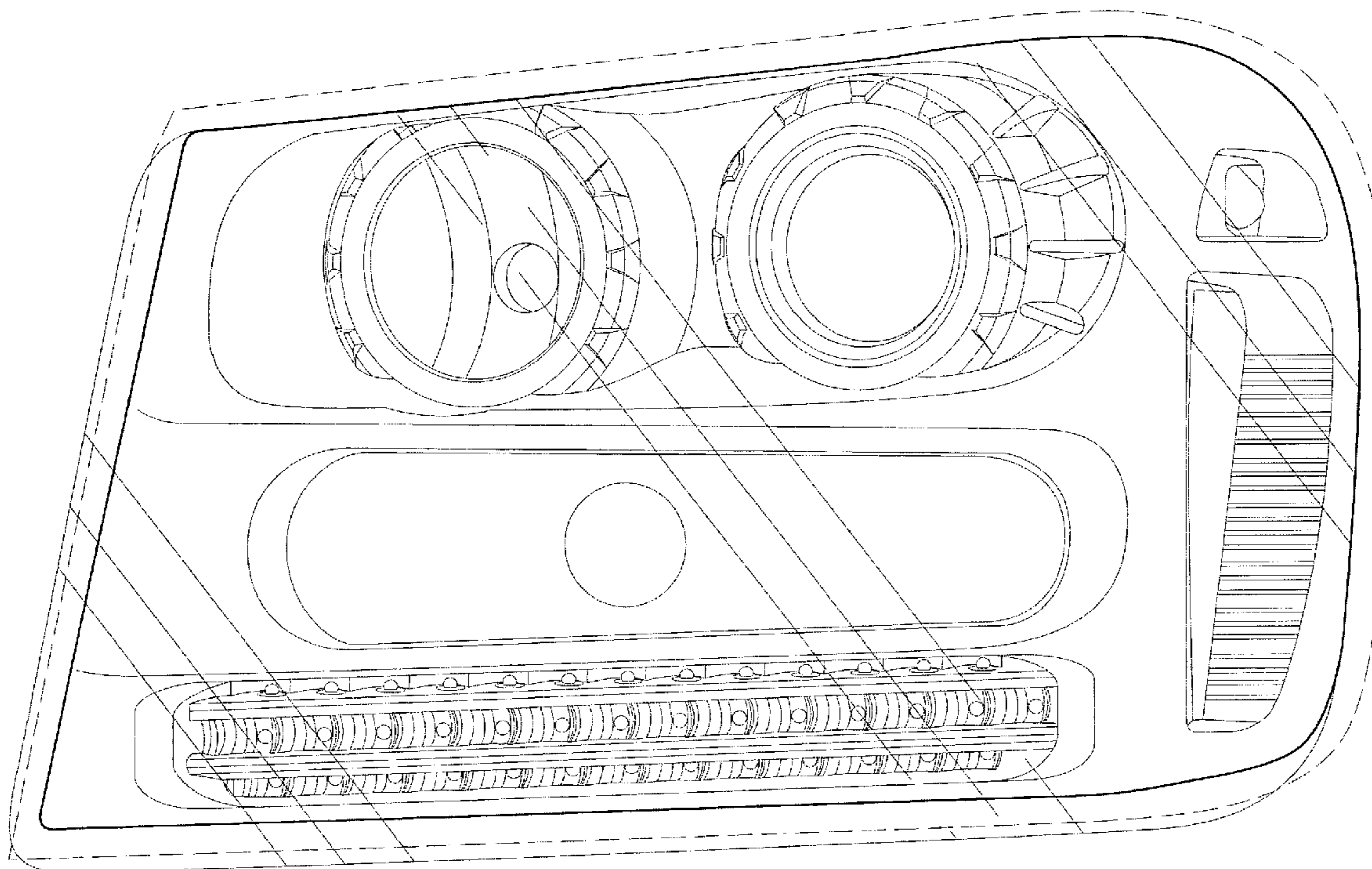
FIG. 4 is a top view thereof.

(56) **References Cited**

**U.S. PATENT DOCUMENTS**

D528,231 S	*	9/2006	Ikeda	.....	D26/28
D528,686 S	*	9/2006	Kato	.....	D26/28
D529,208 S	*	9/2006	Ikeda	.....	D26/28
D535,409 S	*	1/2007	Yamaguchi	.....	D26/28

**1 Claim, 4 Drawing Sheets**



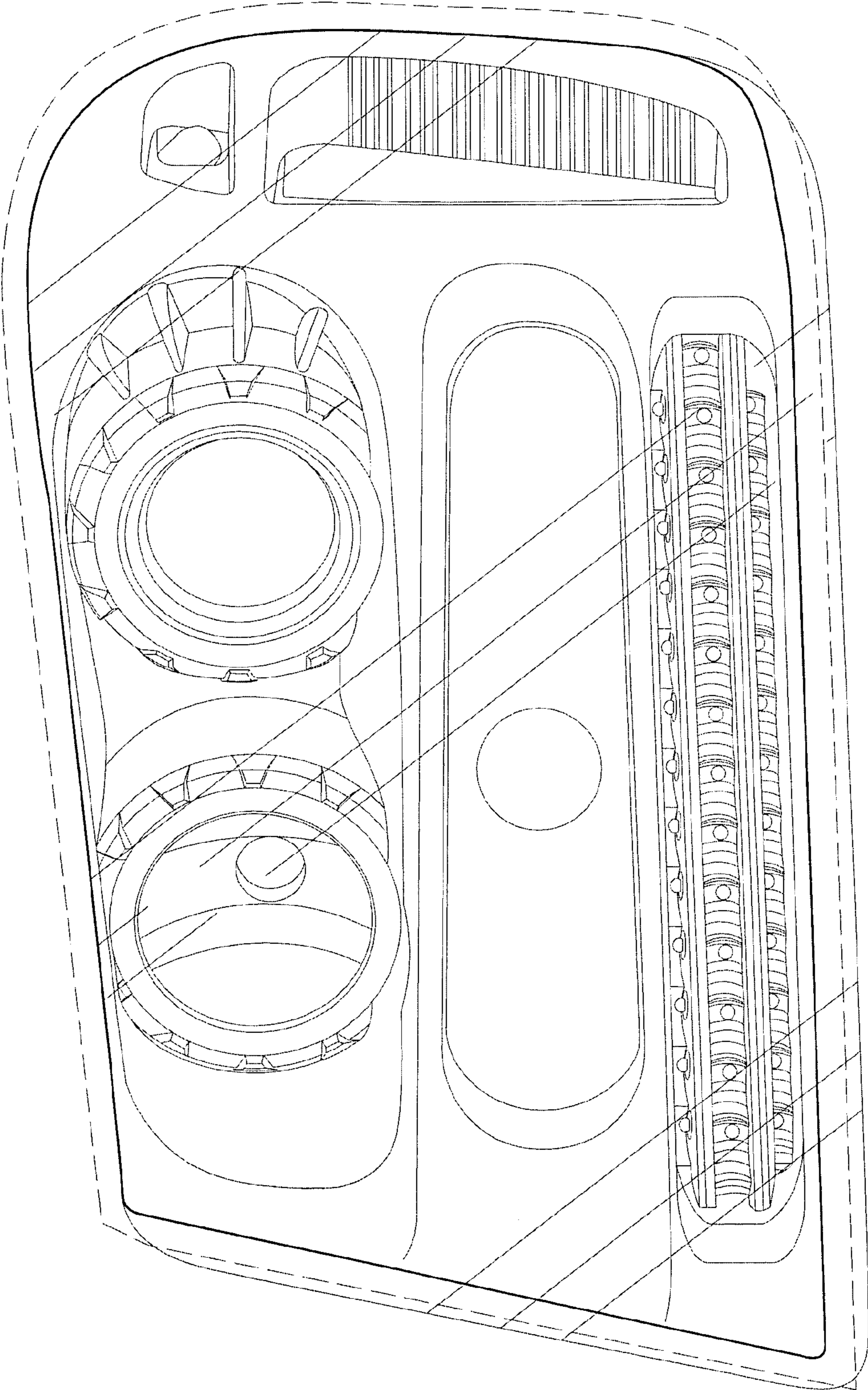


Fig. 1

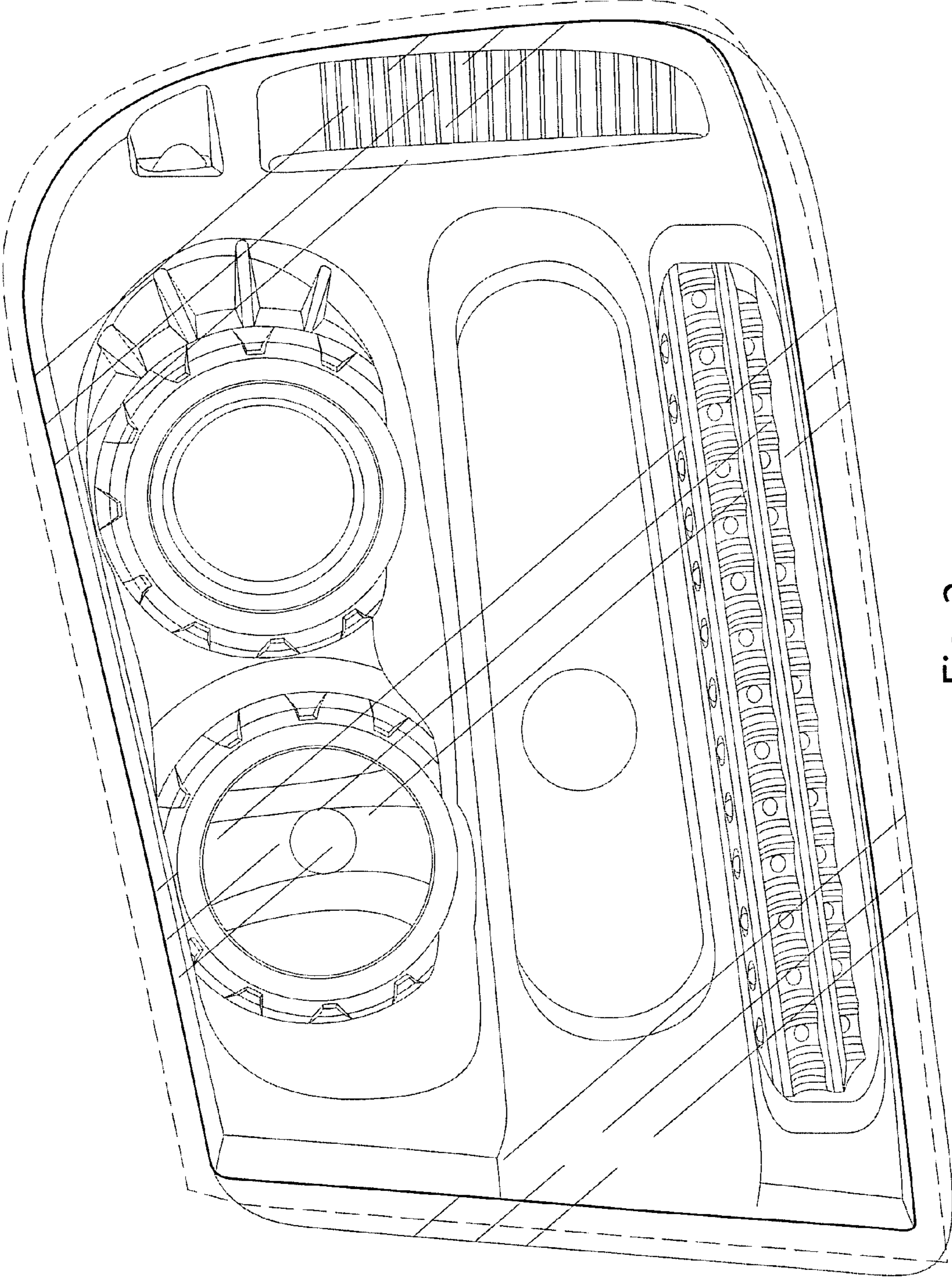


Fig. 2

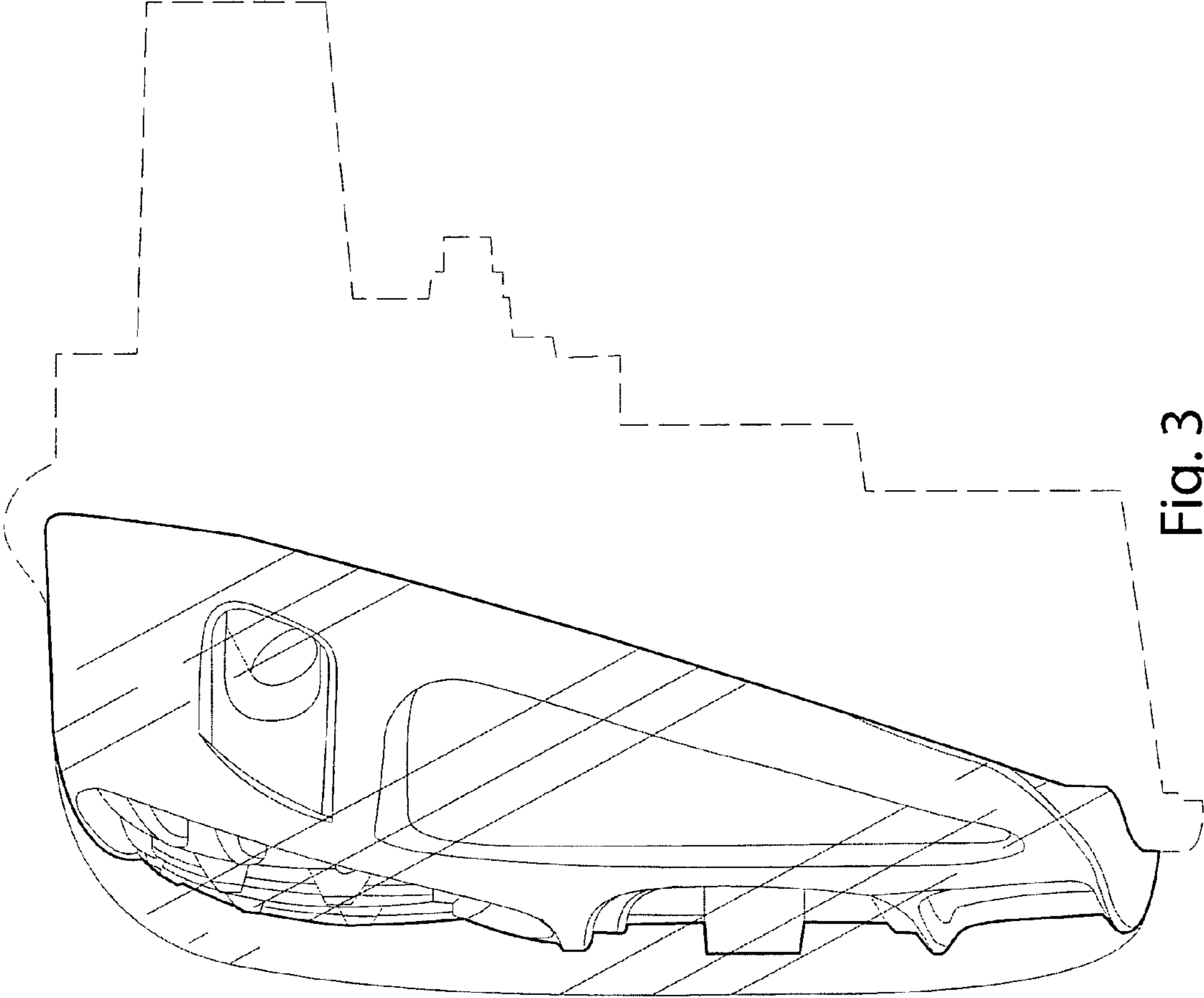


Fig. 3

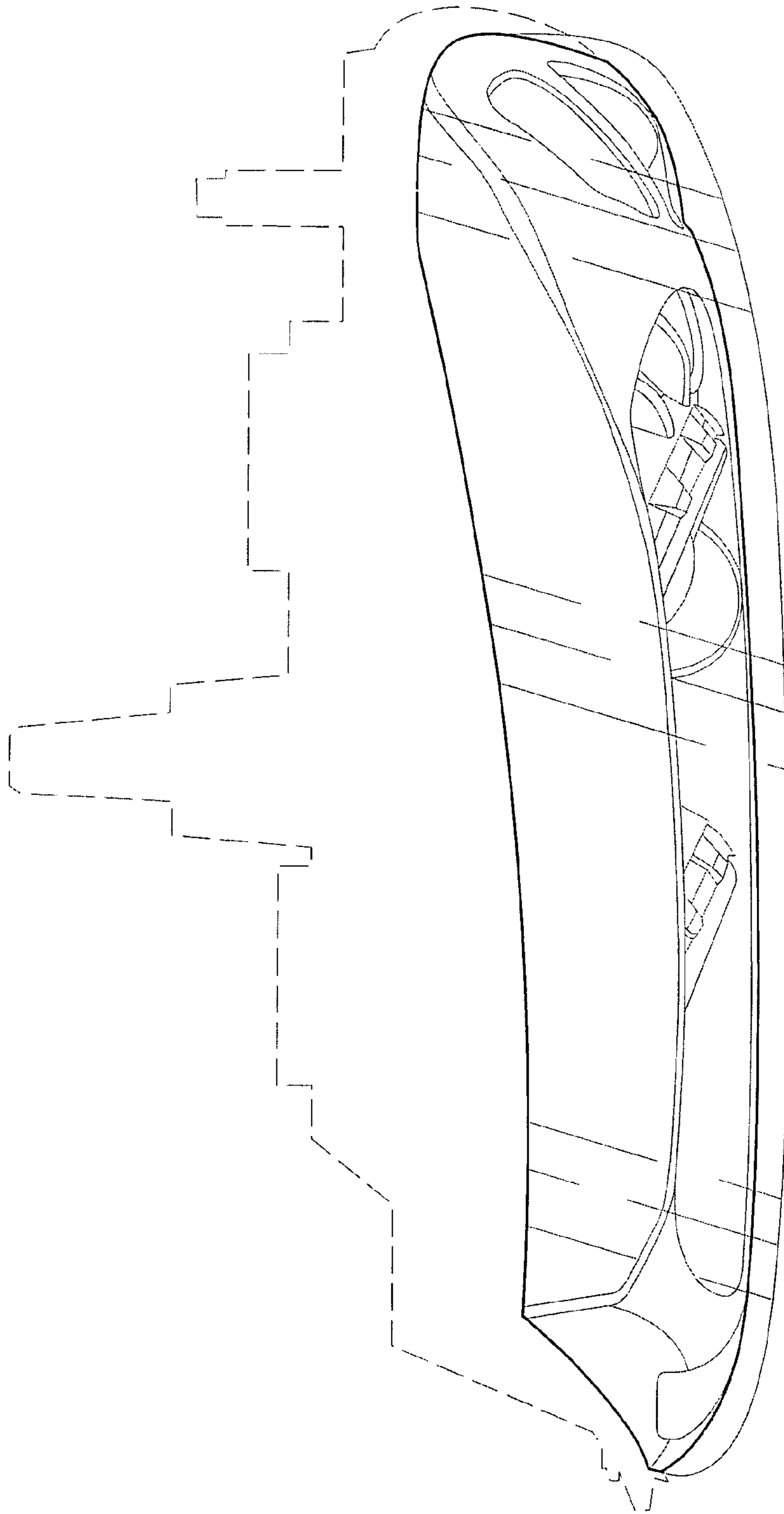


Fig. 4