



US00D573279S

(12) **United States Design Patent**
Kozai et al.

(10) **Patent No.:** **US D573,279 S**
(45) **Date of Patent:** **** Jul. 15, 2008**

(54) **REAR COMBINATION LAMP FOR AN
AUTOMOBILE**

(75) Inventors: **Shigetoshi Kozai**, Chiryu (JP); **Katsumi Nakashima**, Toyota (JP); **Takeo Sowa**, Aichi-ken (JP); **Kazumi Kowaki**, Nisshin (JP)

(73) Assignee: **Toyota Jidosha Kabushiki Kaisha** (JP)

(**) Term: **14 Years**

(21) Appl. No.: **29/285,344**

(22) Filed: **Mar. 27, 2007**

(51) **LOC (8) Cl.** **26-06**

(52) **U.S. Cl.** **D26/28**

(58) **Field of Classification Search** D6/28-36;
362/459-468, 475-478, 485-487
See application file for complete search history.

(56) **References Cited**

U.S. PATENT DOCUMENTS

| | | | | | |
|------------|---|---------|-----------------|-------|--------|
| D552,769 S | * | 10/2007 | Leclercq | | D26/28 |
| D553,269 S | * | 10/2007 | Pfeiffer et al. | | D26/28 |
| D560,292 S | * | 1/2008 | Sato | | D26/28 |
| D561,357 S | * | 2/2008 | Leclercq et al. | | D26/28 |
| D565,211 S | * | 3/2008 | Haller et al. | | D26/28 |

OTHER PUBLICATIONS

Toyota, Crown Athlete, Brochure for Crown Athlete, 2004, Toyota Jidosha Kabushiki Kaisha.

Volkswagen, Touareg, Brochure for Volkswagen Touareg, 2003, Volkswagen Group Japan Kabushiki Kaisha.

* cited by examiner

Primary Examiner—Marcus A. Jackson

(74) *Attorney, Agent, or Firm*—SAIDMAN DesignLaw Group

(57) **CLAIM**

The ornamental design for a rear combination lamp for an automobile, as shown and described.

DESCRIPTION

FIG. 1 is a front perspective view of a rear combination lamp for an automobile showing our new design;

FIG. 2 is a front view thereof;

FIG. 3 is a top view thereof;

FIG. 4 is a bottom view thereof;

FIG. 5 is a left-side view thereof; and,

FIG. 6 is a right-side view thereof.

1 Claim, 2 Drawing Sheets



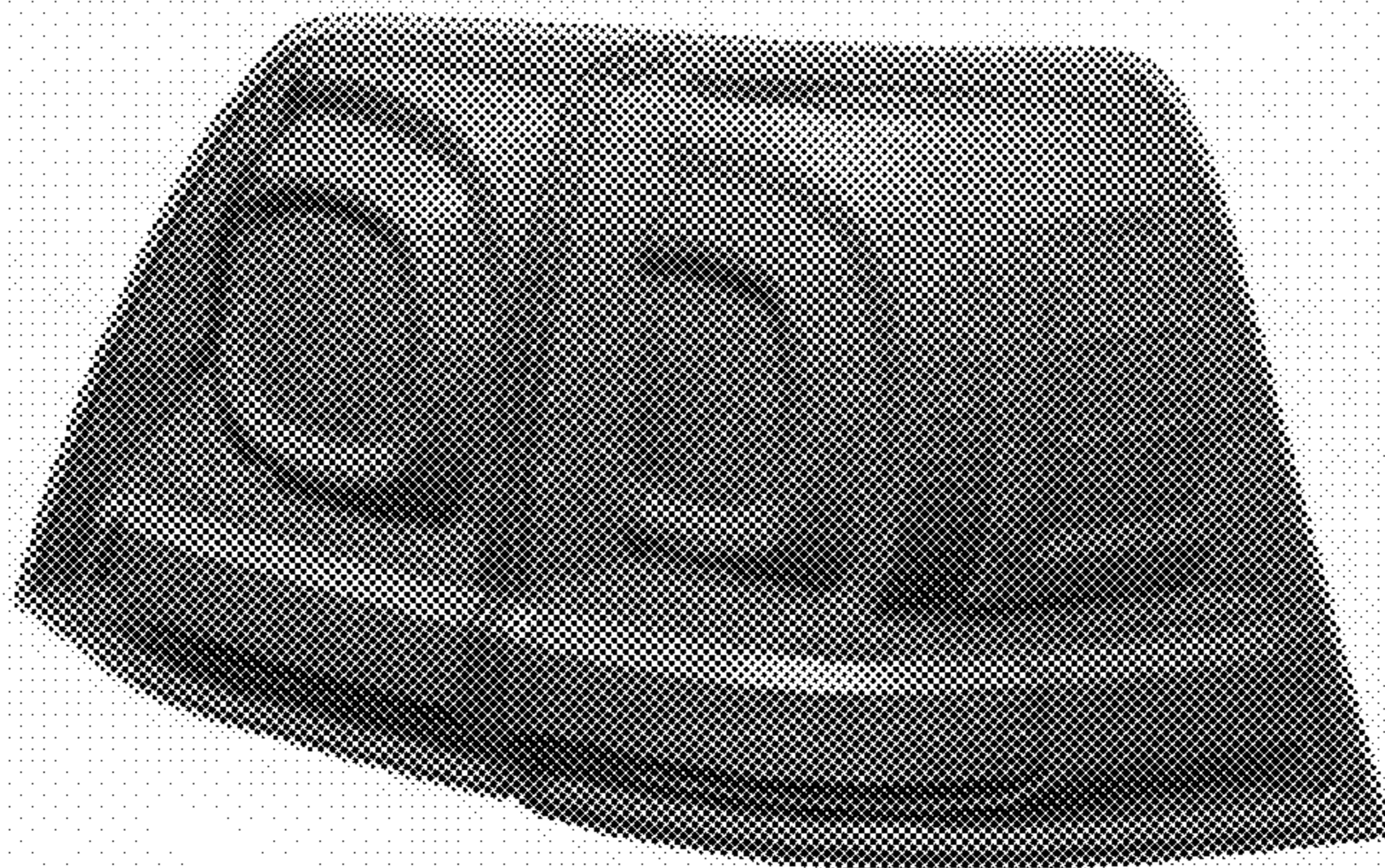


FIG. 1

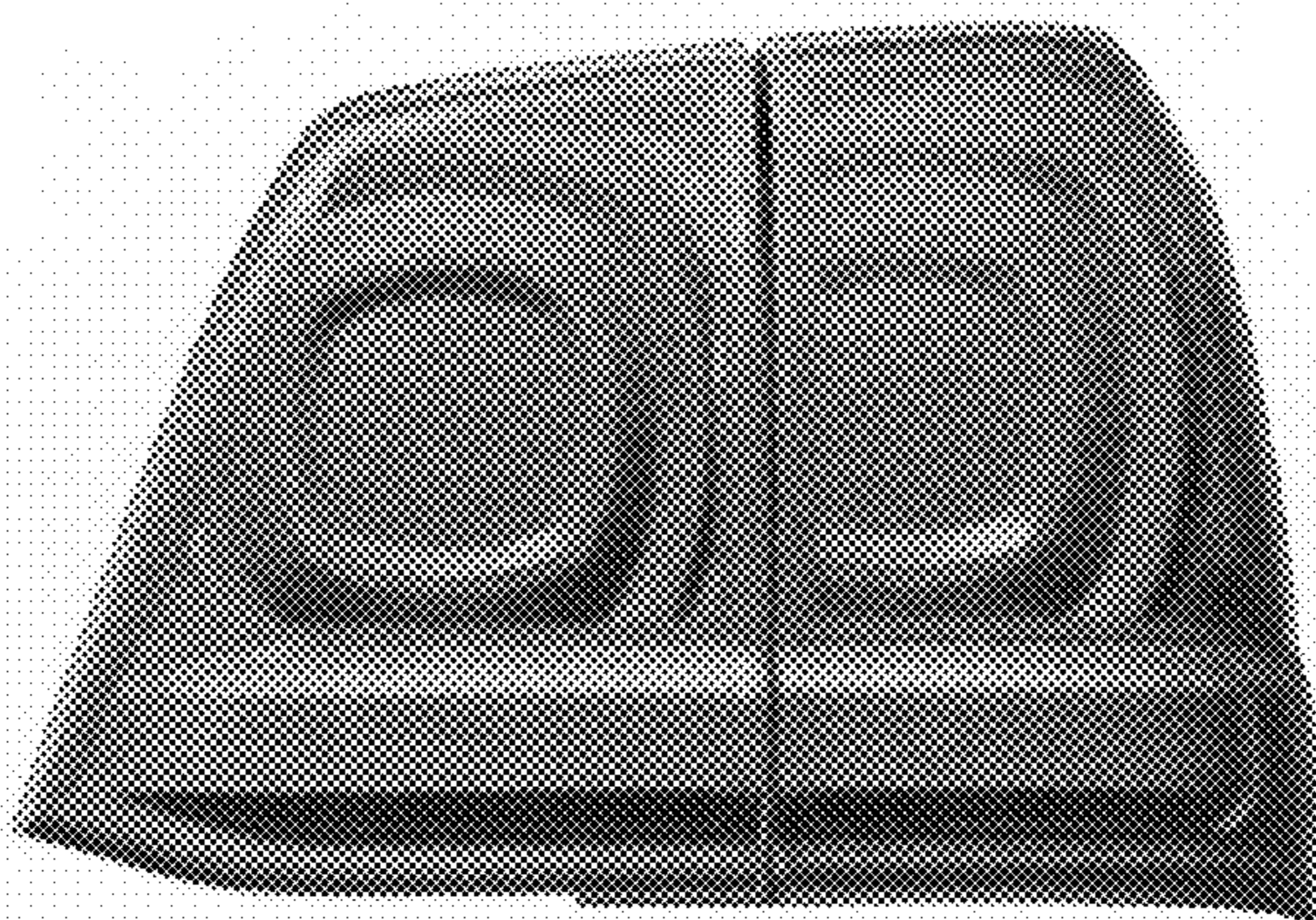


FIG. 2

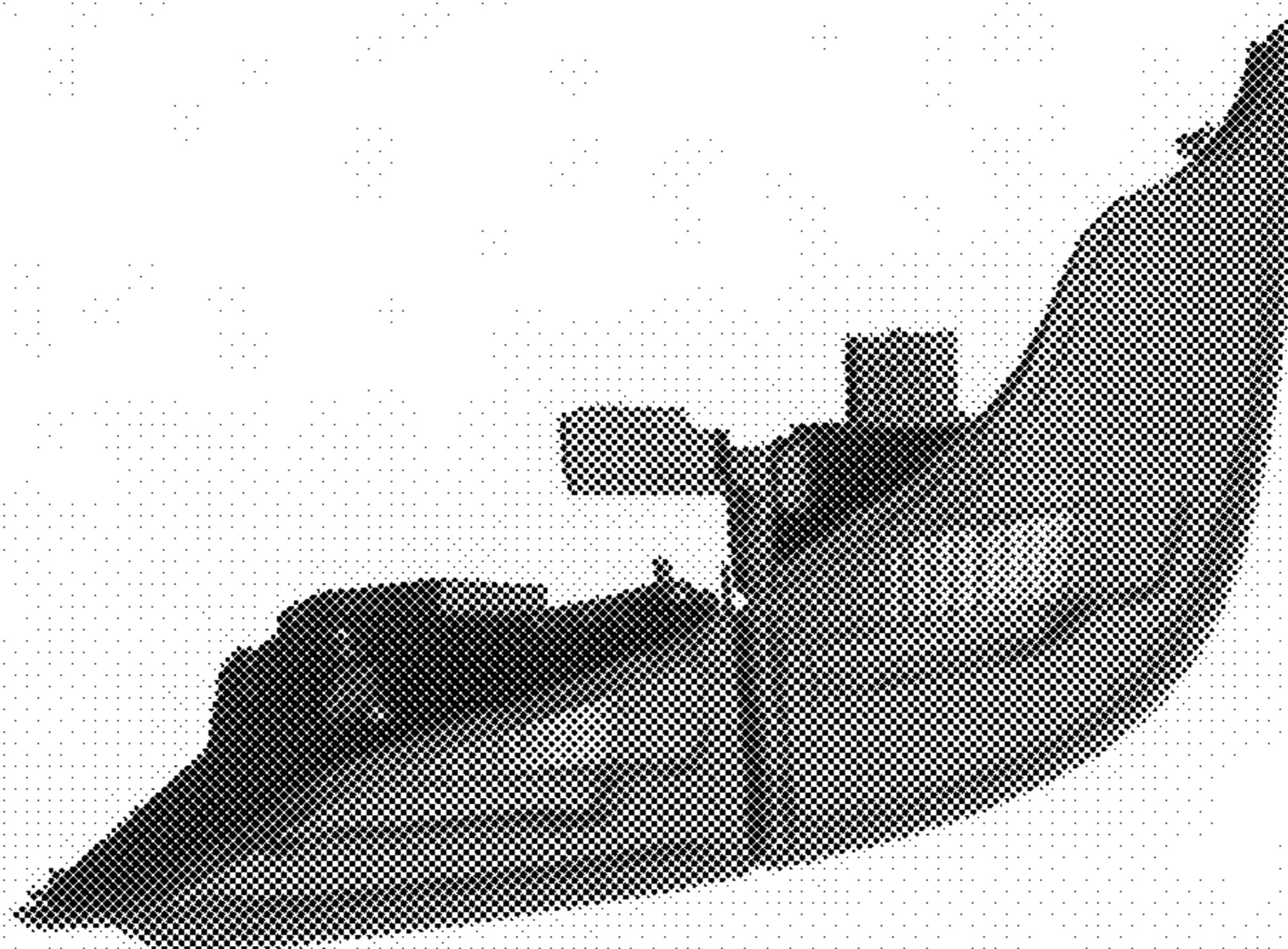


FIG. 3

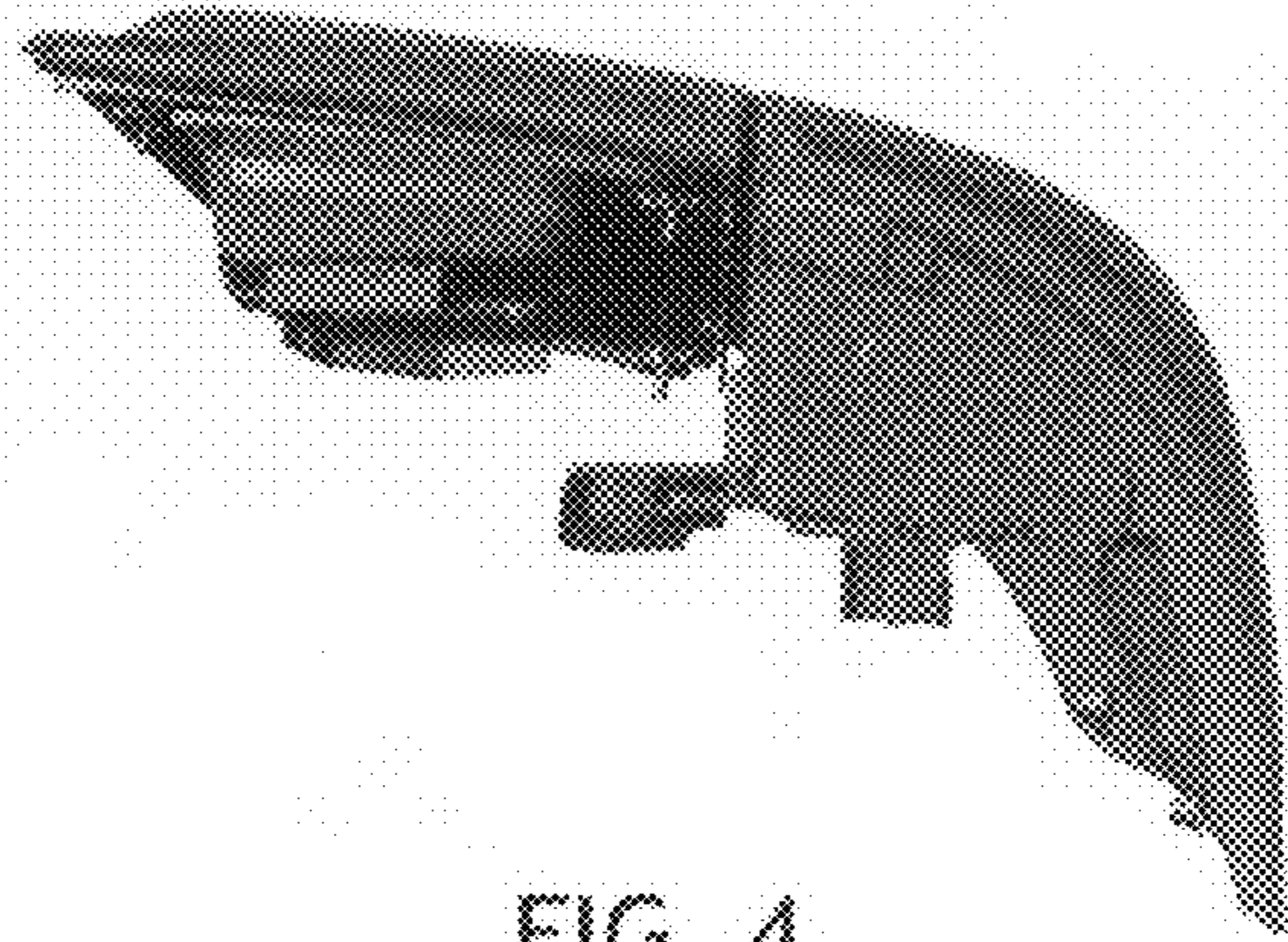


FIG. 4

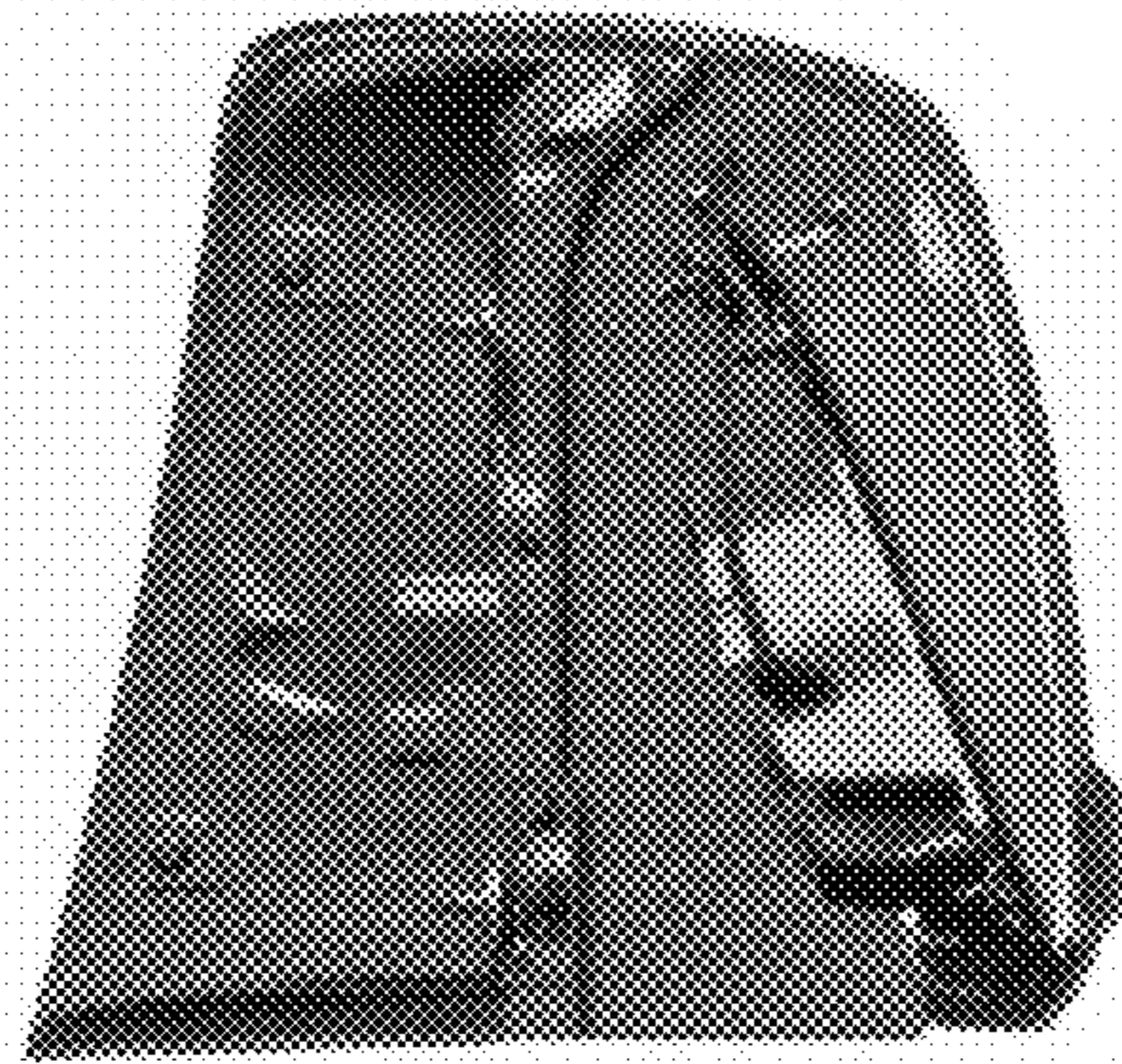


FIG. 5

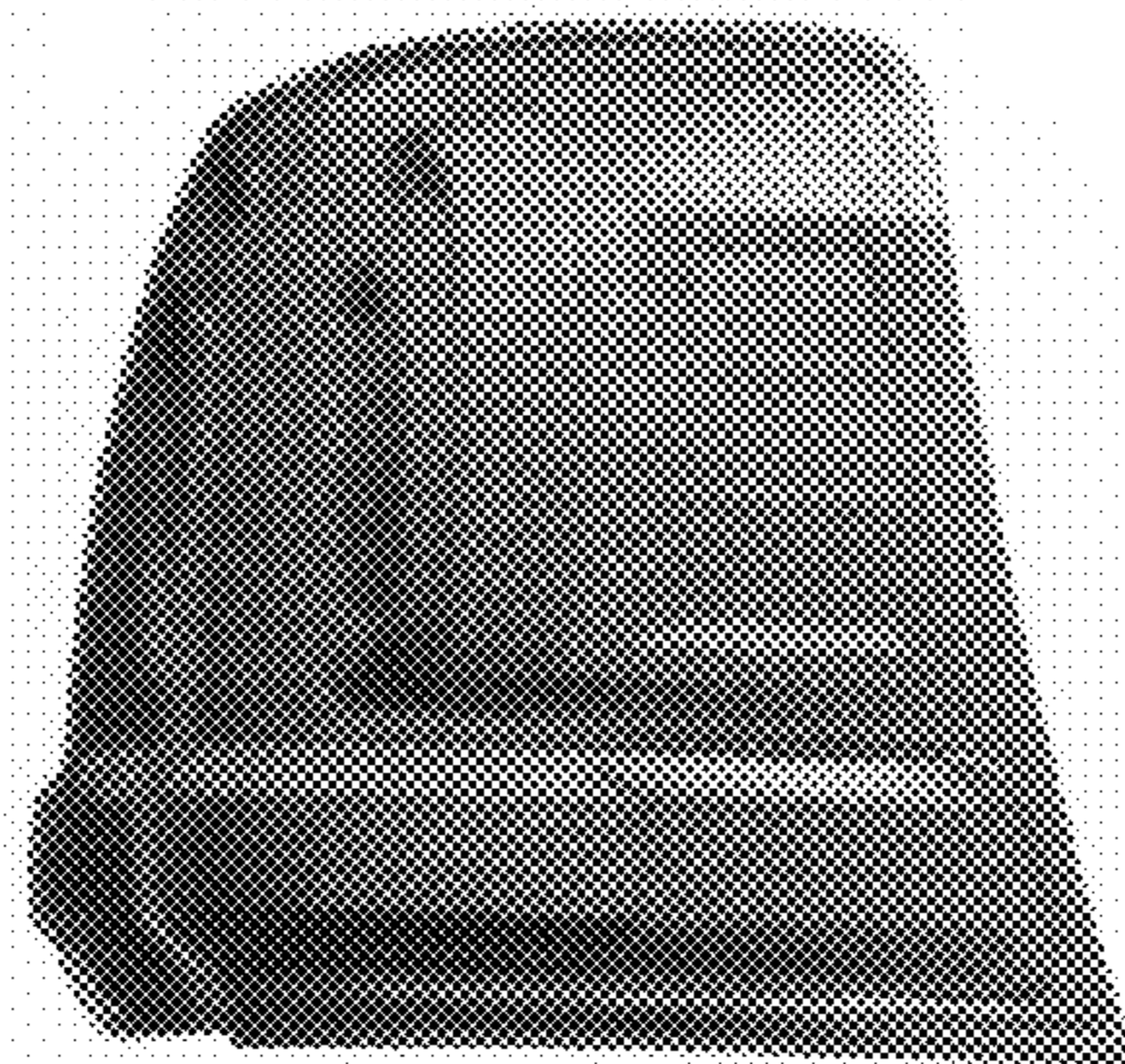


FIG. 6