

US00D573278S

(12) **United States Design Patent**
Sowa et al.

(10) **Patent No.:** **US D573,278 S**
(45) **Date of Patent:** **** Jul. 15, 2008**

(54) **FRONT COMBINATION LAMP FOR AN
AUTOMOBILE**

Mitsubishi, Pajero, Brochure for Mitsubishi Pajero io, 2004,
Mitsubishi Jidosha Kabushiki Kaisha.

(75) Inventors: **Takeo Sowa**, Aichi-ken (JP); **Kazumi
Kowaki**, Nisshin (JP)

* cited by examiner

(73) Assignee: **Toyota Jidosha Kabushiki Kaisha** (JP)

Primary Examiner—Marcus A. Jackson

(**) Term: **14 Years**

(74) *Attorney, Agent, or Firm*—SAIDMAN DesignLaw
Group

(21) Appl. No.: **29/285,300**

(57) **CLAIM**

(22) Filed: **Mar. 26, 2007**

The ornamental design for a front combination lamp for an
automobile, as shown.

(51) **LOC (8) Cl.** **26-06**

(52) **U.S. Cl.** **D26/28**

(58) **Field of Classification Search** D26/28-36;
362/459-468, 475-478, 485-487

See application file for complete search history.

DESCRIPTION

(56) **References Cited**

FIG. 1 is a front perspective view of a front combination lamp
for an automobile showing our new design;
FIG. 2 is a front elevational view thereof;
FIG. 3 is a rear elevational view thereof;
FIG. 4 is a top plan view thereof;
FIG. 5 is a bottom plan view thereof;
FIG. 6 is a left side elevational view thereof; and,
FIG. 7 is a right side elevational view thereof.

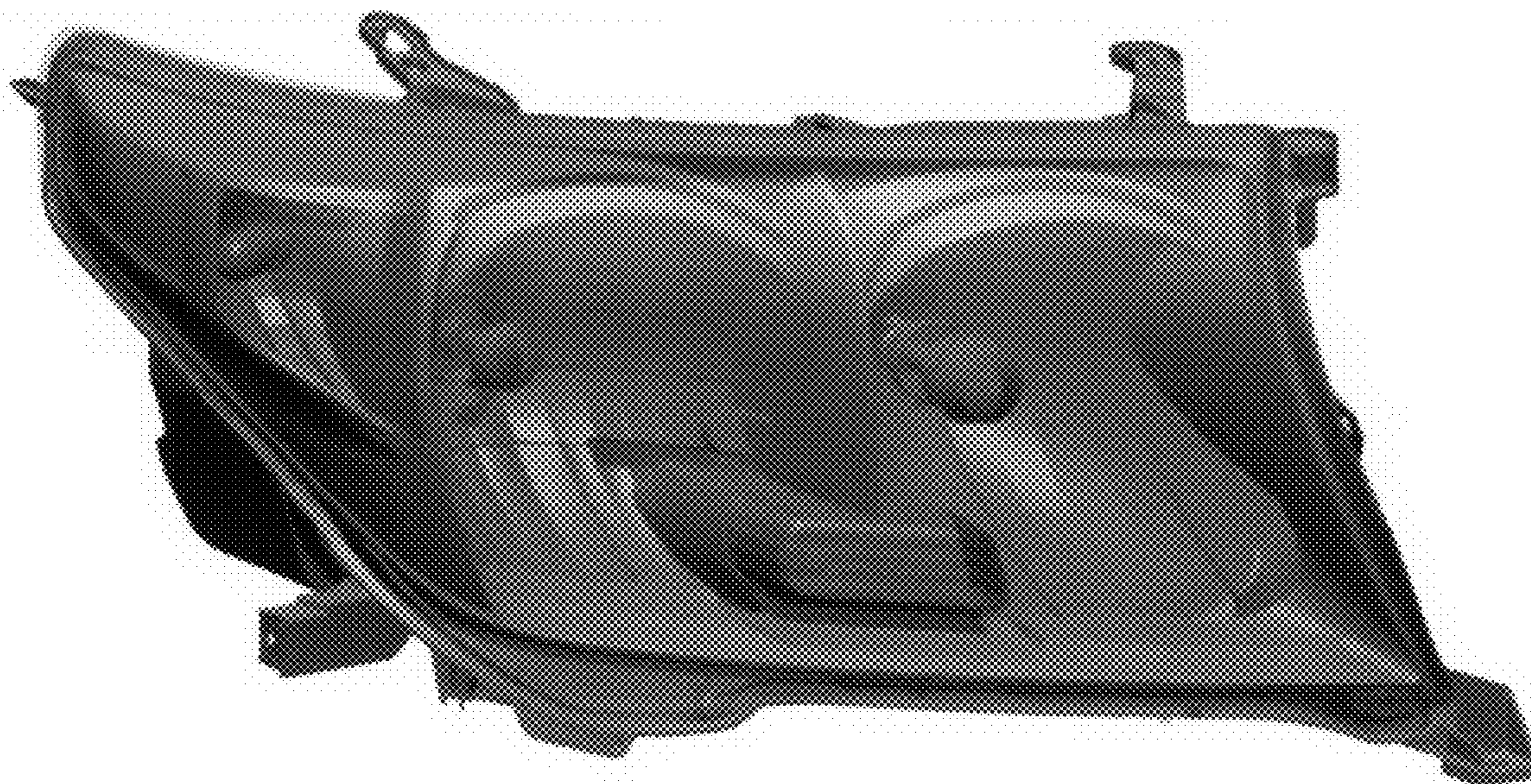
U.S. PATENT DOCUMENTS

D560,291 S *	1/2008	Koyama	D26/28
D560,832 S *	1/2008	Hsu	D26/28
D561,358 S *	2/2008	Tachibana	D26/28
D561,359 S *	2/2008	Hsu	D26/28
D563,576 S *	3/2008	Hanaoka	D26/28

OTHER PUBLICATIONS

Toyota, Land Cruiser 100, Brochure for Toyota Land Cruiser 100,
2004, Toyota Jidosha Kabushiki Kaisha.

1 Claim, 3 Drawing Sheets



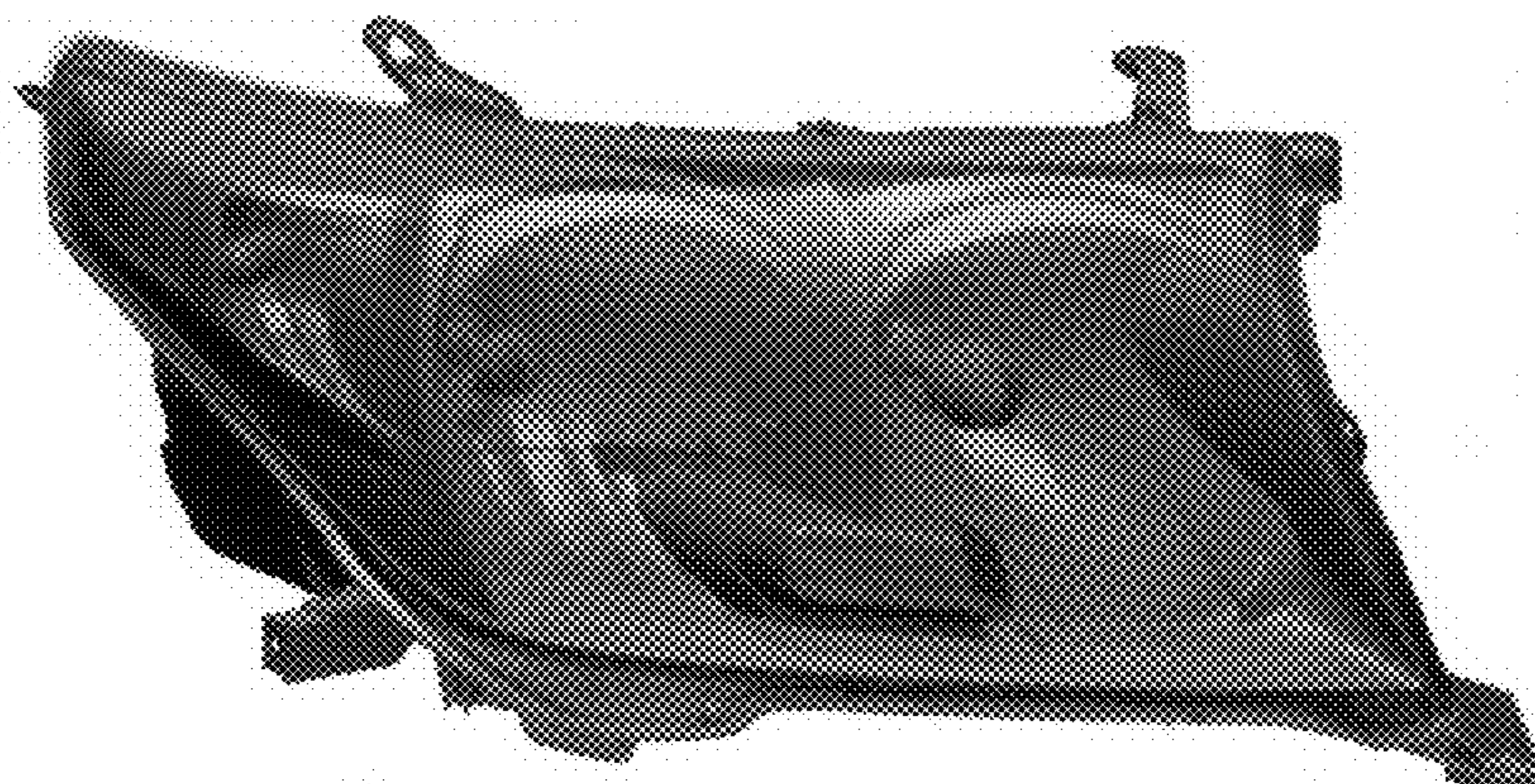


FIG. 1

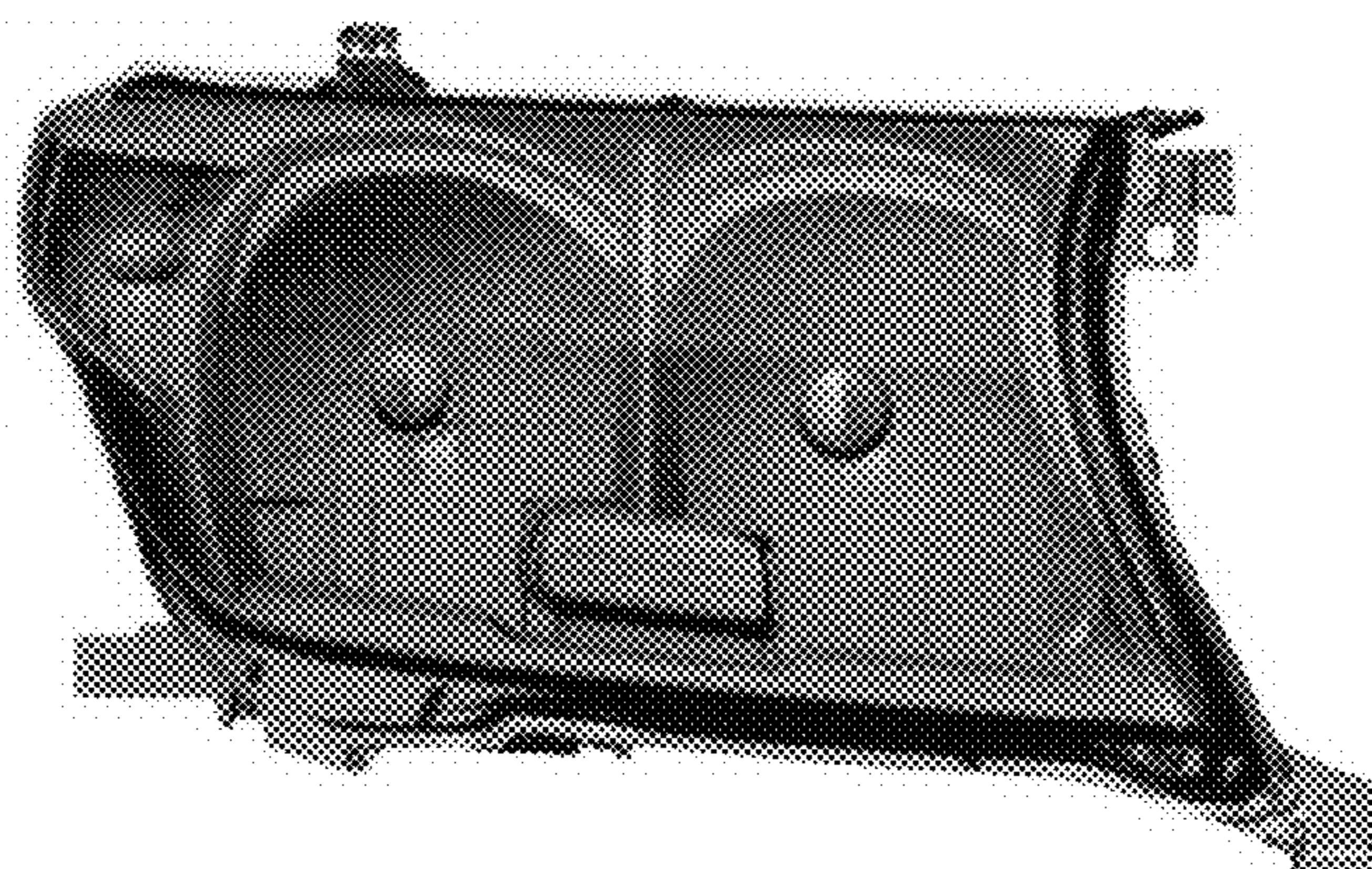


FIG. 2

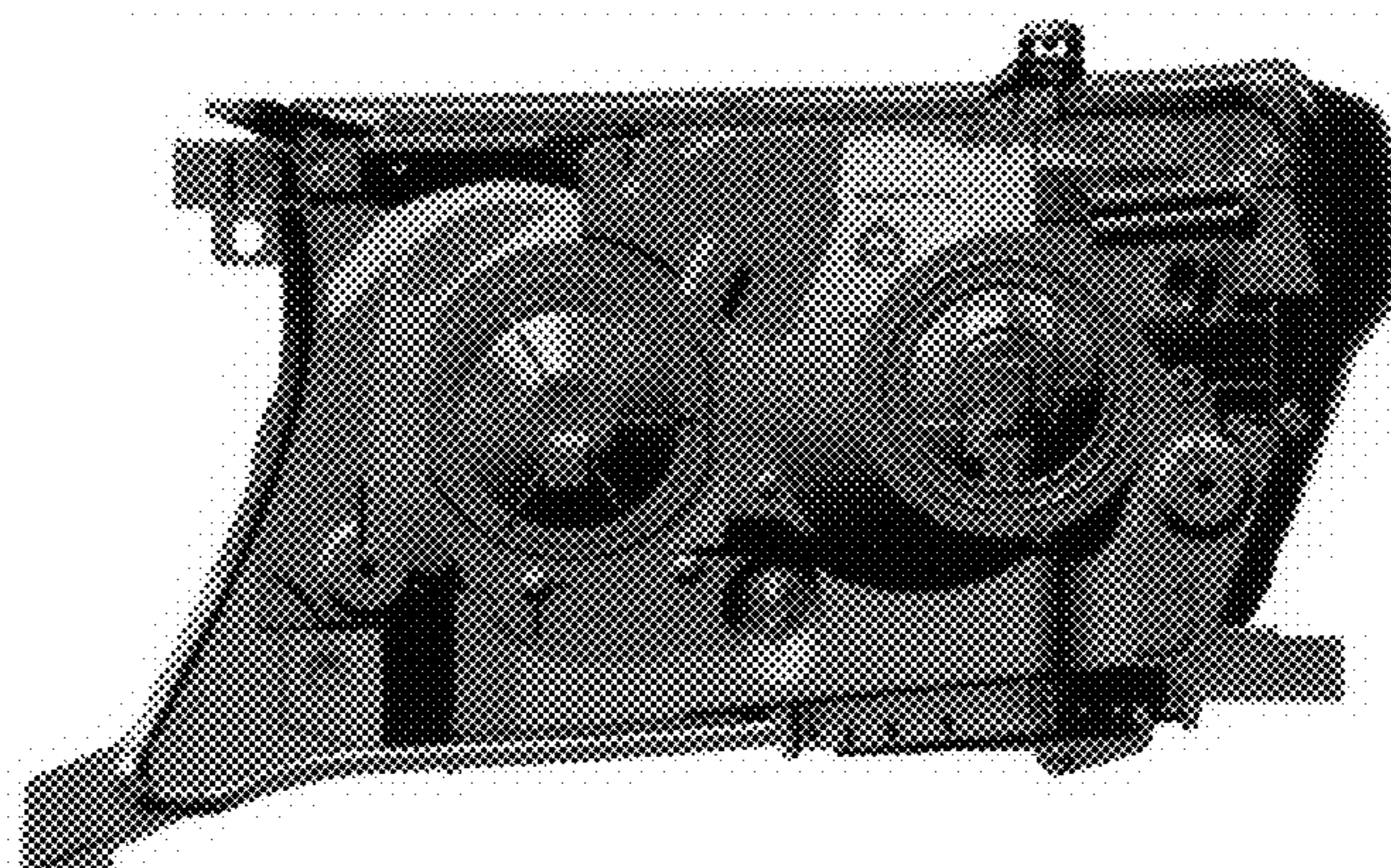


FIG. 3

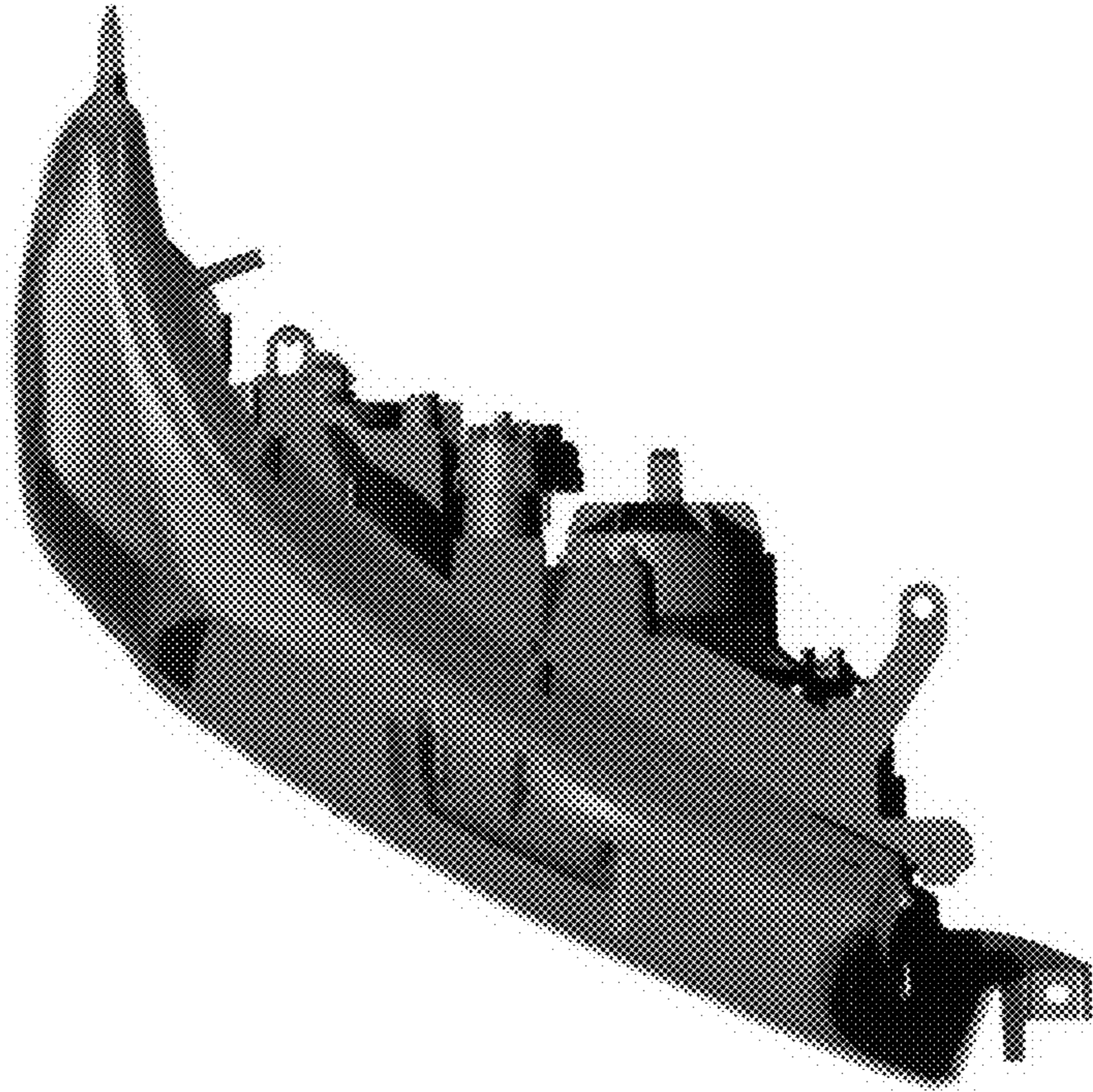


FIG. 4

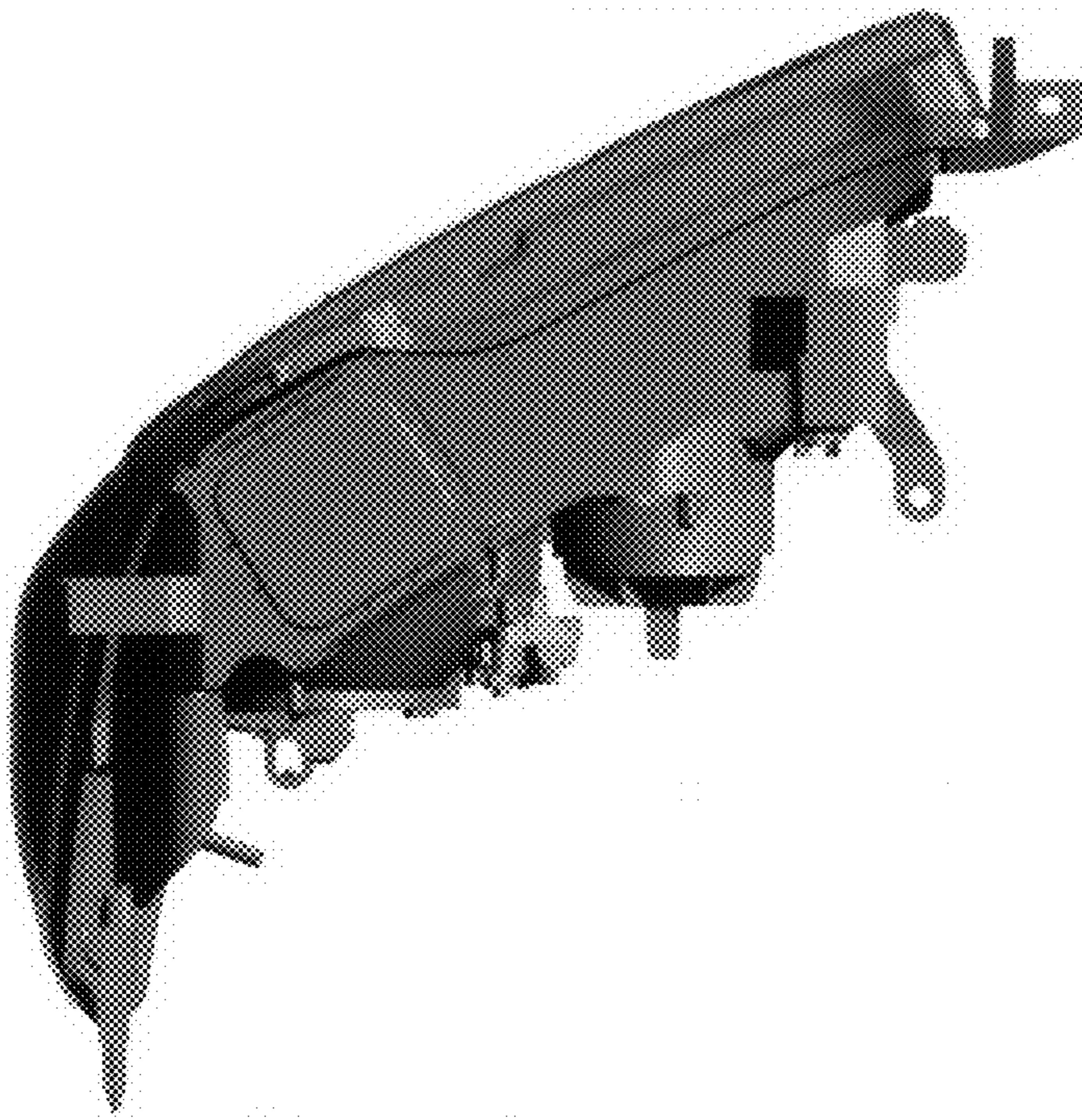


FIG. 5

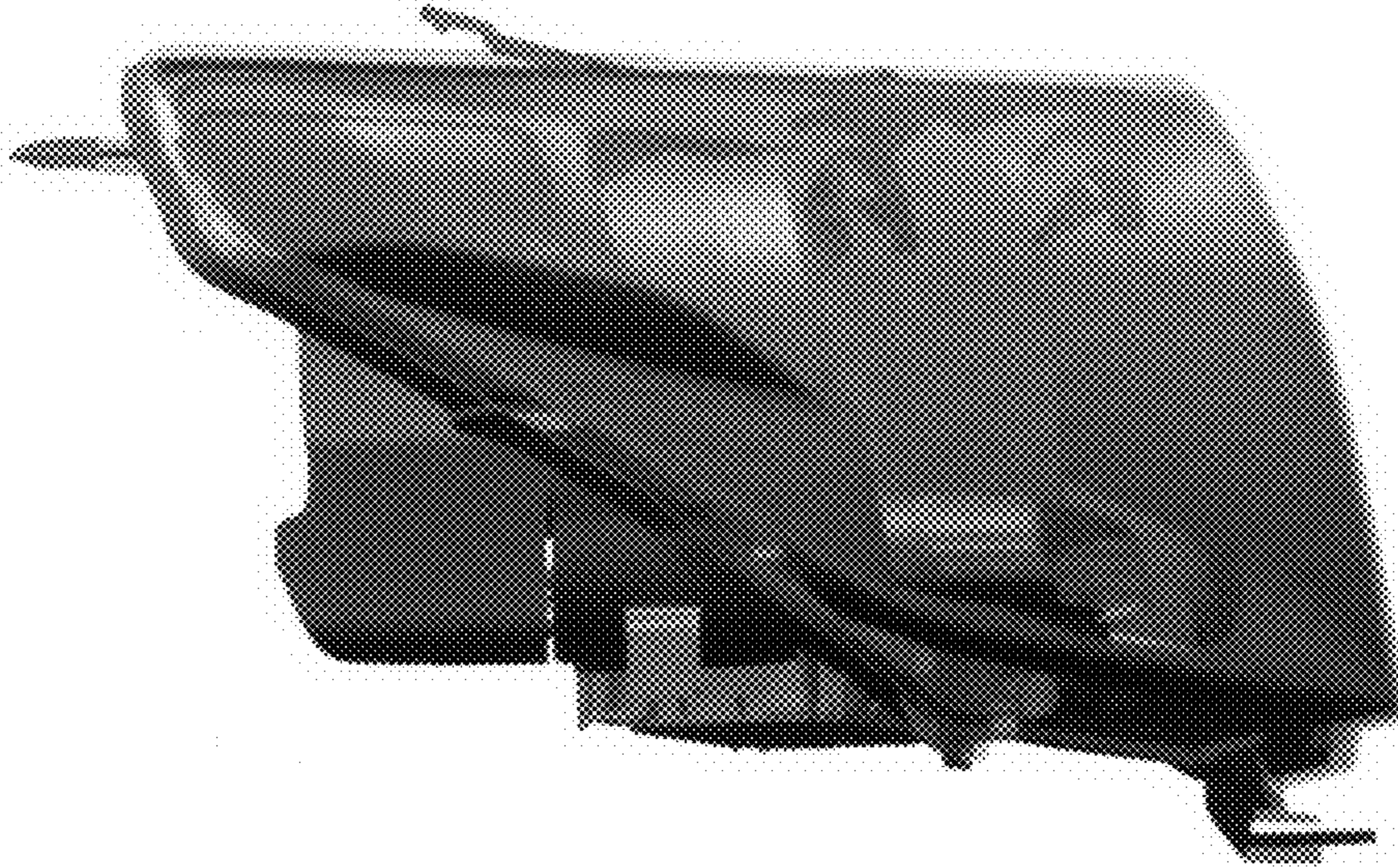


FIG. 6

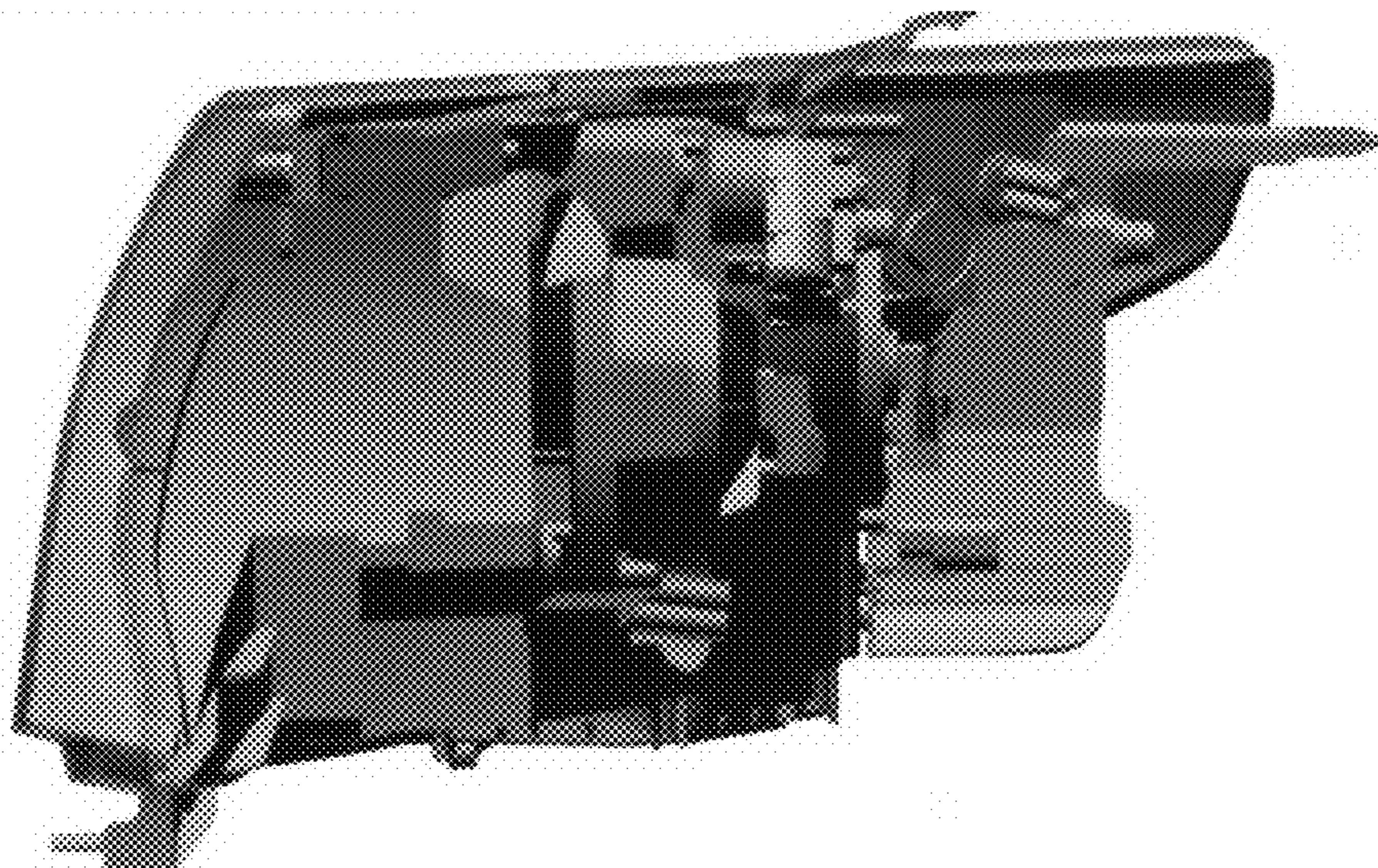


FIG. 7