



US00D573272S

(12) **United States Design Patent**  
**Handsaker**

(10) **Patent No.:** **US D573,272 S**  
(45) **Date of Patent:** **\*\* Jul. 15, 2008**

(54) **ROPE LIGHT**

(76) Inventor: **Jerrold L Handsaker**, 109 Progressive Ave., Roland, IA (US) 50236

(\*\*) Term: **14 Years**

(21) Appl. No.: **29/262,564**

(22) Filed: **Jul. 6, 2006**

(51) **LOC (8) Cl.** ..... **26-04**

(52) **U.S. Cl.** ..... **D26/25**

(58) **Field of Classification Search** ..... D26/24,  
D26/25, 26, 1, 2, 3, 67, 72, 74, 75, 76, 93,  
D26/105, 113, 80, 102, 104, 37, 85, 89; 362/84,  
362/121, 217, 223, 640, 641, 649, 650, 236,  
362/260, 309, 310, 311, 365, 219  
See application file for complete search history.

(56) **References Cited**

**U.S. PATENT DOCUMENTS**

D130,810 S *	12/1941	Baker	.....	D26/76
D252,955 S *	9/1979	Audesse et al.	.....	D26/2
D417,517 S *	12/1999	Seale	.....	D26/25
D457,664 S *	5/2002	Moriyama et al.	.....	D26/3
D532,143 S *	11/2006	Woertler	.....	D26/80
D532,544 S *	11/2006	Woertler	.....	D26/80
D532,919 S *	11/2006	Handsaker et al.	.....	D26/80

D548,373 S *	8/2007	Handsaker	.....	D26/24
2002/0118537 A1 *	8/2002	Segretto	.....	362/226
2003/0072155 A1 *	4/2003	Liu	.....	362/240
2004/0252503 A1 *	12/2004	Lin	.....	362/249
2006/0012989 A1 *	1/2006	Lee	.....	362/231
2007/0258238 A1 *	11/2007	Handsaker	.....	362/217

\* cited by examiner

*Primary Examiner*—Jennifer Rivard

*Assistant Examiner*—Angela J Lee

(74) *Attorney, Agent, or Firm*—Daniel A. Rosenberg; Briggs and Morgan, P.A.

(57) **CLAIM**

The ornamental design for a rope light, as shown and described.

**DESCRIPTION**

FIG. 1 is a top perspective view of the rope light.

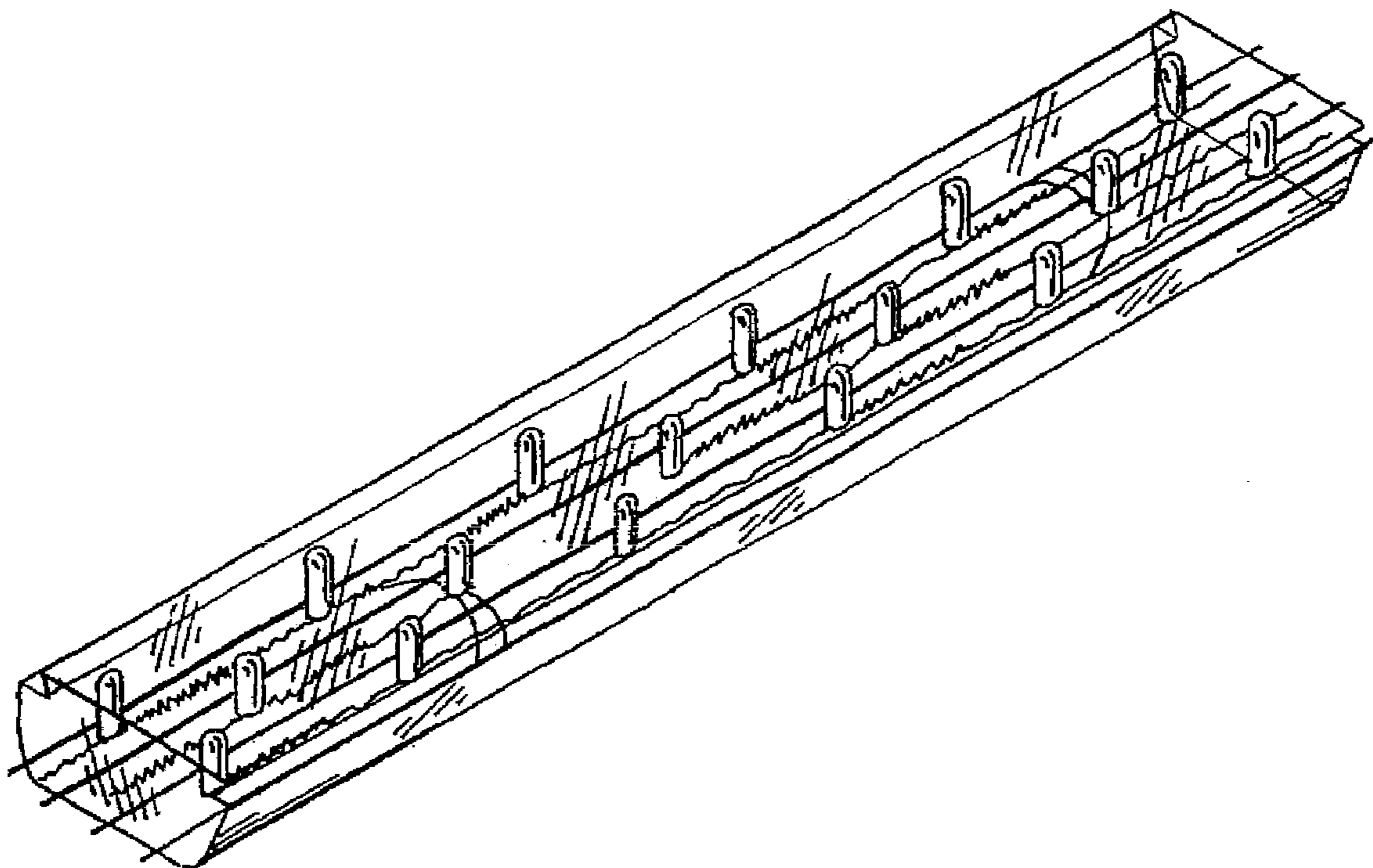
FIG. 2 is an end view of the rope light, opposite end identical thereto.

FIG. 3 is a side view of the rope light, opposite side identical thereto.

FIG. 4 is a top view of the rope light; and,

FIG. 5 is a bottom view of the rope light.

**1 Claim, 1 Drawing Sheet**



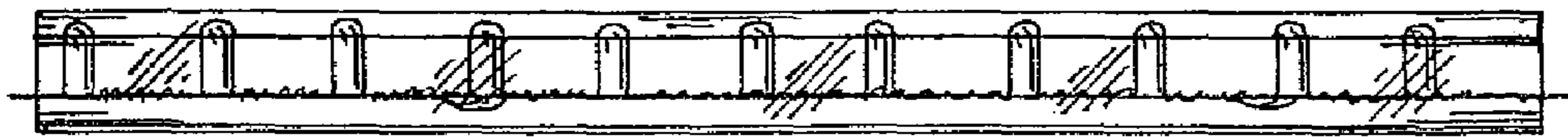
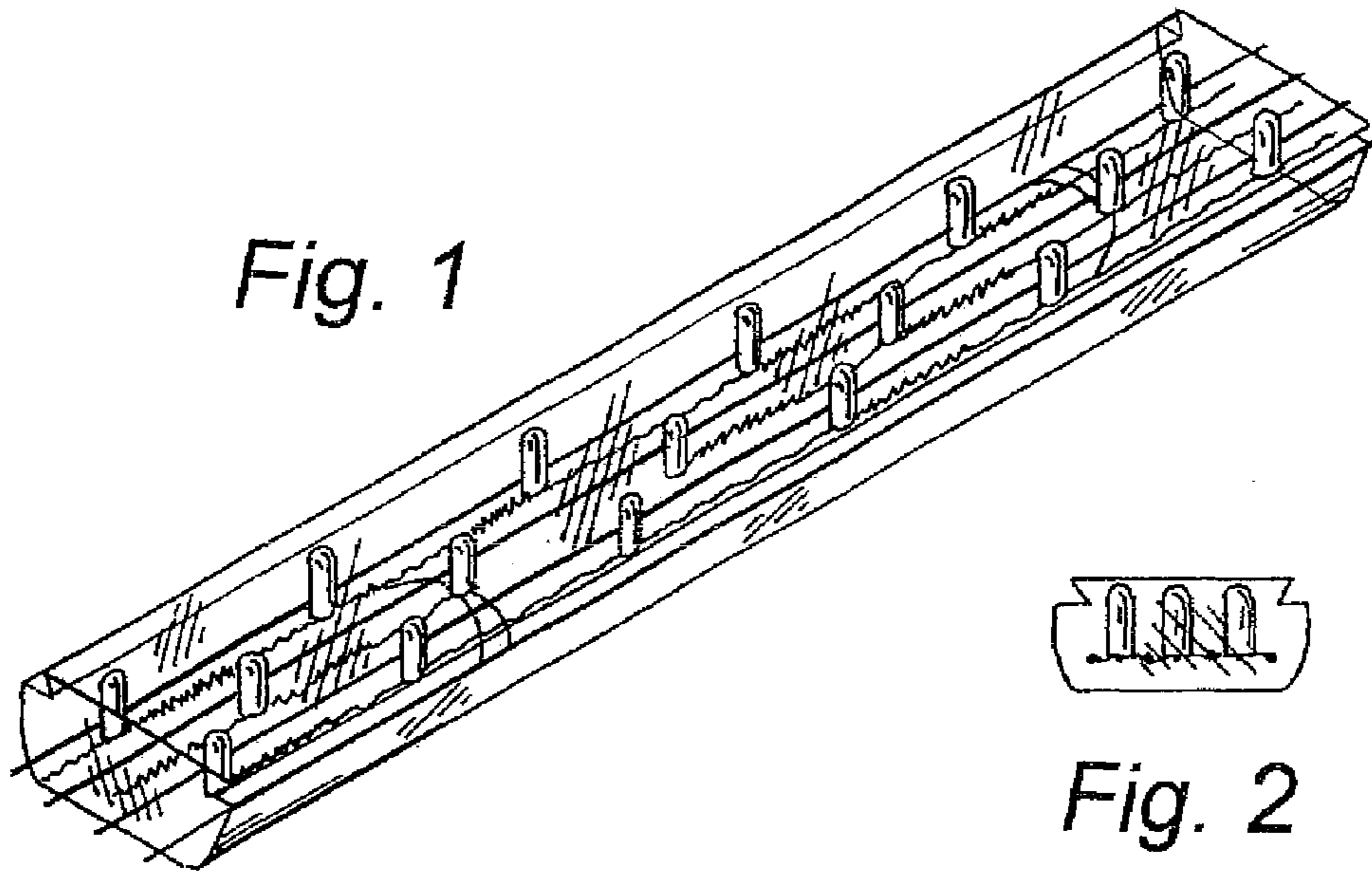


Fig. 3

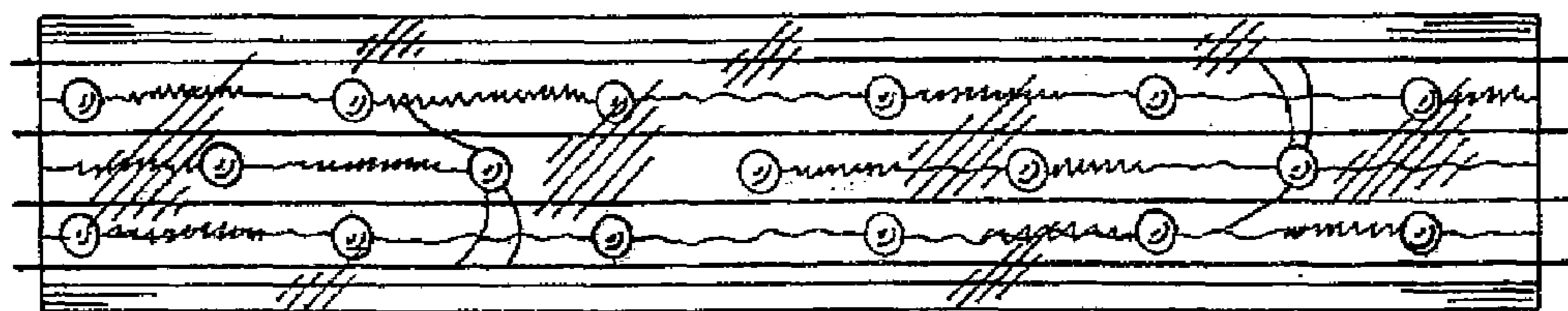


Fig. 4

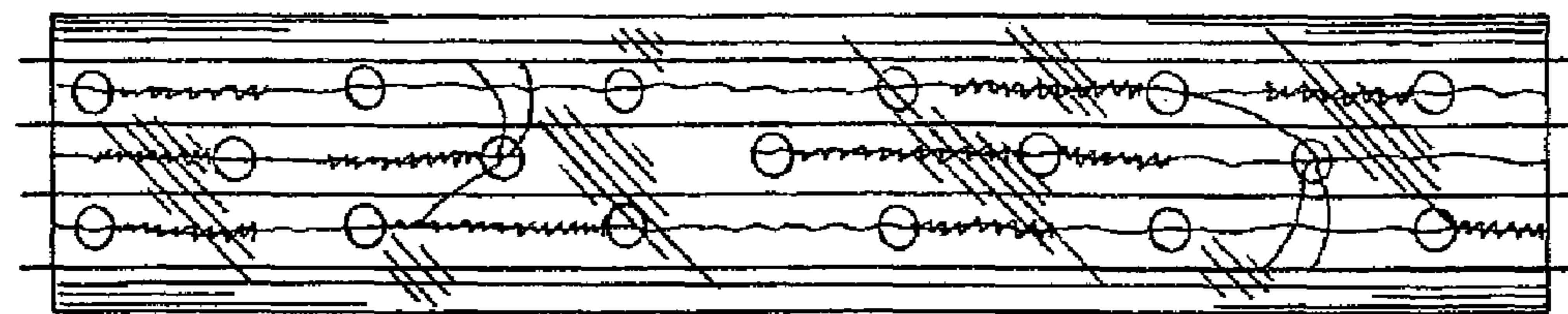


Fig. 5