



US00D573271S

(12) **United States Design Patent**
Fernandes

(10) **Patent No.:** **US D573,271 S**
(45) **Date of Patent:** **** Jul. 15, 2008**

(54) **COUNTER TILE**

(75) Inventor: **Gratian Fernandes**, North Vancouver
(CA)

(73) Assignee: **Buildirect.com Technologies Inc.**,
Vancouver, British Columbia

(**) Term: **14 Years**

(21) Appl. No.: **29/206,440**

(22) Filed: **Jun. 1, 2004**

(51) **LOC (8) Cl.** **25-01**

(52) **U.S. Cl.** **D25/138**

(58) **Field of Classification Search** D25/138-144;
52/533, 524, 536, 782.2, 518, 384-387, 389,
52/390, 578, 581, 583-584, 553; 428/40.1,
428/41, 44

See application file for complete search history.

(56) **References Cited**

U.S. PATENT DOCUMENTS

2,904,856 A	9/1959	Robinson	52/255
3,953,268 A	4/1976	Dillon	156/71
D309,192 S	7/1990	Colani	D25/138
D318,739 S	7/1991	Ryan	D25/138
5,073,430 A	12/1991	Aidan	428/43
5,358,993 A	10/1994	Timm et al.	524/445
5,362,560 A *	11/1994	Ehrhart et al.	52/386
5,373,835 A	12/1994	Pourtan	125/23.01
5,470,140 A	11/1995	Schagunn	312/140.3
5,494,548 A	2/1996	Baca	156/265

D370,539 S *	6/1996	Treat	D25/140
5,816,005 A	10/1998	Han	52/391
6,082,723 A	7/2000	Matthews	269/289
6,258,190 B1	7/2001	Sciarrino et al.	156/71
6,395,116 B1	5/2002	Mathis, Sr.	156/71
6,442,905 B1	9/2002	Weinstein	52/34
D481,469 S	10/2003	Crawley et al.	D25/160
7,141,285 B2 *	11/2006	Bilodeau et al.	428/40.1

* cited by examiner

Primary Examiner—Catherine R Oliver

(74) *Attorney, Agent, or Firm*—Fasken Martineau DuMoulin
LLP

(57) **CLAIM**

The ornamental design for a counter tile, as shown.

DESCRIPTION

FIG. 1 is a perspective view of a counter tile.

FIG. 2 is a front view thereof;

FIG. 3 is a side view thereof;

FIG. 4 is a top view thereof;

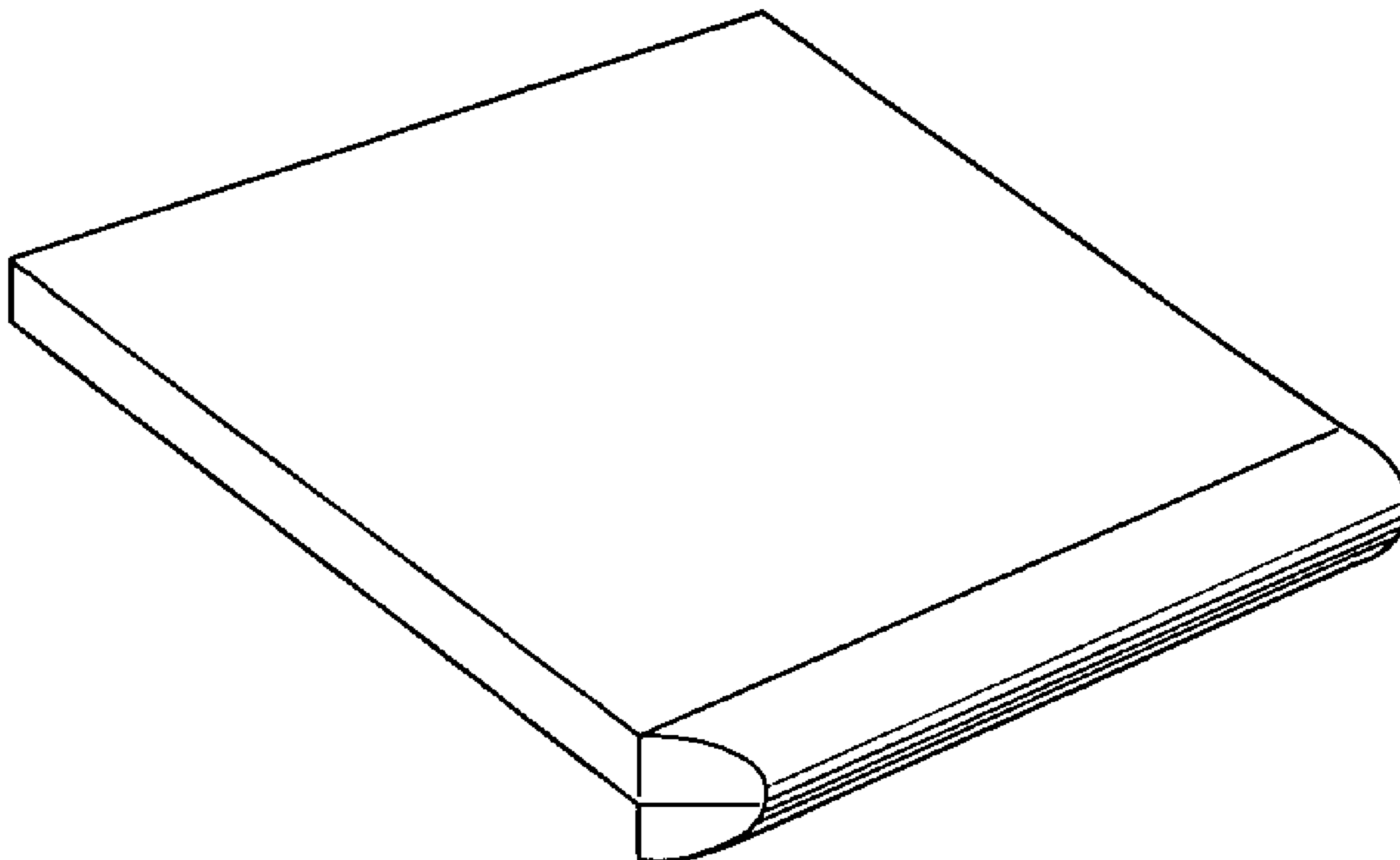
FIG. 5 is a perspective view of an alternate embodiment thereof;

FIG. 6 is a side view of an alternate embodiment thereof;

FIG. 7 is a front view of an alternate embodiment thereof;
and,

FIG. 8 is a top view of an alternate embodiment thereof.

1 Claim, 2 Drawing Sheets



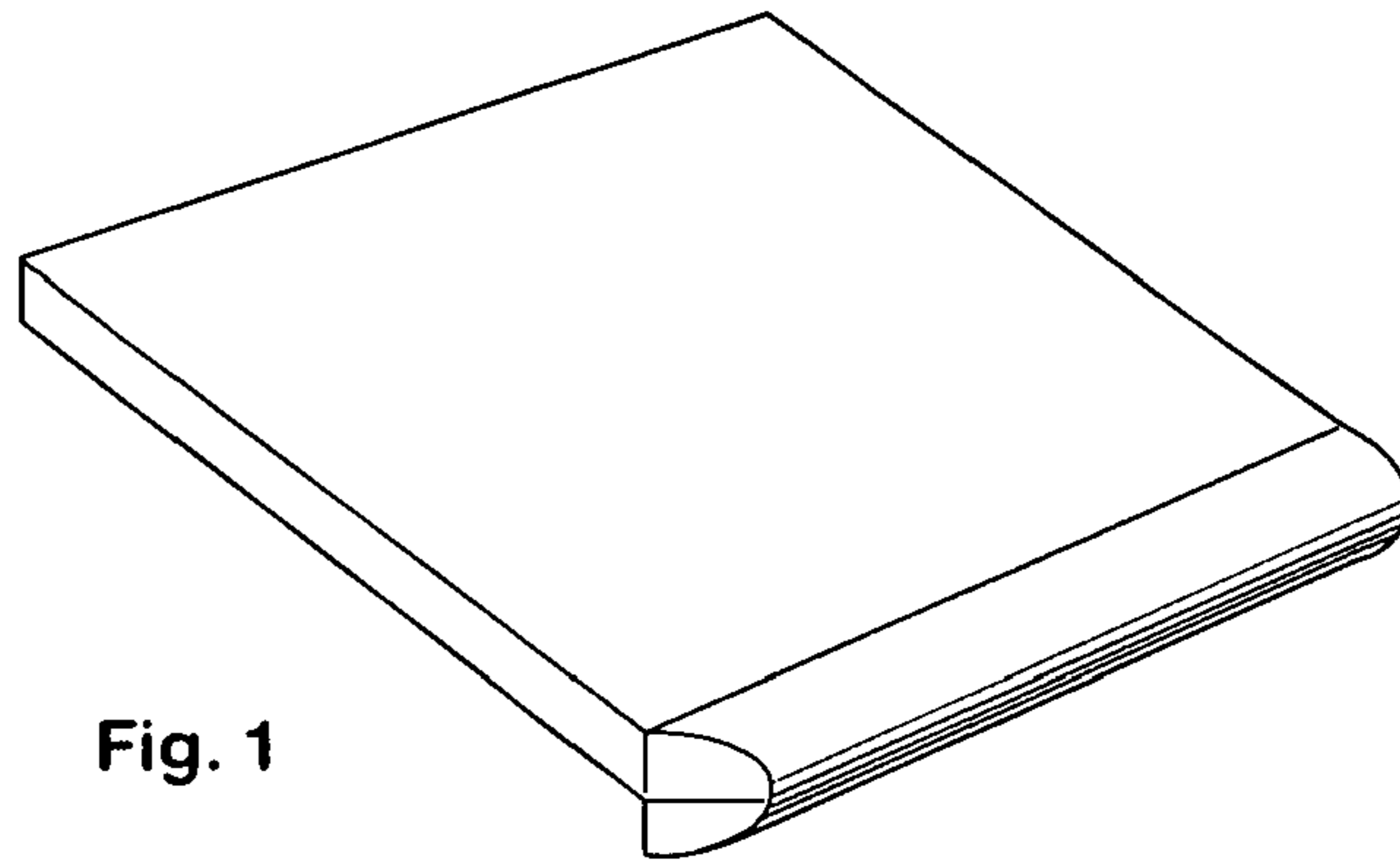


Fig. 1

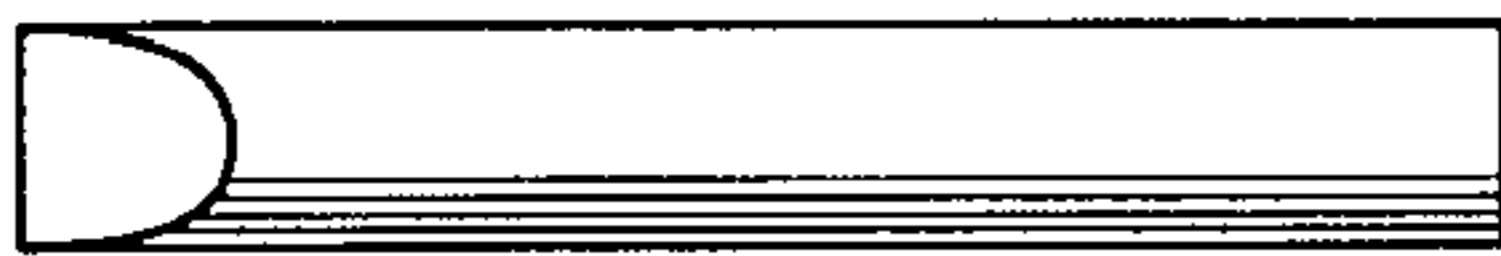


Fig. 2

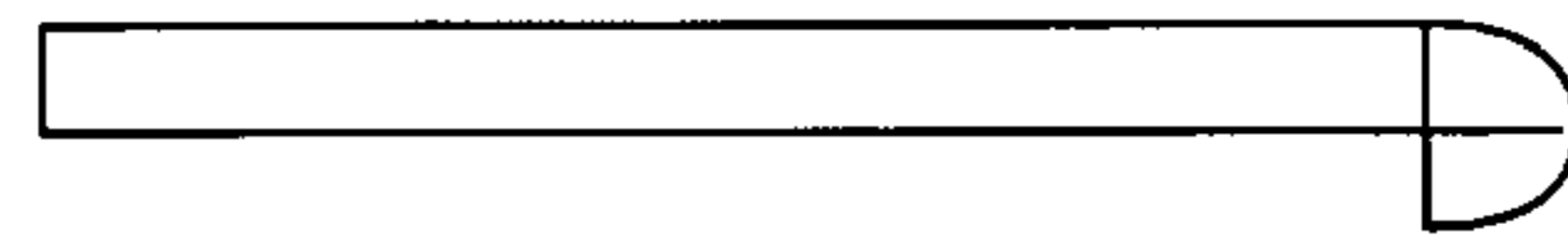


Fig. 3

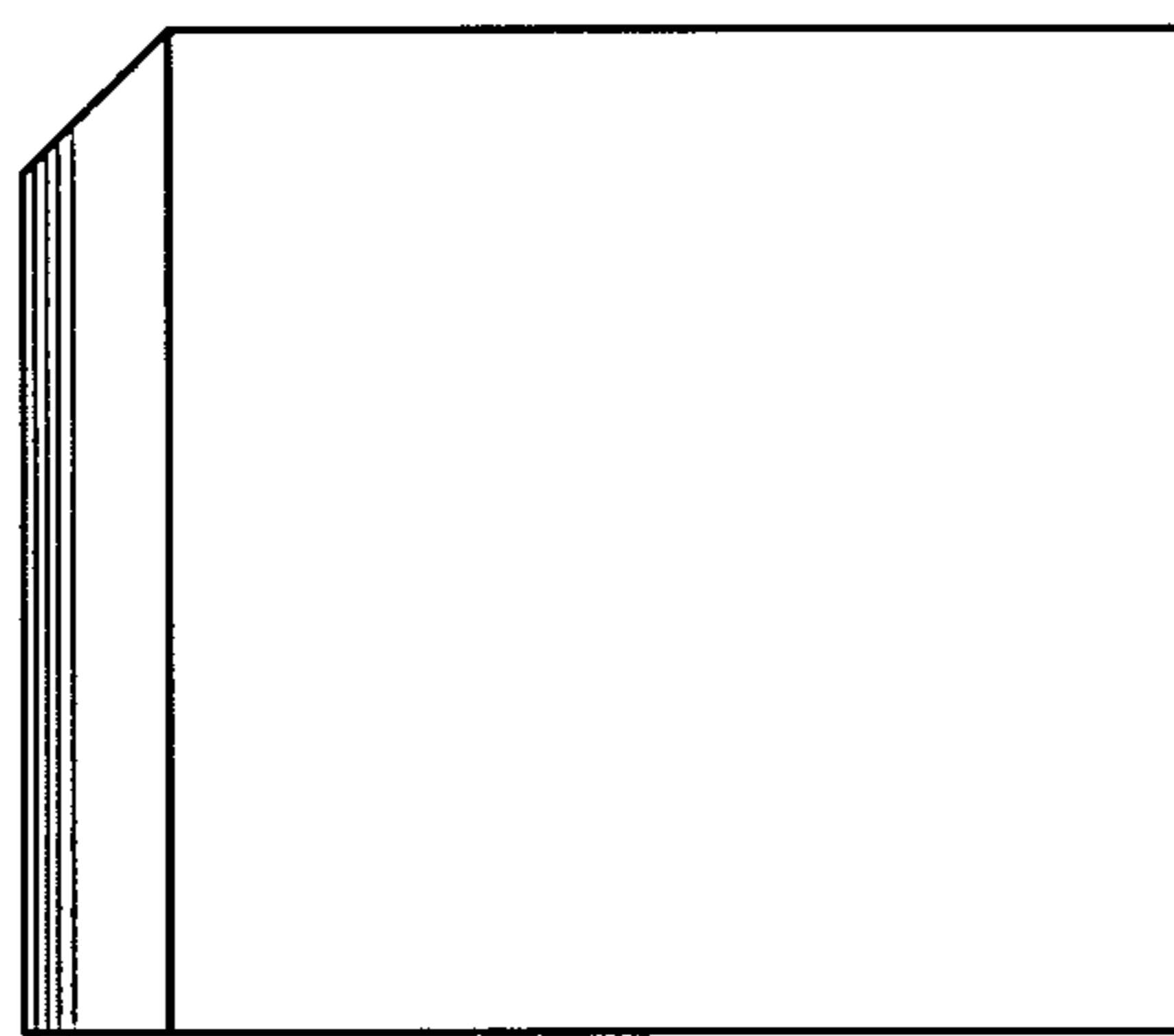


Fig. 4

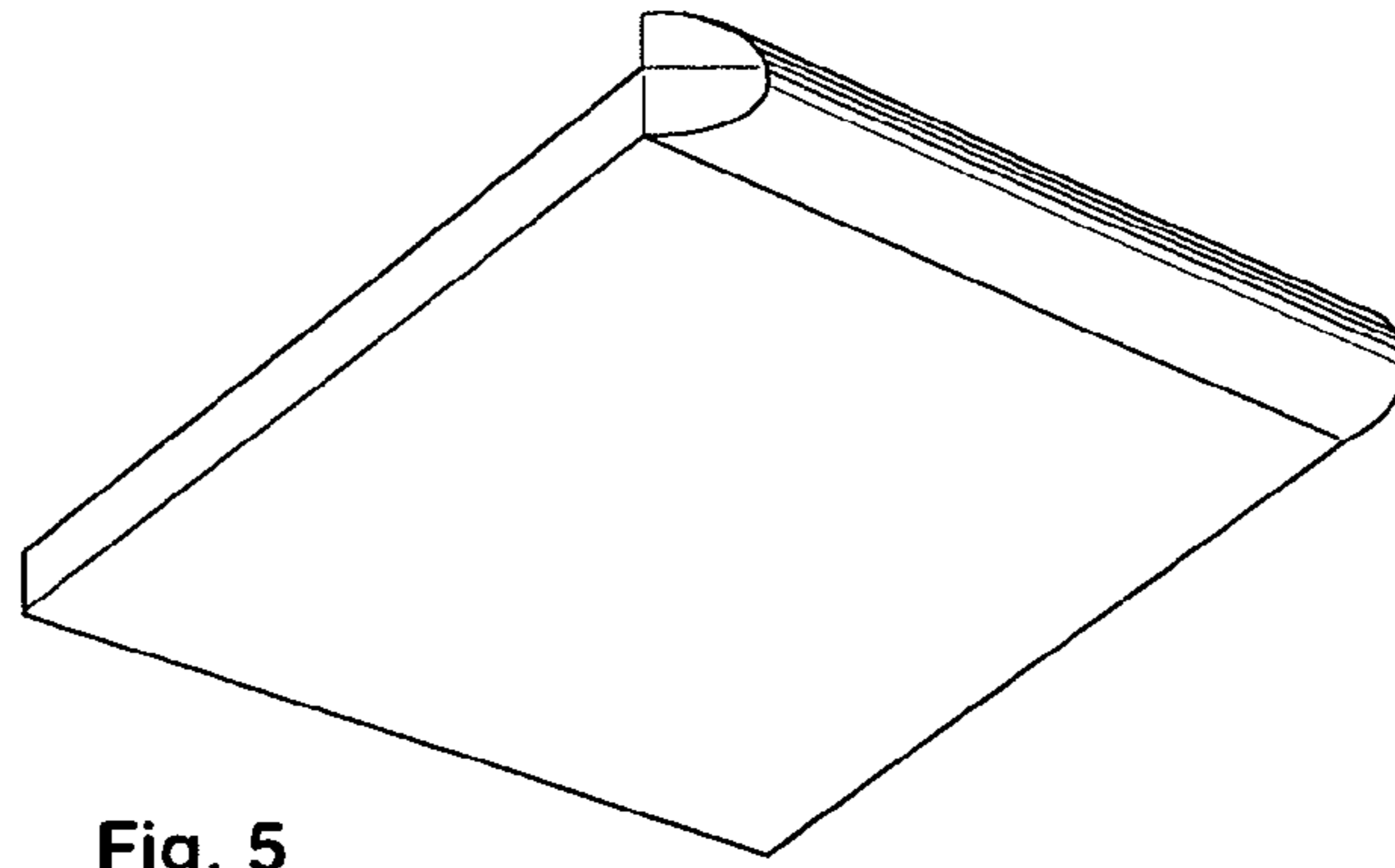


Fig. 5

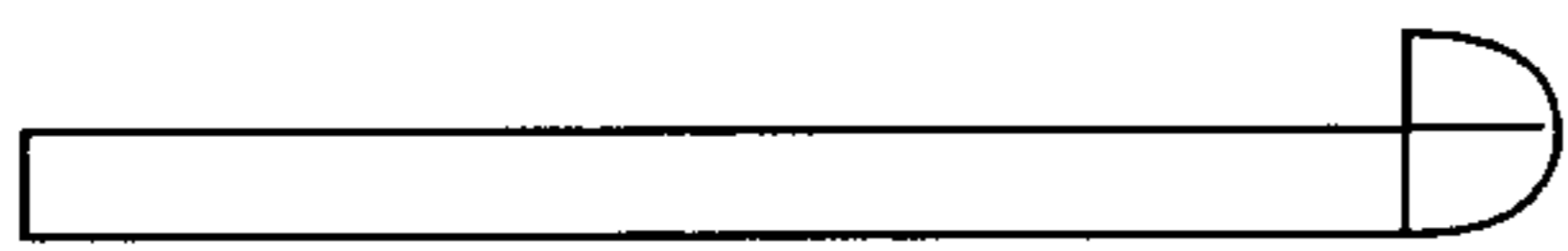


Fig. 6

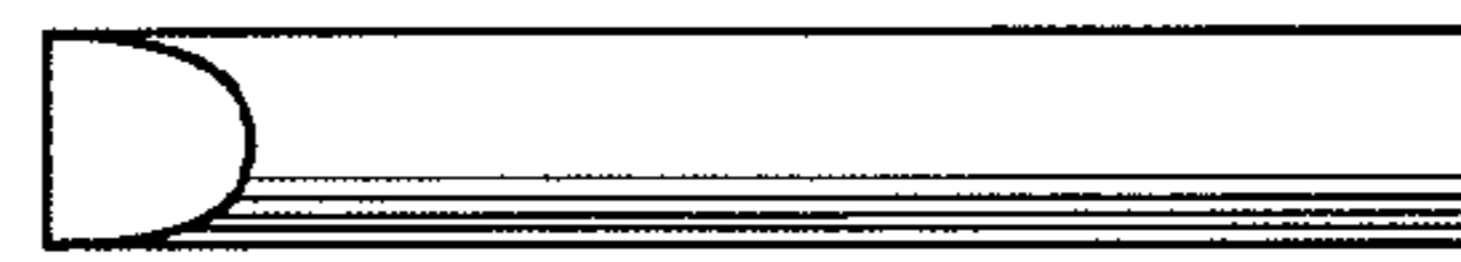


Fig. 7

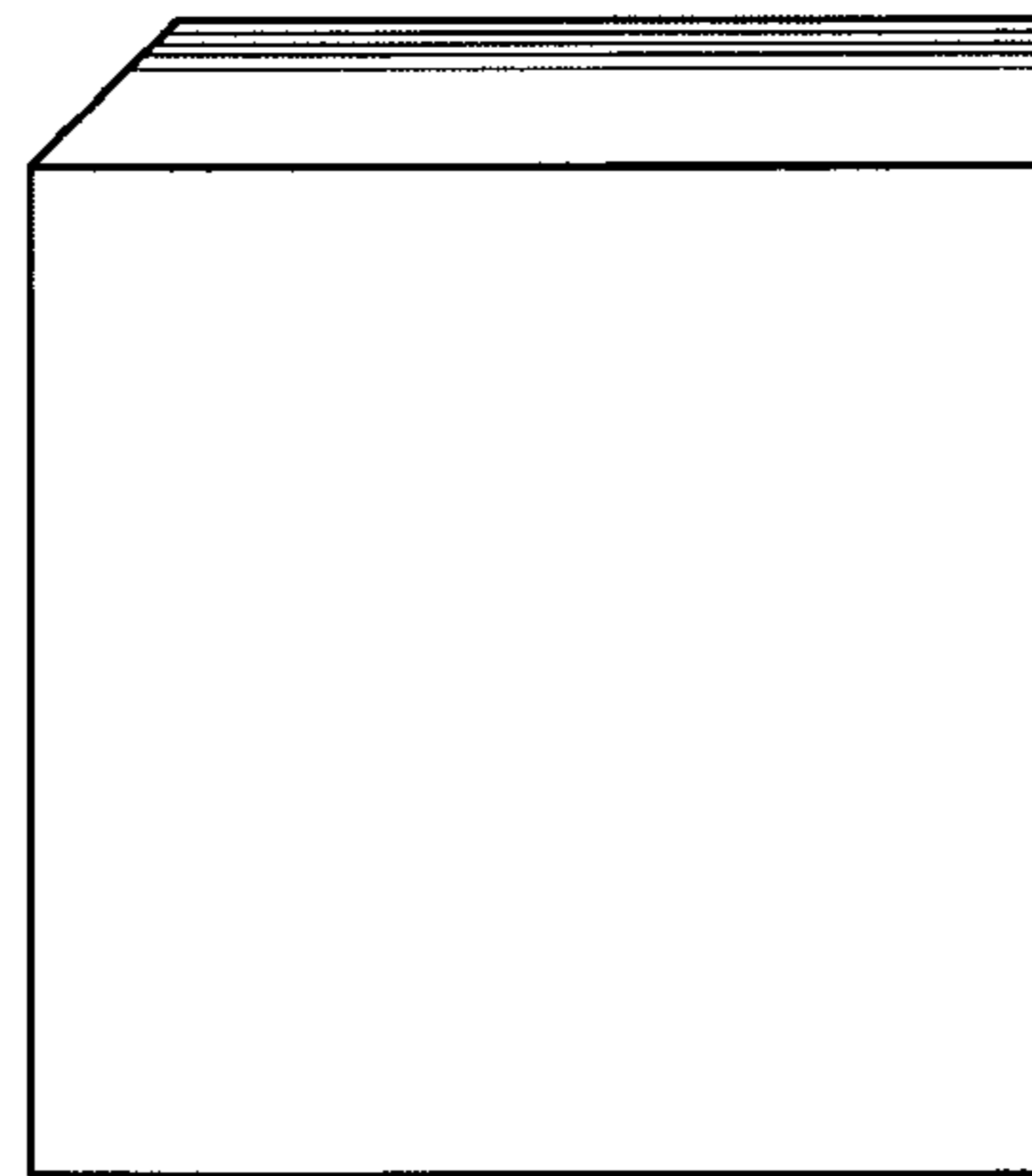


Fig. 8