



US00D573260S

(12) **United States Design Patent**  
**Dunshee**

(10) **Patent No.:** **US D573,260 S**

(45) **Date of Patent:** **\*\* Jul. 15, 2008**

(54) **BANDAGE**

(75) Inventor: **Wayne K. Dunshee**, Maplewood, MN (US)

(73) Assignee: **3M Innovative Properties Company**, St. Paul, MN (US)

(\*\*) Term: **14 Years**

(21) Appl. No.: **29/261,304**

(22) Filed: **Jun. 12, 2006**

(51) **LOC (8) Cl.** ..... **24-04**

(52) **U.S. Cl.** ..... **D24/189**

(58) **Field of Classification Search** ..... D24/188-189;  
602/8, 41-56

See application file for complete search history.

(56) **References Cited**

**U.S. PATENT DOCUMENTS**

1,949,271	A	2/1934	Duhamel
2,172,455	A	9/1939	Samuel
2,402,982	A	7/1946	Steenbergen
2,432,541	A	12/1947	Peck
2,529,060	A	11/1950	Trillich

(Continued)

**FOREIGN PATENT DOCUMENTS**

EP 0 051 935 5/1982

(Continued)

**OTHER PUBLICATIONS**

Band-Aid®, Water Block Plus® Bandage, by Johnson & Johnson, believed to have been on sale more than one year prior to the filing date of the instant application.

(Continued)

*Primary Examiner*—Louis S Zarfaz  
*Assistant Examiner*—Michelle E Wilson

(57) **CLAIM**

The ornamental design for a bandage, as shown and described.

**DESCRIPTION**

FIG. 1 is a perspective view of a first embodiment of a bandage showing my new design;

FIG. 2 is a bottom view thereof;

FIG. 3 is a side view thereof, the other side being a mirror image;

FIG. 4 is an end view thereof, the other side being a mirror image;

FIG. 5 is a top view thereof;

FIG. 6 is a perspective view of a second embodiment of a bandage showing my new design;

FIG. 7 is a bottom view of the bandage of FIG. 6;

FIG. 8 is a side view of the bandage of FIG. 6, the other side being a mirror image;

FIG. 9 is an end view of the bandage of FIG. 6, the other end view being a mirror image;

FIG. 10 is a top view of the bandage of FIG. 6;

FIG. 11 is a perspective view of a third embodiment of a bandage showing my new design;

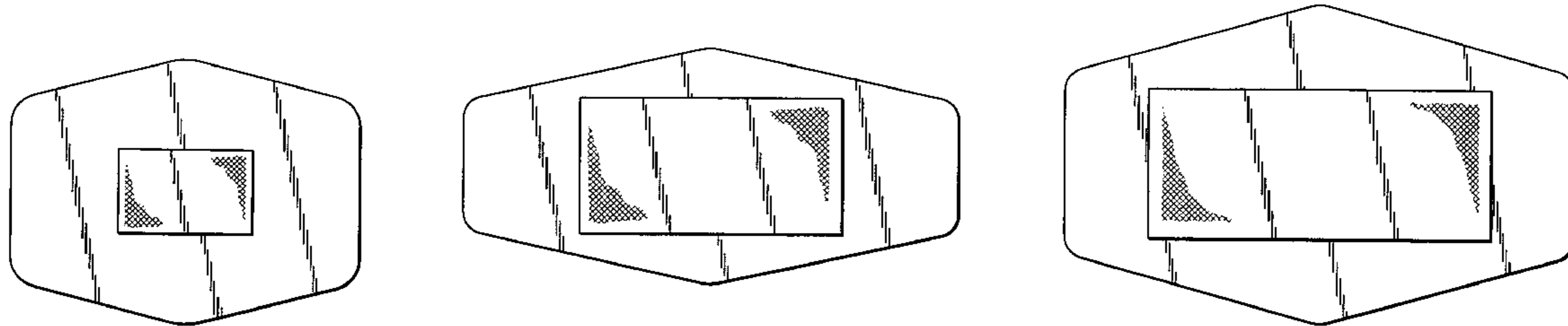
FIG. 12 is a bottom view of the bandage of FIG. 11;

FIG. 13 is a side view of the bandage of FIG. 11, the other side being a mirror image;

FIG. 14 is an end view of the bandage of FIG. 11, the other end being a mirror image; and,

FIG. 15 is a top view of the bandage of FIG. 11.

**1 Claim, 3 Drawing Sheets**



# US D573,260 S

Page 2

U.S. PATENT DOCUMENTS					
			4,733,659 A	3/1988	Edenbaum et al.
			4,737,410 A	4/1988	Kantner
2,532,011 A	11/1950	Dahlquist et al.	4,738,257 A	4/1988	Meyer et al.
2,627,341 A	2/1953	Morgan	4,742,826 A	5/1988	McLorg
2,676,702 A	4/1954	Whitefoot, Jr.	4,743,232 A	5/1988	Kruger
2,703,083 A	3/1955	Gross	4,744,355 A	5/1988	Faasse, Jr.
2,721,550 A	10/1955	Banff	4,753,232 A	6/1988	Ward
2,734,503 A	2/1956	Doyle	4,773,409 A	9/1988	Cilento et al.
2,752,038 A	6/1956	Abbott	4,781,293 A	11/1988	Johns
2,806,593 A	9/1957	Abbott	4,787,380 A	11/1988	Scott
2,823,673 A	2/1958	Schladermundt et al.	4,832,008 A	5/1989	Gilman
2,836,178 A	5/1958	Barr	4,884,563 A	12/1989	Sessions
2,840,080 A	6/1958	Clark	4,901,714 A	2/1990	Jensen
2,880,863 A	4/1959	Stanton	4,913,138 A	4/1990	Yoshida et al.
2,889,039 A	6/1959	Schladermundt et al.	4,915,227 A	4/1990	Johns
2,924,331 A	2/1960	Hoey	4,915,228 A	4/1990	Johns
2,927,689 A	3/1960	Look, Jr.	4,917,112 A	4/1990	Kalt
2,946,435 A	7/1960	Schladermundt et al.	4,917,928 A	4/1990	Heinecke
RE24,906 E	12/1960	Ulrich	4,917,929 A	4/1990	Heinecke
2,969,144 A	1/1961	Zackheim	RE33,353 E	9/1990	Heinecke
2,969,145 A	1/1961	Hannauer, Jr.	5,018,516 A	5/1991	Gilman
2,973,859 A	3/1961	Schladermundt et al.	5,035,687 A	7/1991	Sandbank
3,017,990 A	1/1962	Singerman	RE33,727 E	10/1991	Sims
3,018,881 A	1/1962	Wall	5,052,381 A	10/1991	Gilbert et al.
3,020,186 A	2/1962	Lawrence	5,061,258 A	10/1991	Martz
3,313,405 A	4/1967	Blackford	5,086,764 A	2/1992	Gilman
3,329,548 A	7/1967	Blatz	5,088,483 A	2/1992	Heinecke
3,389,827 A	6/1968	Abere et al.	5,099,832 A	3/1992	Ward
3,612,265 A	10/1971	Dickerson	5,106,383 A	4/1992	Mulder et al.
3,645,835 A	2/1972	Hodgson	5,108,815 A	4/1992	Adams et al.
3,678,933 A	7/1972	Moore et al.	5,123,900 A	6/1992	Wick
3,899,077 A	8/1975	Spiegelberg	5,153,040 A	10/1992	Faasse, Jr.
3,900,105 A	8/1975	Wolfelsperger	5,158,555 A	10/1992	Porzilli
4,094,316 A	6/1978	Nathanson	5,160,315 A	11/1992	Heinecke et al.
4,112,177 A	9/1978	Salditt et al.	5,230,350 A	7/1993	Fentress
4,112,213 A	9/1978	Waldman	5,264,281 A	11/1993	Arakawa et al.
4,126,130 A	11/1978	Cowden et al.	5,275,284 A	1/1994	Onotsky
4,161,176 A	7/1979	Harris, II et al.	5,277,954 A	1/1994	Carpenter et al.
4,182,449 A	1/1980	Kozlow	5,336,162 A	8/1994	Ota et al.
4,264,008 A	4/1981	Kozlow	5,344,415 A	9/1994	DeBusk et al.
4,265,234 A	5/1981	Schaar	5,370,924 A	12/1994	Kochinke
4,281,650 A	8/1981	Spiegelberg	5,413,567 A	5/1995	Barth et al.
4,304,333 A	12/1981	Kozlow, Sr.	5,480,717 A	1/1996	Kundel
4,310,509 A	1/1982	Berglund et al.	5,489,262 A	2/1996	Cartmell et al.
4,323,557 A	4/1982	Rosso et al.	5,520,629 A	5/1996	Heinecke et al.
4,328,057 A	5/1982	Gutow	5,531,855 A	7/1996	Heinecke et al.
4,366,814 A	1/1983	Riedel	5,630,430 A	5/1997	Schultz et al.
4,374,520 A	2/1983	Grossmann et al.	5,648,166 A	7/1997	Dunshee
4,413,621 A	11/1983	McCracken et al.	5,738,642 A	4/1998	Heinecke et al.
4,472,480 A	9/1984	Olson	D402,371 S	12/1998	Haynes et al.
4,485,809 A	12/1984	Dellas	D408,540 S *	4/1999	Dunshee et al. .... D24/189
4,499,896 A	2/1985	Heinecke	D408,541 S *	4/1999	Dunshee et al. .... D24/189
4,513,739 A	4/1985	Johns	D409,754 S *	5/1999	Dunshee et al. .... D24/189
4,524,095 A	6/1985	Gockel et al.	D410,087 S *	5/1999	Dunshee et al. .... D24/189
4,545,371 A	10/1985	Grossmann et al.	D410,546 S *	6/1999	Brogden et al. .... D24/189
4,549,063 A	10/1985	Ang et al.	5,910,557 A	6/1999	Audenaert et al.
4,549,653 A	10/1985	Lauritzen	5,939,339 A	8/1999	Delmore et al.
4,561,435 A	12/1985	McKnight et al.	6,018,092 A	1/2000	Dunshee
4,574,030 A	3/1986	Pilcher	D433,139 S	10/2000	Brogden et al.
4,587,146 A	5/1986	Anhäuser et al.	D452,324 S	12/2001	Brogden et al.
4,590,022 A	5/1986	Cloca et al.	6,372,342 B1	4/2002	Karaoglu
4,595,001 A	6/1986	Potter et al.	6,384,295 B2	5/2002	Wehde
4,595,011 A	6/1986	Phillips	6,441,092 B1	8/2002	Gieselmann
4,596,738 A	6/1986	Metcalfe et al.	D463,564 S *	9/2002	Siegwart et al. .... D24/189
4,598,004 A	7/1986	Heinecke	6,497,949 B1	12/2002	Hyde et al.
4,600,001 A	7/1986	Gilman	D495,419 S *	8/2004	Dunshee ..... D24/189
4,614,183 A	9/1986	McCracken et al.	6,894,204 B2	5/2005	Dunshee
4,664,106 A	5/1987	Snedeker	6,977,324 B2	12/2005	Serrano
4,669,458 A	6/1987	Abraham et al.	2003/0093024 A1	5/2003	Falleiros et al.
4,678,462 A	7/1987	Vaillancourt	2003/0114056 A1	6/2003	Sheely
D292,826 S *	11/1987	Sproles ..... D24/189			
4,706,662 A	11/1987	Thompson			
4,718,412 A	1/1988	Nesbitt			

2004/0127121 A1 7/2004 Schwab et al.

FOREIGN PATENT DOCUMENTS

EP	0 066 899	12/1982
EP	0 081 990	6/1983
EP	0 161 865	11/1985
EP	0 236 104	9/1987
EP	0 303 422	2/1989
EP	0 465 023	1/1992
EP	0 541 251	5/1993
GB	2 120 104	11/1983
GB	2 131 299	6/1984
JP	59-214449	12/1984
JP	D1264231	3/2006
KR	30-0335503	10/2003
TW	552061	10/1991
TW	D 100649	6/1992
WO	WO 94/21207	9/1994
WO	WO 98/00080	1/1998

OTHER PUBLICATIONS

Fey et al., "Chapter 18—Silicone Release Coatings"; Handbook of Pressure-Sensitive Adhesive Technology; 1982; pp. 384-403.

Limová et al.; "Clinical Evaluation of Two Hydrocolloid Dressings in the Management of Venous Insufficiency Ulcers"; 3M Health Care; Form No. 70-200809650-7(76.25)ii; 1996.

Brochure "3M Tegaserb™ Hydrocolloid Dressing 3M Tegaserb™ Thin Hydrocolloid Dressing Product Profile"; 3M Health Care; Form No. 70-2008-3817-8(861)ii; 1996.

Flyer "Tegaserb™ Ulcer Dressing"; Medical-Surgical Division 3M Health Care; Form No. 70-2008-2728-8 (301)ii; 1990.

Flyer "3M Tegaserb™ Thin hydrocolloid dressing"; 3M Health Care; Form No. 70-2008-6475-2(43.5)ii; 1993.

Flyer "3M Tegaserb™ ulcer dressing" Medical-Surgical Division 3M Health Care; Form No. 70-2008-4530-6(5115)VP; 1991.

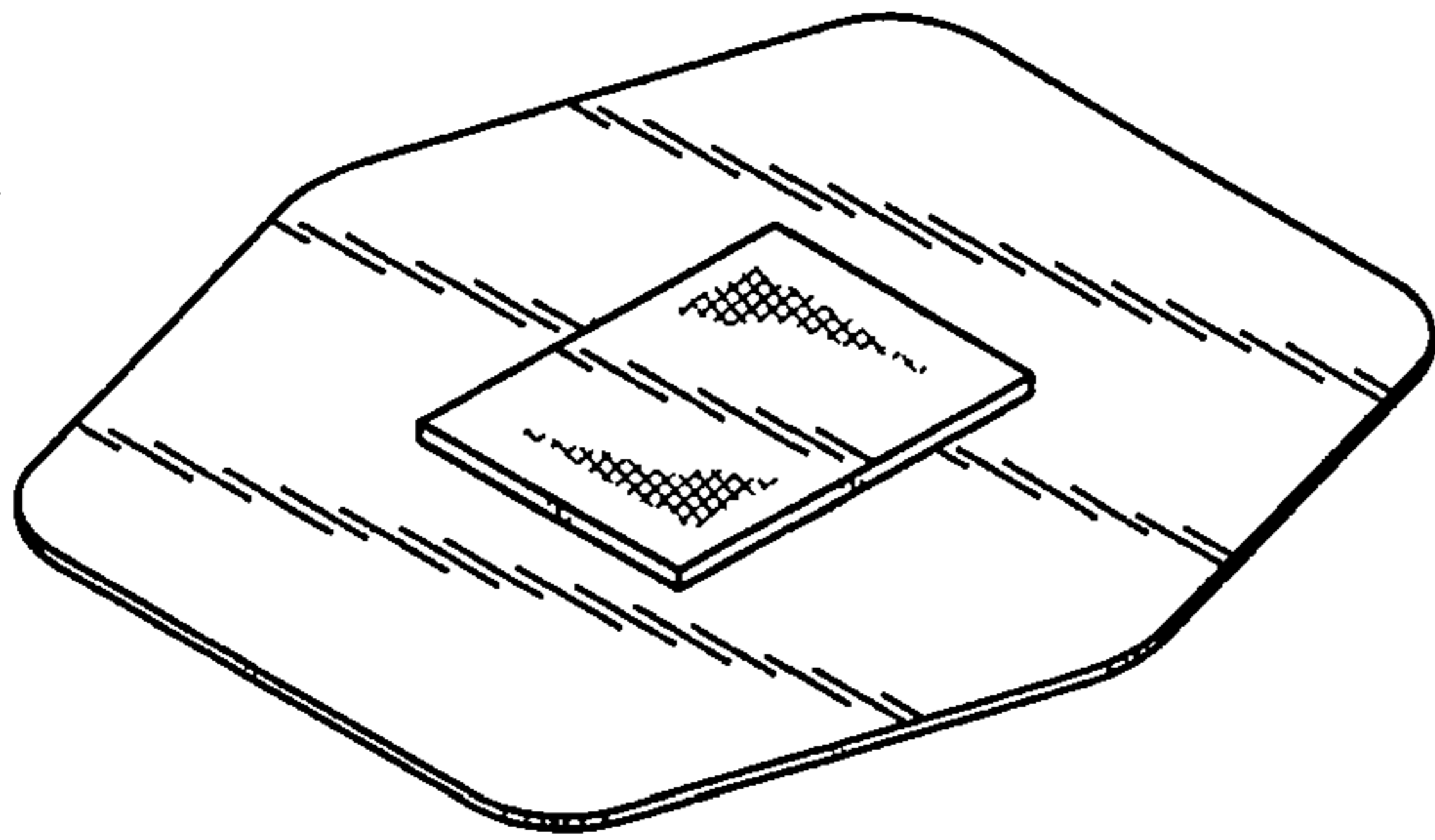
Brochure "Wound Care"; Medical-Surgical Division 3M Health Care; Form No. 70-2008-4526-4(70.8)VP; Feb. 1990.

Flyer "3M Tegaderm™ 1624W transparent dressing"; 3M Health Care; Form No. 70-2008-6769-8(73.75)ii; 1993.

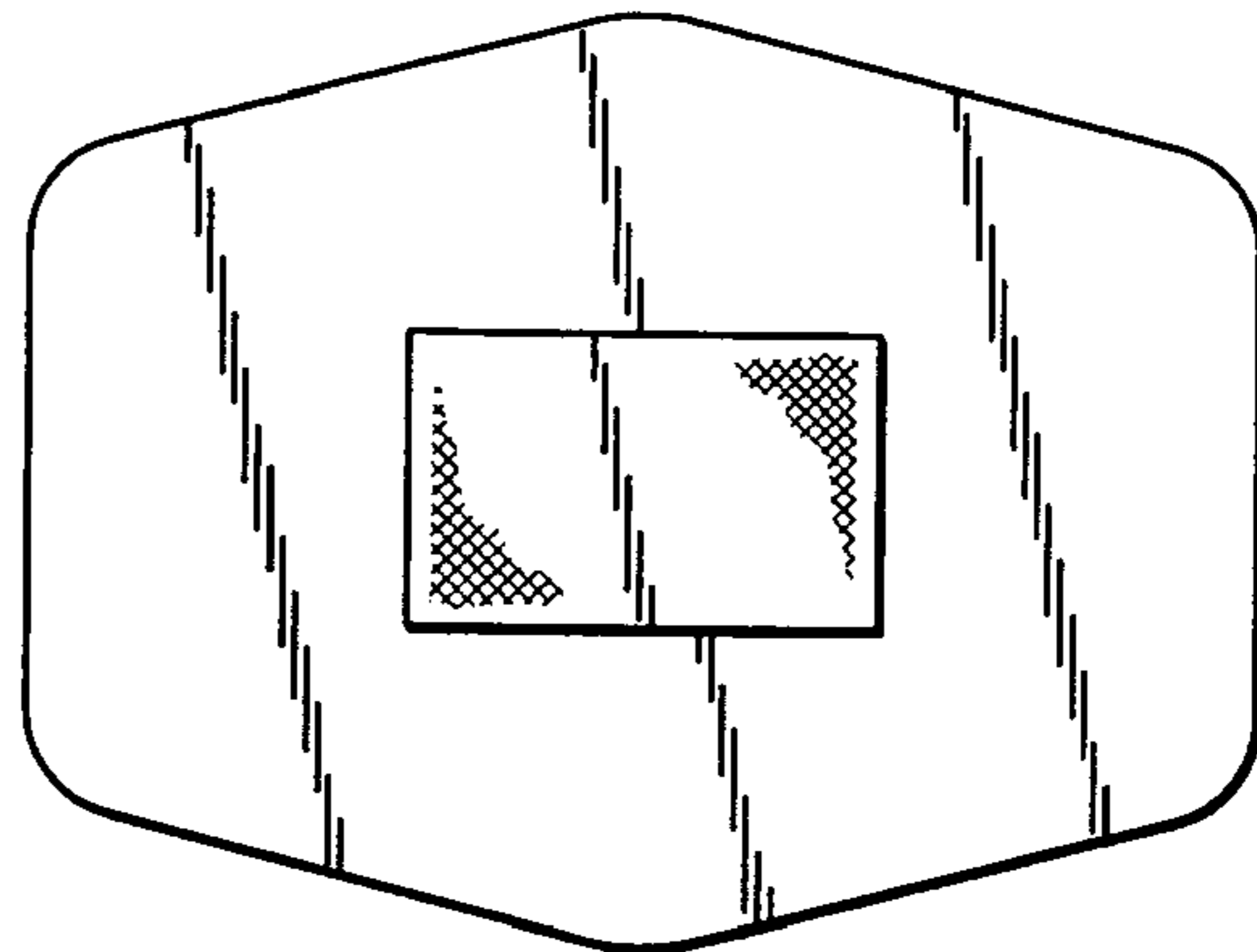
Flyer "3M Tegaderm Transparent Dressing"; 3M Health Care; Form No. 70-2008-7408-2(644)ii; 1994.

Brochure "Tegaderm™ Transparent Dressing—Suggested Applications and Special Techniques"; 3M Health Care; Form No. 70-2008-5413-4(321.5)ll; Oct. 1991.

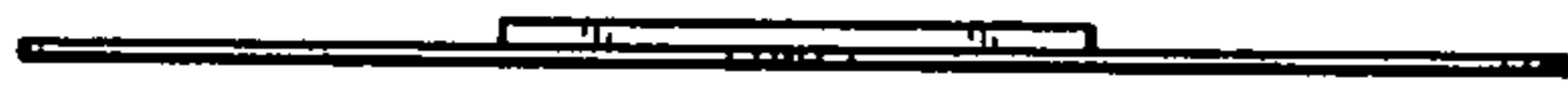
\* cited by examiner



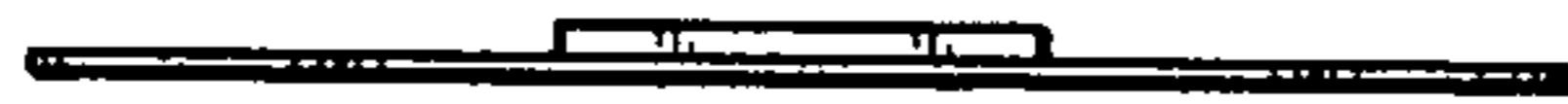
*FIG. 1*



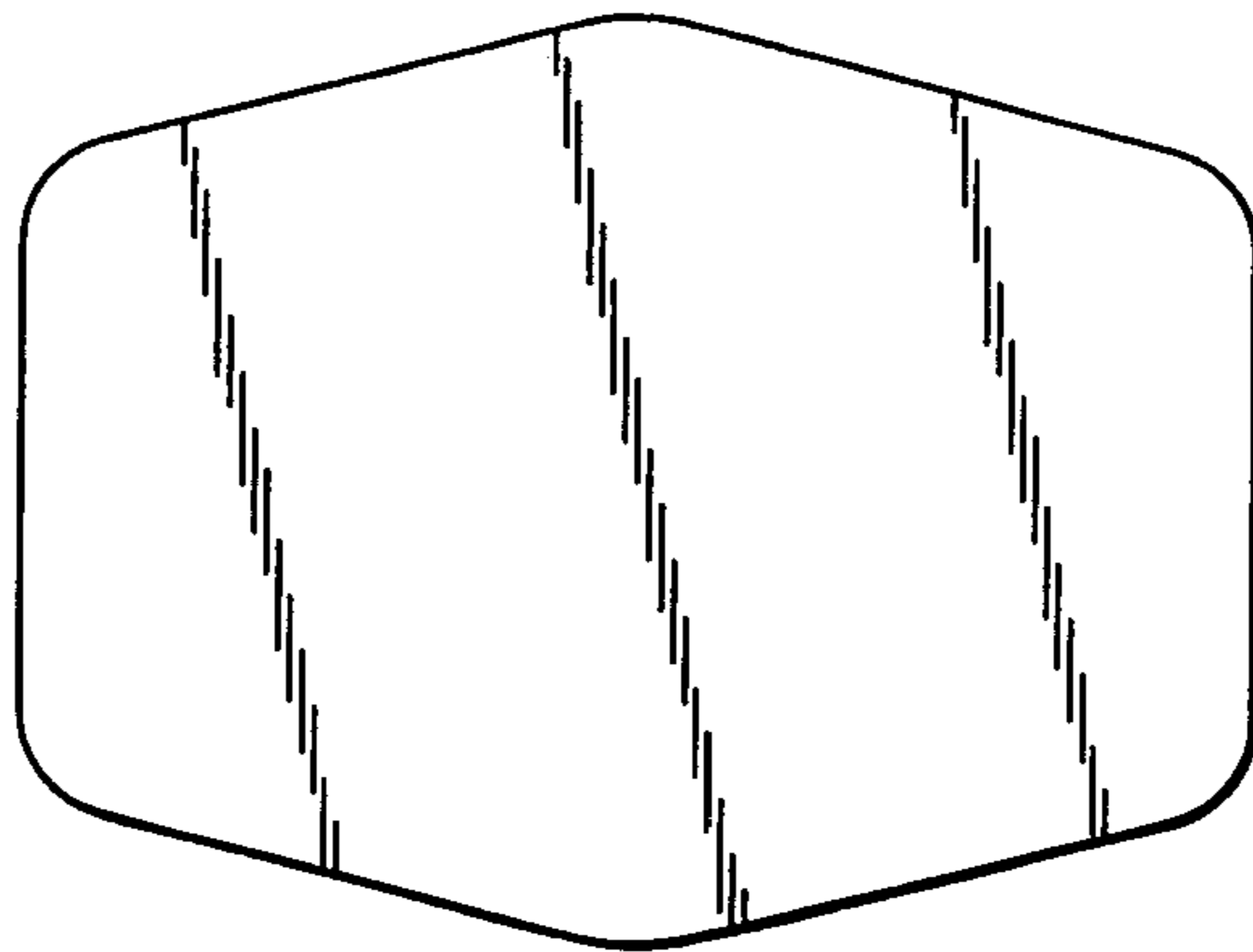
*FIG. 2*



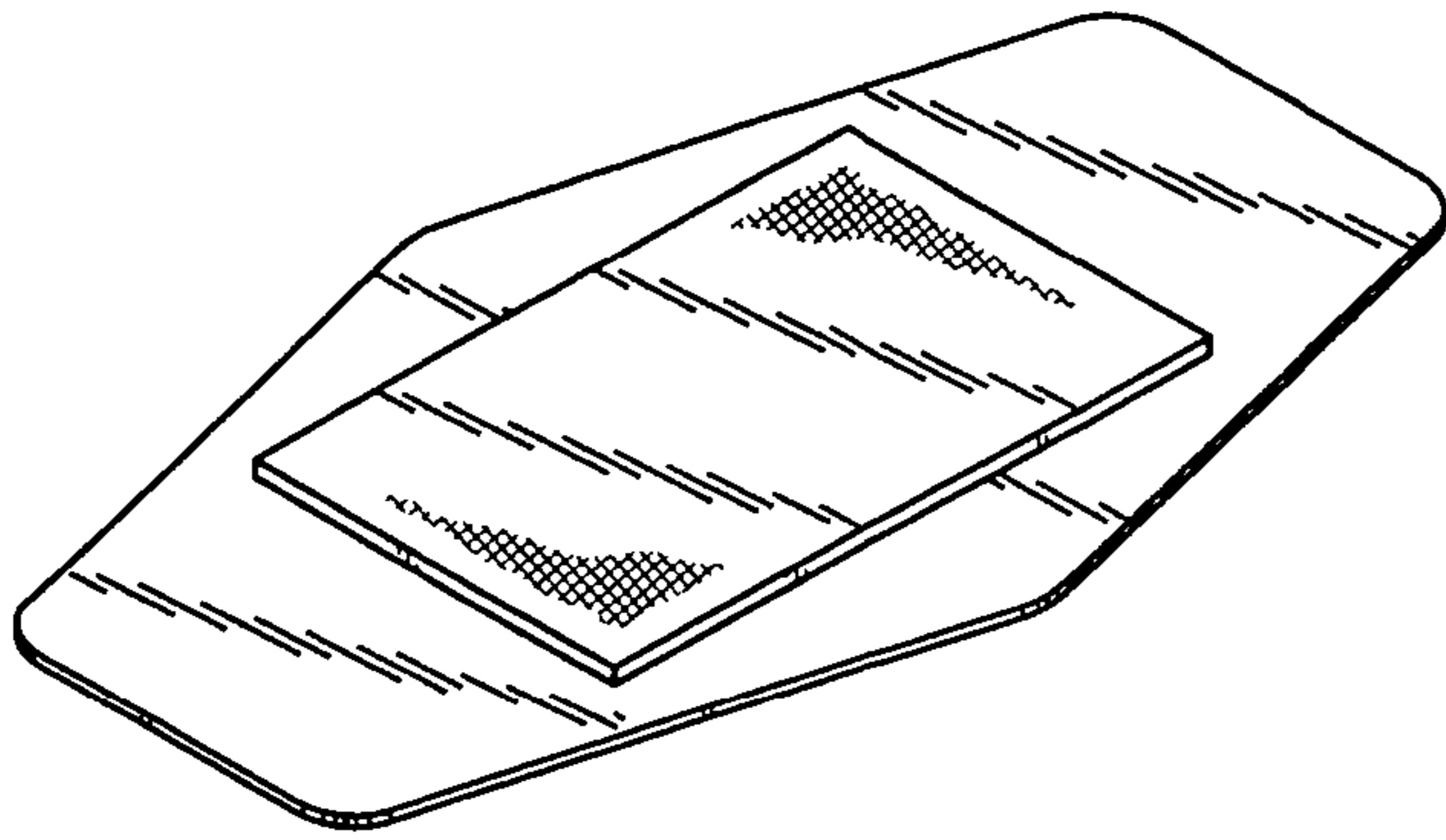
*FIG. 3*



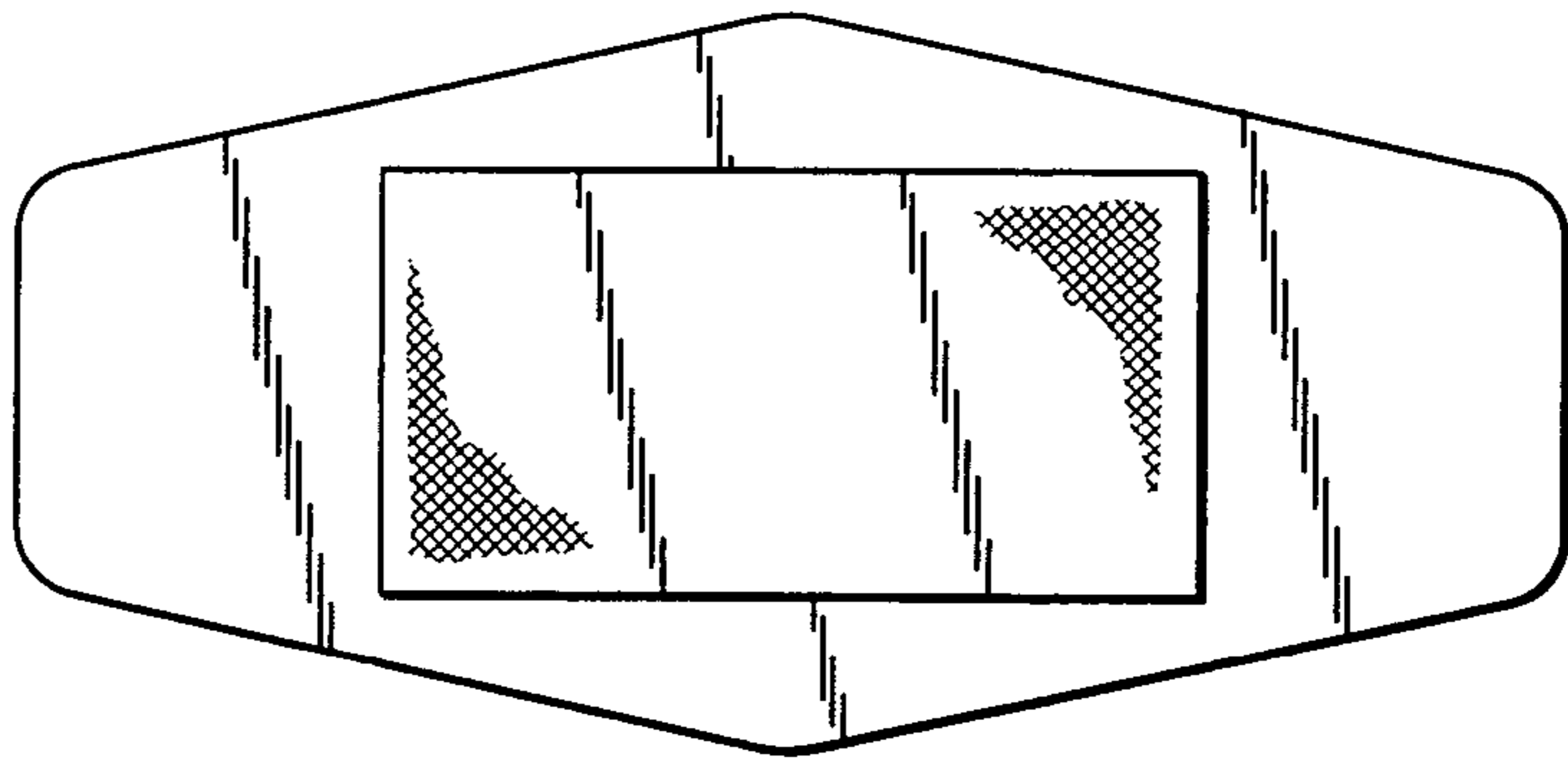
*FIG. 4*



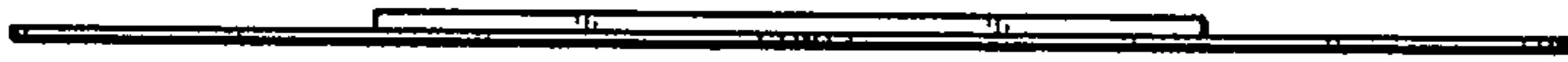
*FIG. 5*



*FIG. 6*



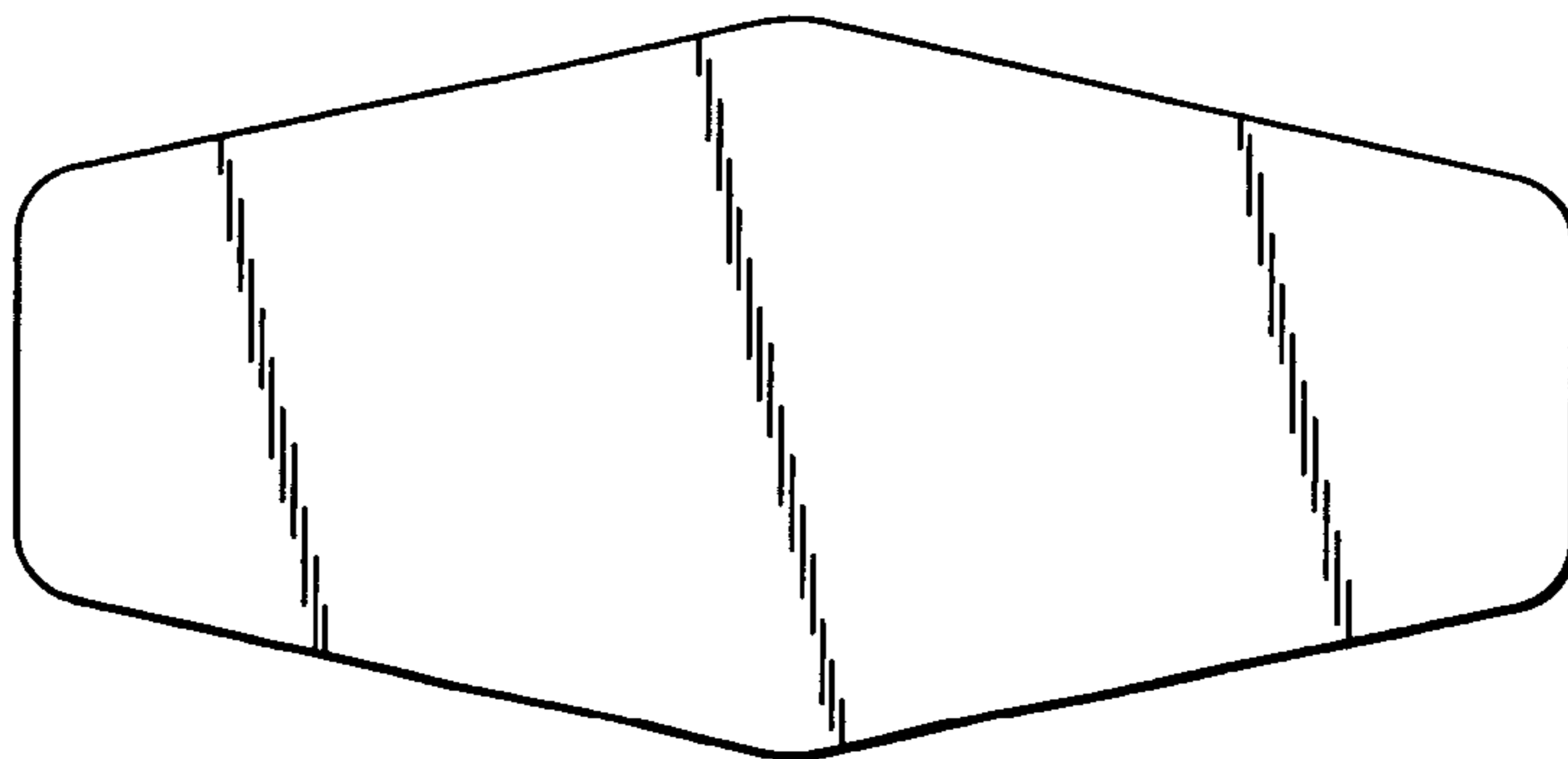
*FIG. 7*



*FIG. 8*



*FIG. 9*



*FIG. 10*

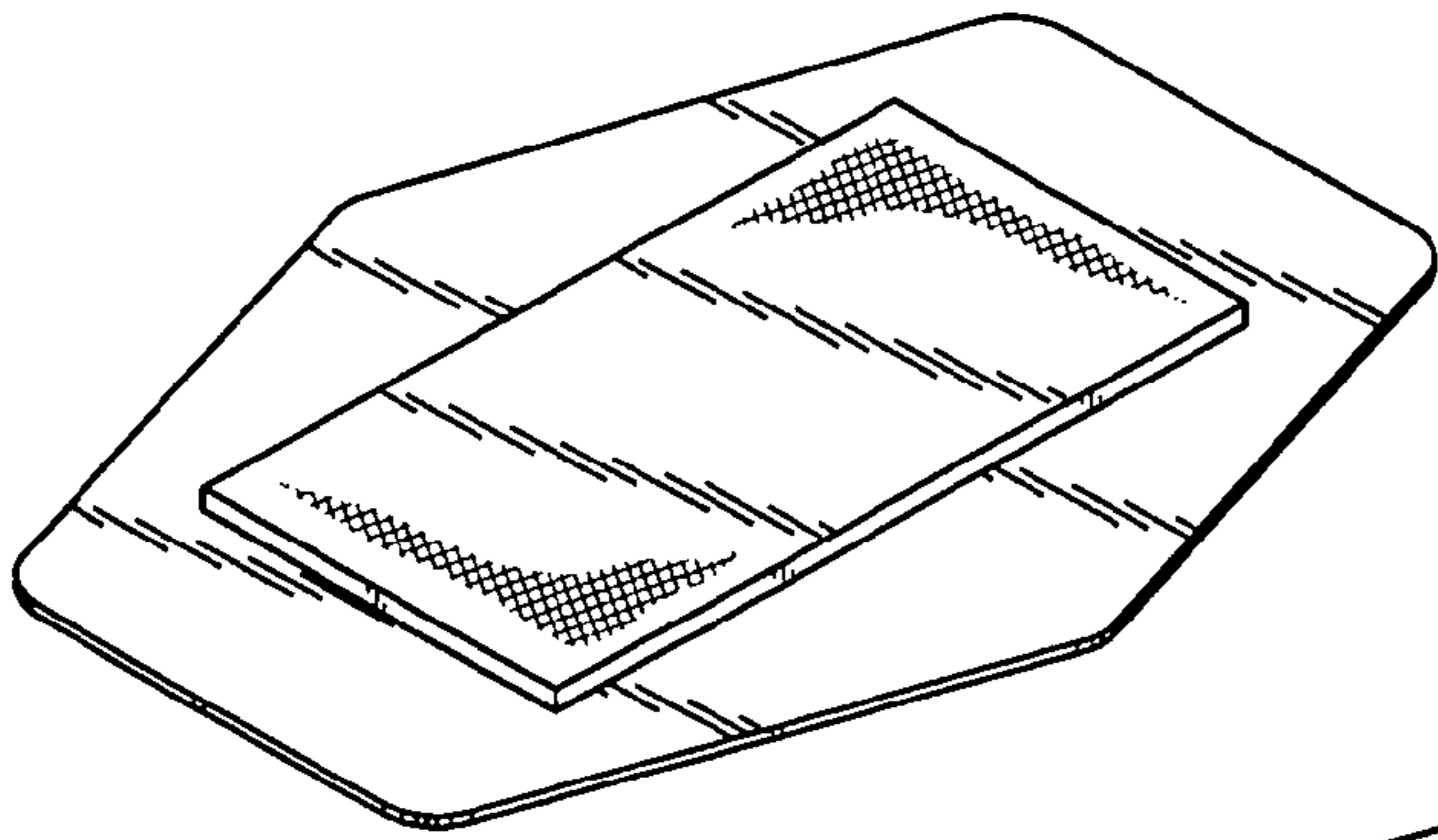


FIG. 11

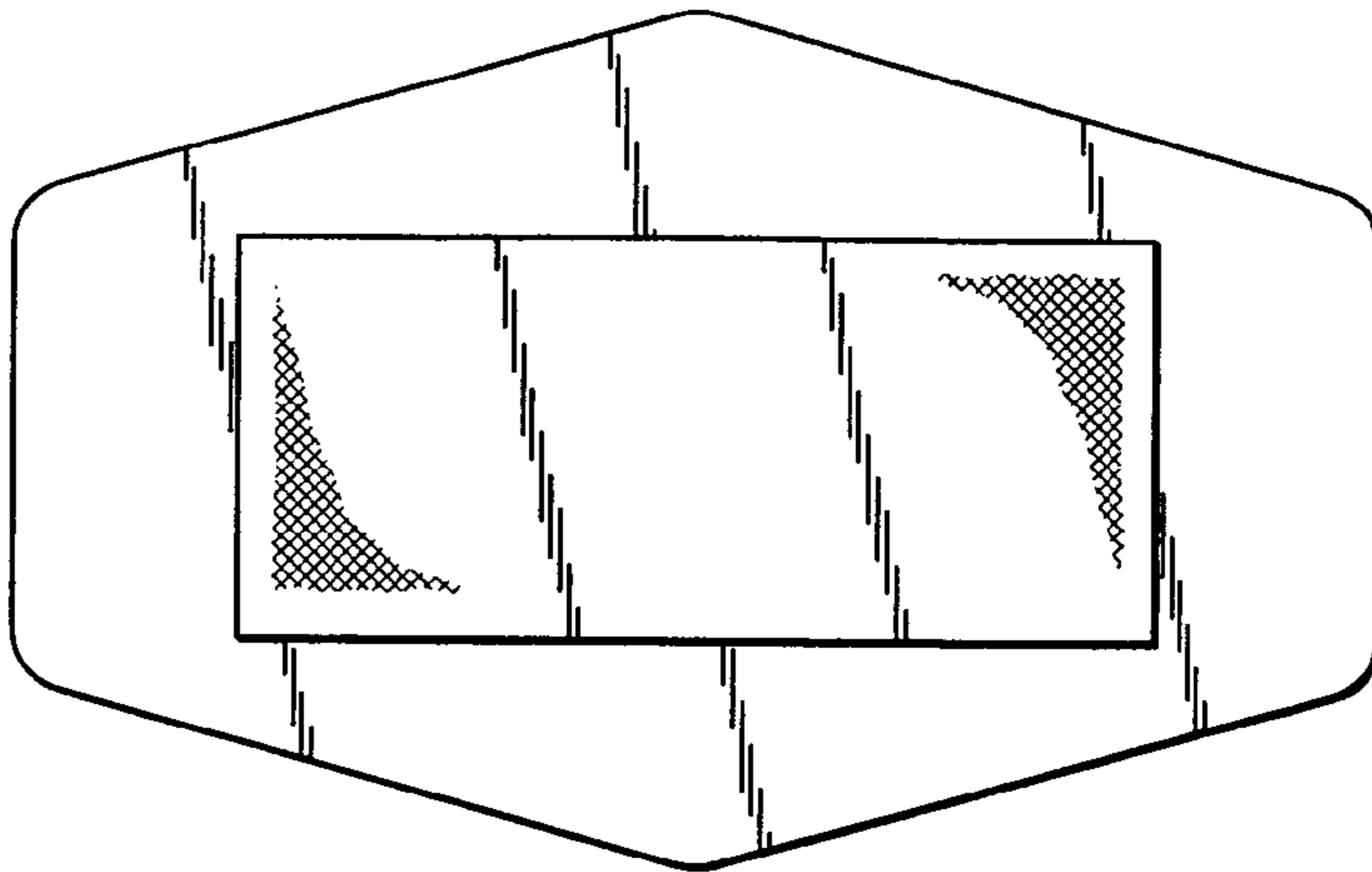


FIG. 12

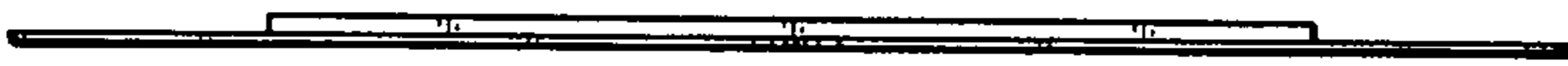


FIG. 13

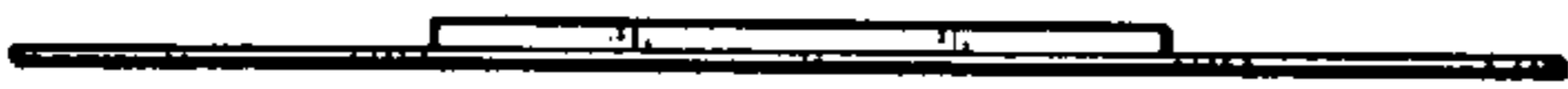


FIG. 14

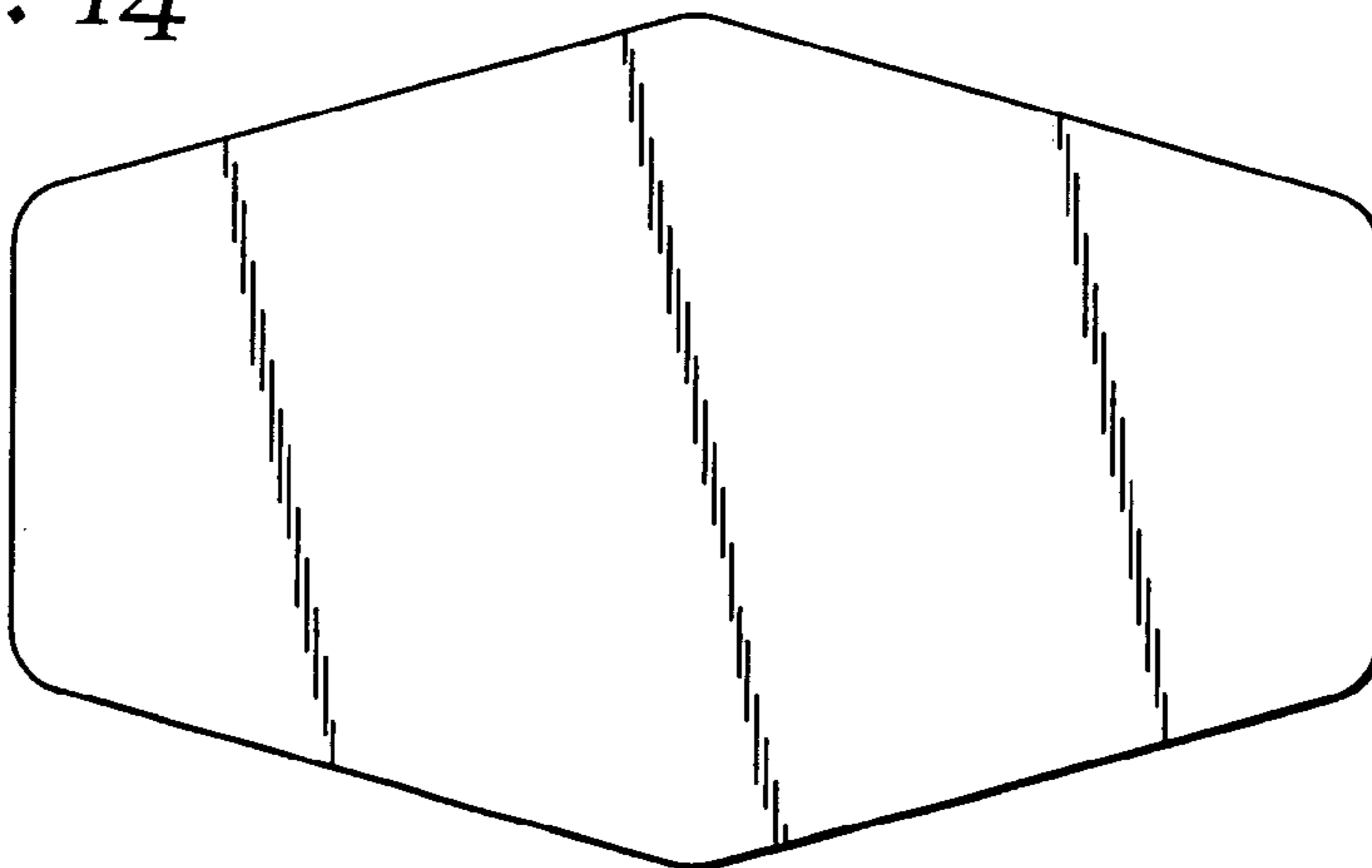


FIG. 15

UNITED STATES PATENT AND TRADEMARK OFFICE  
**CERTIFICATE OF CORRECTION**

PATENT NO. : Des. 573,260 S  
APPLICATION NO. : 29/261304  
DATED : July 15, 2008  
INVENTOR(S) : Wayne K. Dunshee

Page 1 of 1

It is certified that error appears in the above-identified patent and that said Letters Patent is hereby corrected as shown below:

Title Page 3 item 56

Column 2, line 21, delete "11;" and insert --ii;--, therefor.

Signed and Sealed this

Third Day of March, 2009



JOHN DOLL  
*Acting Director of the United States Patent and Trademark Office*