



US00D573259S

(12) **United States Design Patent**
Park et al.

(10) **Patent No.:** **US D573,259 S**
(45) **Date of Patent:** **** Jul. 15, 2008**

(54) **ORTHODONTIC SCREW**

(75) Inventors: **Jaecil Park**, Ansan-si (KR); **Namkweon Kim**, Bucheon-si (KR); **Ilkook Jung**, Gimpo-si (KR)

(73) Assignee: **Jeil Medical Co., Ltd.** (KR)

(**) Term: **14 Years**

(21) Appl. No.: **29/258,402**

(22) Filed: **Apr. 20, 2006**

(30) **Foreign Application Priority Data**

Oct. 20, 2005 (KR) 30-2005-0035409

(51) **LOC (8) Cl.** **24-03**

(52) **U.S. Cl.** **D24/156; D8/387**

(58) **Field of Classification Search** D24/155-577,
D24/133, 107; 623/1.13-1.23, 17.11; 604/1.02,
604/103.02; 433/141.3, 121, 171, 174; D8/388,
D8/394

See application file for complete search history.

(56) **References Cited**

U.S. PATENT DOCUMENTS

D273,984	S *	5/1984	Vlock	D24/156
D282,003	S *	12/1985	Wermuth	D24/156
5,169,309	A *	12/1992	Staubli et al.	433/174
5,897,319	A *	4/1999	Wagner et al.	433/174
6,053,729	A *	4/2000	Brehm et al.	433/9
D441,448	S *	5/2001	Kumar	D24/156
6,382,976	B1 *	5/2002	Wagner	433/174

6,402,515	B1 *	6/2002	Palti et al.	433/174
D470,939	S *	2/2003	Daftary	D24/156
6,716,030	B1 *	4/2004	Bulard et al.	433/174
6,743,013	B2 *	6/2004	Jordan et al.	433/9
7,125,249	B1 *	10/2006	Lauren	433/9
7,131,836	B1 *	11/2006	Kesling	433/9
7,153,130	B2 *	12/2006	Christoff	433/9
7,331,782	B2 *	2/2008	Andreiko	433/9

* cited by examiner

Primary Examiner—Charles A. Rademaker

(74) *Attorney, Agent, or Firm*—Knobbe Martens Olson & Bear LLP

(57) **CLAIM**

The ornamental design for an orthodontic screw, as shown and described.

DESCRIPTION

FIG. 1 is a perspective view of an orthodontic screw showing our new design;

FIG. 2 is front elevation thereof;

FIG. 3 is a rear elevation thereof;

FIG. 4 is a left side elevation thereof;

FIG. 5 is a right side elevation thereof;

FIG. 6 is a top plan view thereof; and,

FIG. 7 is a bottom plan view thereof.

The broken line shown in the drawings are included for the purpose of illustrating environmental structure and form no part of the claimed design.

1 Claim, 7 Drawing Sheets

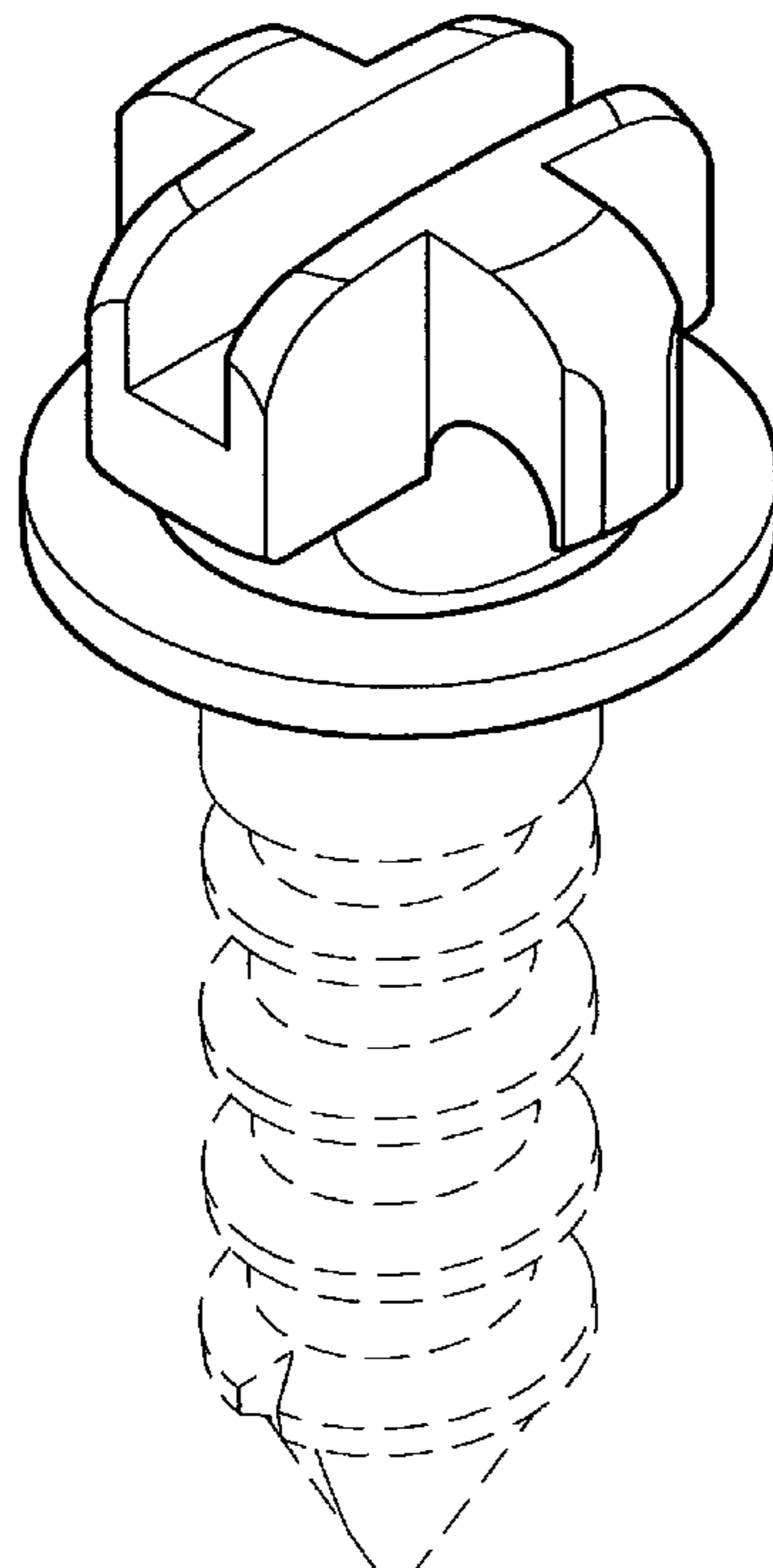


FIG. 1

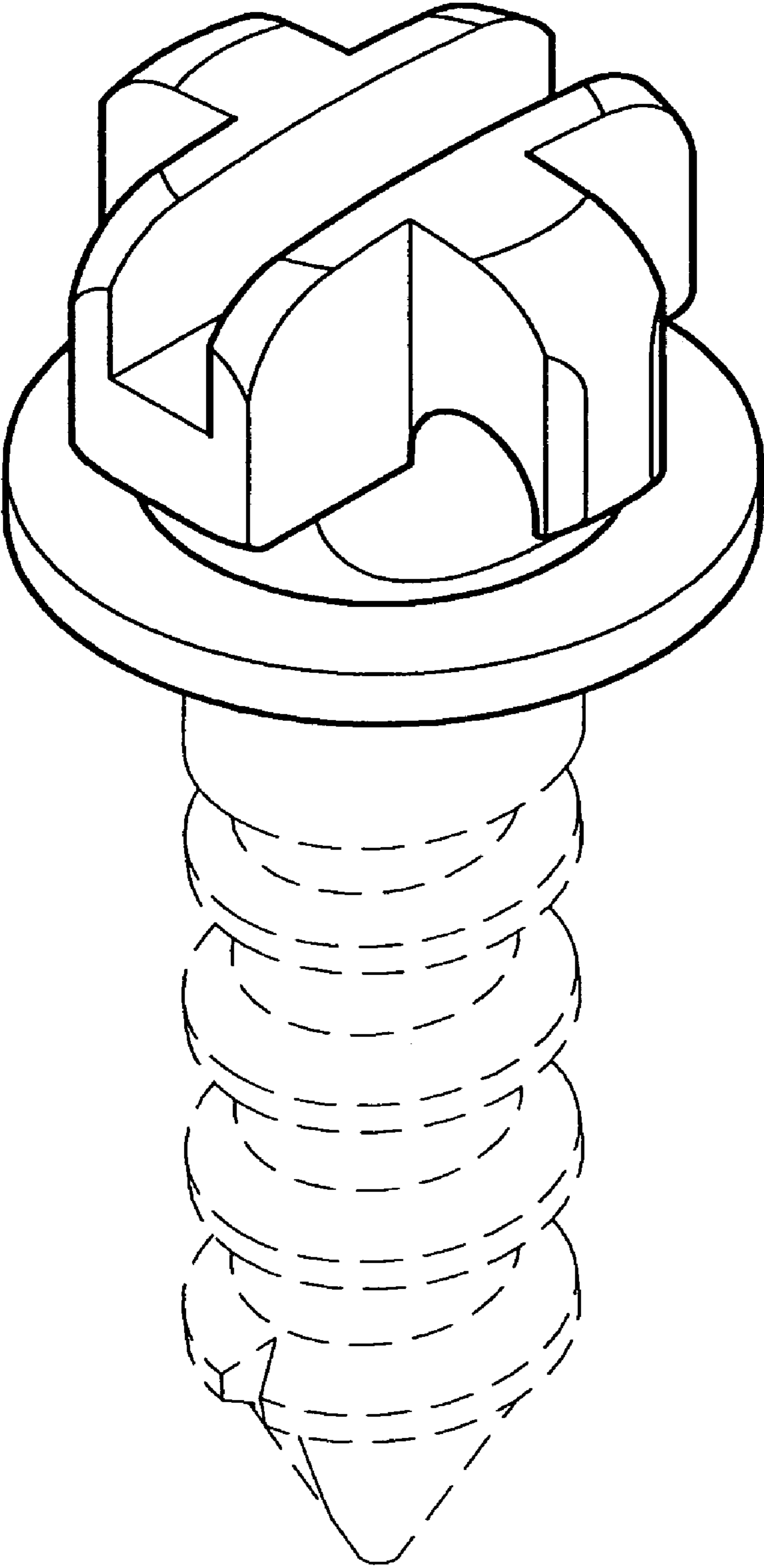


FIG. 2

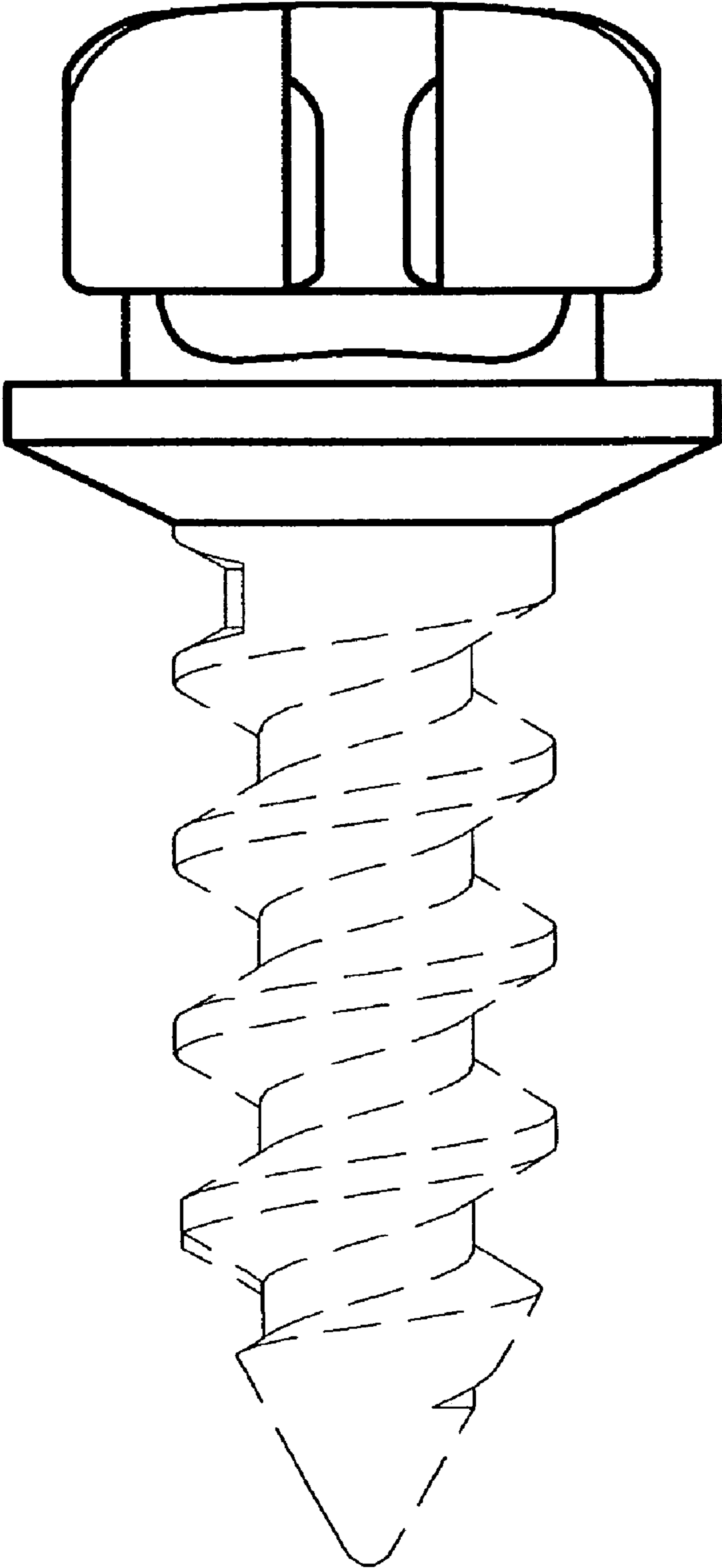


FIG. 3

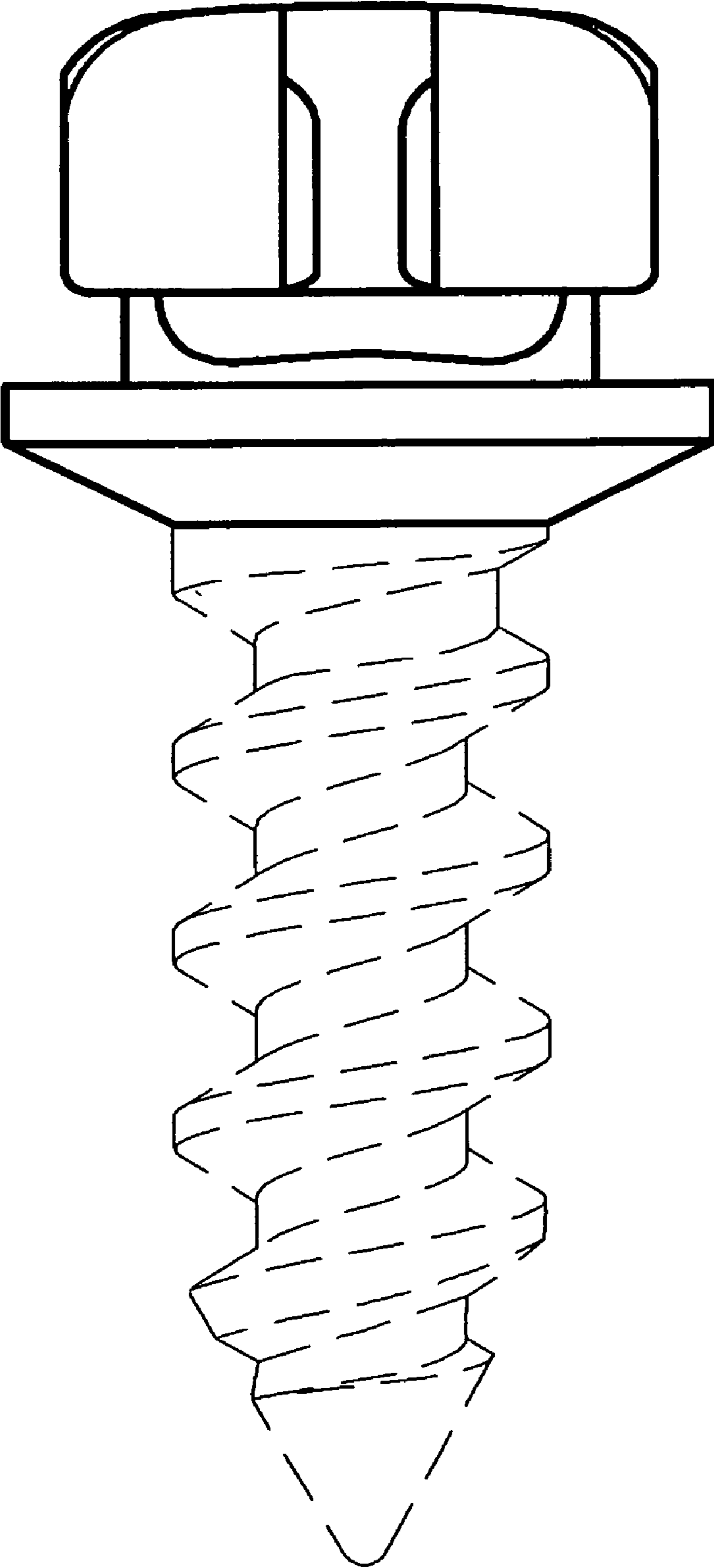


FIG. 4

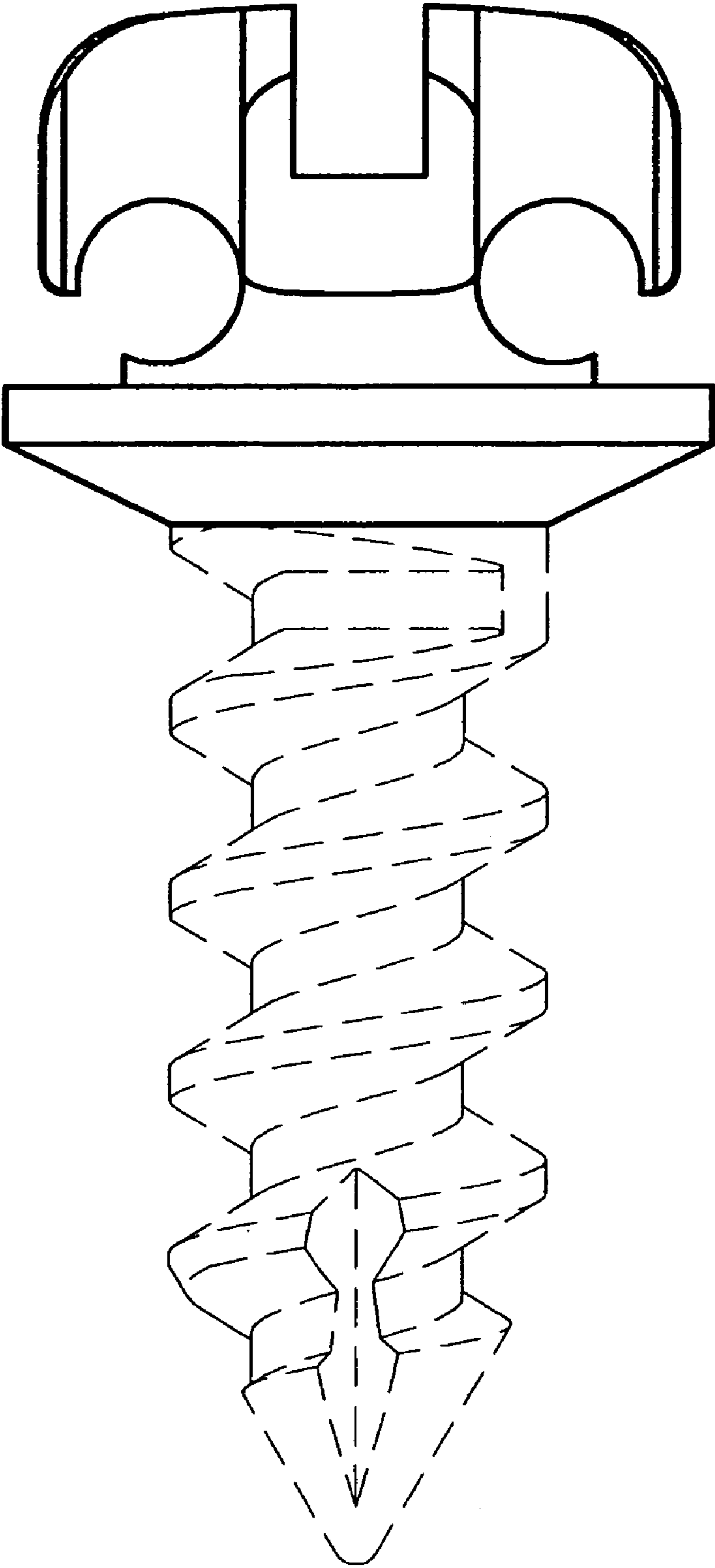


FIG. 5

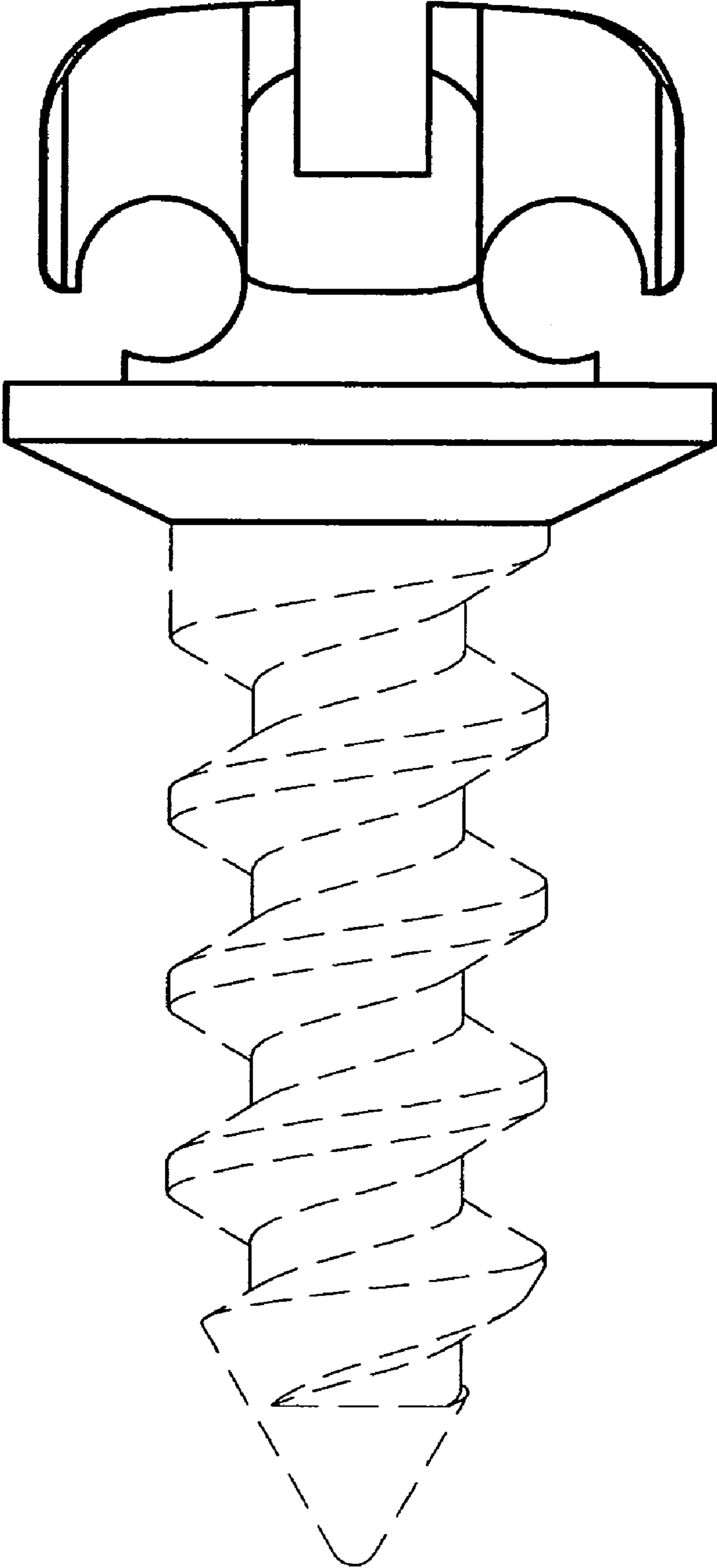


FIG. 6

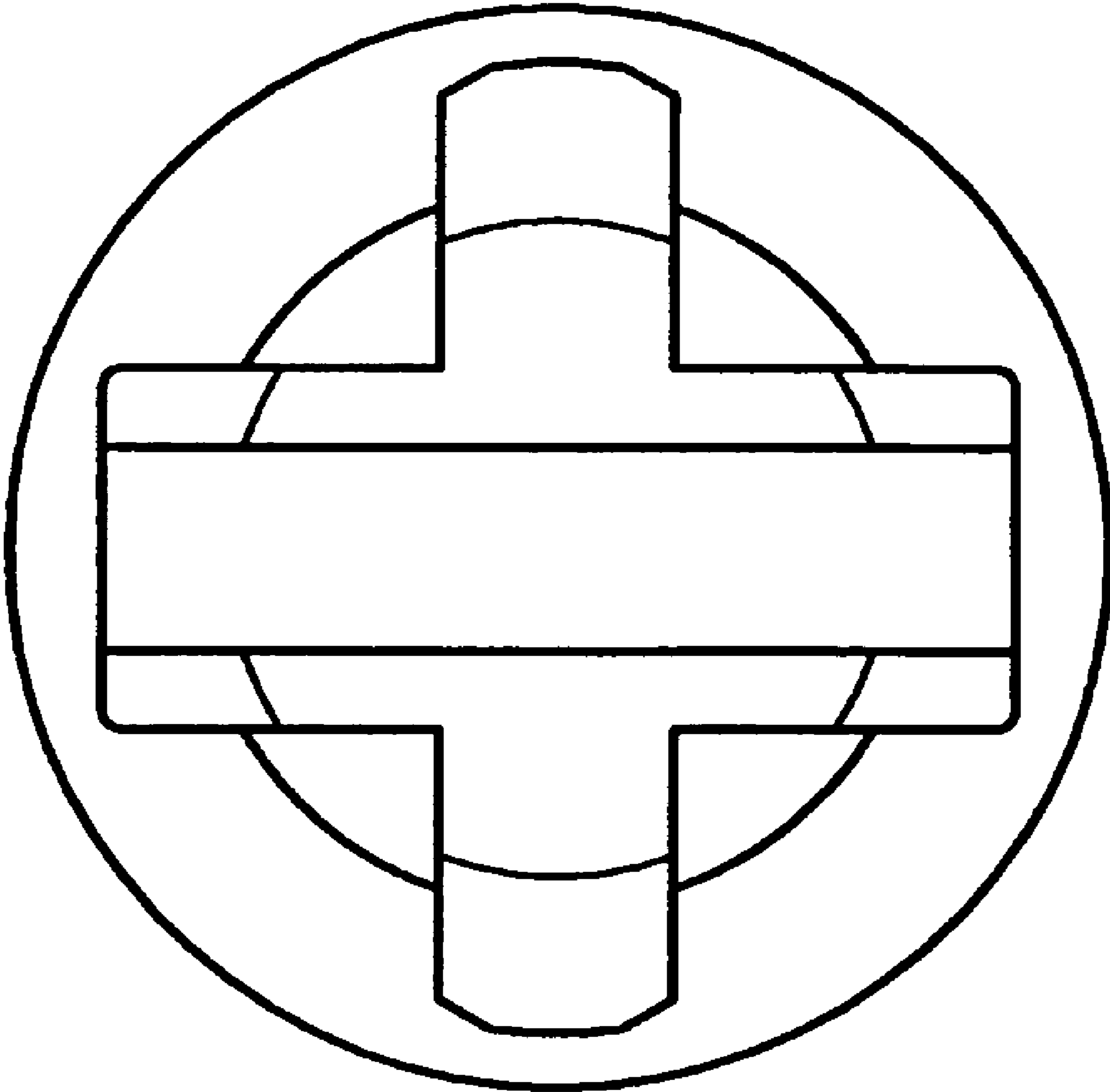


FIG. 7

