



US00D573257S

(12) **United States Design Patent**
Rehbein et al.

(10) **Patent No.:** **US D573,257 S**
(45) **Date of Patent:** **** *Jul. 15, 2008**

(54) **MEDICAL INSTRUMENT**

(75) Inventors: **Stefan Rehbein**,
Immendingen-Hattingen (DE); **Frank Doll**,
Talheim (DE)

(73) Assignee: **Karl Storz GmbH & Co. KG** (DE)

(*) Notice: This patent is subject to a terminal disclaimer.

(**) Term: **14 Years**

(21) Appl. No.: **29/259,180**

(22) Filed: **May 3, 2006**

(30) **Foreign Application Priority Data**

Nov. 7, 2005 (EM) 000428669

(51) **LOC (8) Cl.** **24-02**

(52) **U.S. Cl.** **D24/133; D24/112; D24/139;**
D24/137; D24/147

(58) **Field of Classification Search** D24/107,
D24/108, 111, 129, 133, 137, 138, 143, 147,
D24/145, 146, 149; 600/101, 104, 105, 112-114,
600/119, 120-123, 128, 131, 132, 135, 136,
600/138, 153, 154, 156, 157, 158, 162; 604/523;
606/46, 49, 170, 180, 41; 285/316; 128/898
See application file for complete search history.

(56) **References Cited**

U.S. PATENT DOCUMENTS

2,691,370 A * 10/1954 Frederick 600/104
3,144,020 A * 8/1964 Zingale 600/119
3,850,162 A * 11/1974 Iglesias 600/105
5,445,168 A * 8/1995 Krebs 128/898
D367,324 S * 2/1996 McCarthy et al. D24/112

5,807,240 A * 9/1998 Muller et al. 600/135
5,925,040 A * 7/1999 Nardella et al. 606/41
6,918,909 B2 * 7/2005 Ohyama et al. 606/46
D536,787 S * 2/2007 Rehbein et al. D24/133
D536,790 S * 2/2007 Michel et al. D24/137

OTHER PUBLICATIONS

Resectoscope Sheath No. 27050 SL of Karl Storz Advertising Literature—Storz, *The World of Endoscopy, Urology*, 7th Edition Jan. 2003.*
Karl Storz Advertising Literature—Storz *The World of Endoscopy, Gynecology*, 4th Edition Jan. 2003.
Karl Storz Advertising Literature—Storz *The World of Endoscopy, Urology*, 7th Edition Jan. 2003.

* cited by examiner

Primary Examiner—Ian Simmons

Assistant Examiner—Carissa C Fitts

(74) *Attorney, Agent, or Firm*—St. Onge Steward Johnston & Reens LLC

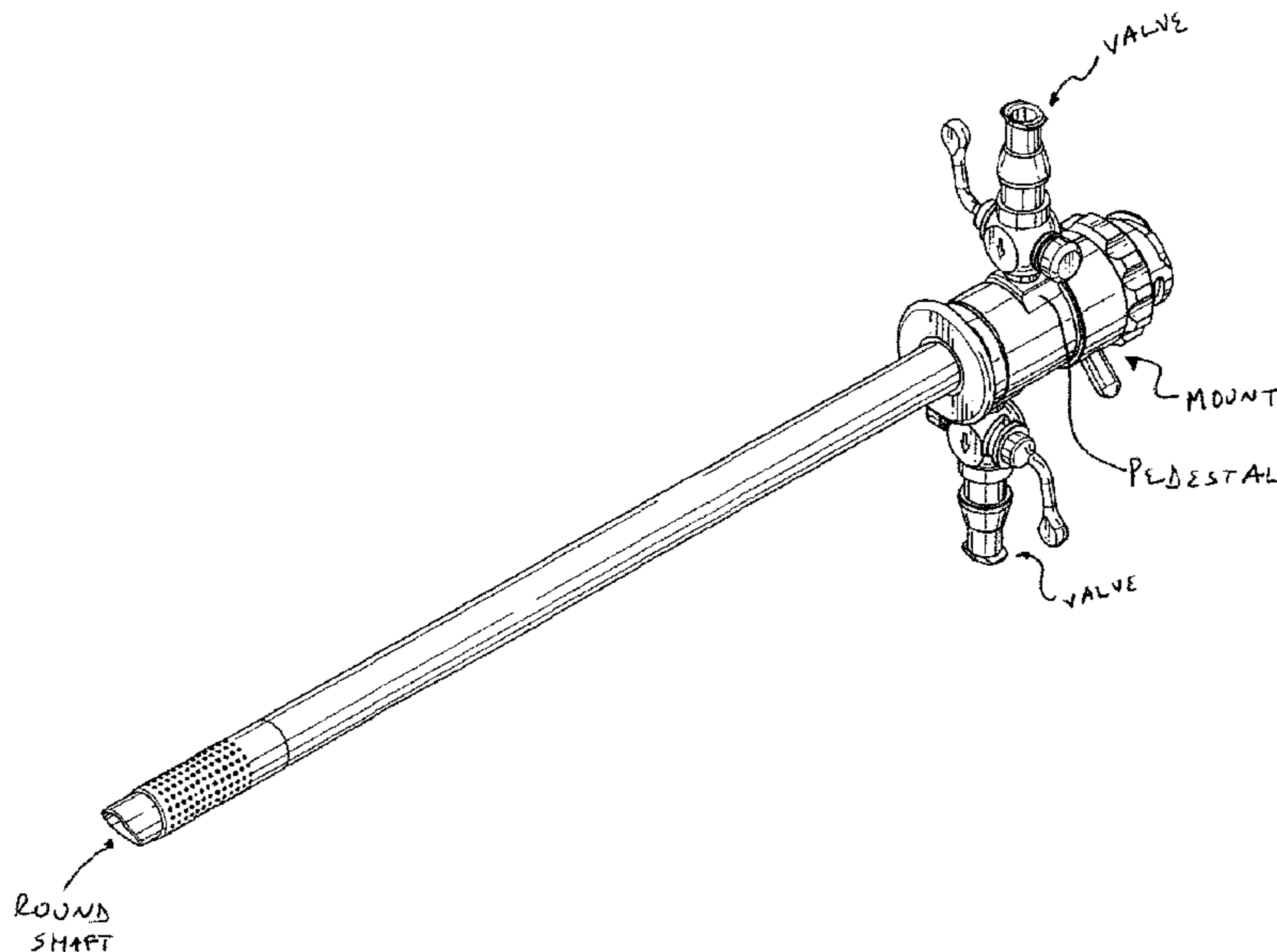
(57) **CLAIM**

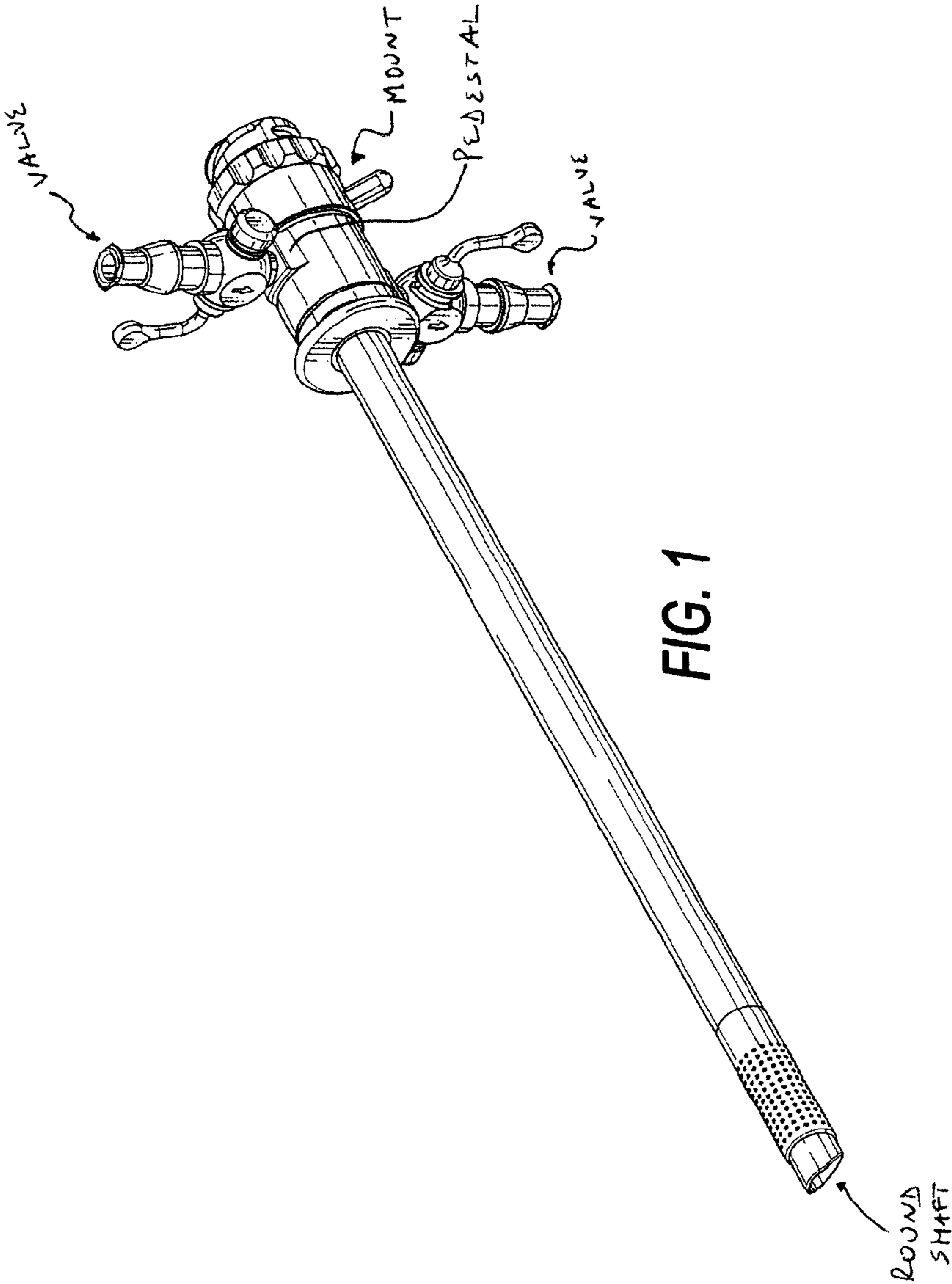
The ornamental design for a medical instrument, as shown and described in the drawings.

DESCRIPTION

FIG. 1 is a front perspective view of a medical instrument in accordance with the new design;
FIG. 2 is a front view thereof;
FIG. 3 is a rear view thereof;
FIG. 4 is a top view thereof;
FIG. 5 is a bottom view thereof;
FIG. 6 right side view thereof; and,
FIG. 7 left side view thereof.

1 Claim, 7 Drawing Sheets





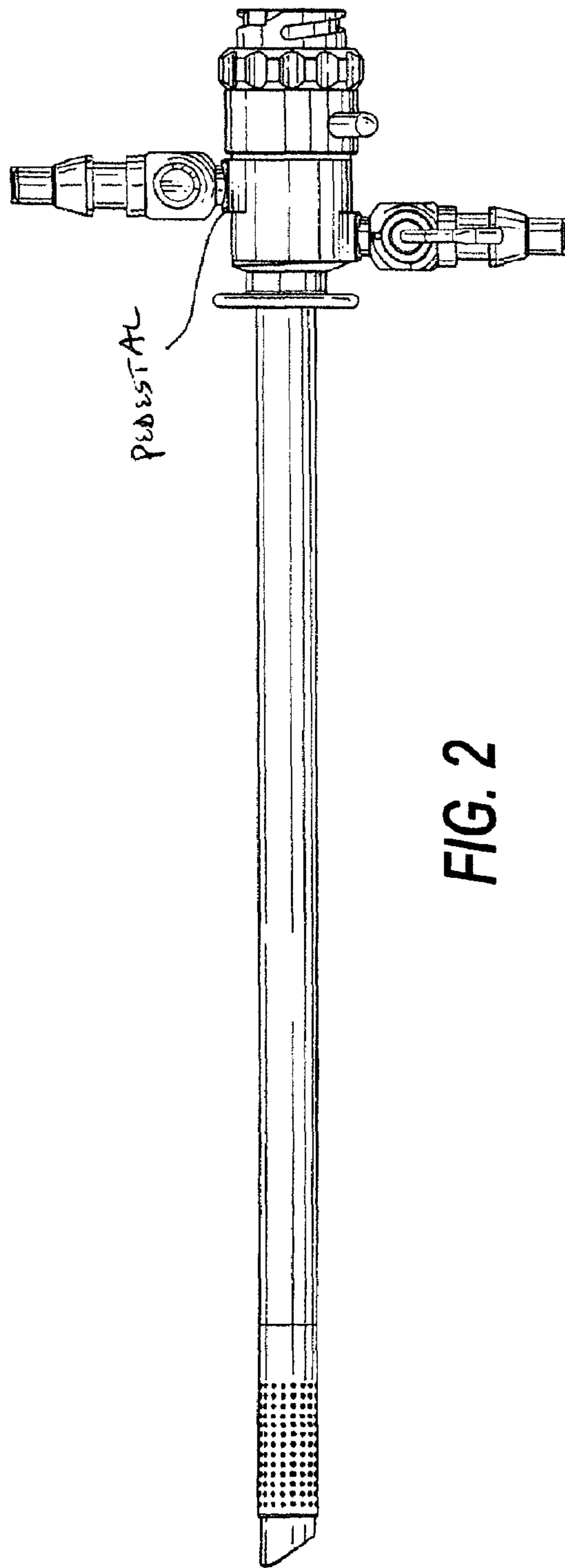


FIG. 2

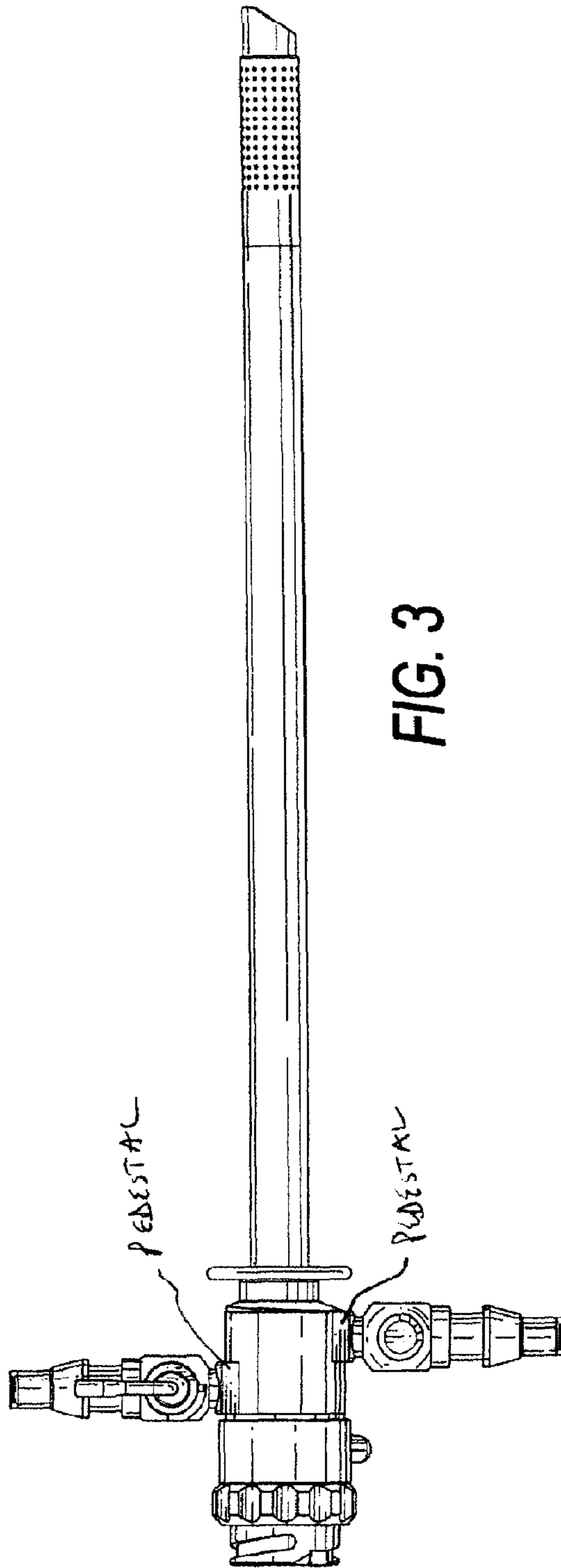


FIG. 3

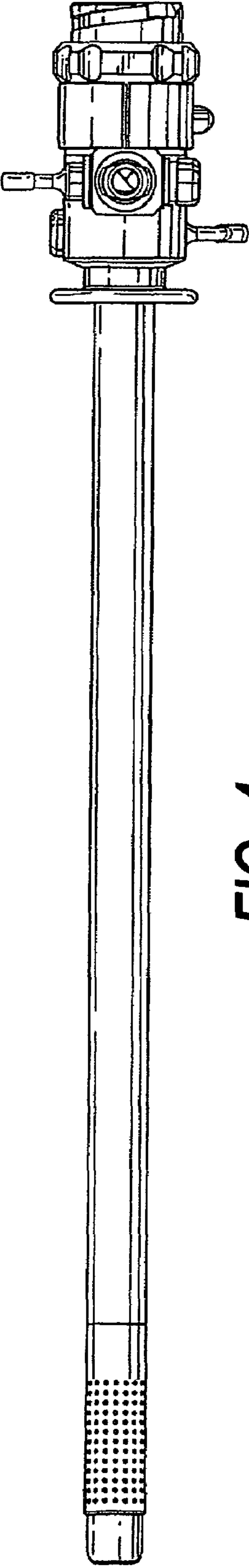


FIG. 4

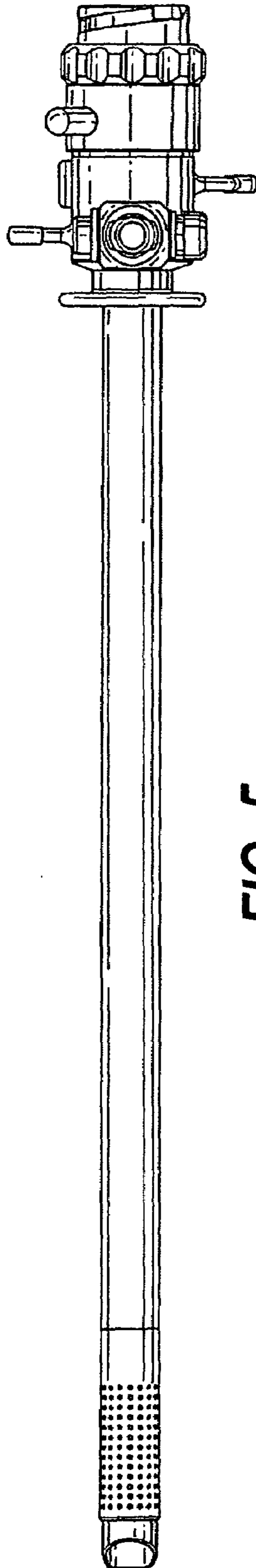


FIG. 5

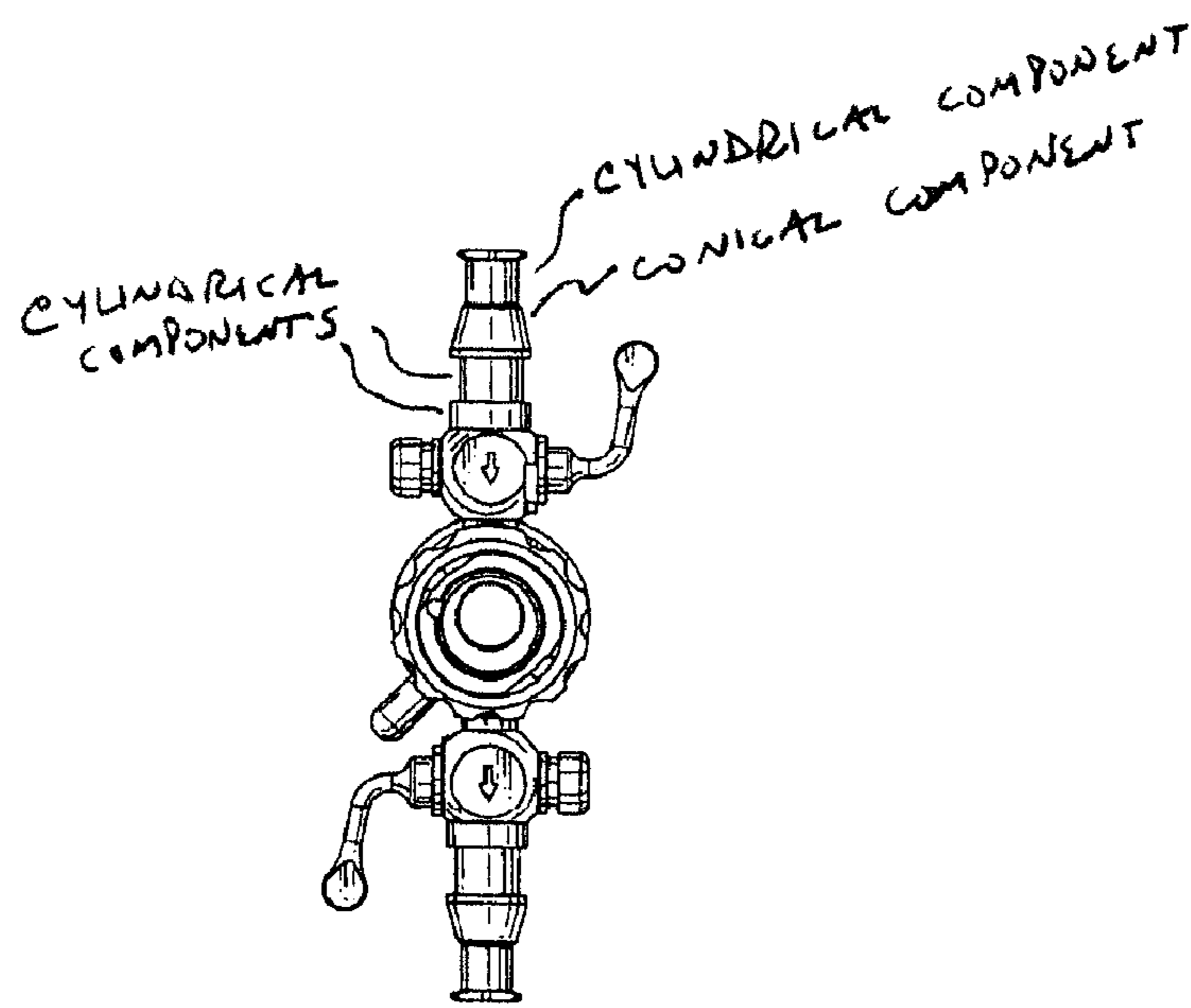


FIG. 6

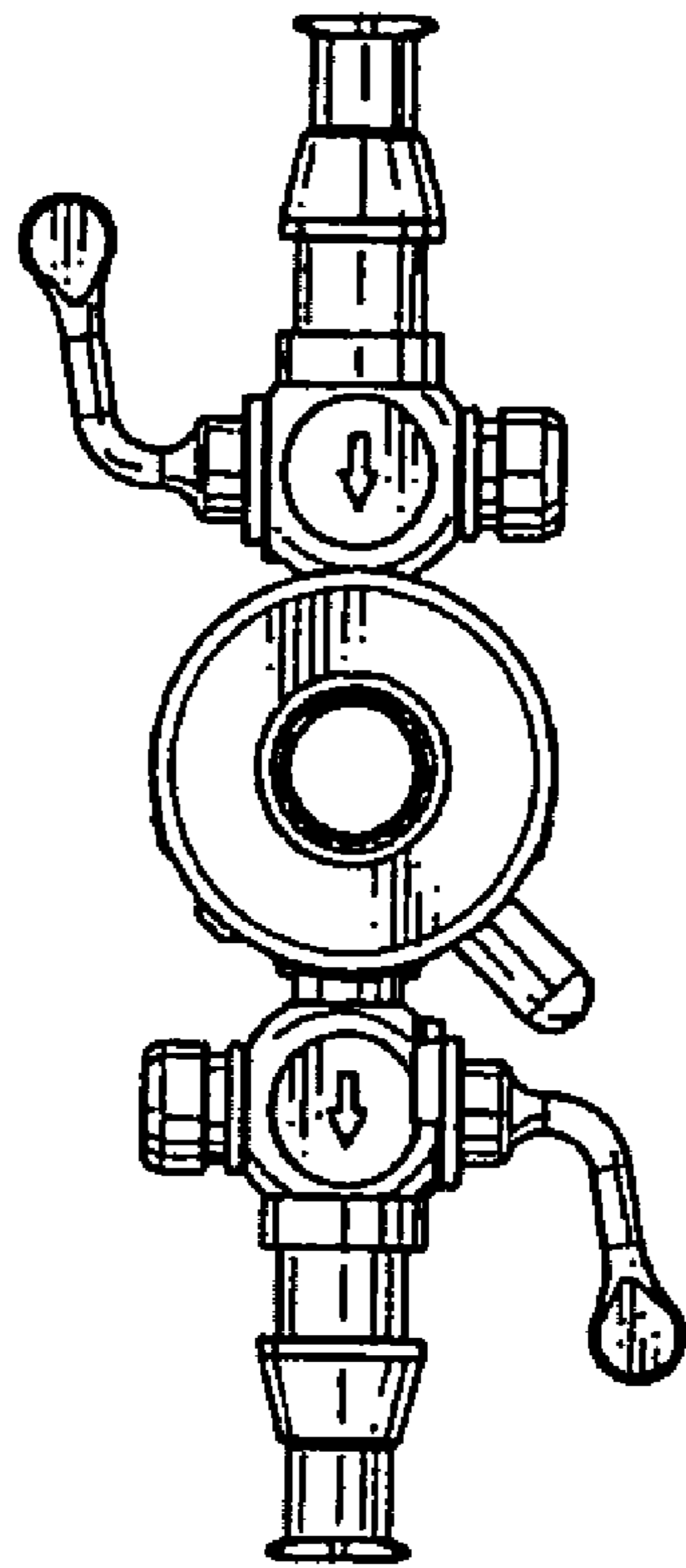


FIG. 7

UNITED STATES PATENT AND TRADEMARK OFFICE
CERTIFICATE OF CORRECTION

PATENT NO. : Des. 573,257 S
APPLICATION NO. : 29/259180
DATED : July 15, 2008
INVENTOR(S) : Rehbein et al.

Page 1 of 9

It is certified that error appears in the above-identified patent and that said Letters Patent is hereby corrected as shown below:

The title page showing the illustrative figure should be deleted to be replaced with the attached title page.

The drawing sheets, consisting of Figs. 1-7, should be deleted to be replaced with the drawing sheets, consisting of Figs. 1-7, as shown on the attached page.

Signed and Sealed this

Twenty-fifth Day of November, 2008

A handwritten signature in black ink that reads "Jon W. Dudas". The signature is written in a cursive style with a large, looped initial "J".

JON W. DUDAS

Director of the United States Patent and Trademark Office

(12) United States Design Patent
Rehbein et al.

(10) Patent No.: US D573,257 S
(45) Date of Patent: ** *Jul. 15, 2008

(54) **MEDICAL INSTRUMENT**

(75) Inventors: **Stefan Rehbein,**
 Immendingen-Hattingen (DE); **Frank**
Doll, Talheim (DE)

(73) Assignee: **Karl Storz GmbH & Co. KG** (DE)

(*) Notice: This patent is subject to a terminal disclaimer.

(**) Term: **14 Years**

(21) Appl. No.: **29/259,180**

(22) Filed: **May 3, 2006**

(30) Foreign Application Priority Data

Nov. 7, 2005 (EM) 000428669

(51) **LOC (8) Cl.** **24-02**

(52) **U.S. Cl.** **D24/133; D24/112; D24/139;**
D24/137; D24/147

(58) **Field of Classification Search** **D24/107,**
D24/108, 111, 129, 133, 137, 138, 143, 147,
D24/145, 146, 149; 600/101, 104, 105, 112-114,
600/119, 120-123, 128, 131, 132, 135, 136,
600/138, 153, 154, 156, 157, 158, 162; 604/523;
606/46, 49, 170, 180, 41; 285/316; 128/898
 See application file for complete search history.

(56) References Cited

U.S. PATENT DOCUMENTS

2,691,370 A * 10/1954 Frederick 600/104
 3,144,020 A * 8/1964 Zingale 600/119
 3,850,162 A * 11/1974 Iglesias 600/105
 5,445,168 A * 8/1995 Krebs 128/898
 D367,324 S * 2/1996 McCarthy et al. D24/112

5,807,240 A * 9/1998 Muller et al. 600/135
 5,925,040 A * 7/1999 Nardella et al. 606/41
 6,918,909 B2 * 7/2005 Ohyama et al. 606/46
 D536,787 S * 2/2007 Rehbein et al. D24/133
 D536,790 S * 2/2007 Michel et al. D24/137

OTHER PUBLICATIONS

Resectoscope Sheath No. 27050 SL of Karl Storz Advertising Literature—Storz, The World of Endoscopy, Urology, 7th Edition Jan. 2003.*

Karl Storz Advertising Literature—Storz The World of Endoscopy, Gynecology, 4th Edition Jan. 2003.

Karl Storz Advertising Literature—Storz The World of Endoscopy, Urology, 7th Edition Jan. 2003.

* cited by examiner

Primary Examiner—Ian Simmons

Assistant Examiner—Carissa C. Fitts

(74) *Attorney, Agent, or Firm*—St. Onge Steward Johnston & Reens LLC

(57) CLAIM

The ornamental design for a medical instrument, as shown and described in the drawings.

DESCRIPTION

FIG. 1 is a front perspective view of a medical instrument in accordance with the new design;

FIG. 2 is a front view thereof;

FIG. 3 is a rear view thereof;

FIG. 4 is a top view thereof;

FIG. 5 is a bottom view thereof;

FIG. 6 right side view thereof; and,

FIG. 7 left side view thereof.

1 Claim, 7 Drawing Sheets

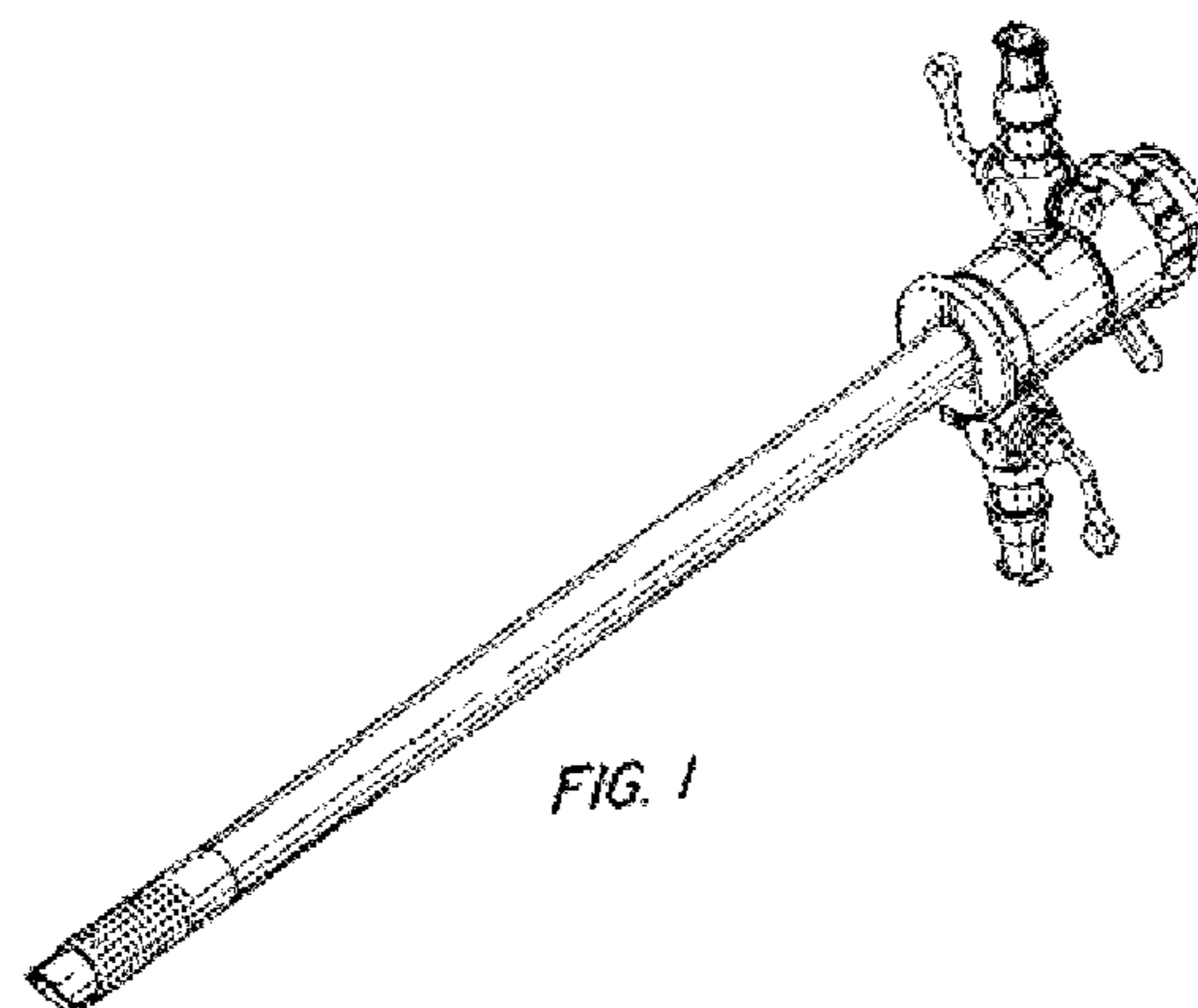


FIG. 1

U.S. Patent

Jul. 15, 2008

Sheet 1 of 7

D573,257 S

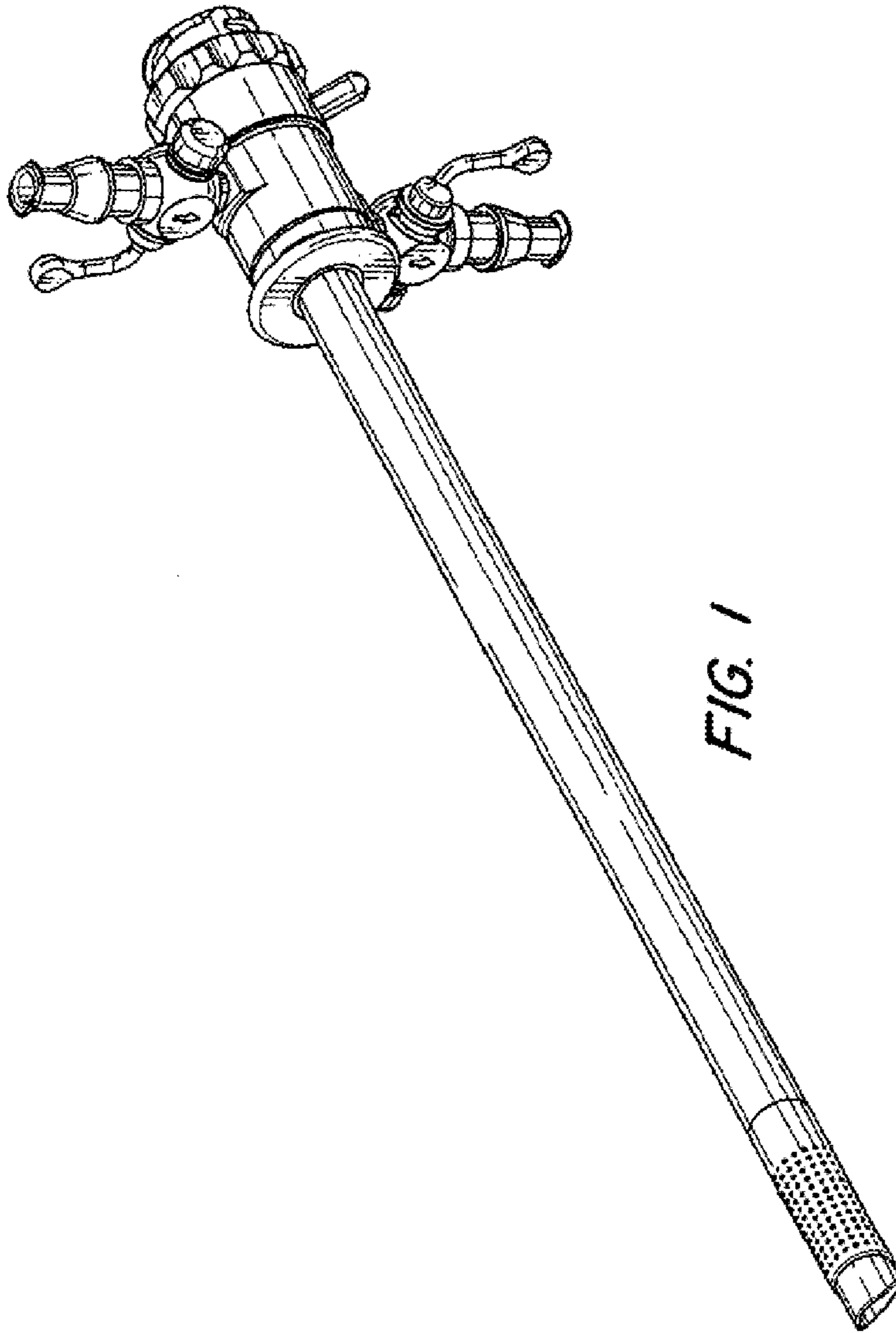


FIG. 1

U.S. Patent

Jul. 15, 2008

Sheet 2 of 7

D573,257 S

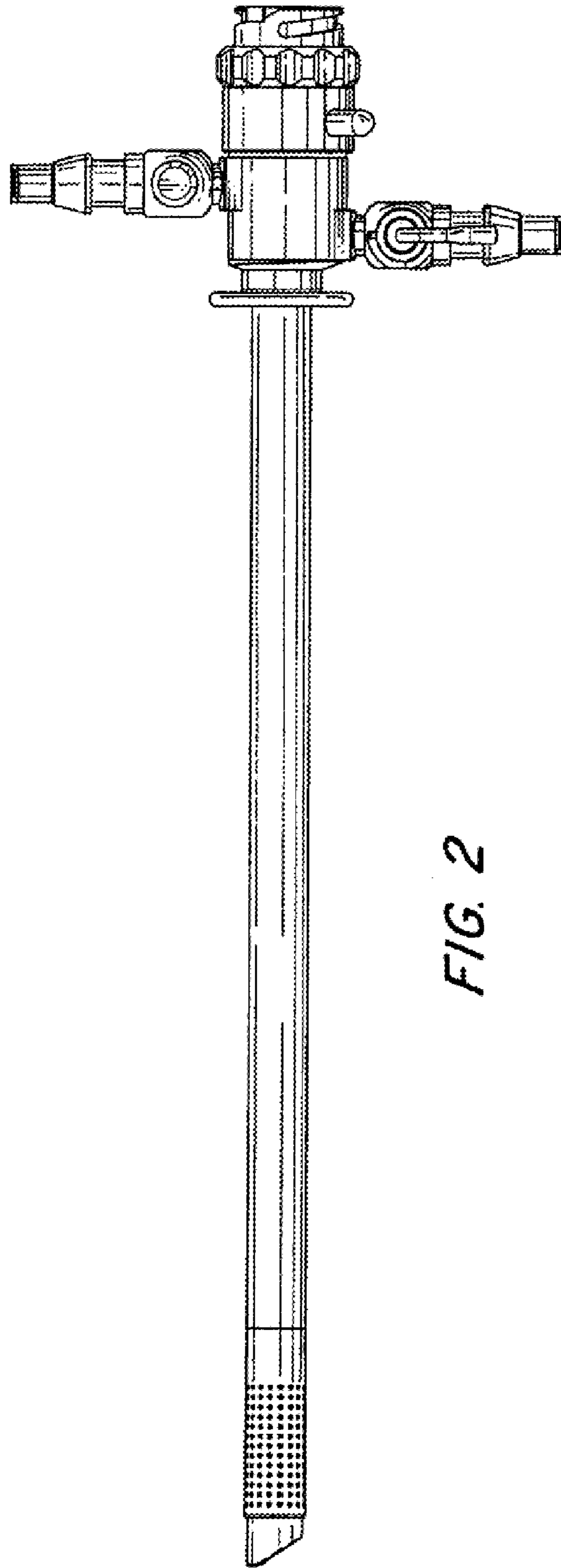


FIG. 2

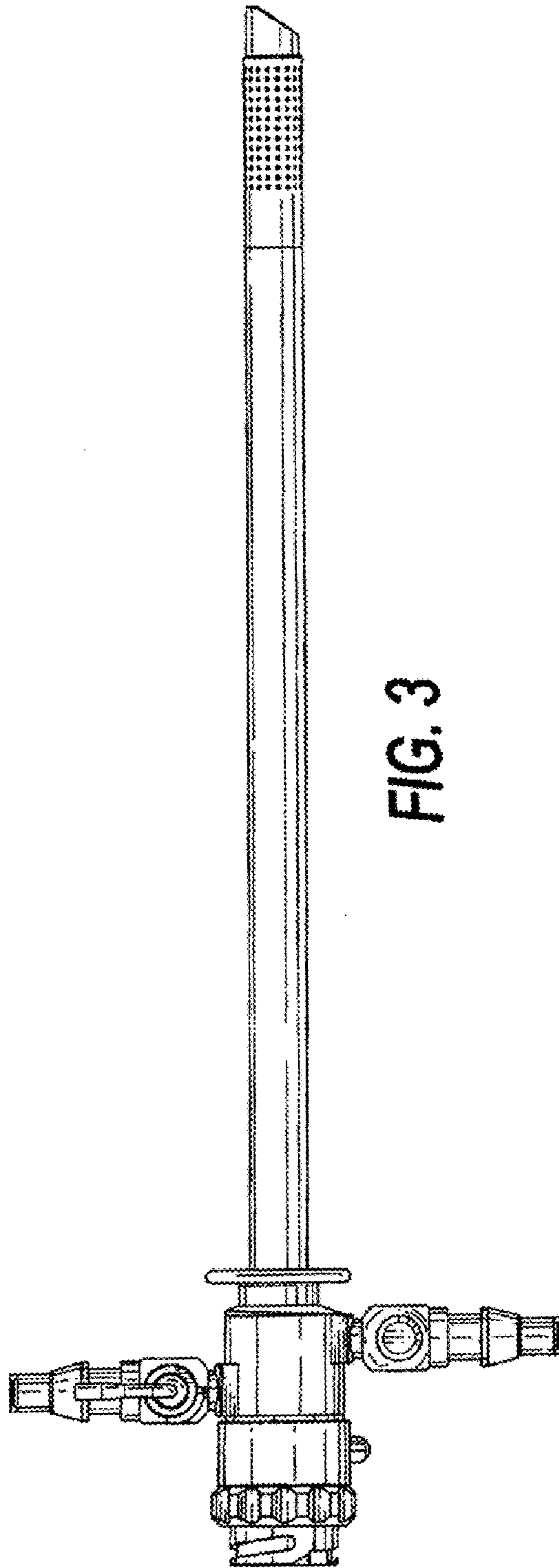


FIG. 3

U.S. Patent

Jul. 15, 2008

Sheet 4 of 7

D573,257 S

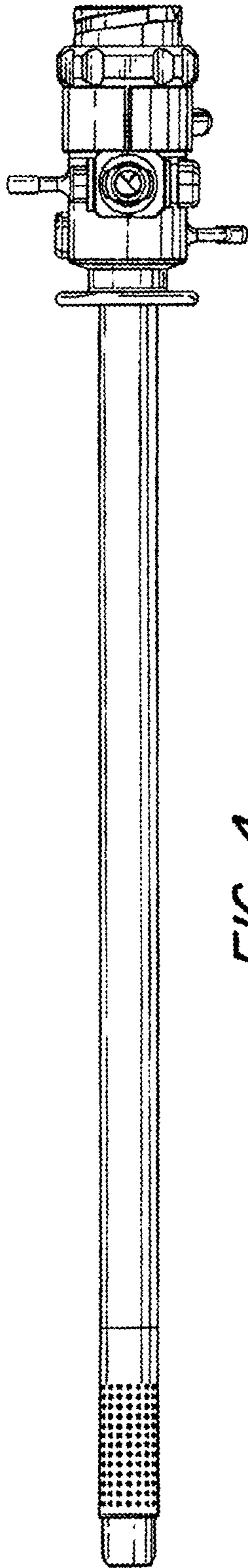


FIG. 4

U.S. Patent

Jul. 15, 2008

Sheet 5 of 7

D573,257 S

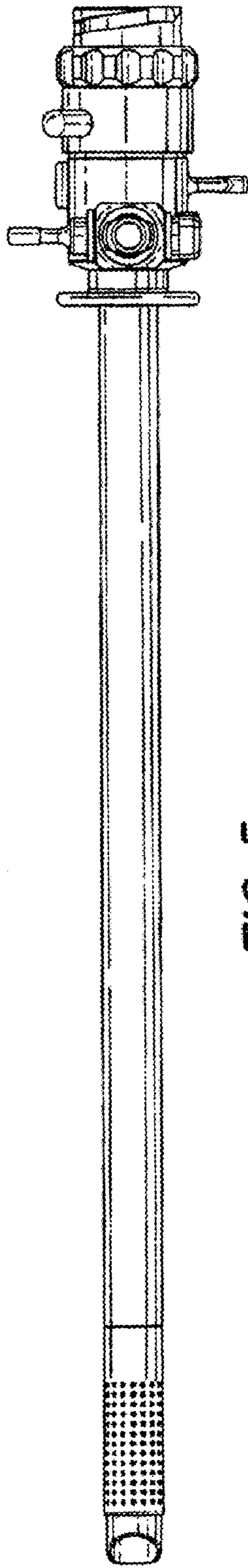


FIG. 5

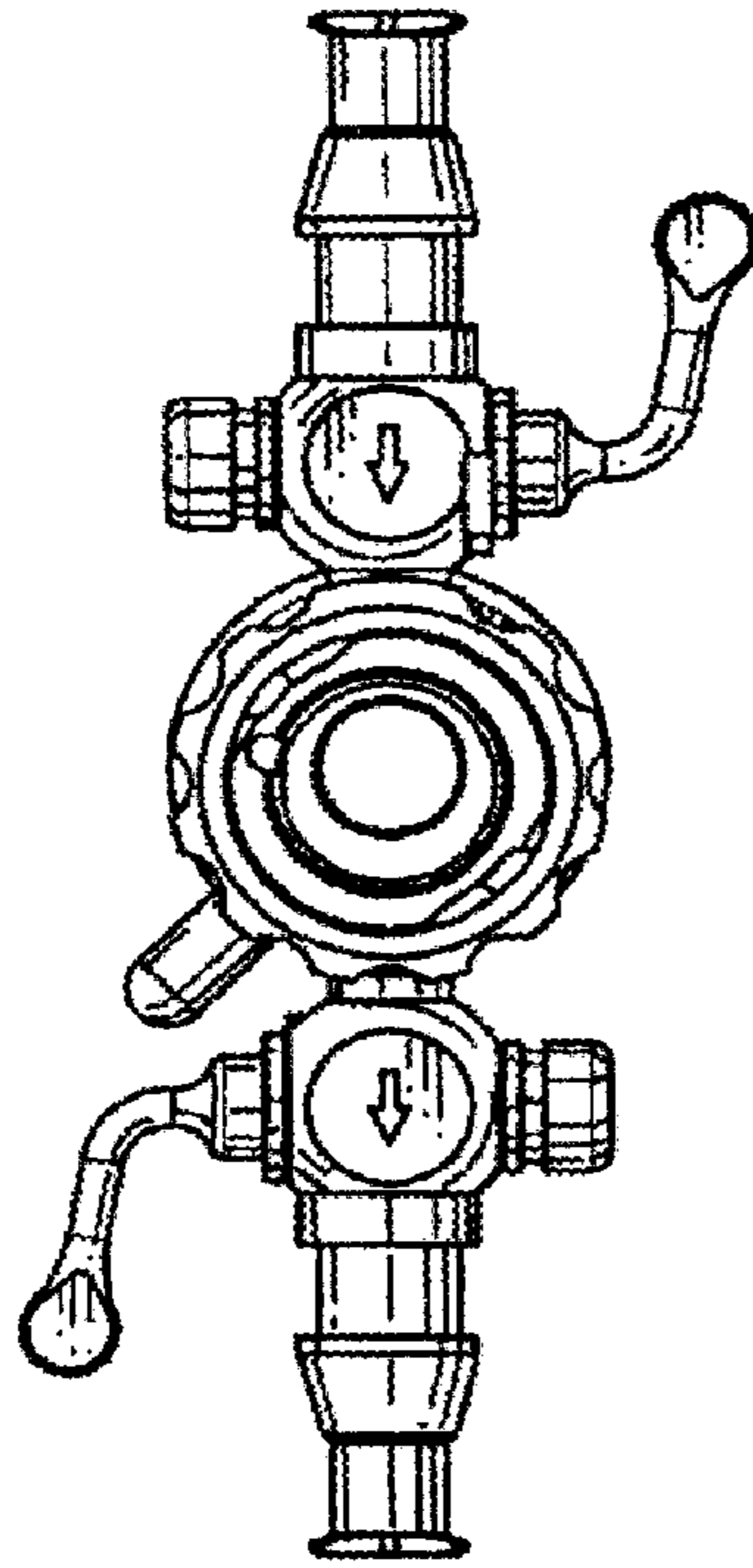


FIG. 6

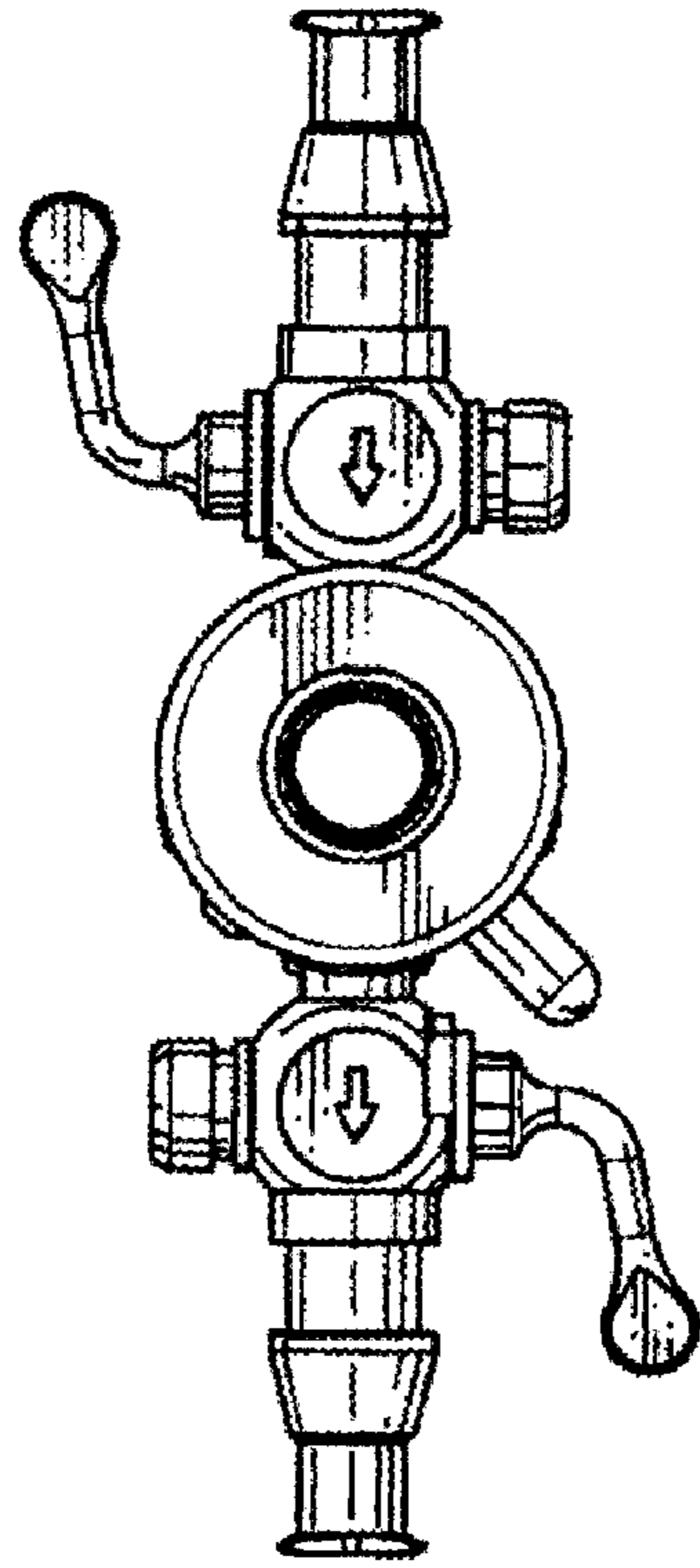


FIG. 7