



US00D573255S

(12) **United States Design Patent**
Stephens

(10) **Patent No.:** **US D573,255 S**
(45) **Date of Patent:** **** Jul. 15, 2008**

- (54) **CATHETER INFORMATION CLIP**
- (75) Inventor: **John Stephens**, Perkiomenville, PA (US)
- (73) Assignee: **Medical Components, Inc.**,
Harleysville, PA (US)
- (**) Term: **14 Years**
- (21) Appl. No.: **29/294,398**
- (22) Filed: **Jan. 9, 2008**

5,407,109 A 4/1995 Zuckerman
 D381,367 S 7/1997 Rashman
 5,950,883 A 9/1999 Bond et al.

(Continued)

FOREIGN PATENT DOCUMENTS

GB 2042131 9/1980

Related U.S. Application Data

- (62) Division of application No. 29/269,422, filed on Nov. 30, 2006, now Pat. No. Des. 565,729.

- (51) **LOC (8) Cl.** **24-02**
- (52) **U.S. Cl.** **D24/128**
- (58) **Field of Classification Search** D24/127,
D24/128, 129, 133, 143; D8/394-396; D20/22;
40/299.01, 300, 306, 309, 316, 321, 334,
40/633, 666

See application file for complete search history.

(56) **References Cited**

U.S. PATENT DOCUMENTS

D31,083 S	6/1899	Seng
1,580,649 A	4/1926	Christiansen
2,094,796 A	10/1937	Kahn
3,068,600 A	12/1962	Blanchet
4,256,132 A	3/1981	Gunter
4,378,648 A	4/1983	Loof et al.
4,429,852 A	2/1984	Tersteegen et al.
D273,993 S	5/1984	Schulte et al.
4,497,124 A	2/1985	Olive
4,775,121 A	10/1988	Carty
4,876,810 A	10/1989	Piana et al.
5,035,399 A	7/1991	Rantanen-Lee
5,138,784 A	8/1992	Niwa
5,203,056 A	4/1993	Funk et al.
5,275,282 A	1/1994	Ross et al.
5,281,228 A	1/1994	Wolfson
5,309,604 A	5/1994	Poulsen
5,316,246 A	5/1994	Scott et al.

Primary Examiner—Louis S Zarfaz
Assistant Examiner—Eric L Goodman
 (74) *Attorney, Agent, or Firm*—Anton P. Ness; Fox
 Rothschild, LLP

(57) **CLAIM**

The ornamental design for a catheter information clip, as shown and described.

DESCRIPTION

FIG. 1 is an isometric view of a catheter information clip according to the present invention; a catheter is shown in broken line for illustrative purposes only and forms no part of the claimed design.

FIG. 2 is an isometric view of the catheter information clip shown in FIG. 1, alone.

FIG. 3 is a proximal view of the catheter information clip shown in FIG. 1;

FIG. 4 is a bottom view of the catheter information clip shown in FIG. 1.

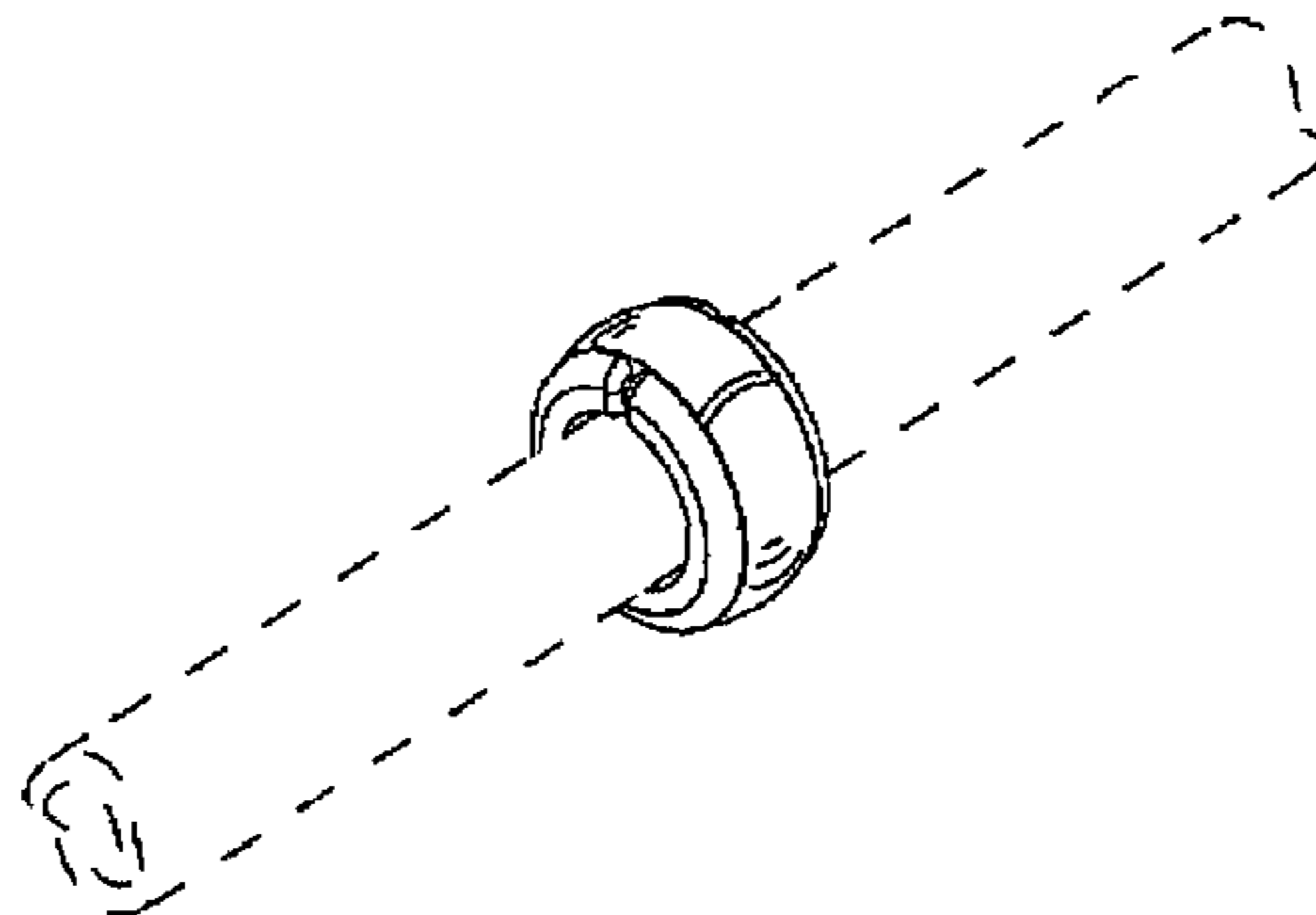
FIG. 5 is a top view of the catheter information clip shown in FIG. 1;

FIG. 6 is a right side view of the catheter information clip shown in FIG. 1; and,

FIG. 7 is a left side view of the catheter information clip shown in FIG. 1.

A catheter is shown in phantom in FIG. 1 and is not part of the invention claimed. The distal and proximal views are mirror images of each other, and only the proximal view is shown.

1 Claim, 2 Drawing Sheets



US D573,255 S

Page 2

U.S. PATENT DOCUMENTS

D414,825 S *	10/1999	Gans	D21/464	D489,452 S	5/2004	Schweikert	
5,971,436 A	10/1999	Cox		D491,265 S	6/2004	Schweikert	
5,974,708 A	11/1999	Webb et al.		D498,299 S	11/2004	Schweikert	
6,079,135 A	6/2000	Ruiz		6,823,617 B2	11/2004	Schweikert	
6,089,527 A	7/2000	Utterberg		6,929,625 B2	8/2005	Bierman	
D443,530 S *	6/2001	Mann	D10/31	D563,778 S *	3/2008	Weinacker, Jr.	D8/394
6,240,668 B1	6/2001	Clawson et al.		2003/0093932 A1	5/2003	Battaglia, Jr.	
6,464,691 B1	10/2002	Castaneda et al.		2004/0068902 A1	4/2004	Hadzic et al.	
6,491,664 B2	12/2002	Bierman		2004/0159024 A1	8/2004	Wortley et al.	
D477,776 S	7/2003	Pontaoe		2005/0044759 A1	3/2005	Schweikert	
6,651,362 B2	11/2003	Caveney		2006/0015072 A1	1/2006	Raulerson	

* cited by examiner

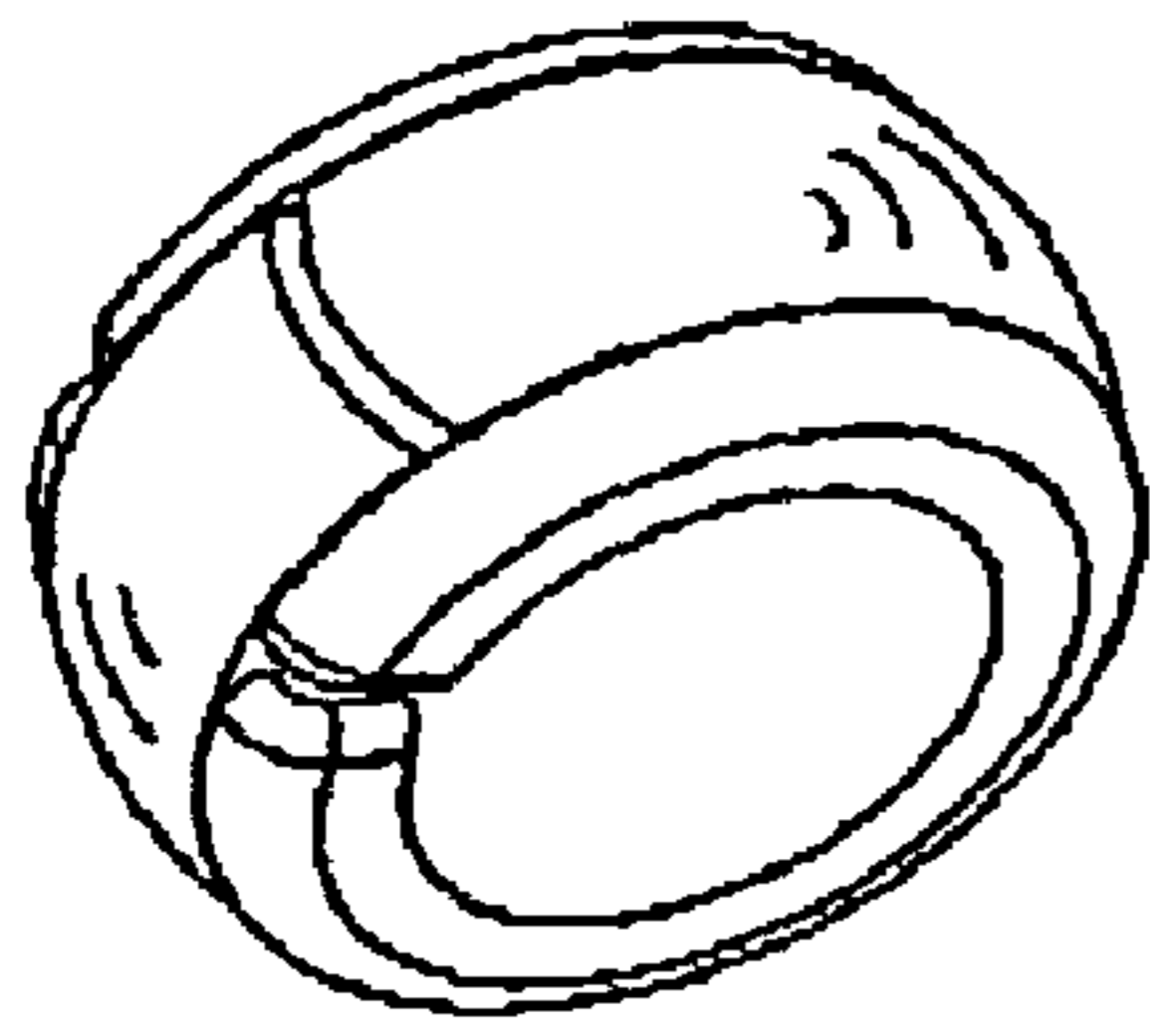


FIG. 2

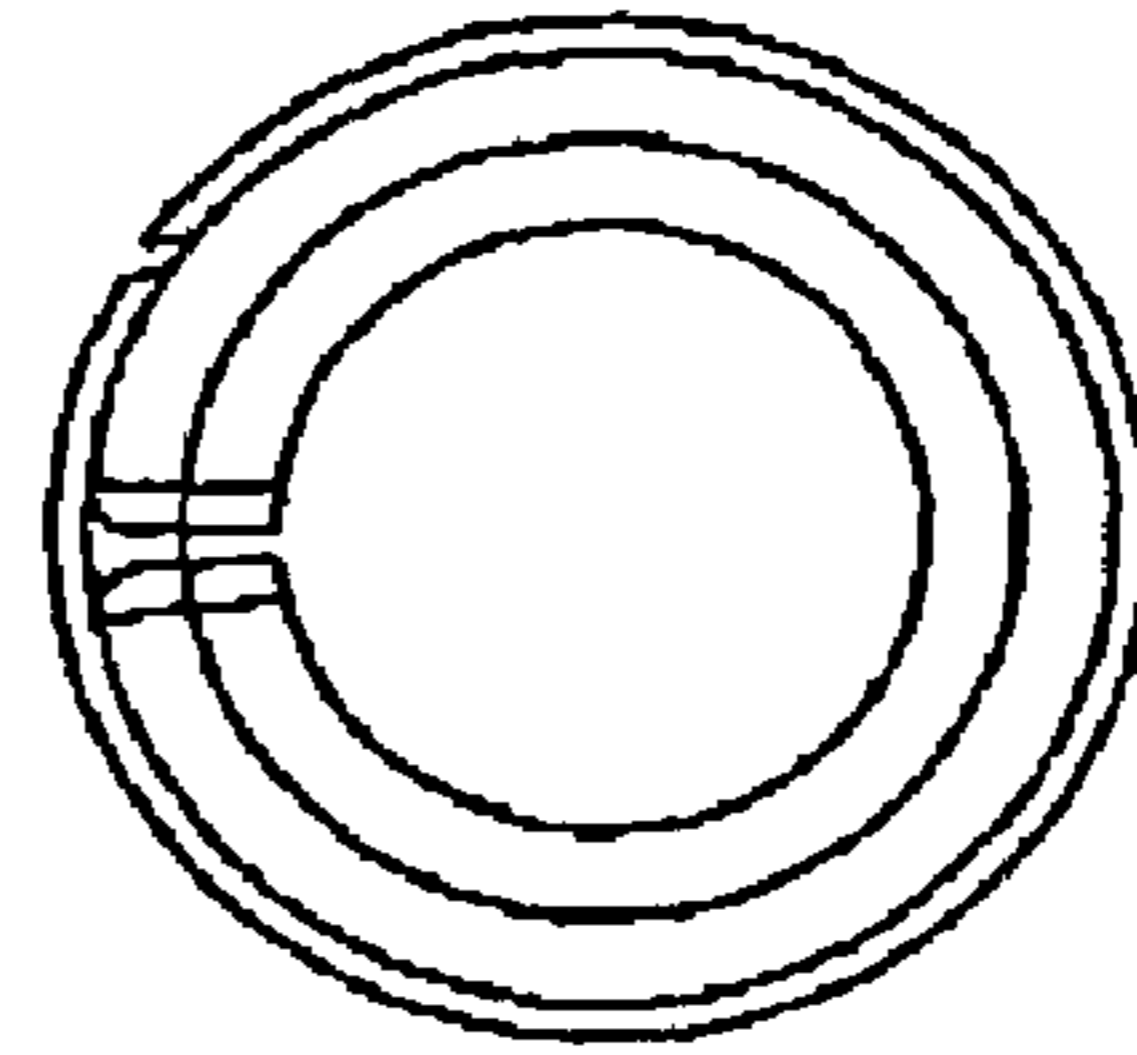


FIG. 3

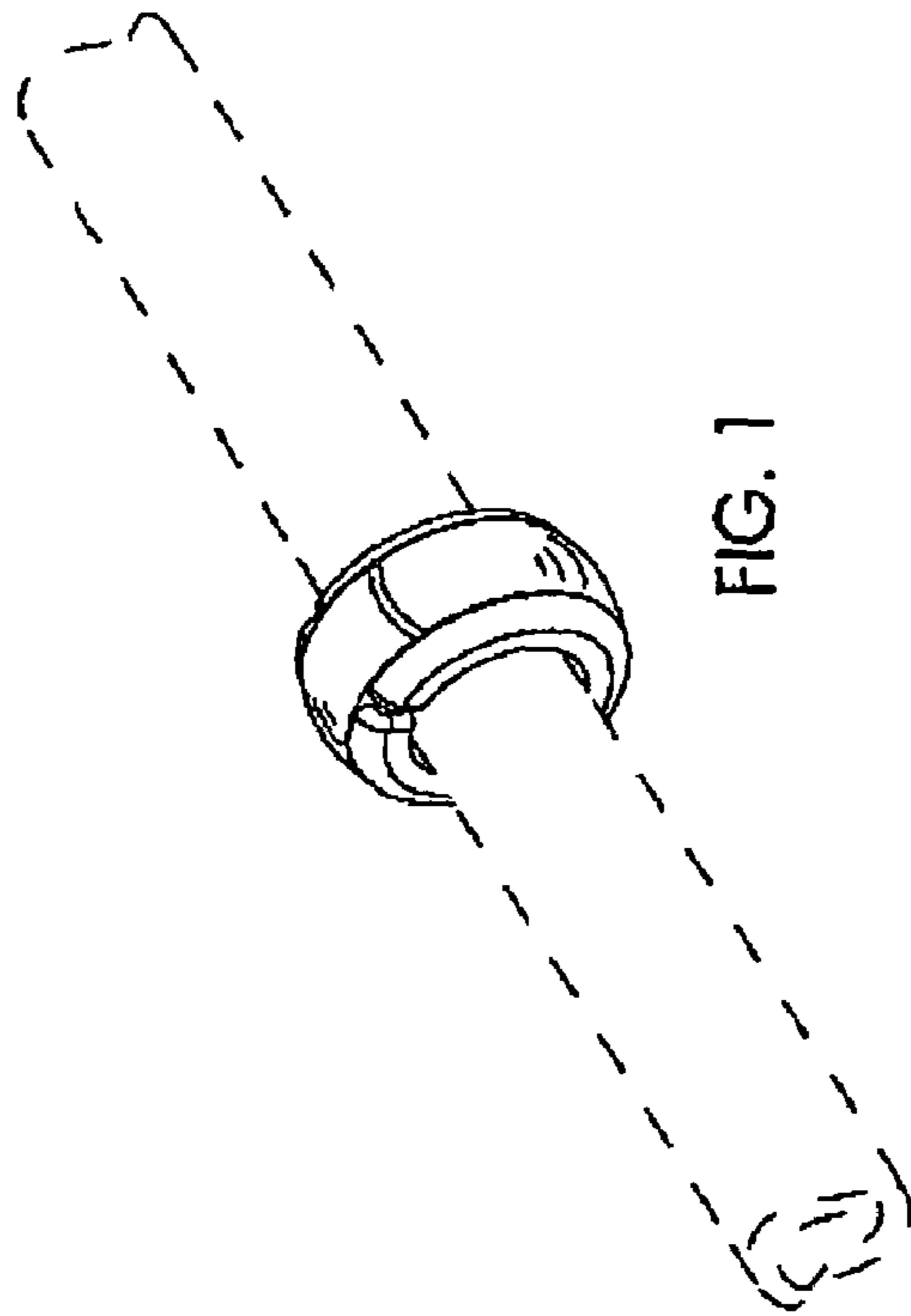


FIG. 1

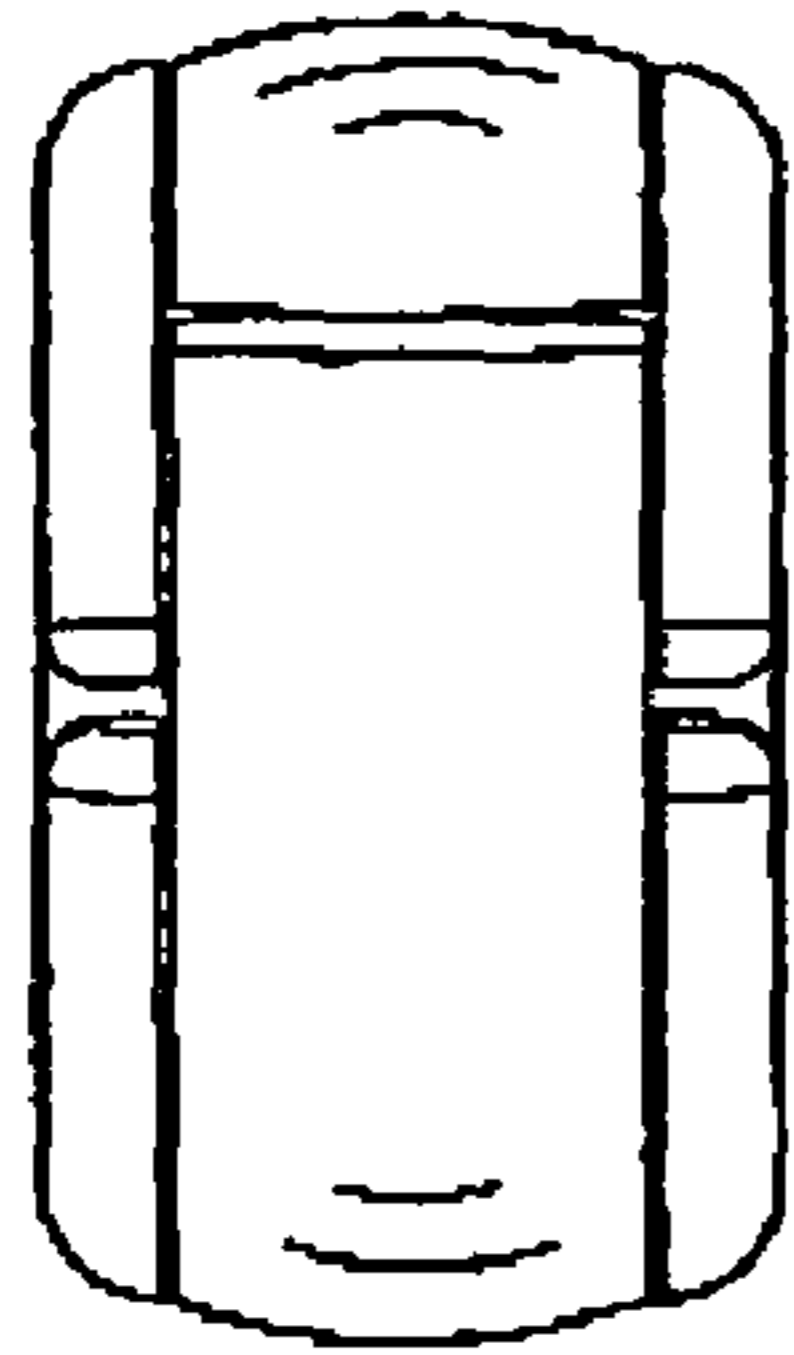


FIG. 4

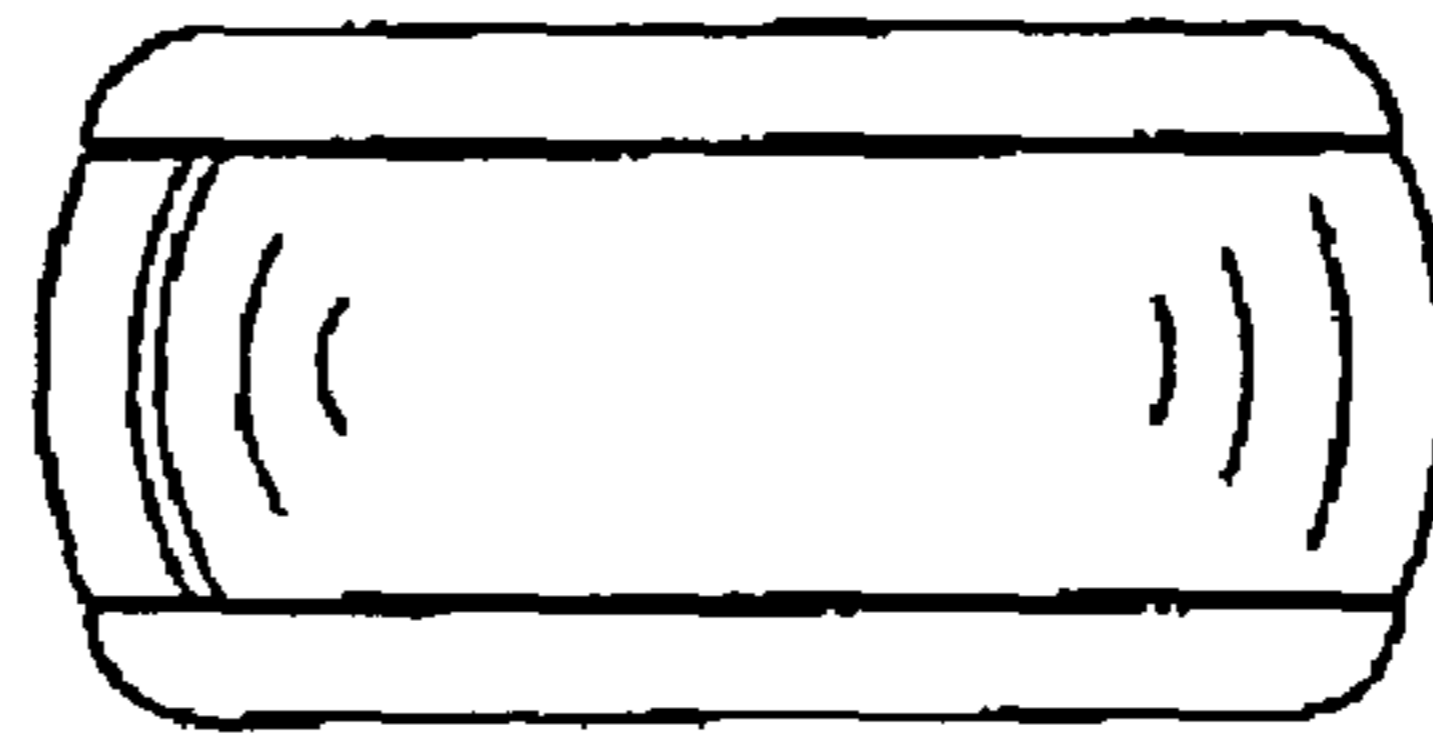


FIG. 7

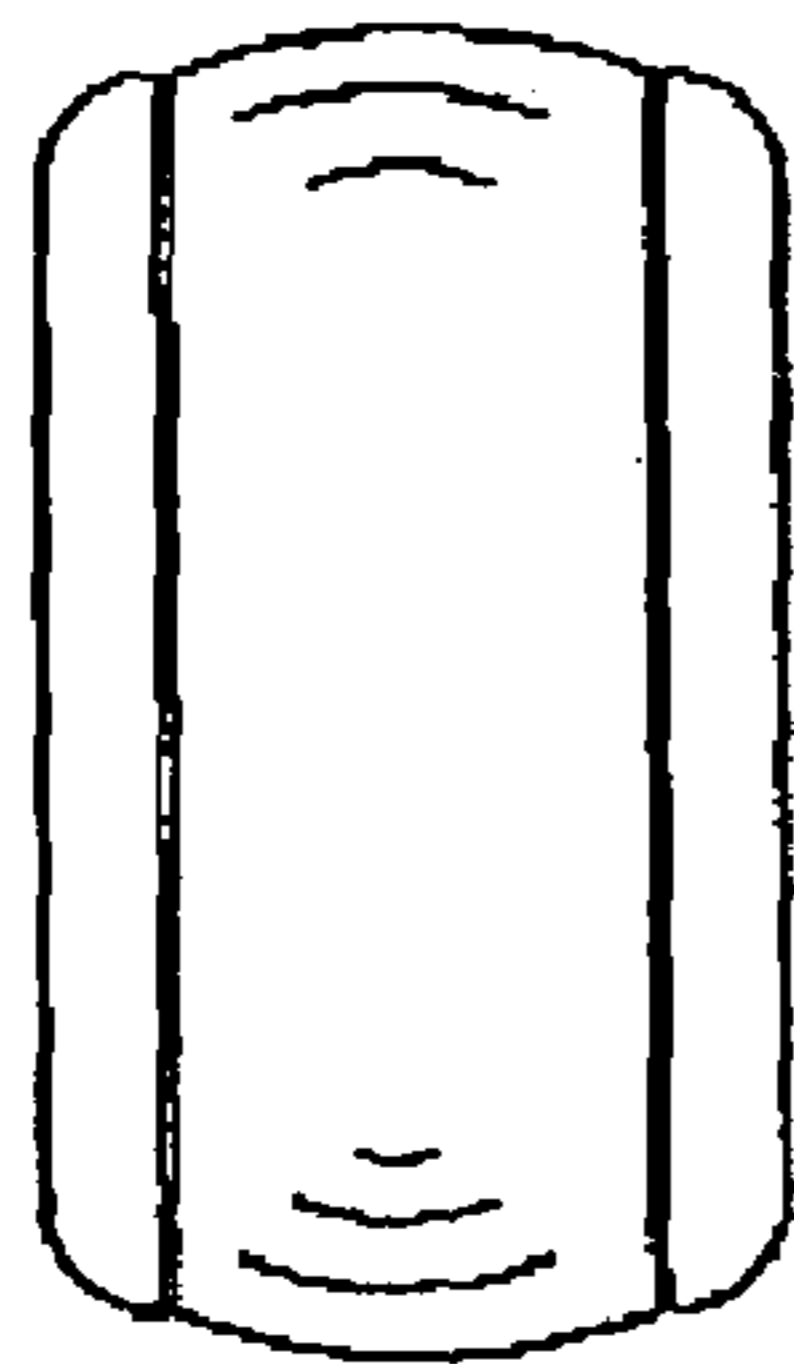


FIG. 5

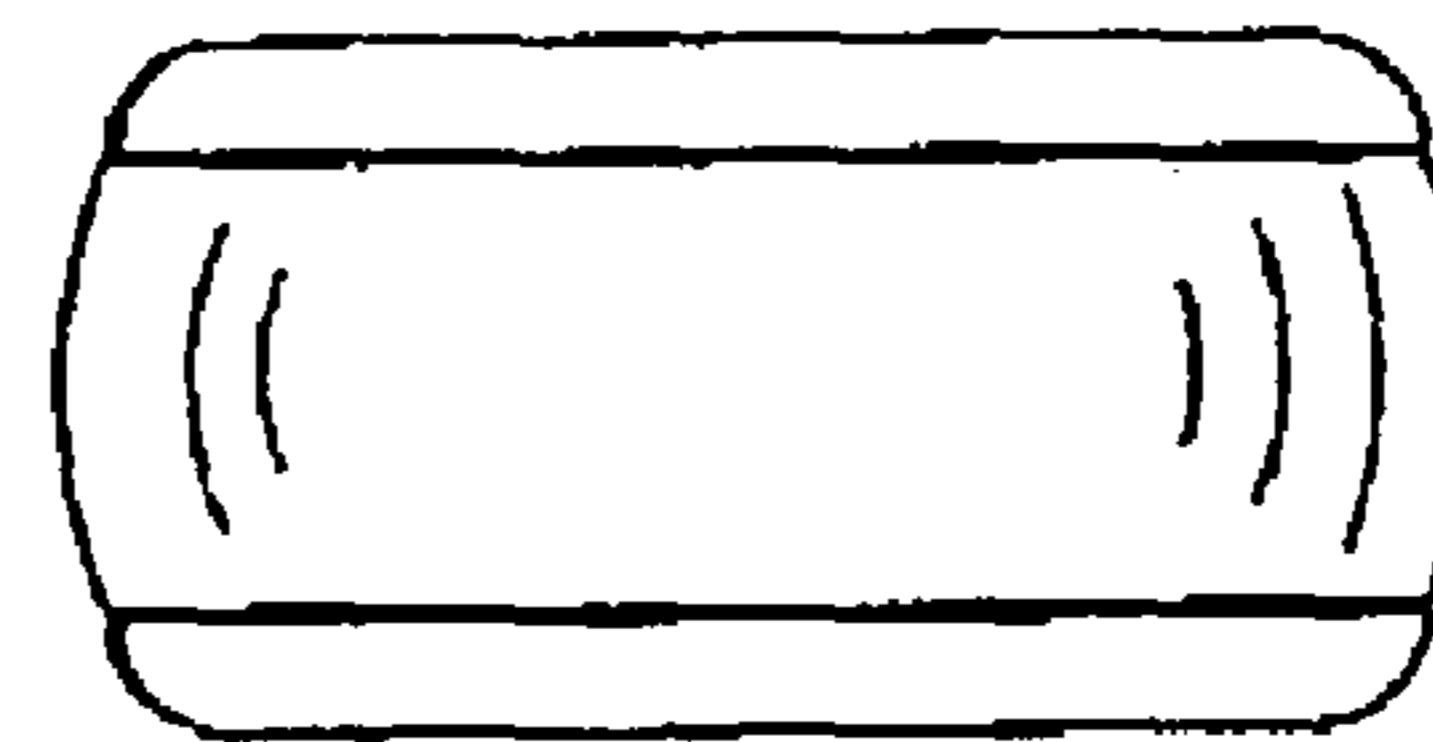


FIG. 6