



US00D573253S

(12) **United States Design Patent**
Gonzales et al.

(10) **Patent No.:** **US D573,253 S**
(45) **Date of Patent:** **** Jul. 15, 2008**

(54) **MEDICANT DISPENSER**
(75) Inventors: **Gilbert Gonzales**, New York, NY (US);
Jacob Griggs, Union, KY (US); **Joel Ira Ivers**, Cincinnati, OH (US)

(73) Assignee: **Drug Enhancement Company of America, LLC**, Union, KY (US)

(**) Term: **14 Years**

(21) Appl. No.: **29/296,922**

(22) Filed: **Oct. 31, 2007**

(51) **LOC (8) Cl.** **24-02**

(52) **U.S. Cl.** **D24/113**

(58) **Field of Classification Search** D24/114,
D24/112, 133, 113, 186, 104, 130, 146; 606/181,
606/185; 604/232, 187, 290; D19/51, 41,
D19/43, 50, 57, 56, 55; 222/153.11, 183,
222/325, 402.11, 175; D22/117, 120; D9/686,
D9/688-691; D28/91.1

See application file for complete search history.

(56) **References Cited**

U.S. PATENT DOCUMENTS

5,938,642 A * 8/1999 Burroughs et al. 604/232
D422,359 S * 4/2000 Fitch et al. D24/133
D462,760 S * 9/2002 Ahlgrim et al. D24/114
D493,532 S * 7/2004 Levaughn et al. D24/146

D522,579 S * 6/2006 Sim 19/51
D529,088 S * 9/2006 Gnesin D19/51
D550,363 S * 9/2007 Hannant et al. D24/186
D551,341 S * 9/2007 Galbraith D24/114
D562,977 S * 2/2008 Forlenza et al. D24/133
D567,939 S * 4/2008 Mattigka D24/114
D568,473 S * 5/2008 Ashiwa et al. D24/146
2007/0241134 A1 * 10/2007 Gurrise t al. 222/153.11
2008/0047977 A1 * 2/2008 Larsen et al. 222/175

* cited by examiner

Primary Examiner—Louis S Zarfaz

Assistant Examiner—David G Muller

(74) *Attorney, Agent, or Firm*—Seth D. Levy; Davis Wright Tremaine LLP

(57) **CLAIM**

The ornamental design for a medicant dispenser, as shown.

DESCRIPTION

FIG. 1 is a perspective view of a medicant dispenser of the present invention;

FIG. 2 is a front view thereof;

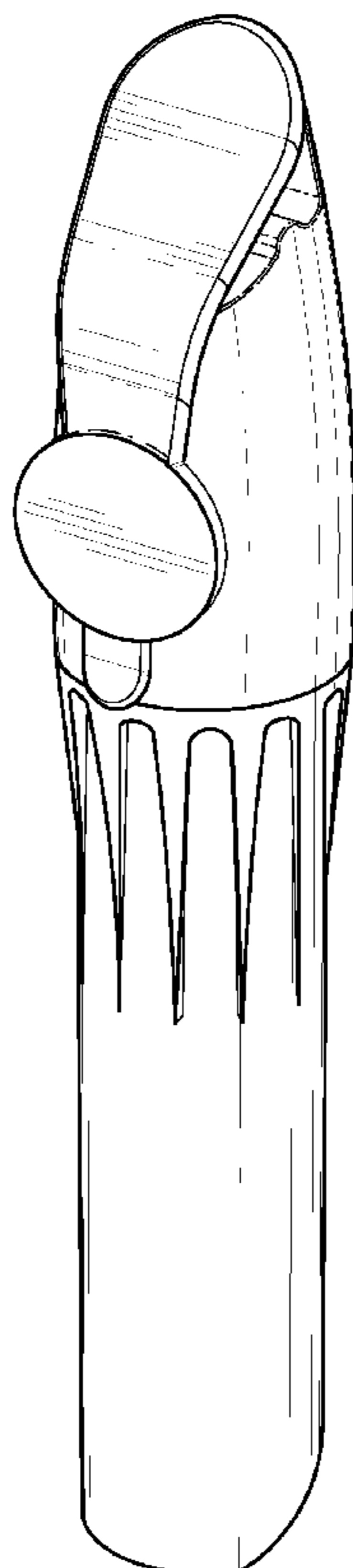
FIG. 3 is a side view thereof;

FIG. 4 is a rear view thereof;

FIG. 5 is a top view thereof; and,

FIG. 6 is a bottom view thereof.

1 Claim, 5 Drawing Sheets



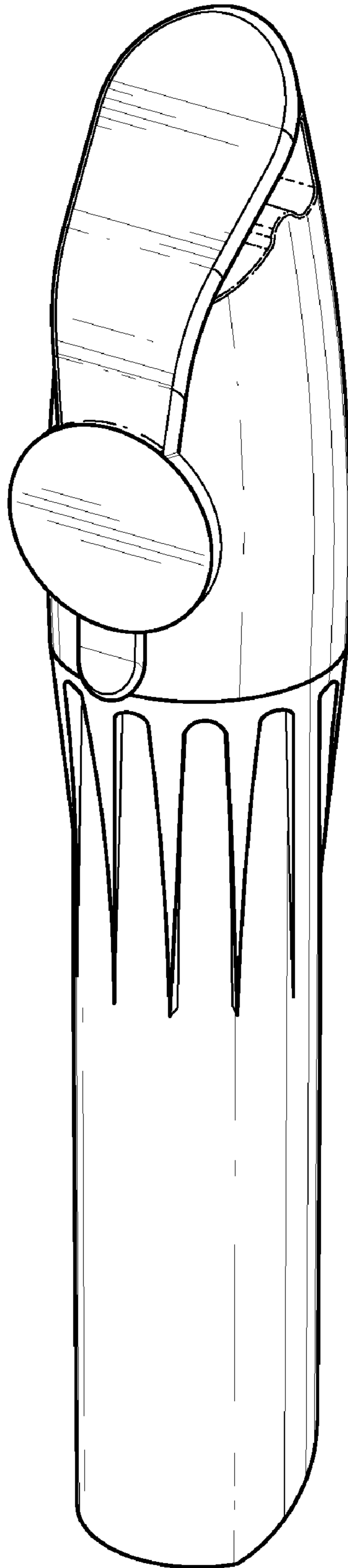


FIG. 1

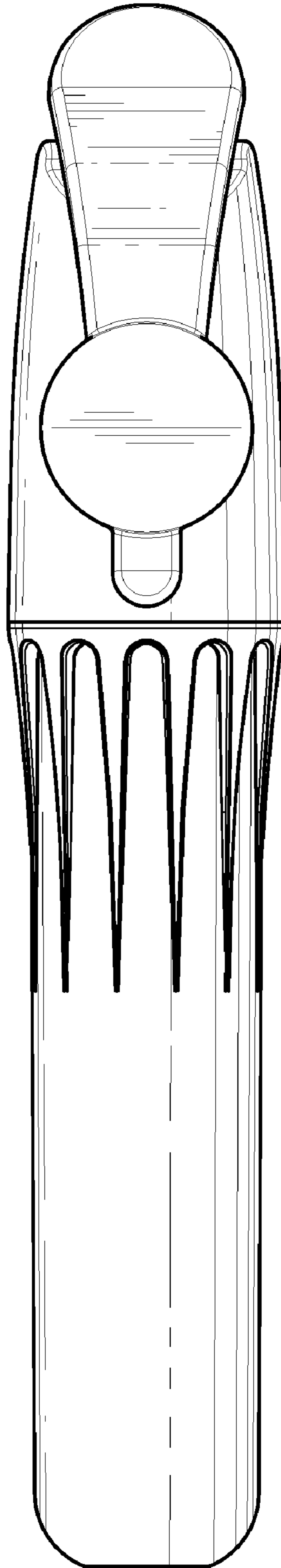


FIG. 2

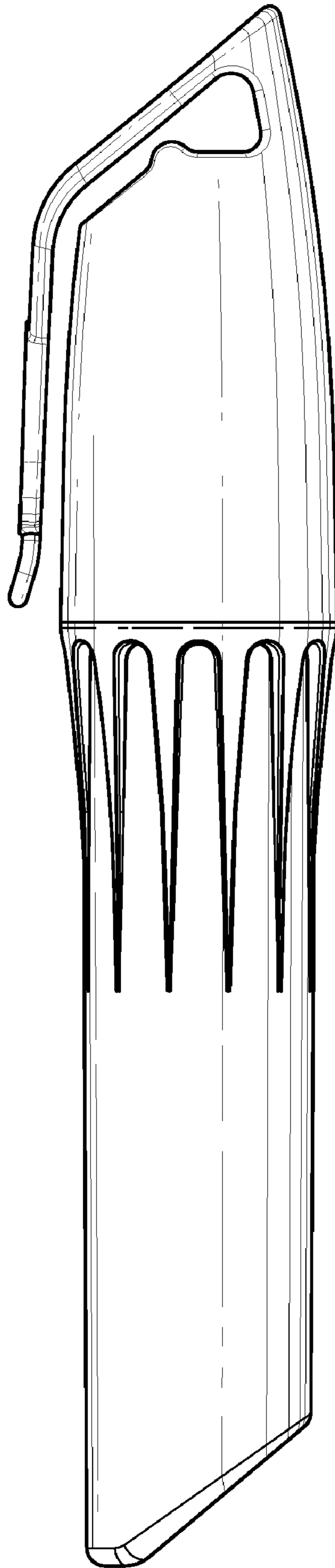


FIG. 3

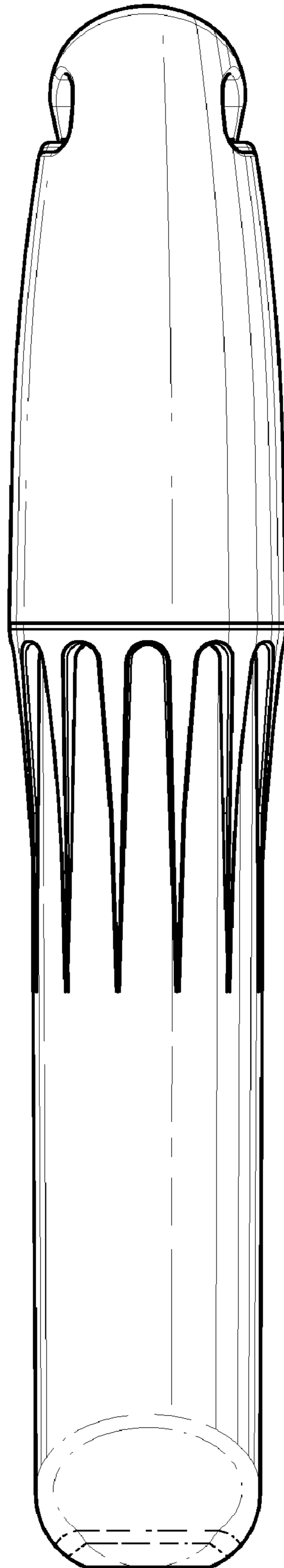


FIG. 4

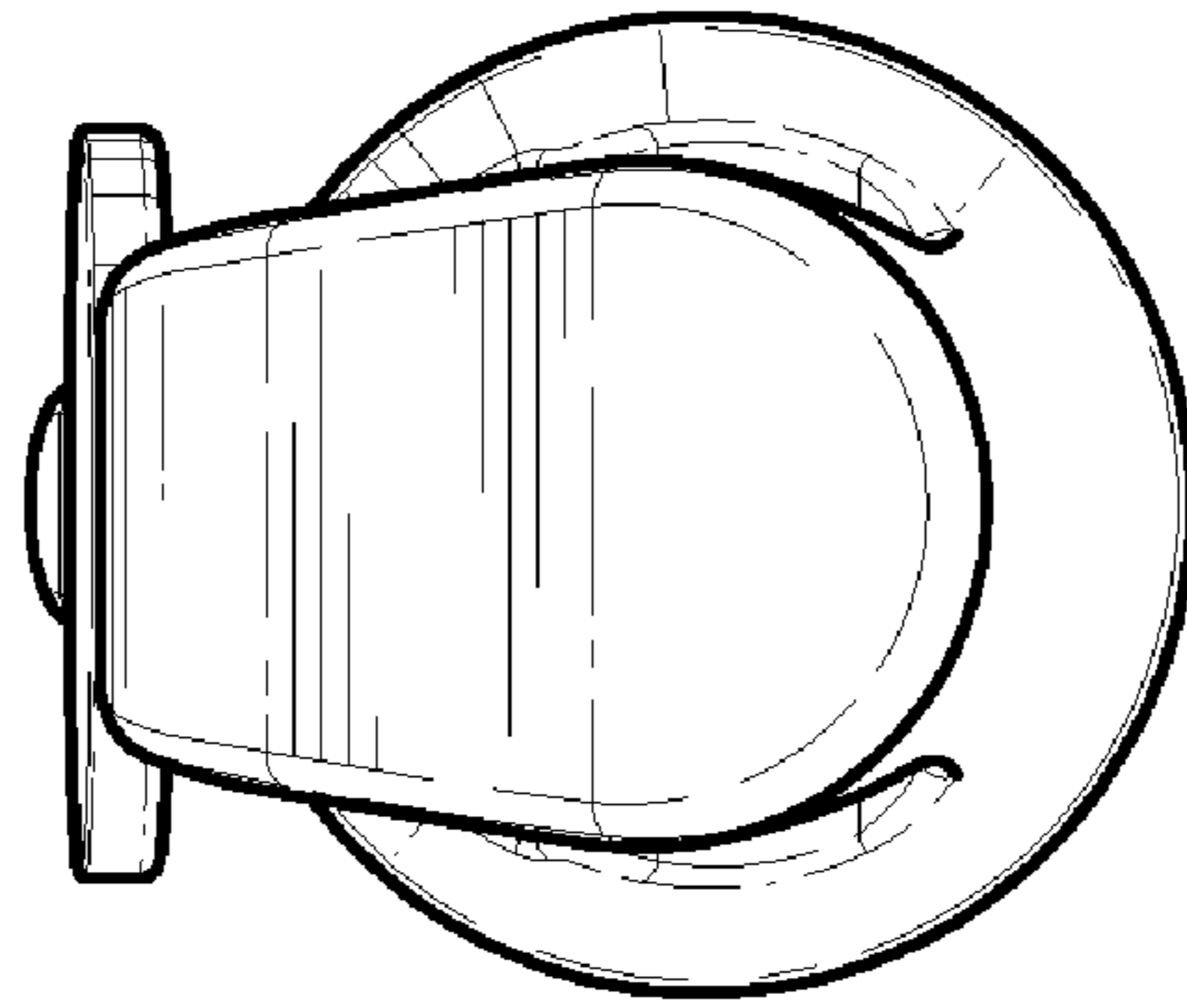


FIG. 5

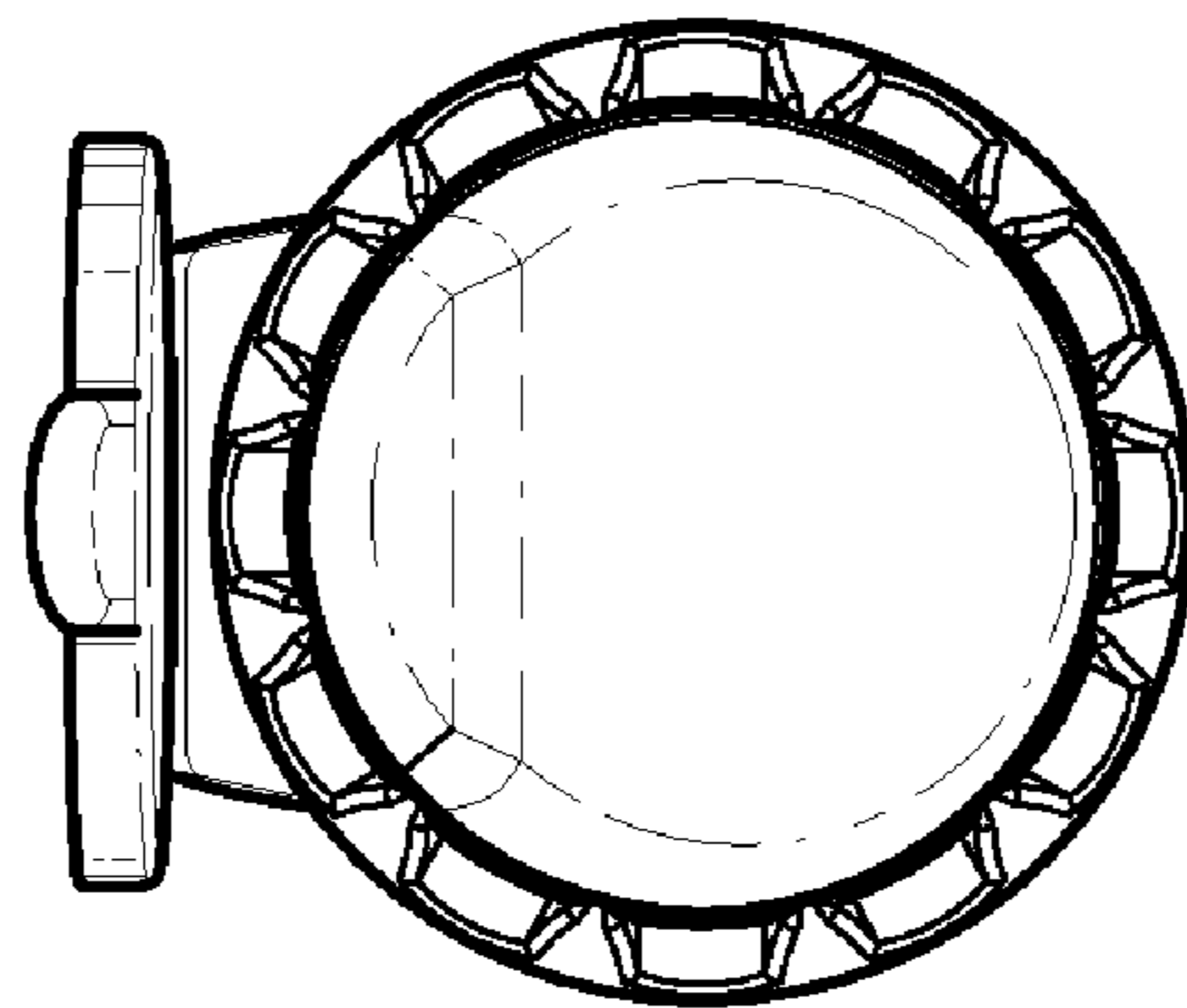


FIG. 6