

US00D573252S

(12) **United States Design Patent**
Peretti et al.

(10) **Patent No.:** **US D573,252 S**
(45) **Date of Patent:** **** Jul. 15, 2008**

(54) **MEDICAL INSTRUMENT**

(75) Inventors: **Giorgio Peretti**, Brescia (IT); **Danilo Melis**, Tuttlingen (DE); **Karl Heinz Haunschild**, Muehlheim (DE)

(73) Assignee: **Karl Storz GmbH & Co. KG** (DE)

(**) Term: **14 Years**

(21) Appl. No.: **29/261,824**

(22) Filed: **Jun. 21, 2006**

(51) **LOC (8) Cl.** **24-02**

(52) **U.S. Cl.** **D24/113**

(58) **Field of Classification Search** D24/112-114,
D24/130, 133, 186, 146-148, 138; 606/181,
606/185, 174, 48, 142, 167; 604/232, 187,
604/163, 207, 208, 227, 229; 600/564

See application file for complete search history.

(56) **References Cited**

U.S. PATENT DOCUMENTS

- 4,014,331 A * 3/1977 Head 604/187
- 4,282,884 A * 8/1981 Boebel 600/564
- D272,855 S * 2/1984 Bel et al. D24/138
- 4,590,936 A * 5/1986 Straub et al. 606/174
- 4,836,205 A * 6/1989 Barrett 606/185
- D338,065 S * 8/1993 Rose D24/146
- 5,273,519 A * 12/1993 Koros et al. 606/185
- D350,606 S * 9/1994 Koros et al. D24/146
- D354,563 S * 1/1995 Holmes et al. D24/146
- D362,908 S * 10/1995 Shutt et al. D24/146
- D366,525 S * 1/1996 Toy et al. D24/147
- D370,064 S * 5/1996 Livneh D24/146
- 6,334,860 B1 * 1/2002 Dorn 606/48
- D458,368 S * 6/2002 Berberich et al. D24/133
- D458,370 S * 6/2002 Berberich et al. D24/133
- D460,553 S * 7/2002 Koros et al. D24/147

- 6,440,144 B1 * 8/2002 Bacher 606/142
- D465,281 S * 11/2002 Lang D24/147
- D498,300 S * 11/2004 Karl-Heinz D24/146
- 6,896,686 B2 * 5/2005 Weber 606/185
- D535,398 S * 1/2007 Stammberger D24/146
- D536,787 S * 2/2007 Rehbein et al. D24/133
- D541,418 S * 4/2007 Schechter et al. D24/148
- D548,836 S * 8/2007 Lang et al. D24/146
- 2002/0143354 A1 * 10/2002 Lang 606/167
- 2004/0106942 A1 * 6/2004 Taylor et al. 606/185

OTHER PUBLICATIONS

Karl Storz Advertising Literature, Storz The World of Endoscopy; Endoscopes and Instruments for Ent, 7th Edition, Jan. 2004.

* cited by examiner

Primary Examiner—Louis S Zarfaz

Assistant Examiner—David G Muller

(74) *Attorney, Agent, or Firm*—St. Onge Steward Johnston & Reens LLC

(57) **CLAIM**

The ornamental design for a medical instrument, as shown and described.

DESCRIPTION

FIG. 1 is a left hand and bottom perspective view of a medical instrument in accordance with the new design;

FIG. 2 is a left side and bottom perspective view thereof;

FIG. 3 is a right side and bottom perspective view thereof;

FIG. 4 is a top and right side perspective view thereof;

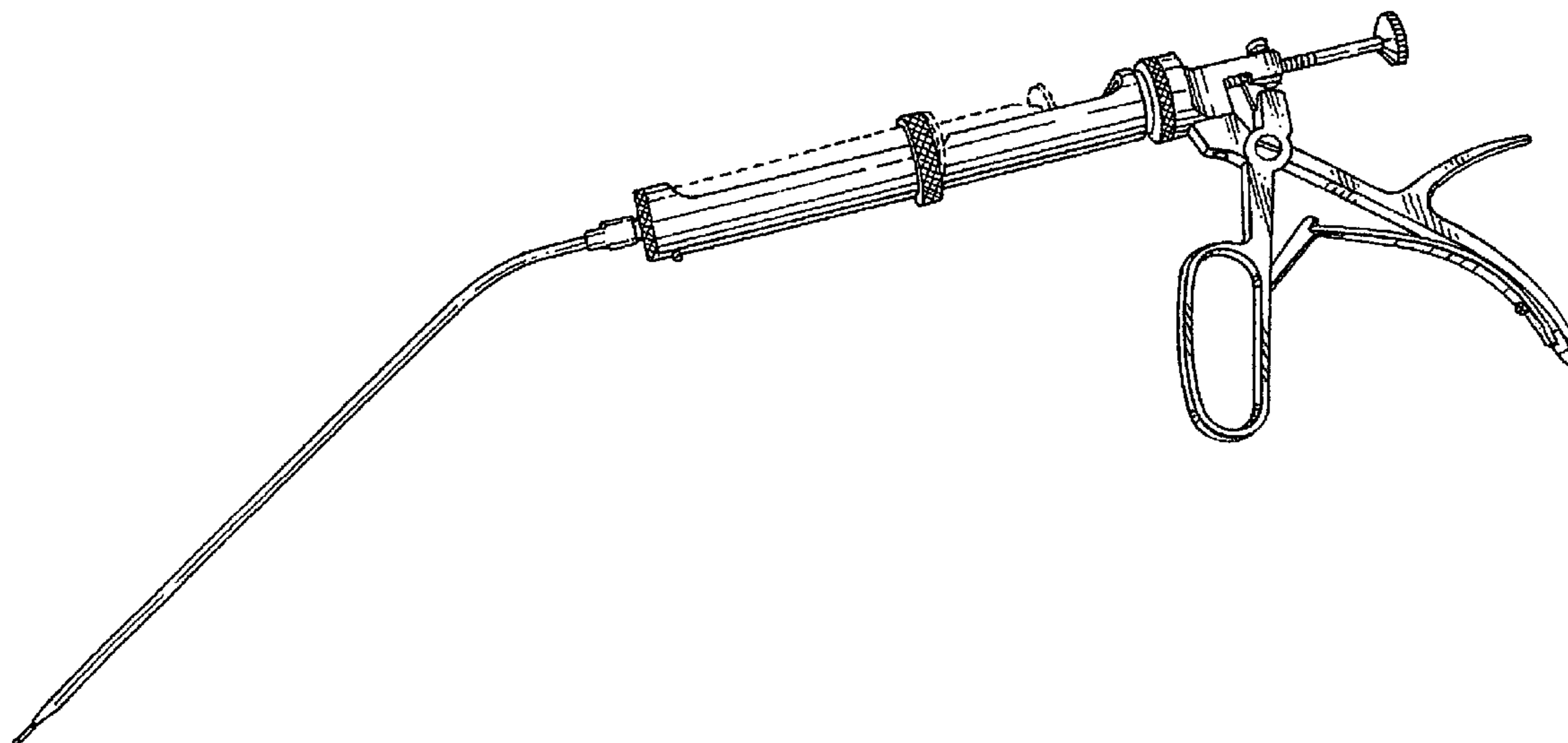
FIG. 5 is a bottom and right side perspective view thereof;

FIG. 6 is a front and top perspective view thereof;

FIG. 7 is a rear and top perspective view thereof; and,

FIG. 8 is a side view thereof.

1 Claim, 8 Drawing Sheets



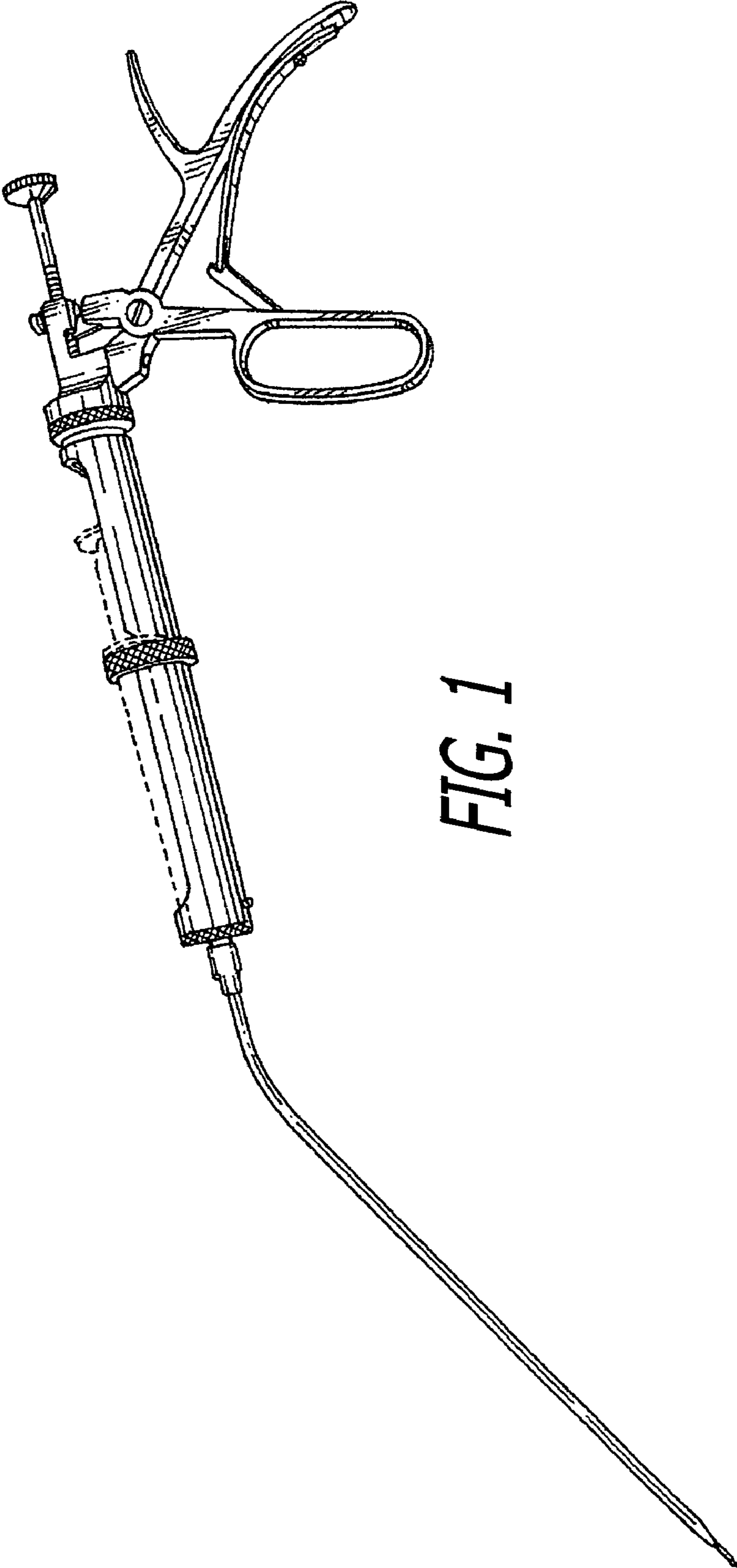


FIG. 1

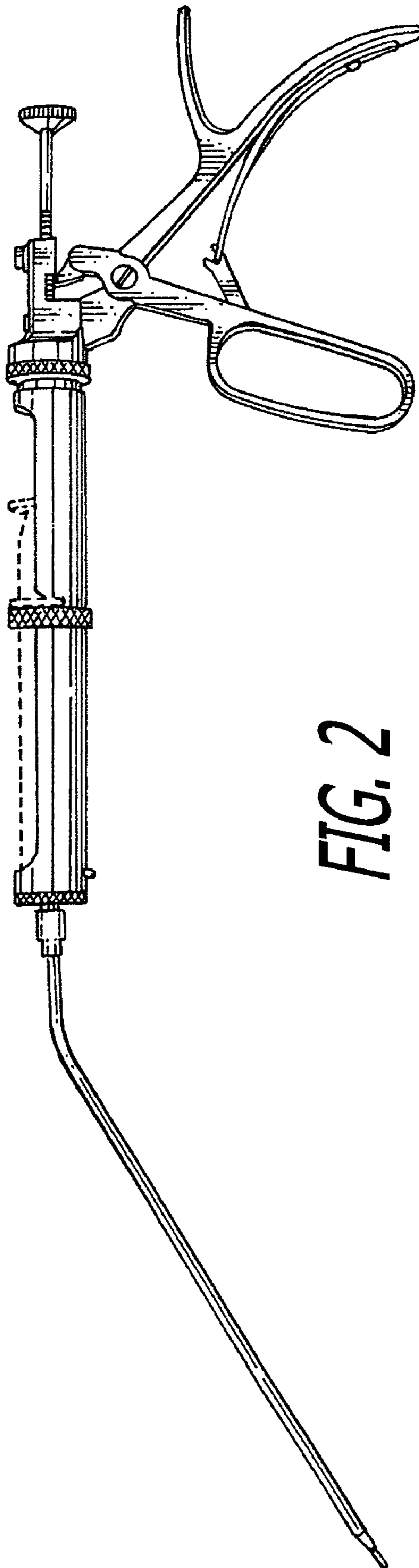


FIG. 2

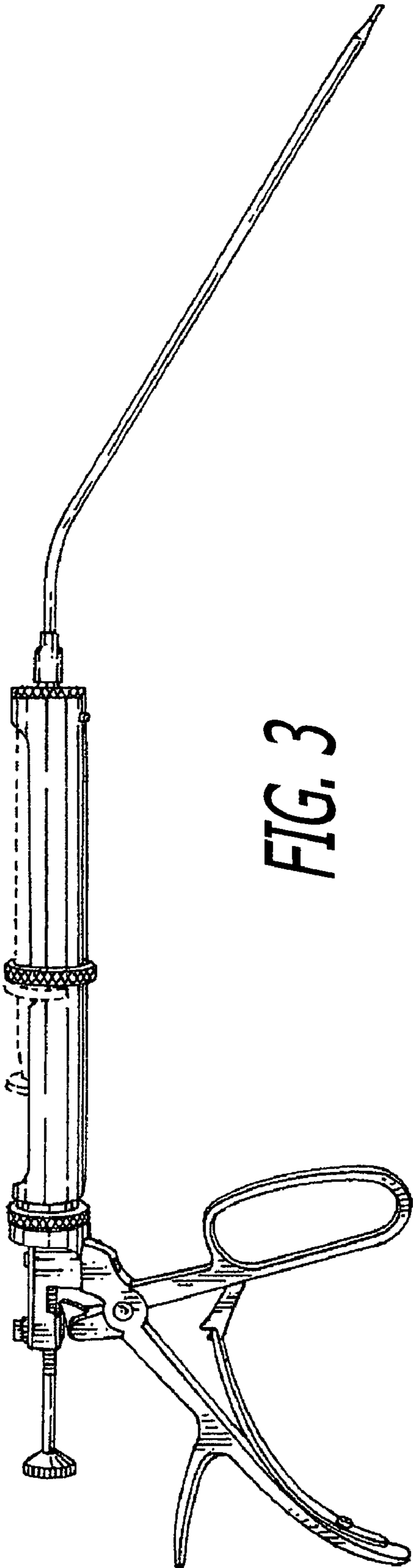


FIG. 3

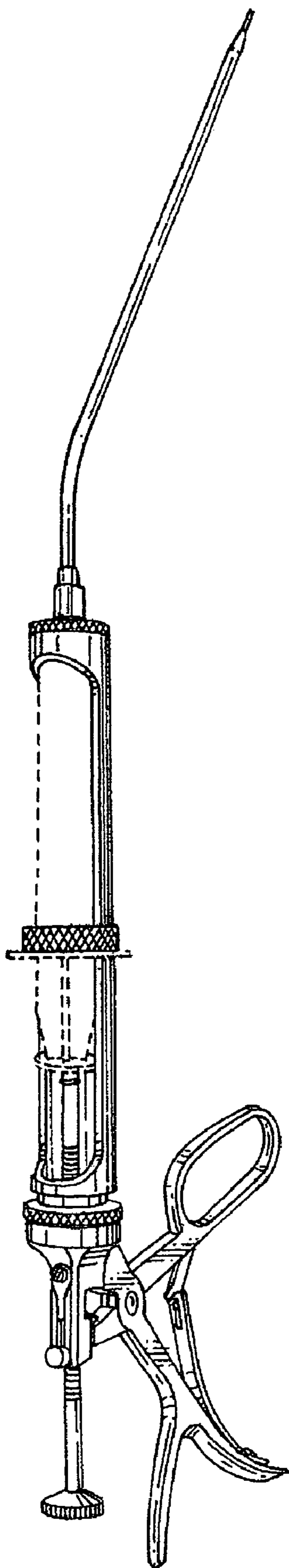


FIG. 4

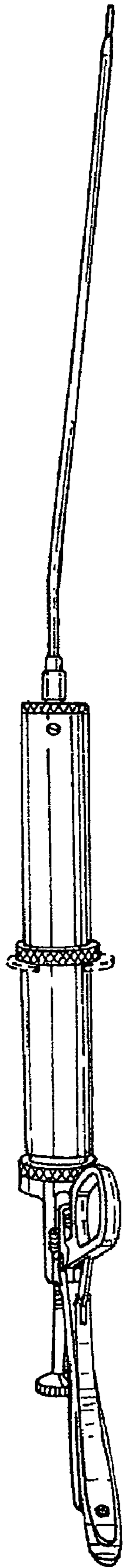


FIG. 5

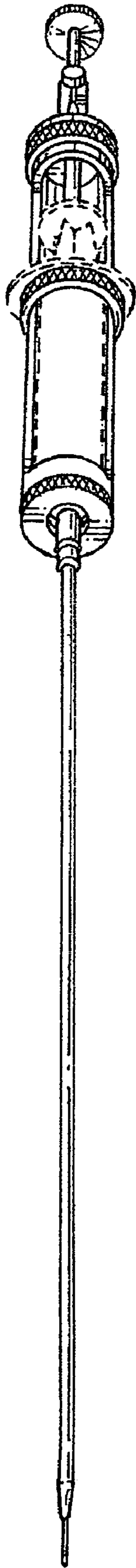


FIG. 6

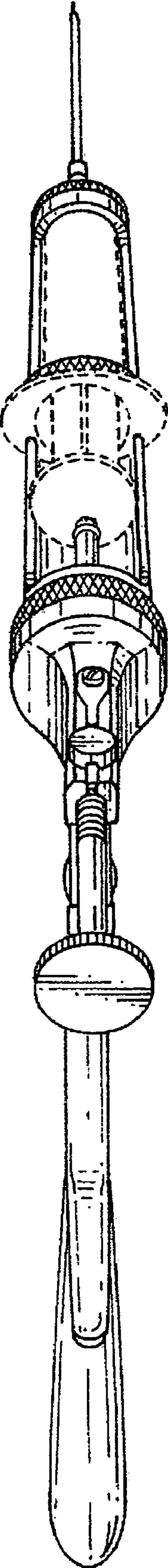


FIG. 7

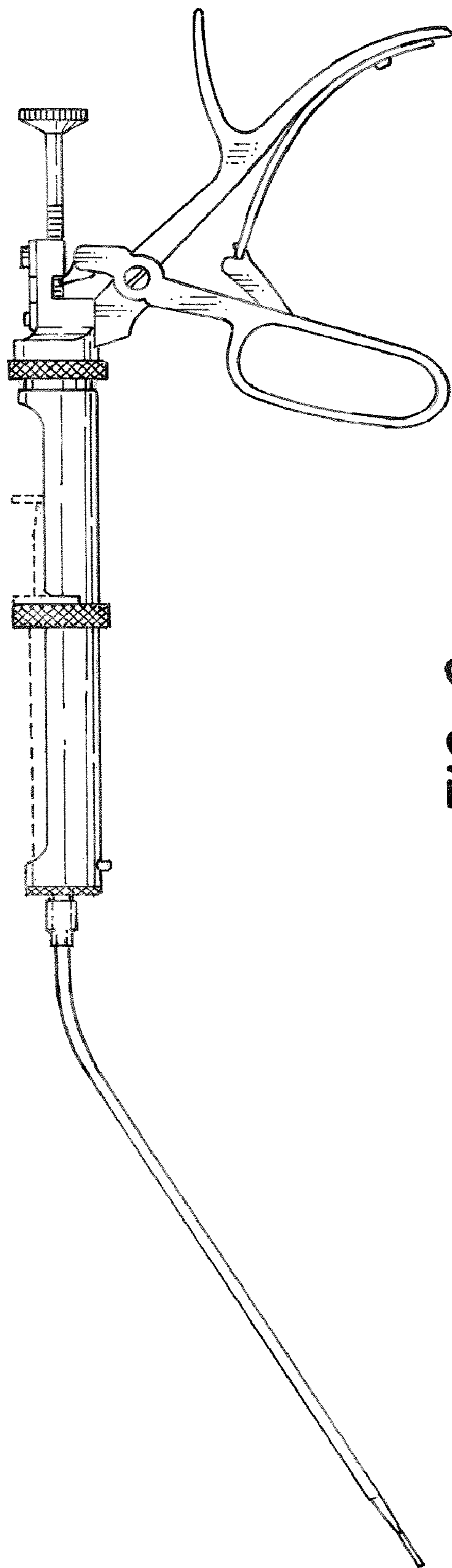


FIG. 8

UNITED STATES PATENT AND TRADEMARK OFFICE
CERTIFICATE OF CORRECTION

PATENT NO. : Des. 573,252 S
APPLICATION NO. : 29/261824
DATED : July 15, 2008
INVENTOR(S) : Giorgio Peretti et al.

Page 1 of 1

It is certified that error appears in the above-identified patent and that said Letters Patent is hereby corrected as shown below:

Title Page
Page 1, Column 1:

Item (30) Insert Foreign Application Priority Data:
March 10, 2006 (EM)000493424

Signed and Sealed this

Seventh Day of October, 2008



JON W. DUDAS
Director of the United States Patent and Trademark Office