



US00D573251S

(12) **United States Design Patent**
Pentafragas

(10) **Patent No.:** **US D573,251 S**
(45) **Date of Patent:** **** Jul. 15, 2008**

(54) **DRY POWDER INHALER**

(76) Inventor: **Dimitrios Pentafragas**, 17 Elaionon Street, 190 09 Pikermi Attika (GR)

(**) Term: **14 Years**

(21) Appl. No.: **29/289,319**

(22) Filed: **Jul. 16, 2007**

Related U.S. Application Data

(63) Continuation of application No. 10/506,940, filed on Sep. 8, 2004, now Pat. No. 7,318,435.

(51) **LOC (8) Cl.** **29-02**

(52) **U.S. Cl.** **D24/110**

(58) **Field of Classification Search** D24/110,
D24/110.4, 110.5; 128/203.15, 203.21, 200.14,
128/200.23, 205.24

See application file for complete search history.

(56) **References Cited**

U.S. PATENT DOCUMENTS

D348,928 S *	7/1994	Ashley et al.	D24/110
D441,446 S *	5/2001	Dagsland et al.	D24/110
6,848,443 B2 *	2/2005	Schmidt et al.	128/200.23
D527,817 S *	9/2006	Ziegler et al.	D24/110
D529,604 S *	10/2006	Young et al.	D24/110
2005/0252511 A1 *	11/2005	Pentafragas	128/203.15
2007/0131225 A1 *	6/2007	Rand	128/200.23

* cited by examiner

Primary Examiner—Ian Simmons
Assistant Examiner—Christopher Lee

(74) *Attorney, Agent, or Firm*—Milde & Hoffberg, LLP

(57) **CLAIM**

The ornamental design for a dry powder inhaler, as shown and described.

DESCRIPTION

FIG. 1 is a perspective view of the dry powder inhaler according to the design with the cap removed.

FIG. 2 is a view of one side of the inhaler of FIG. 1.

FIG. 3 is a view of the opposite side of the inhaler of FIG. 1.

FIG. 4 is a view of one edge of the inhaler of FIG. 1.

FIG. 5 is a view of the opposite edge of the inhaler of FIG. 1.

FIG. 6 is a top view of the inhaler of FIG. 1.

FIG. 7 is a bottom view of the inhaler of FIG. 1.

FIG. 8 is a perspective view of the inhaler of FIG. 1 with the cap in place.

FIG. 9 is a view of one side of the inhaler of FIG. 8.

FIG. 10 is a view of the opposite side of the inhaler of FIG. 8.

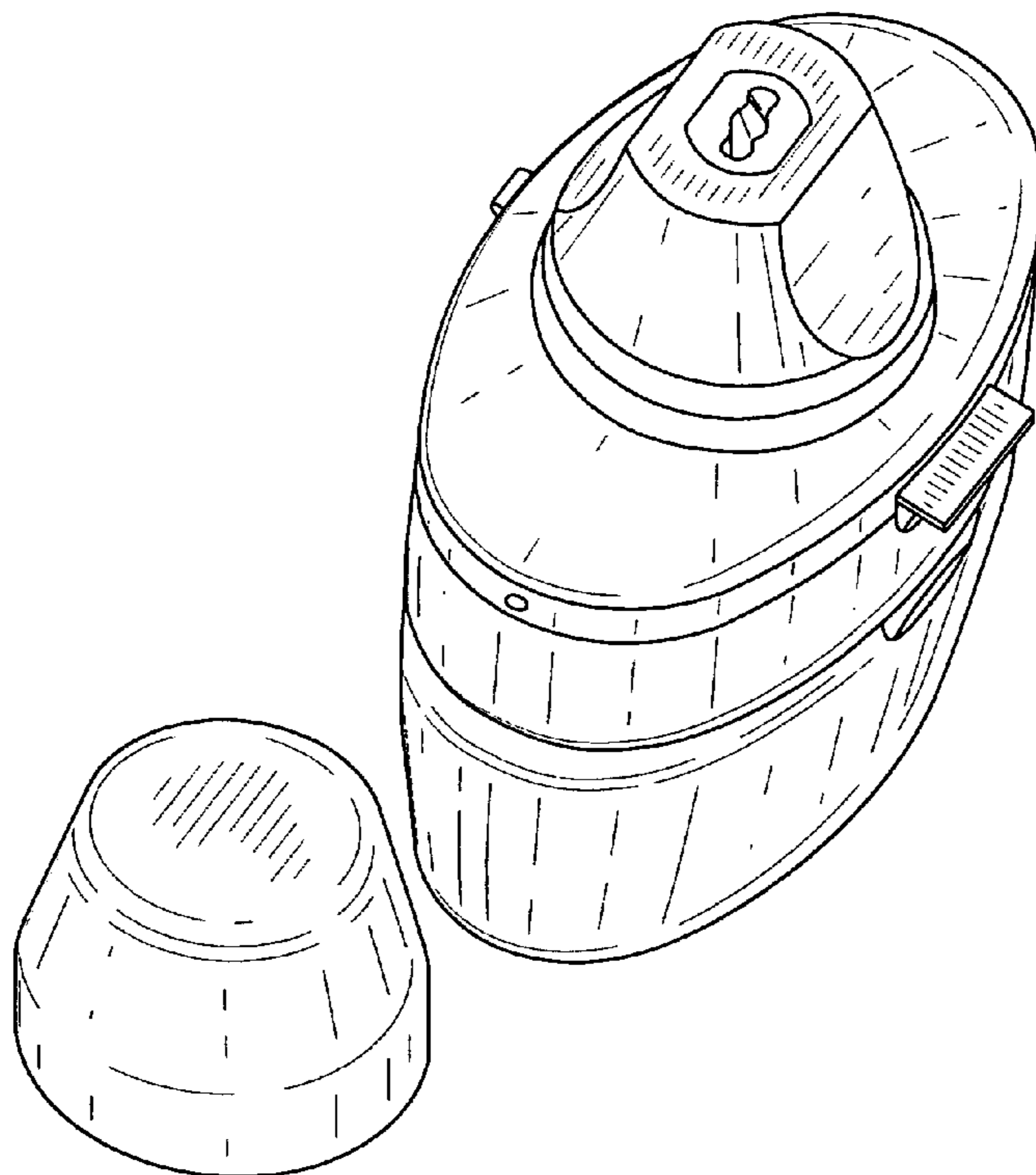
FIG. 11 is a view of one edge of the inhaler of FIG. 8.

FIG. 12 is a view of the opposite edge of the inhaler of FIG. 8.

FIG. 13 is a top view of the inhaler of FIG. 8; and,

FIG. 14 is a bottom view of the inhaler of FIG. 8.

1 Claim, 10 Drawing Sheets



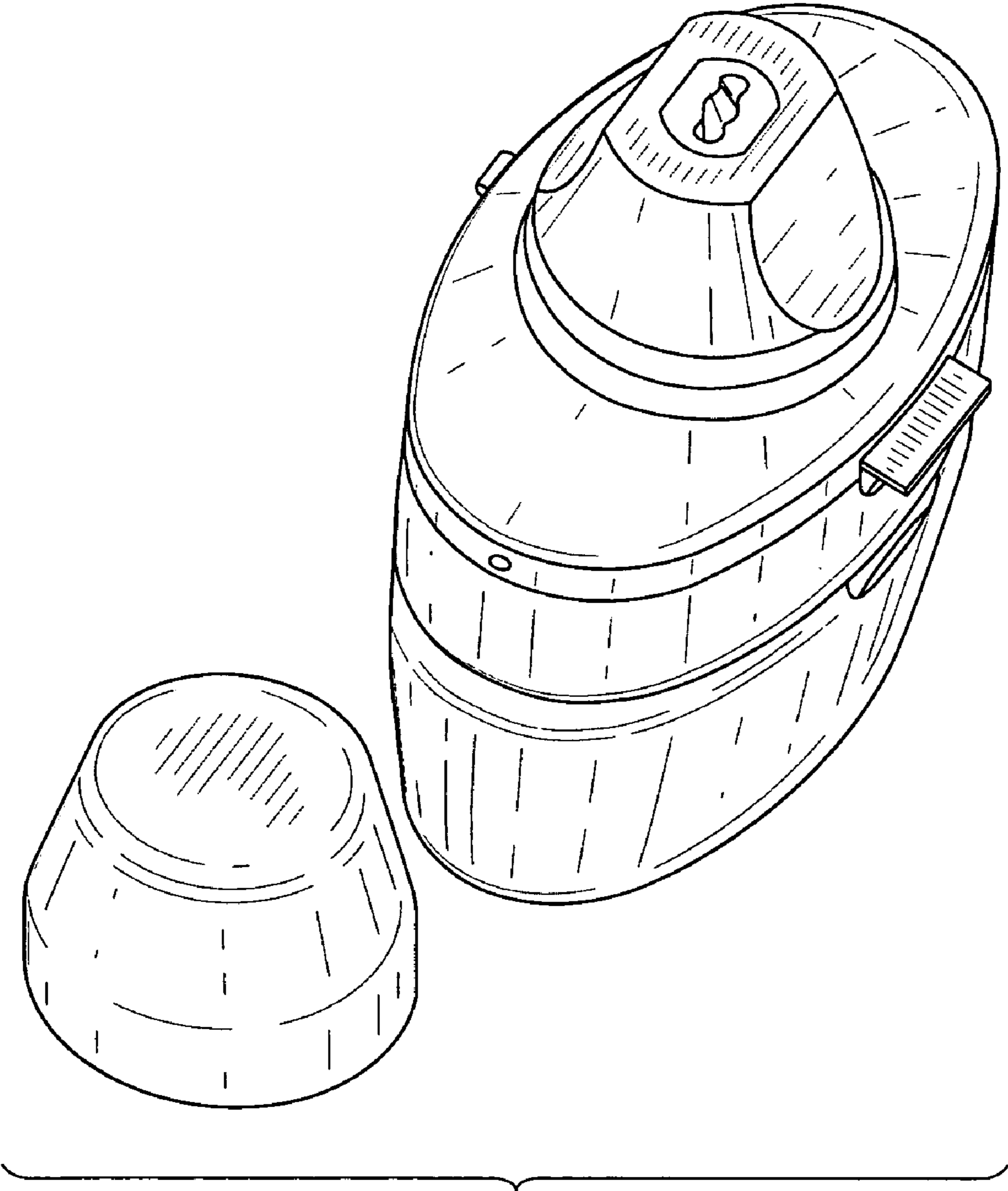


FIG. 1

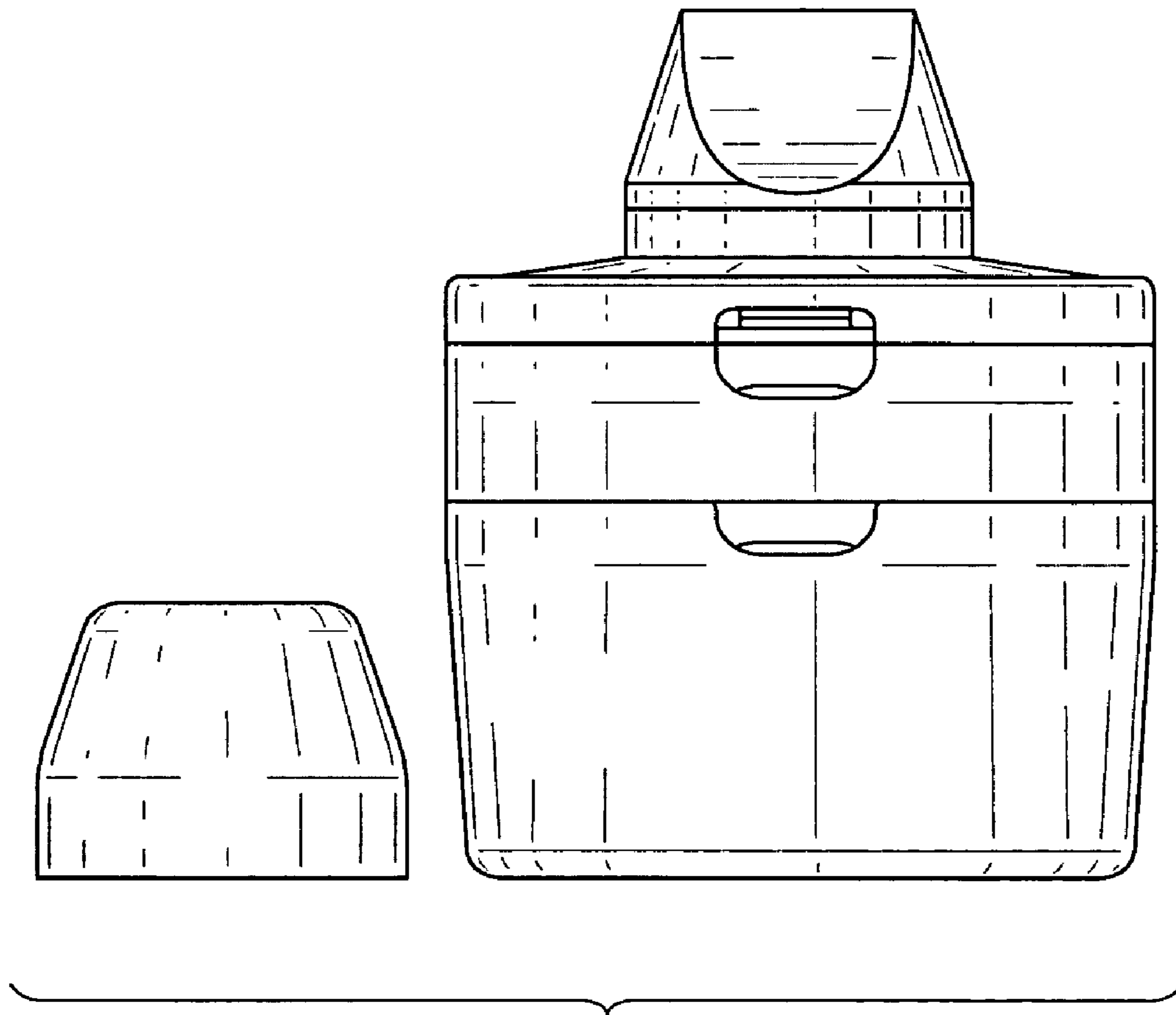


FIG. 2

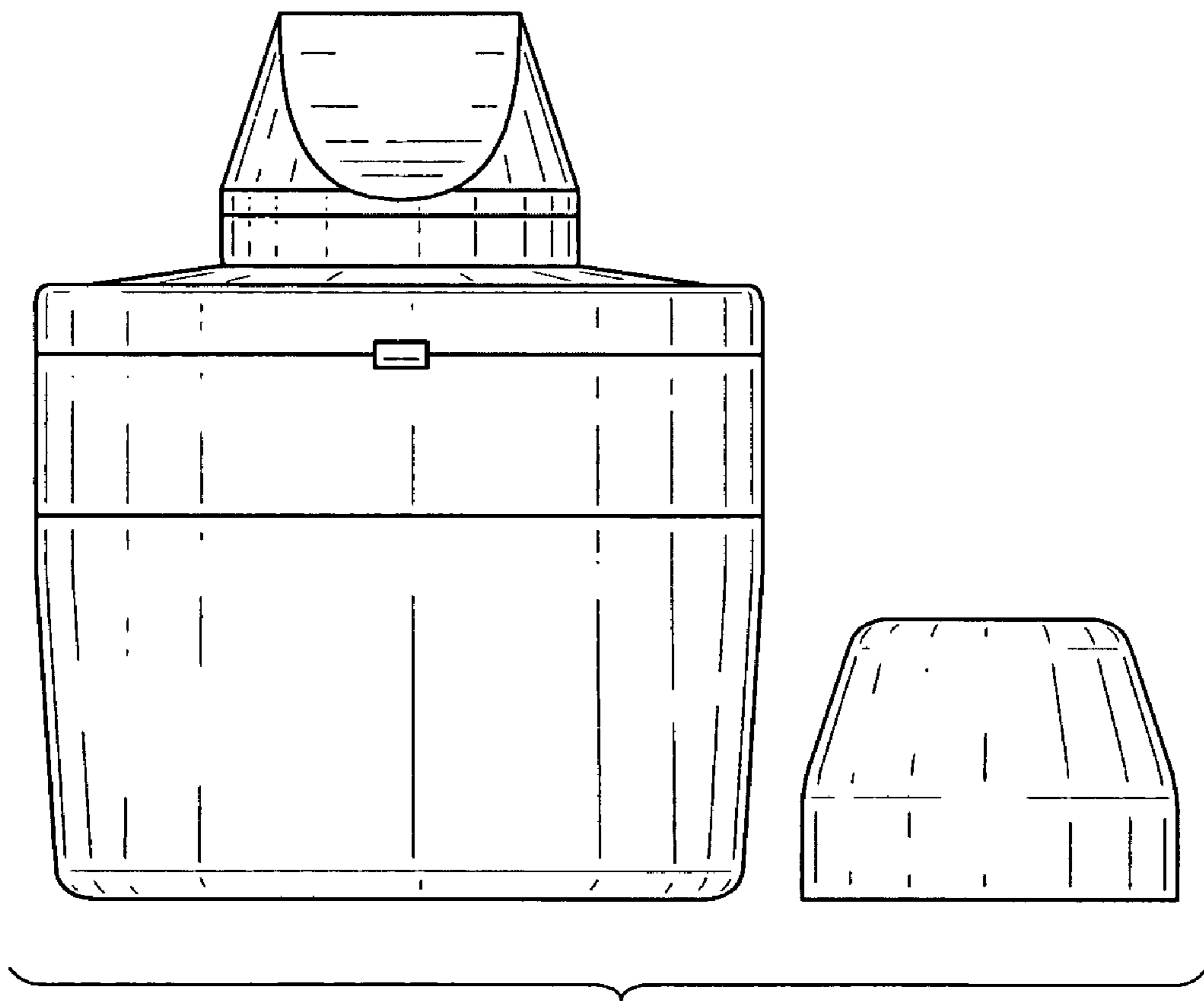


FIG. 3

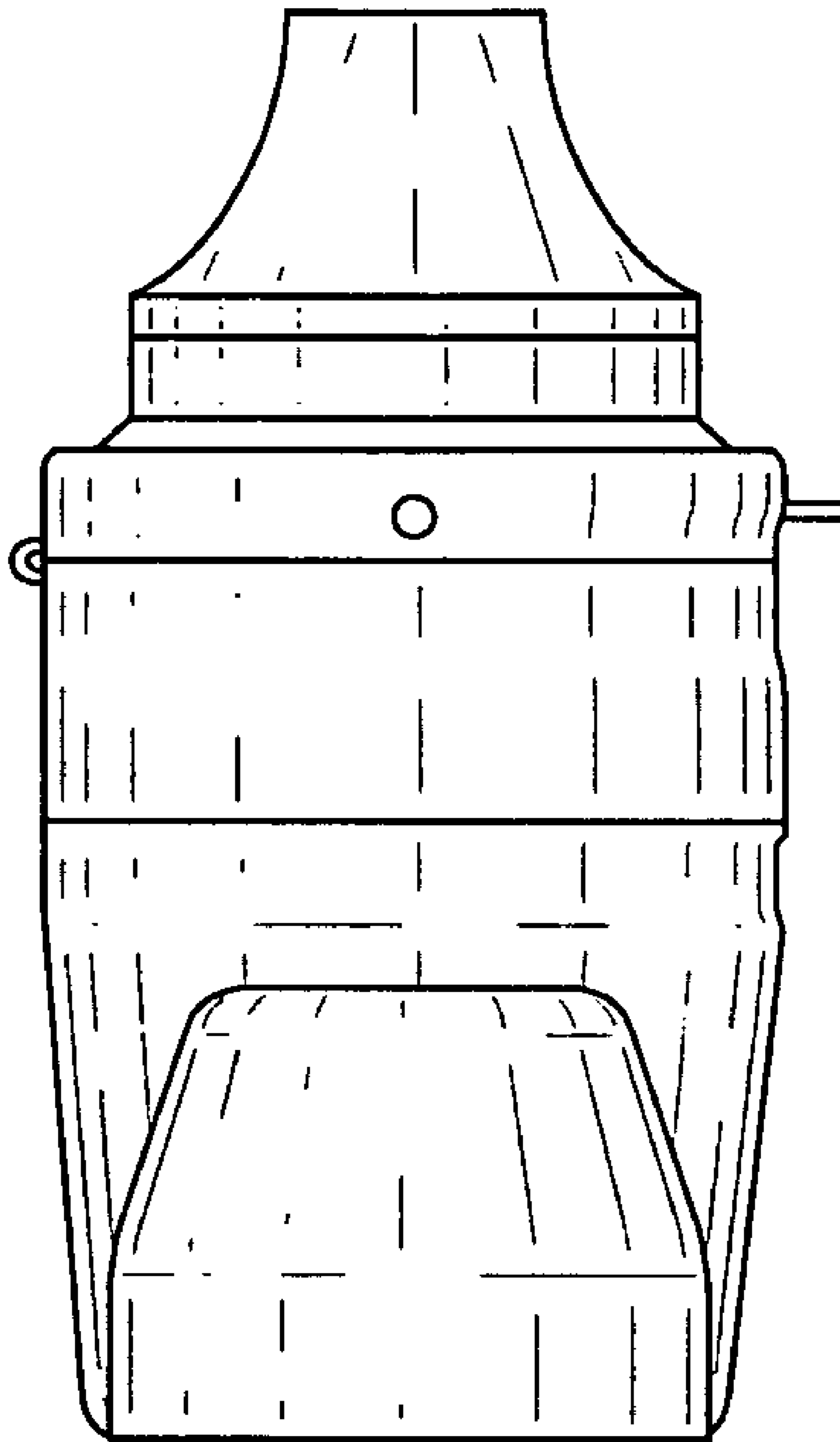


FIG. 4

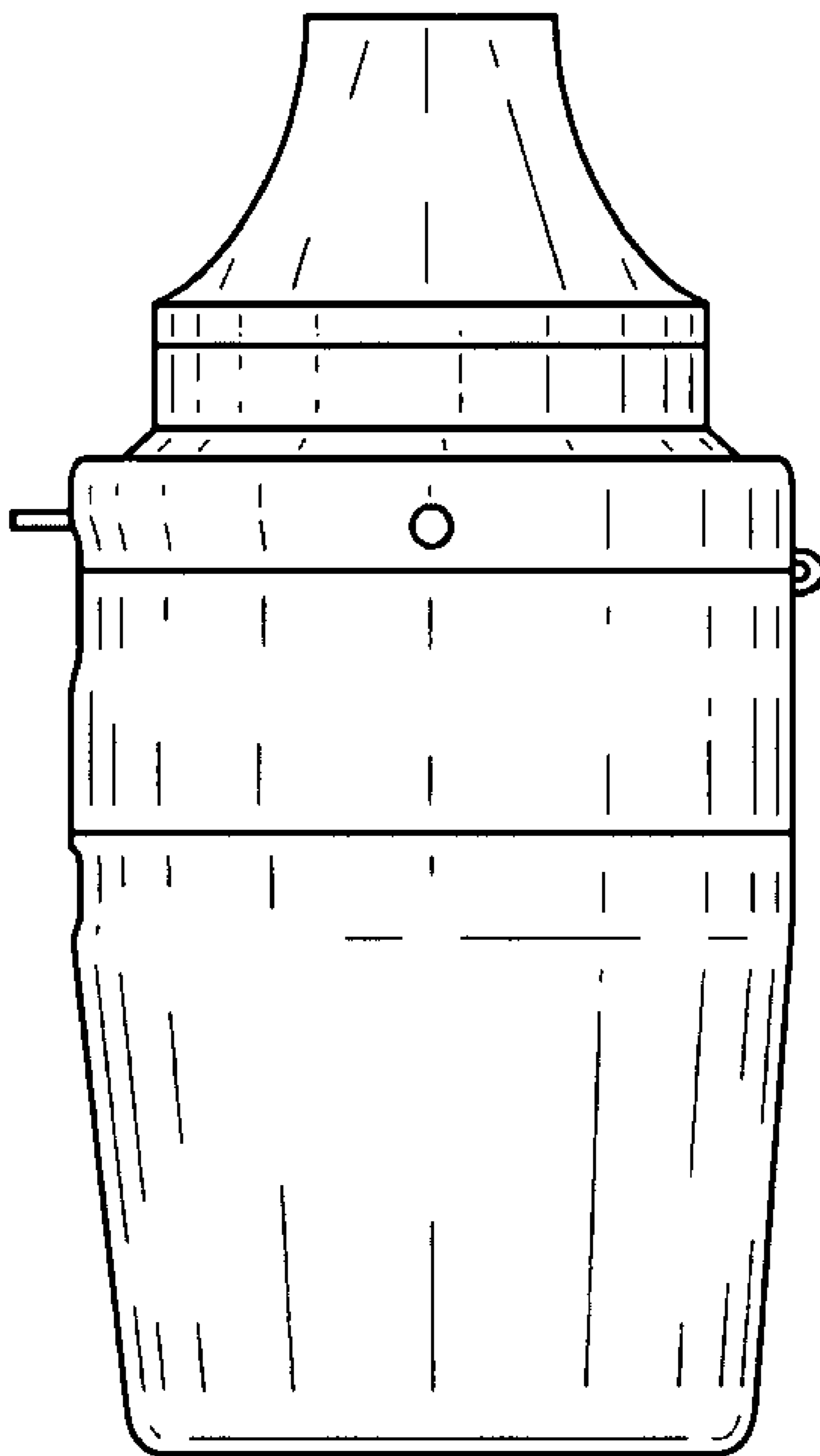


FIG. 5

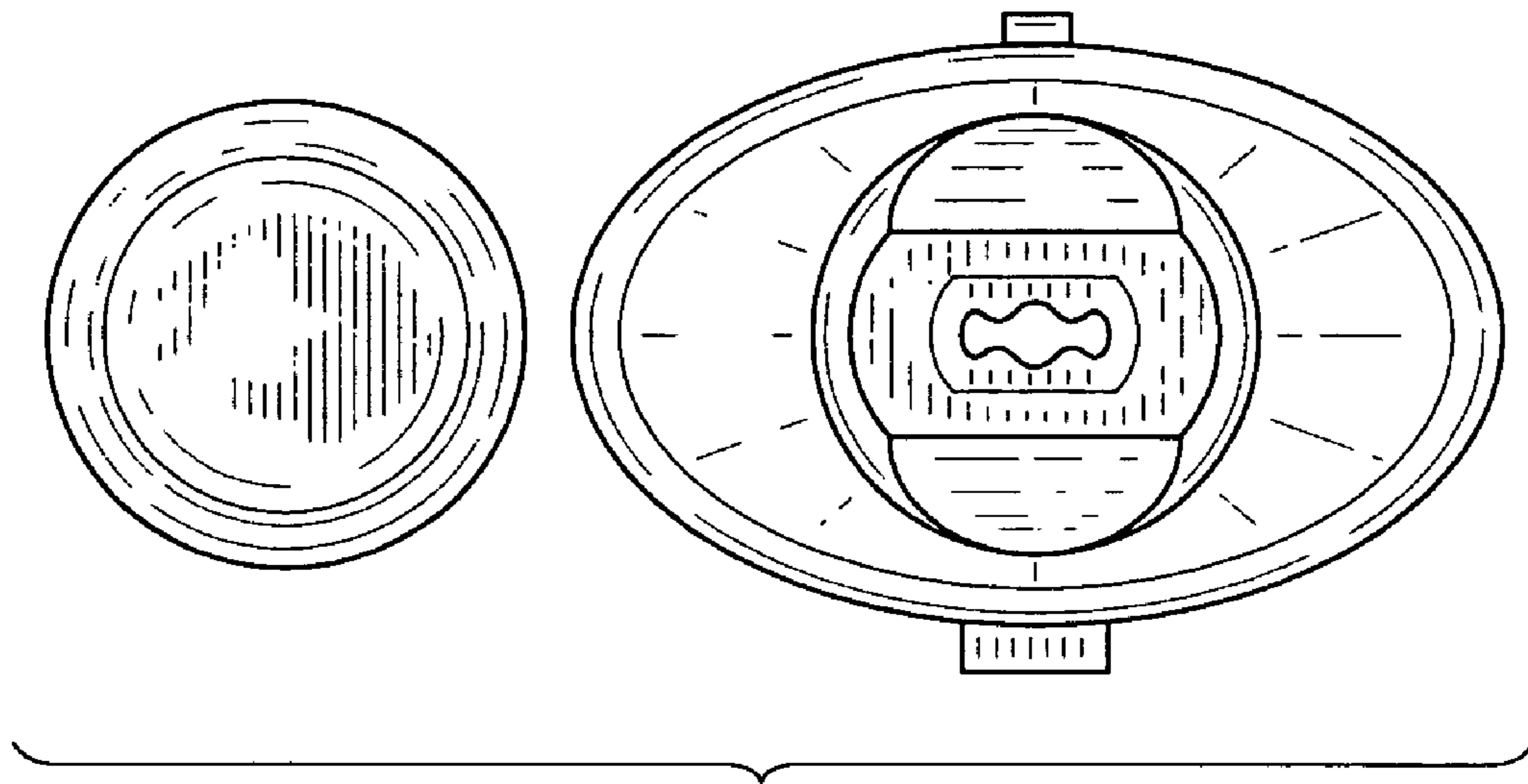


FIG. 6

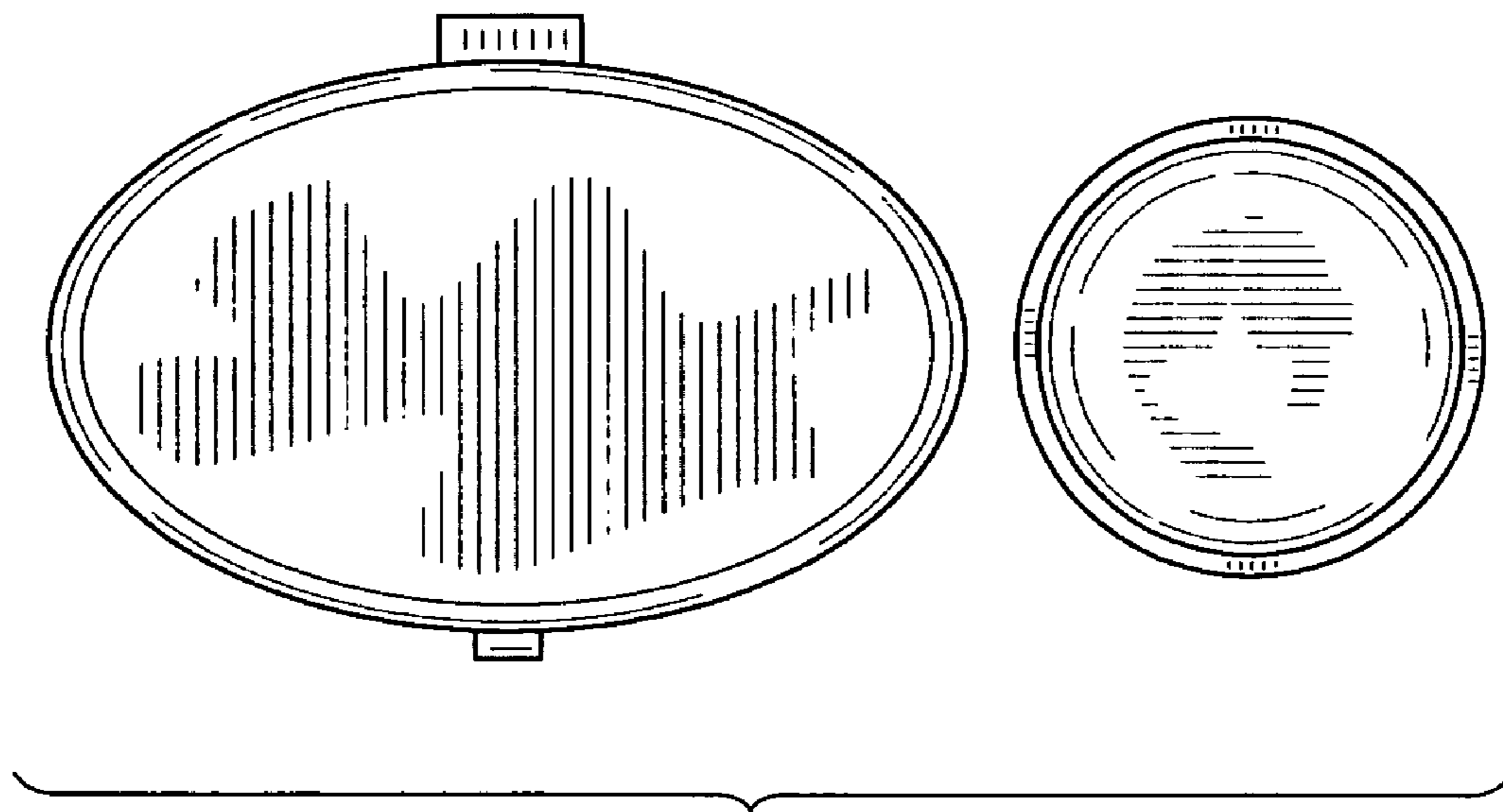


FIG. 7

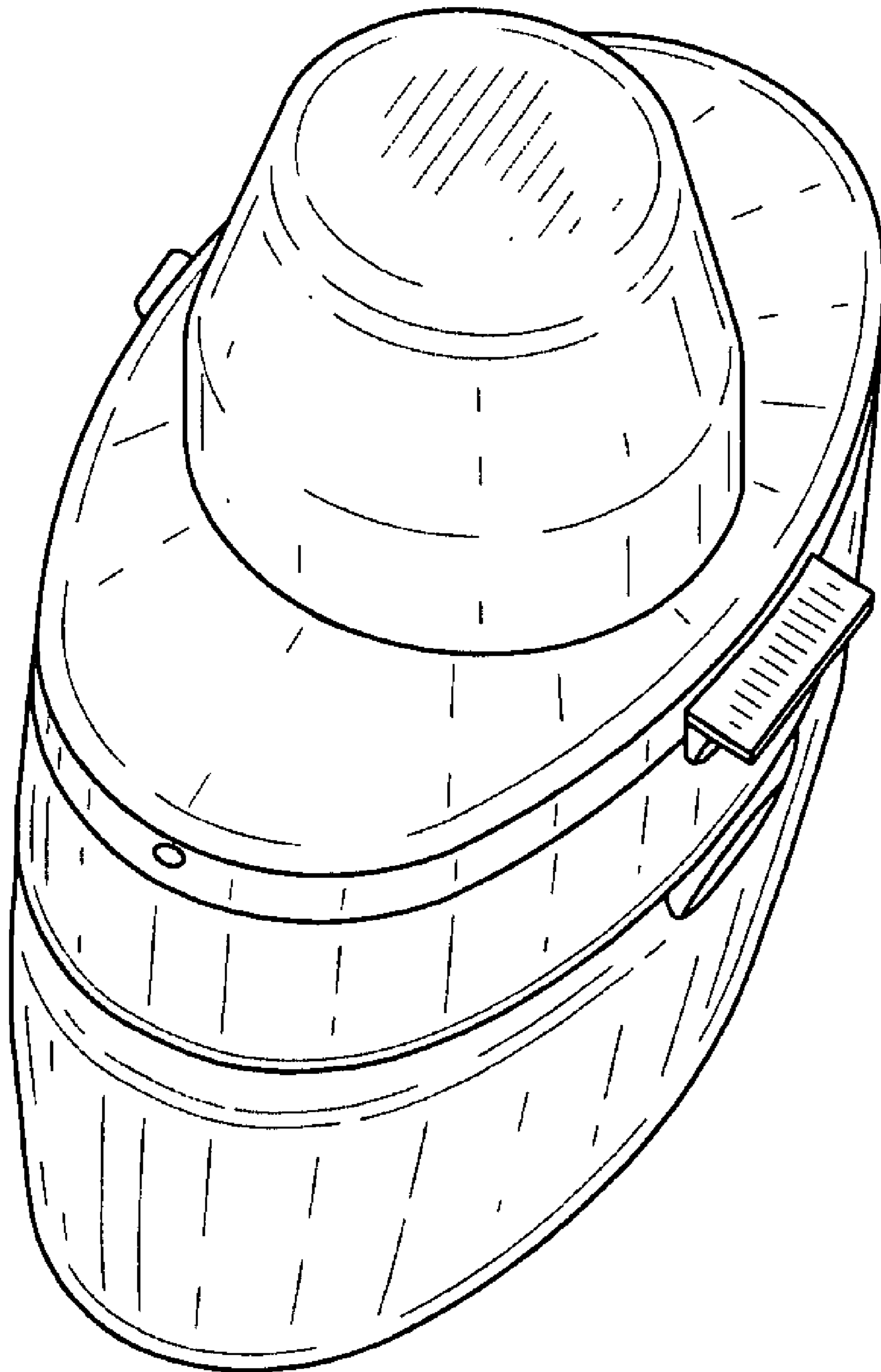


FIG. 8

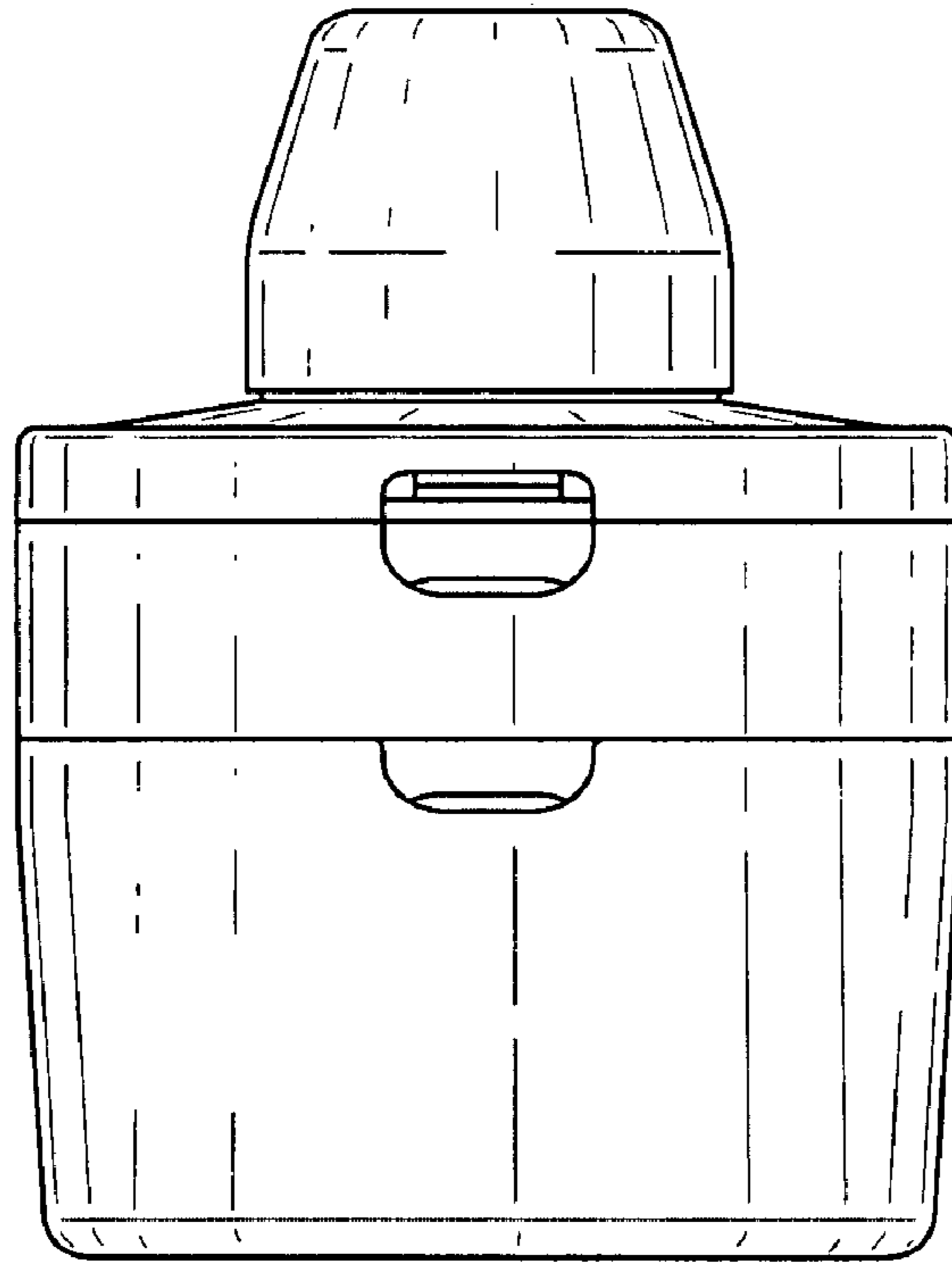


FIG. 9

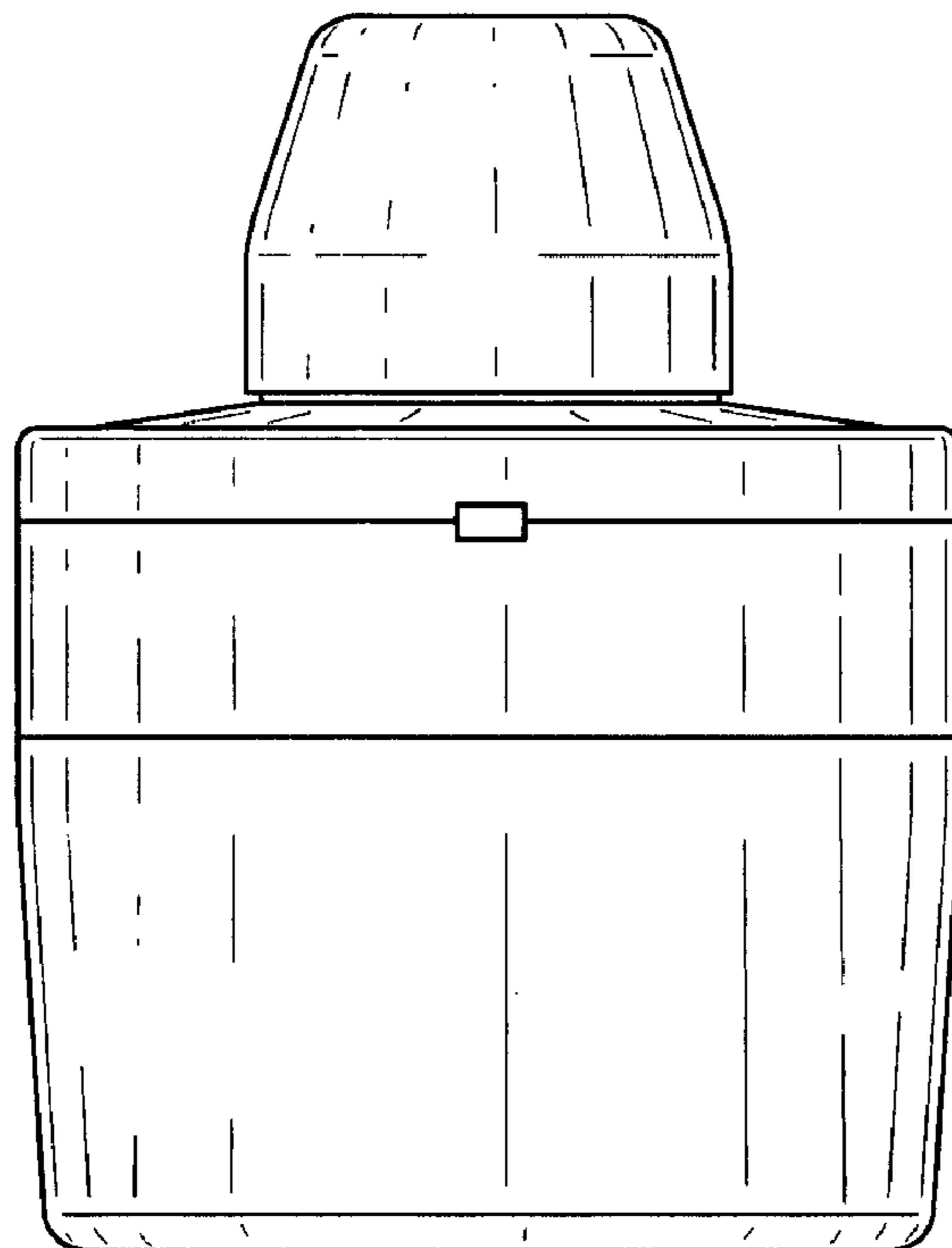


FIG. 10

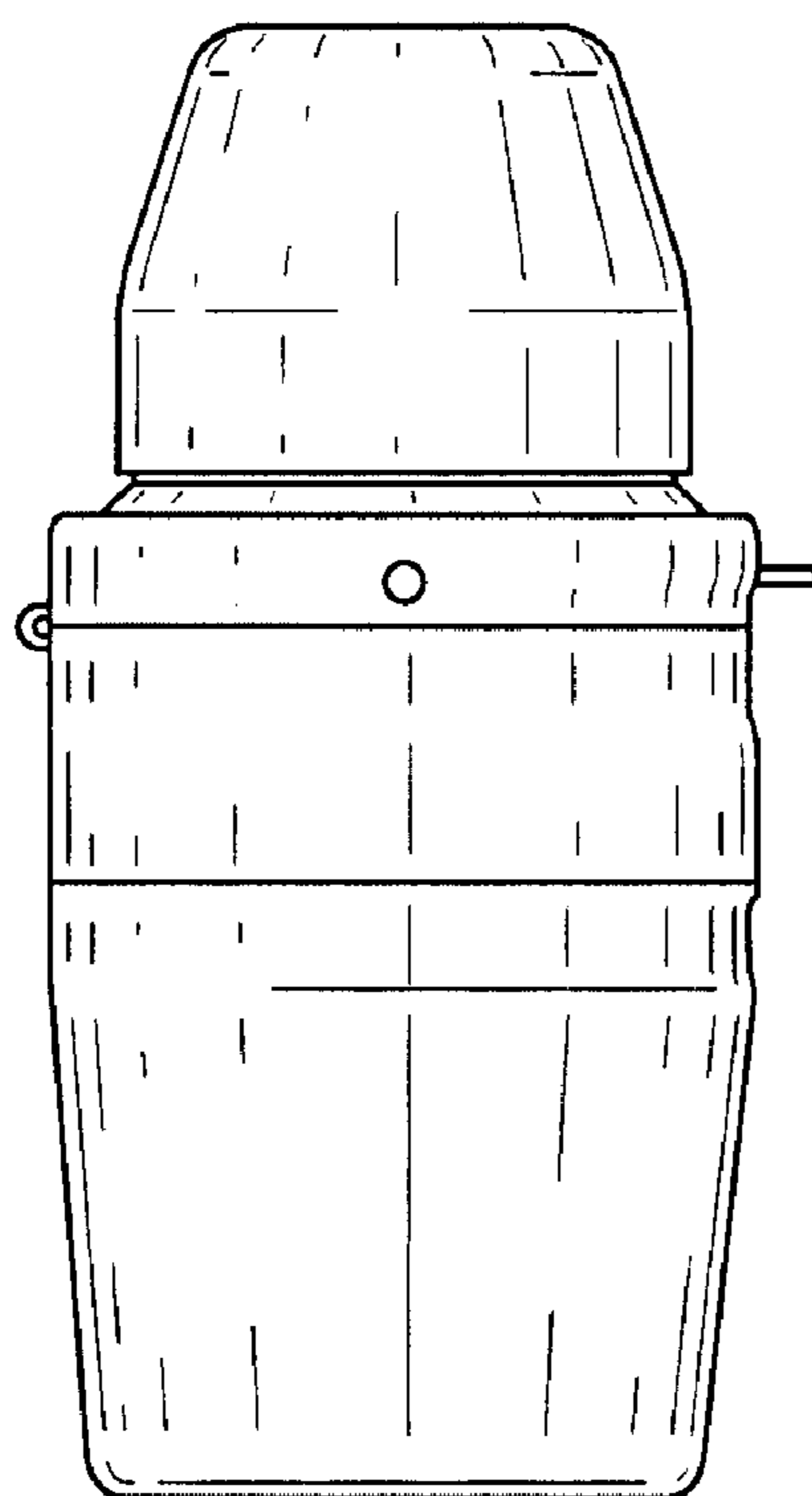


FIG. 11

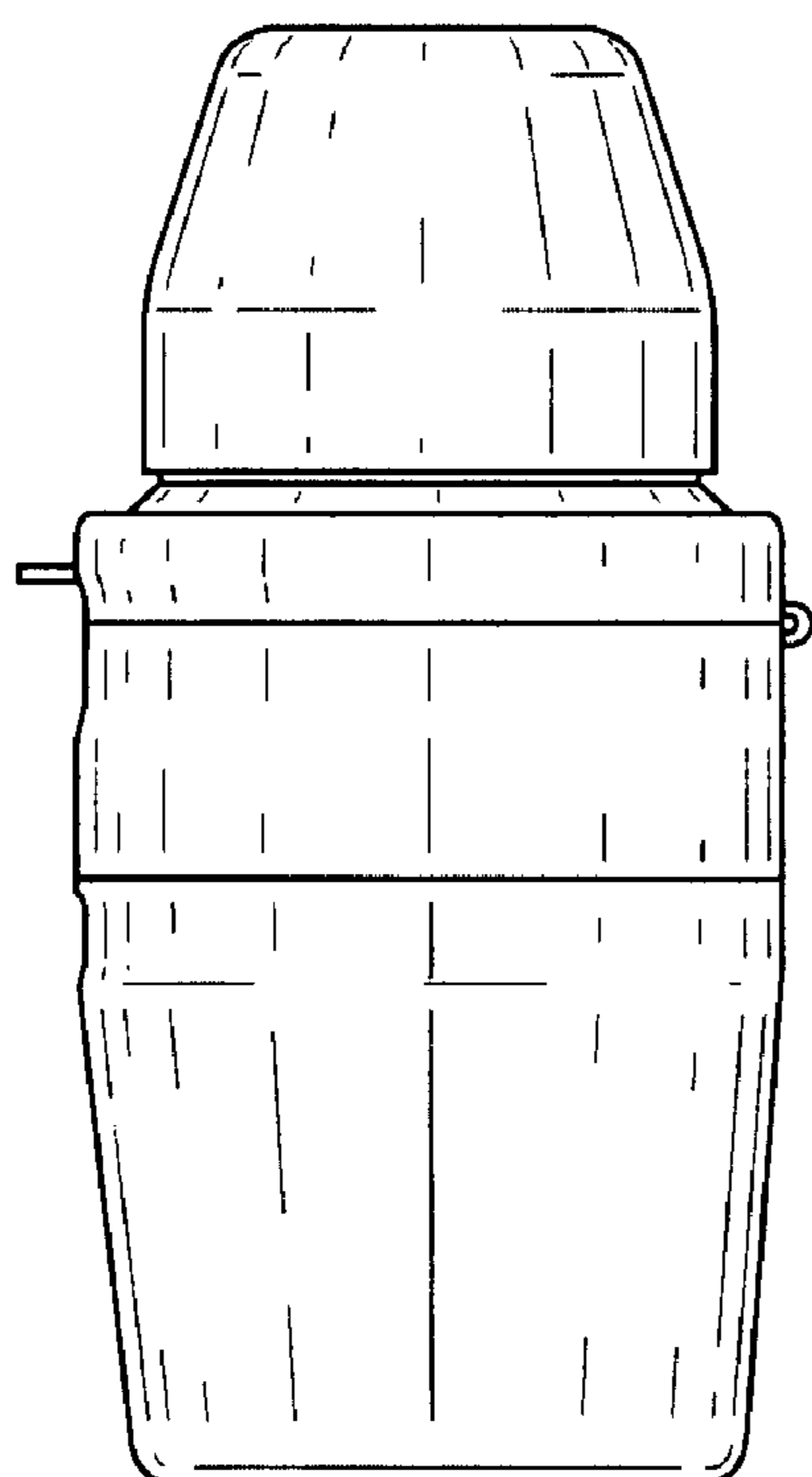


FIG. 12

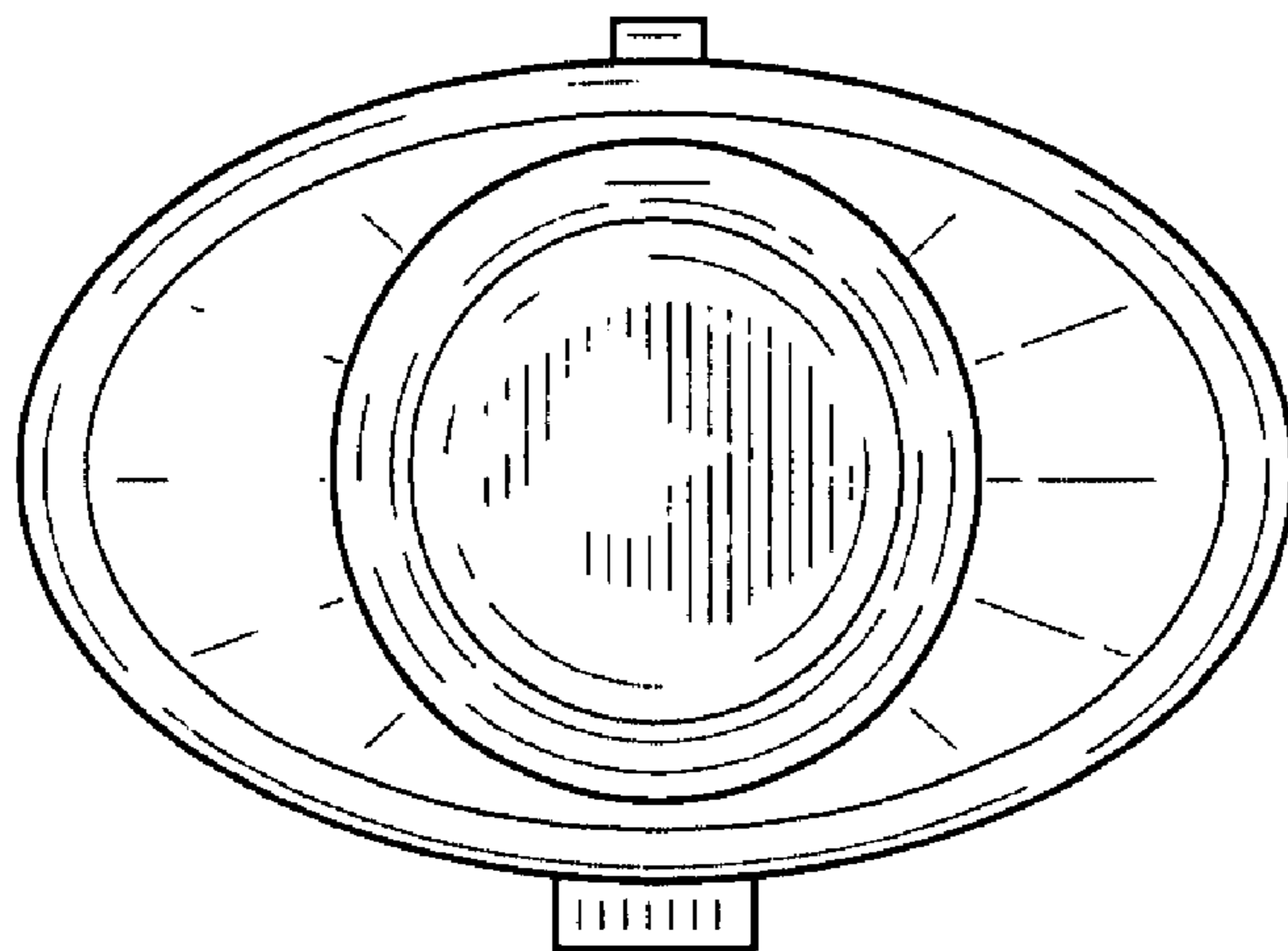


FIG. 13

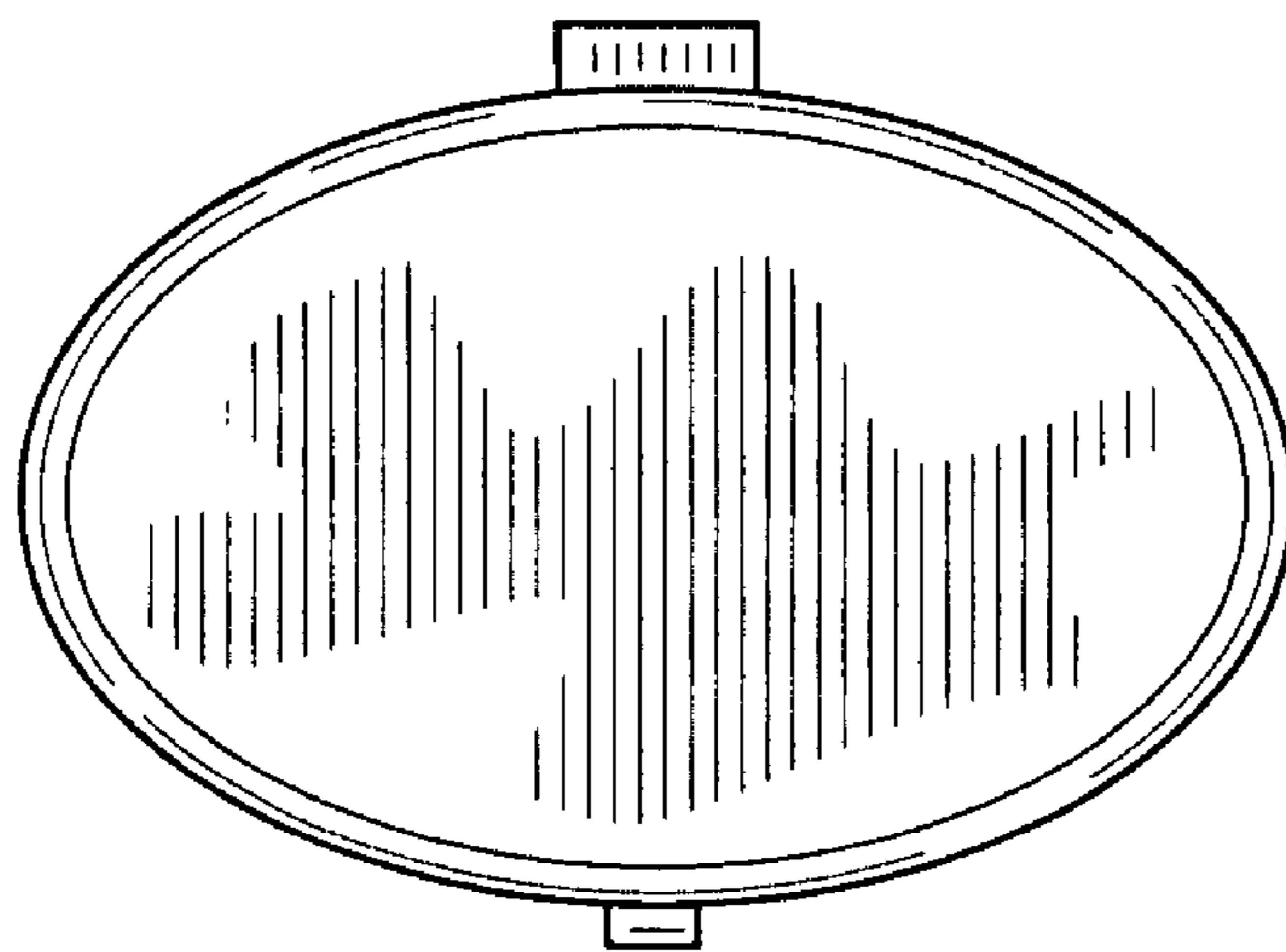


FIG. 14