



US00D573250S

(12) **United States Design Patent**
MacRae et al.

(10) **Patent No.:** **US D573,250 S**
(45) **Date of Patent:** **** Jul. 15, 2008**

(54) **IRRIGATION DEVICE**

WO 84/02655 7/1984

(75) Inventors: **John MacRae**, Carlisle (CA); **Steven Duffield**, Burlington (CA)

OTHER PUBLICATIONS

PCT International Search Report (Corrected Version) re PCT/CA03/00836, John MacRae, dated Oct. 1, 2003.

(73) Assignee: **Earigate Inc.**, Burlington, ON (CA)

* cited by examiner

(**) Term: **14 Years**

Primary Examiner—Ian Simmons
Assistant Examiner—Christopher Lee

(21) Appl. No.: **29/277,075**

(57) **CLAIM**

(22) Filed: **Feb. 13, 2007**

The ornamental design for an irrigation device, as shown and described.

(51) **LOC (8) Cl.** **24-01**

(52) **U.S. Cl.** **D24/108; D24/112**

(58) **Field of Classification Search** D24/108,
D24/111, 152, 112, 115, 121; 601/162, 165;
604/150, 275, 149, 187, 514, 36, 37, 39,
604/43, 212; 433/80, 92

See application file for complete search history.

DESCRIPTION

FIG. 1 is a perspective view of a top and a rear side of the ear irrigation device;

FIG. 2 is a side elevation view of a first side thereof;

FIG. 3 is a side elevation view of a rear side thereof;

FIG. 4 is a side elevation view of a second side thereof;

FIG. 5 is a side elevation view of a front side thereof;

FIG. 6 is a top view thereof;

FIG. 7 is a bottom view thereof;

FIG. 8 is a perspective view of an alternative embodiment of the subject invention;

FIG. 9 is a side elevation view of a first side thereof;

FIG. 10 is a side elevation view of a rear side thereof;

FIG. 11 is a side elevation view of a second side thereof;

FIG. 12 is a side elevation view of a front side thereof;

FIG. 13 is a top view thereof; and,

FIG. 14 is a bottom view thereof.

The broken lines in FIGS. 7 and 14 are for illustrative purpose only and form no part of the claimed design.

(56) **References Cited**

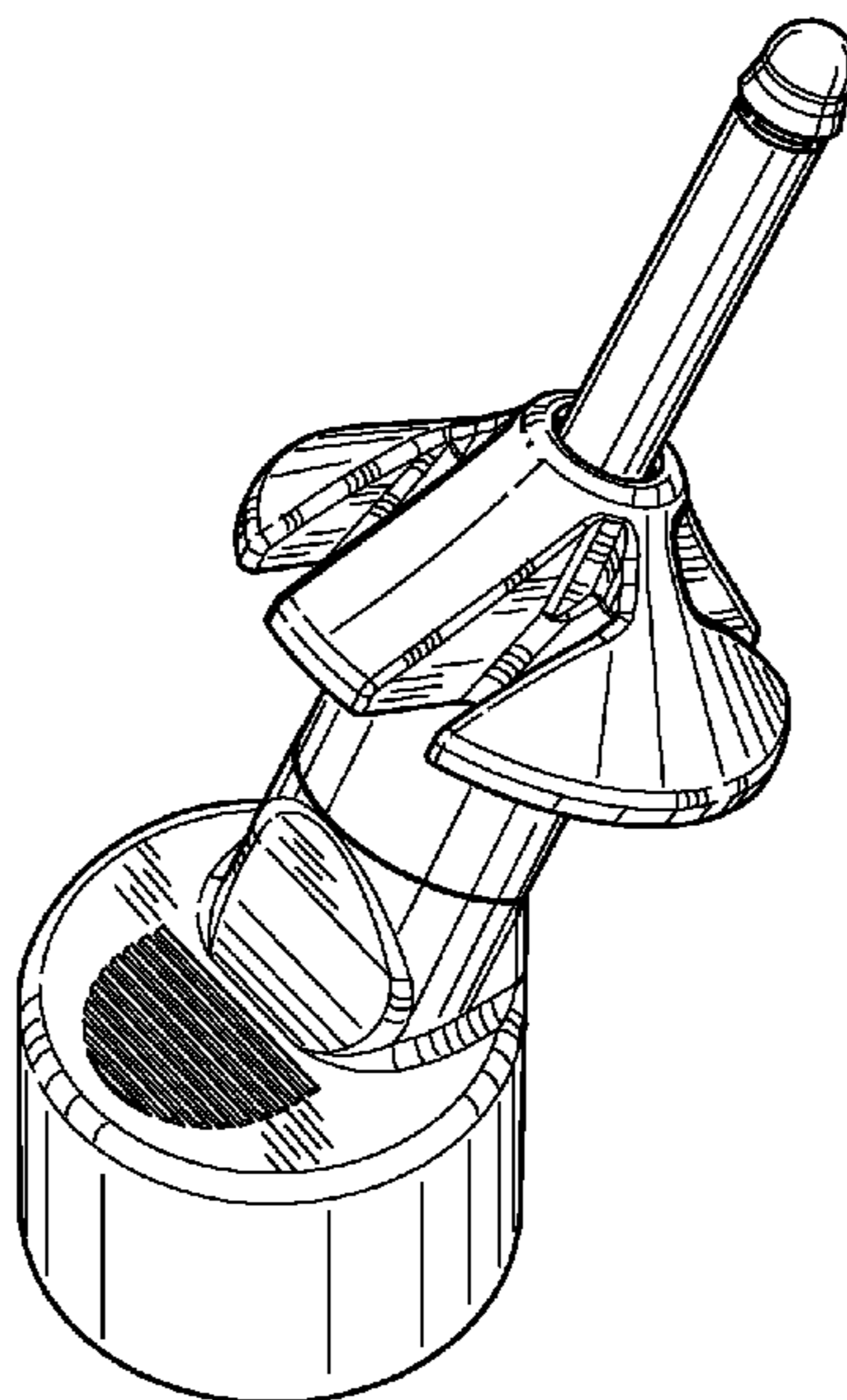
U.S. PATENT DOCUMENTS

1,779,268	A	10/1930	Belfrage et al.	
2,576,766	A	11/1951	Sokolik	
4,206,756	A	6/1980	Grossan	
D317,203	S *	5/1991	Walsh	D24/112
D340,112	S *	10/1993	Zeman	D24/121
5,364,343	A	11/1994	Apolet et al.	
D372,070	S *	7/1996	Zak et al.	D23/213
6,210,358	B1	4/2001	Roger	
6,706,023	B1 *	3/2004	Huttner et al.	604/264
6,949,088	B2 *	9/2005	Macrae	604/275
2007/0179450	A1 *	8/2007	MacRae et al.	604/187

FOREIGN PATENT DOCUMENTS

GB 2318736 5/1998

1 Claim, 4 Drawing Sheets



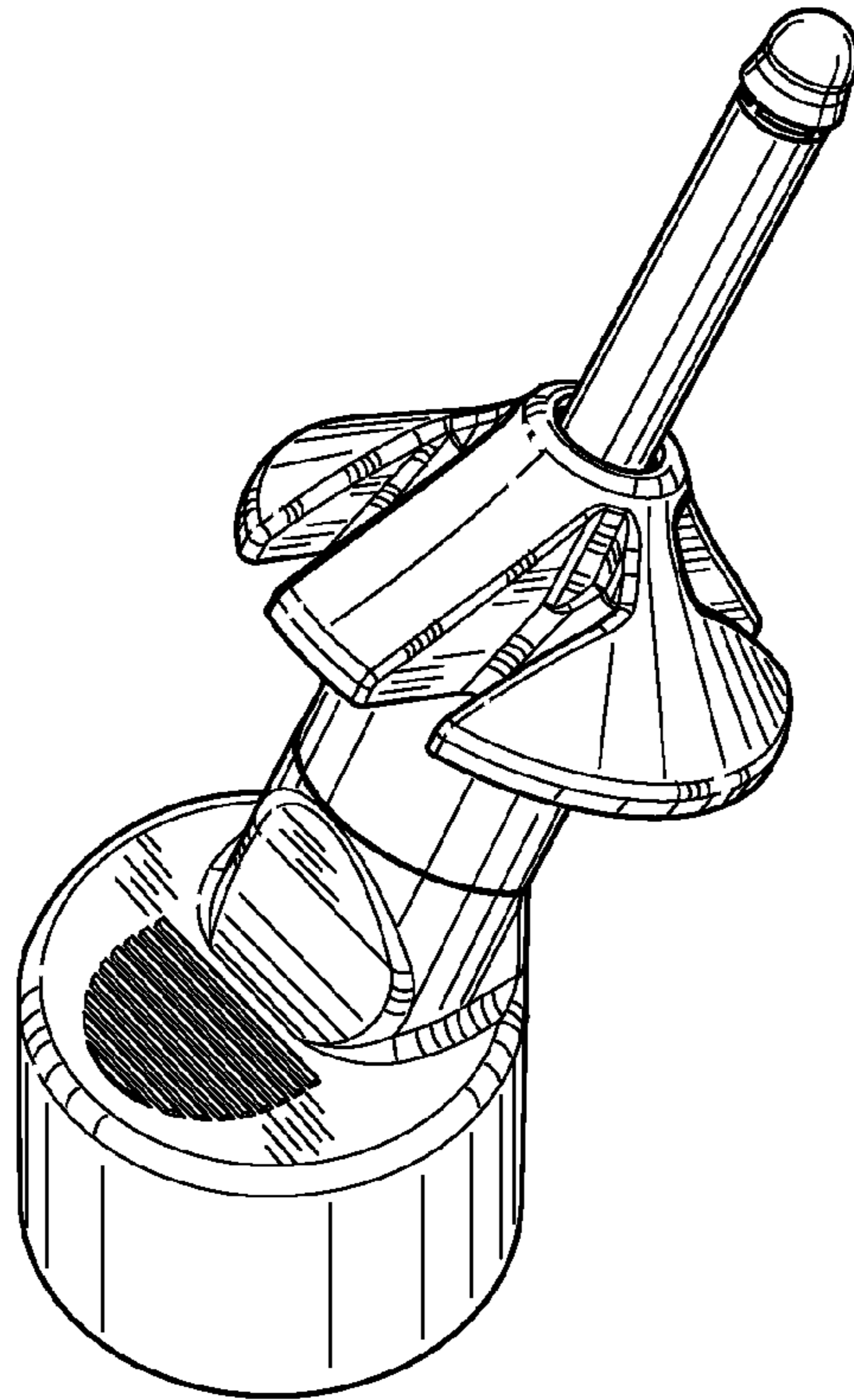


FIG. 1

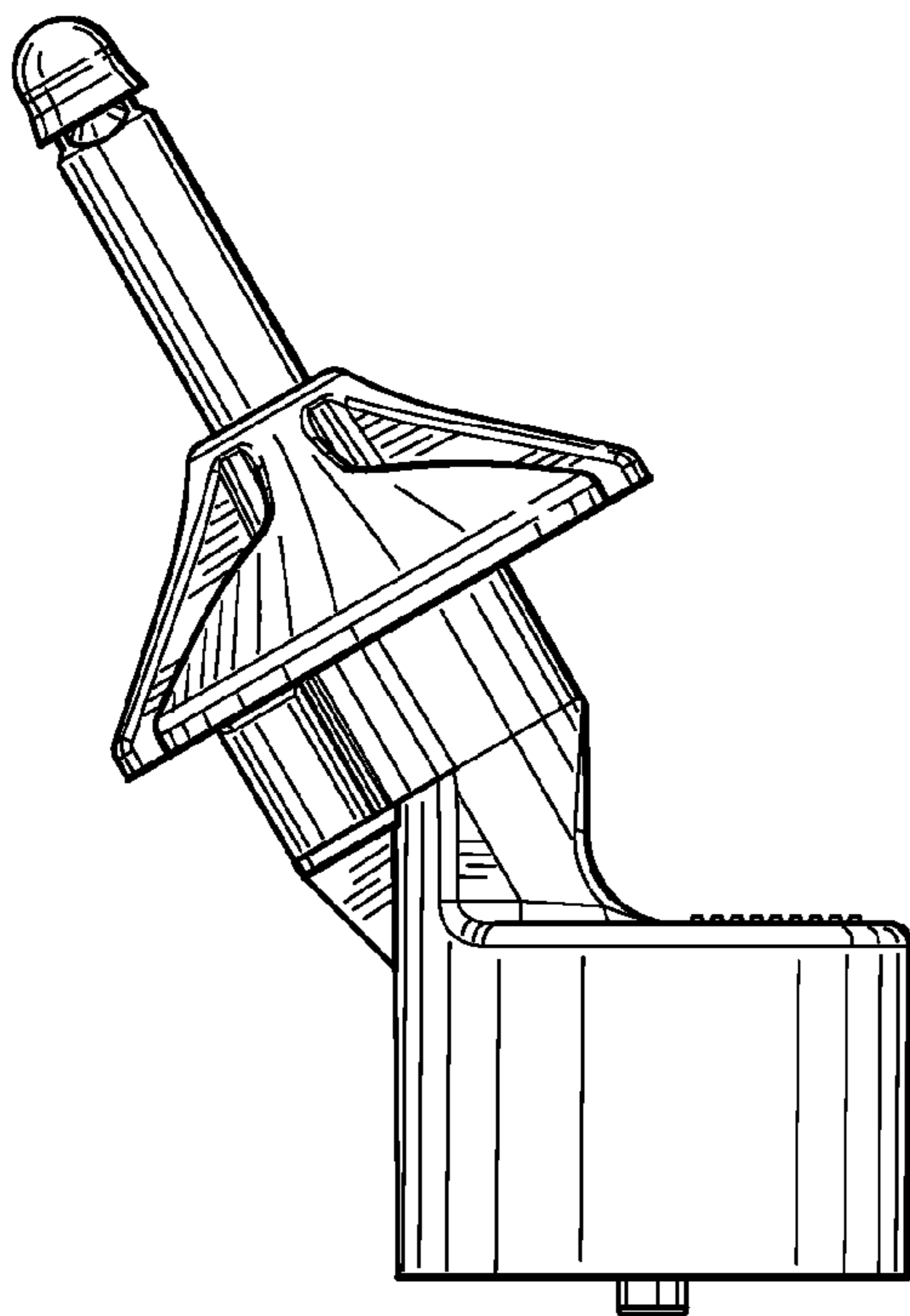


FIG. 2

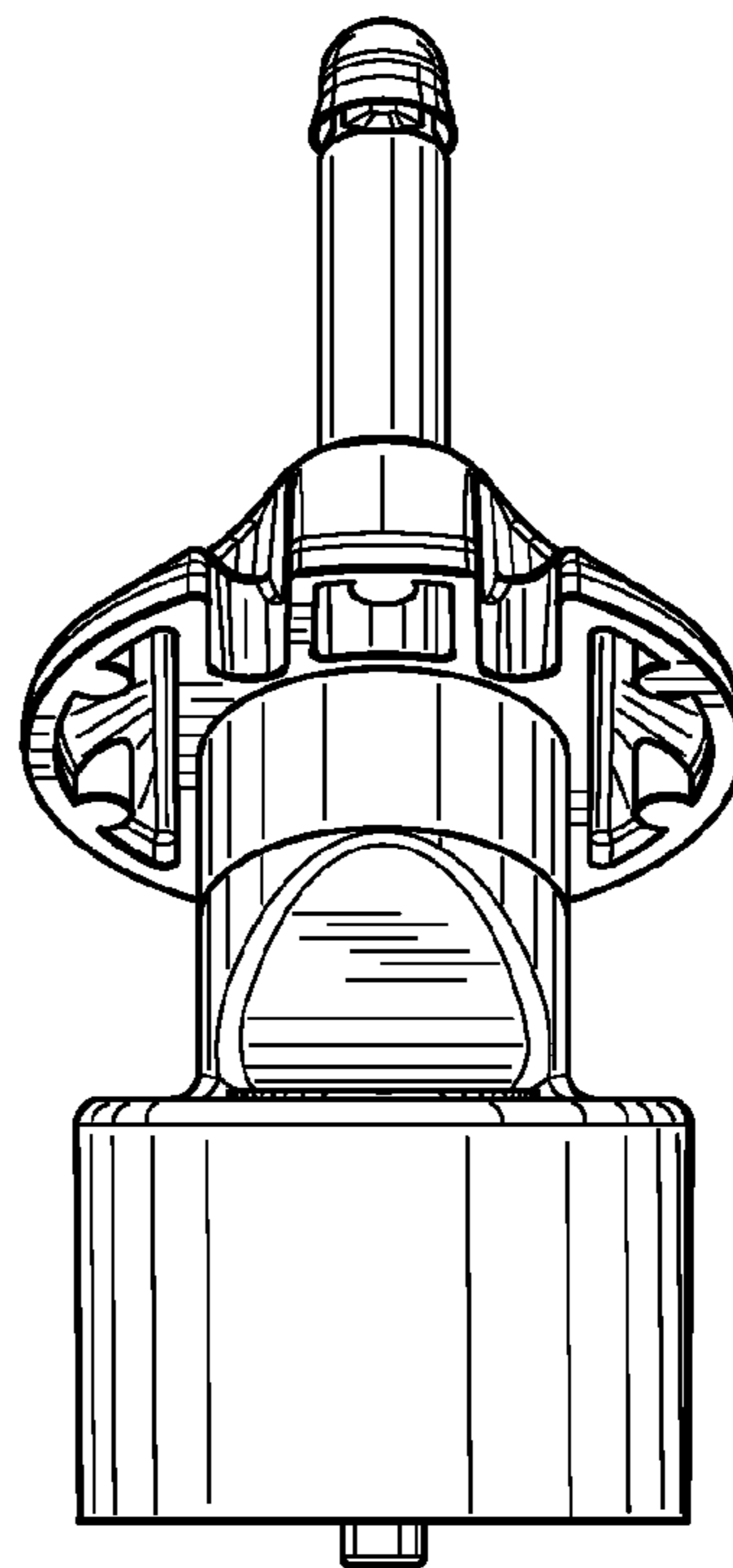


FIG. 3

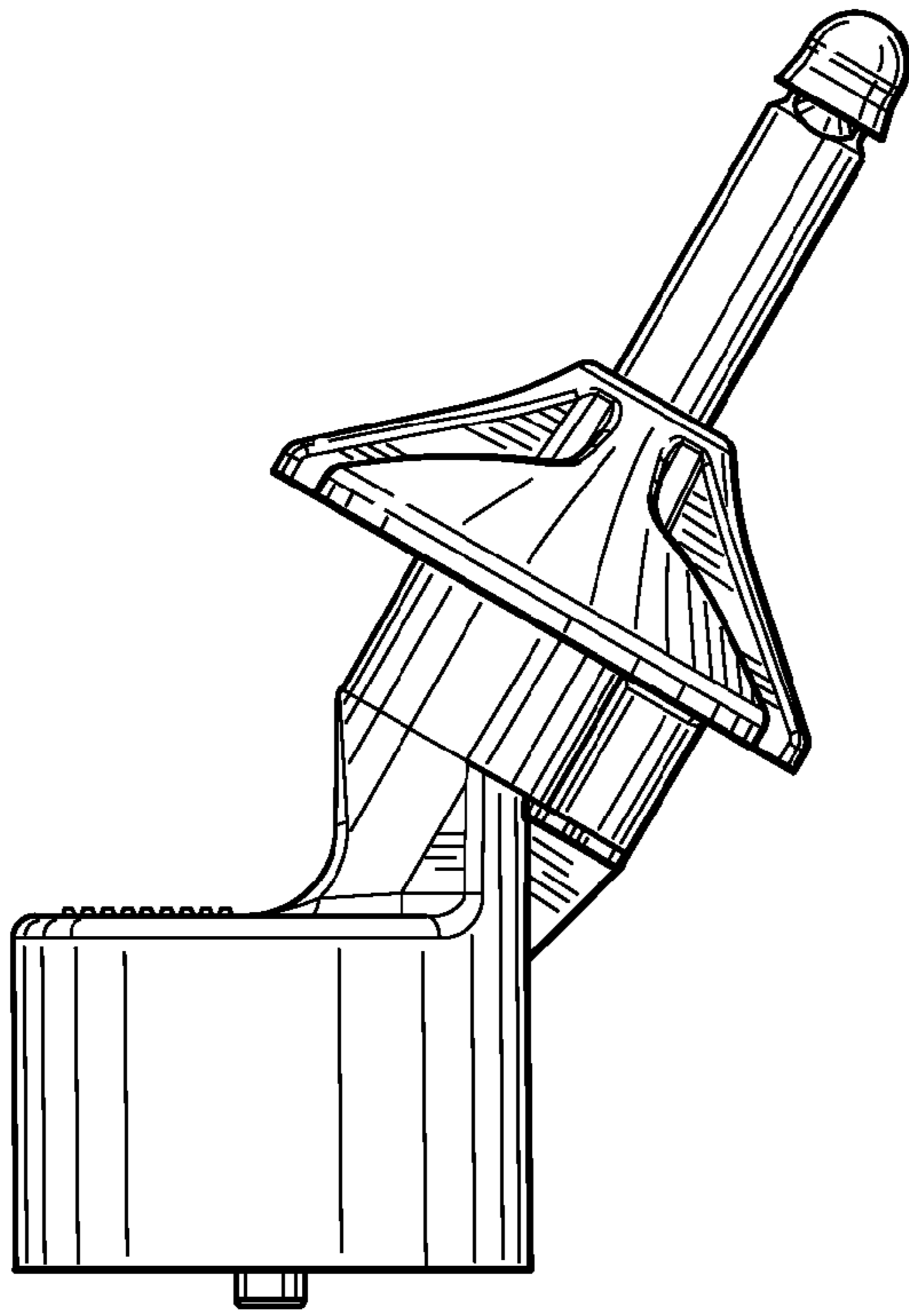


FIG. 4

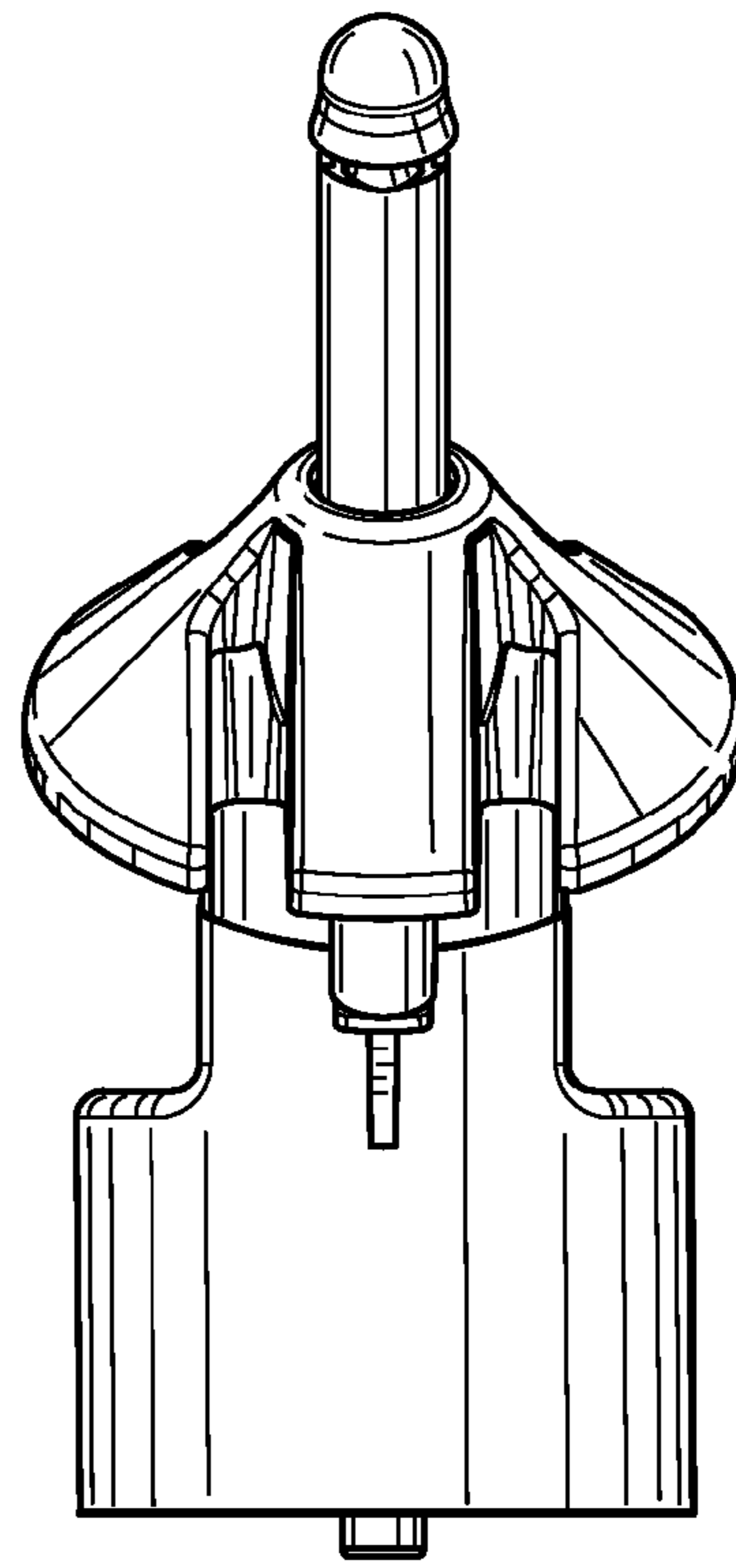


FIG. 5

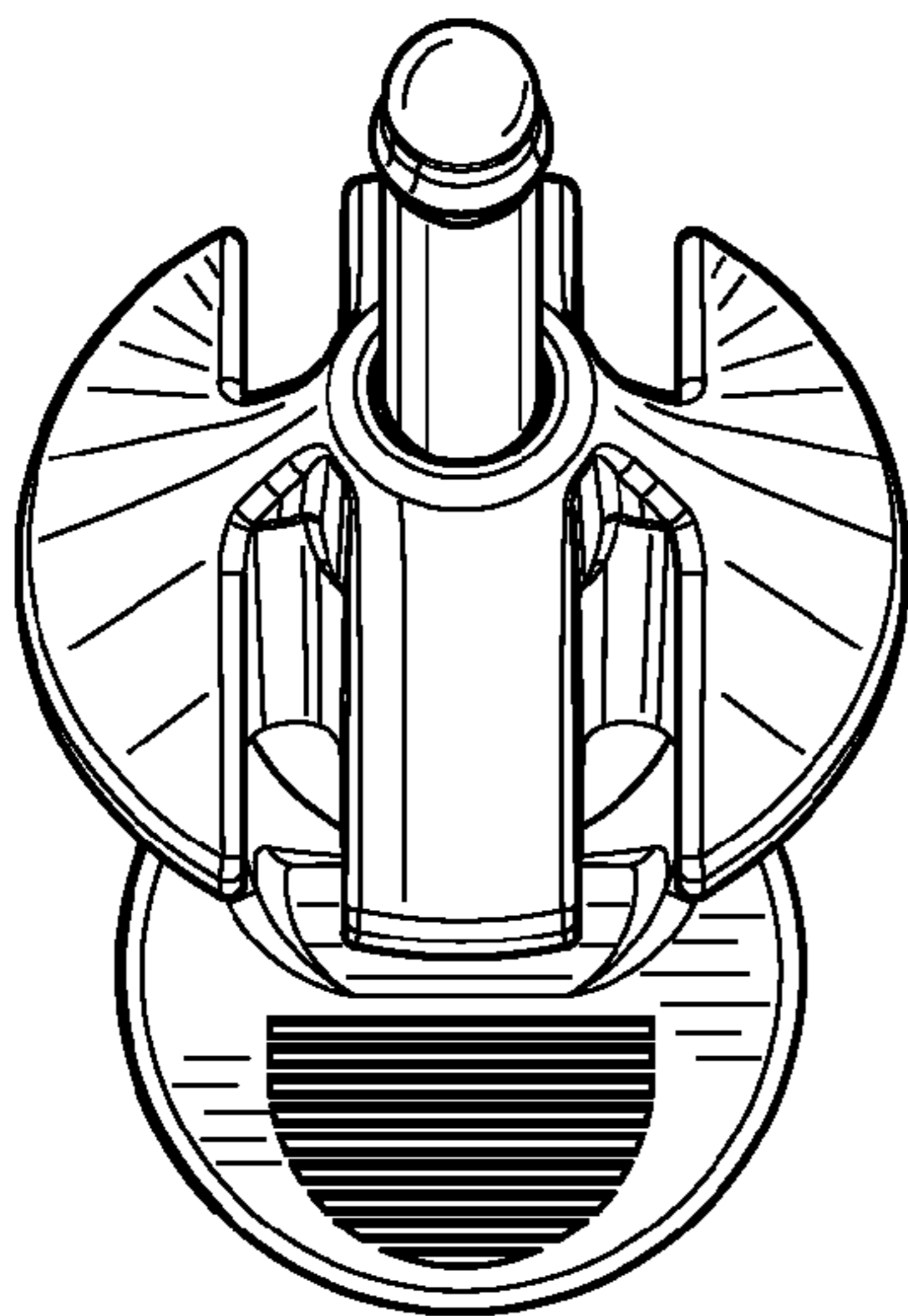


FIG. 6

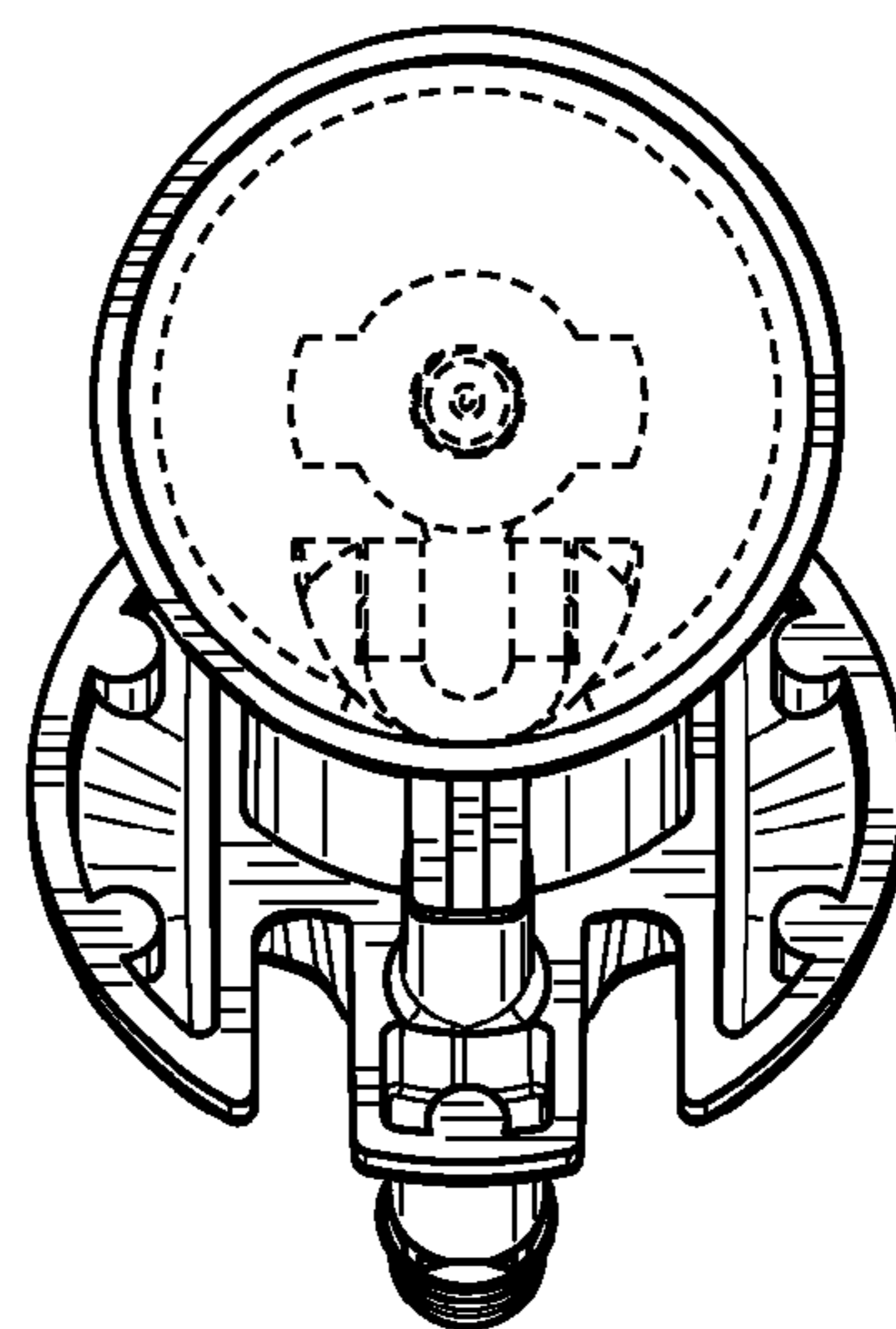


FIG. 7

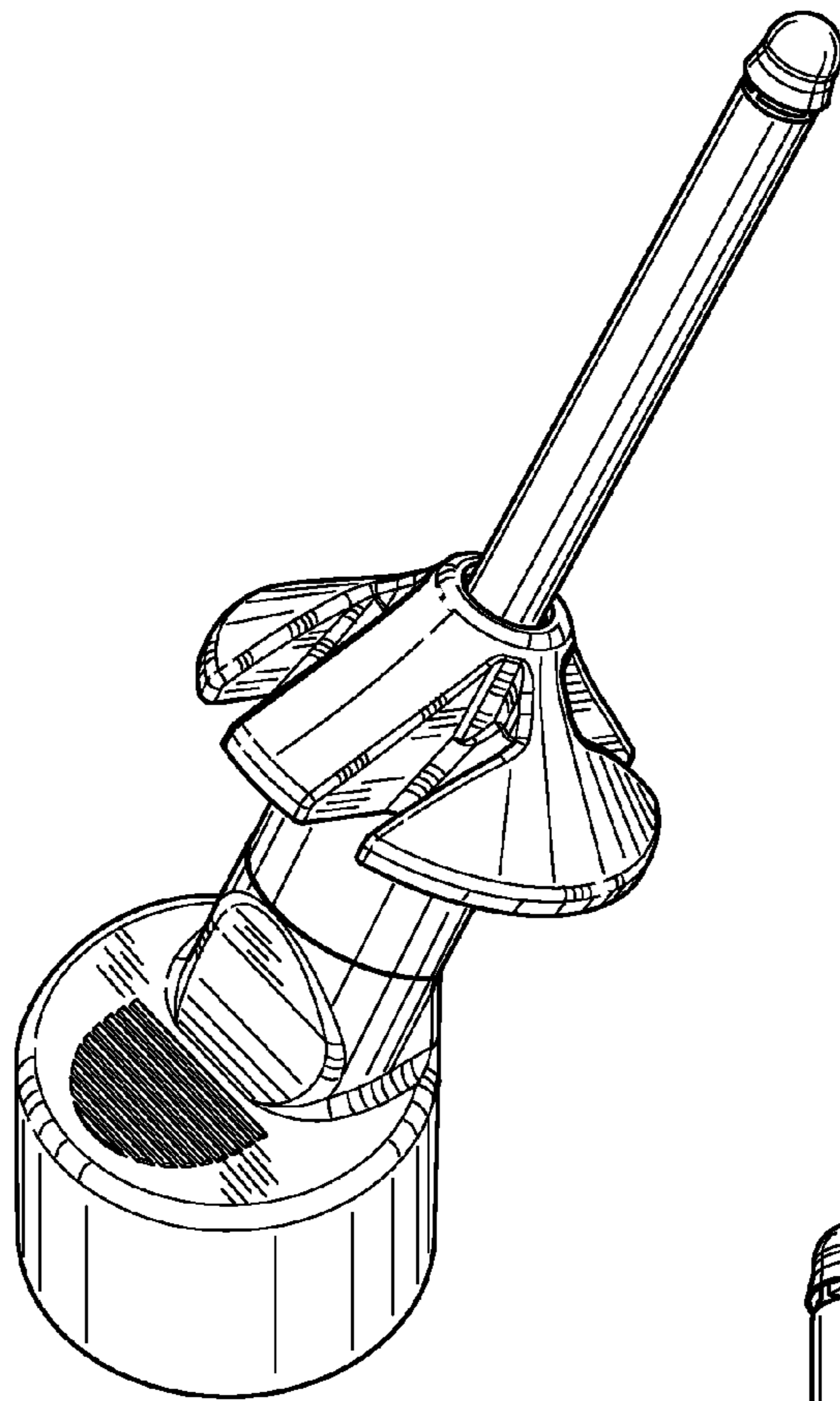


FIG. 8

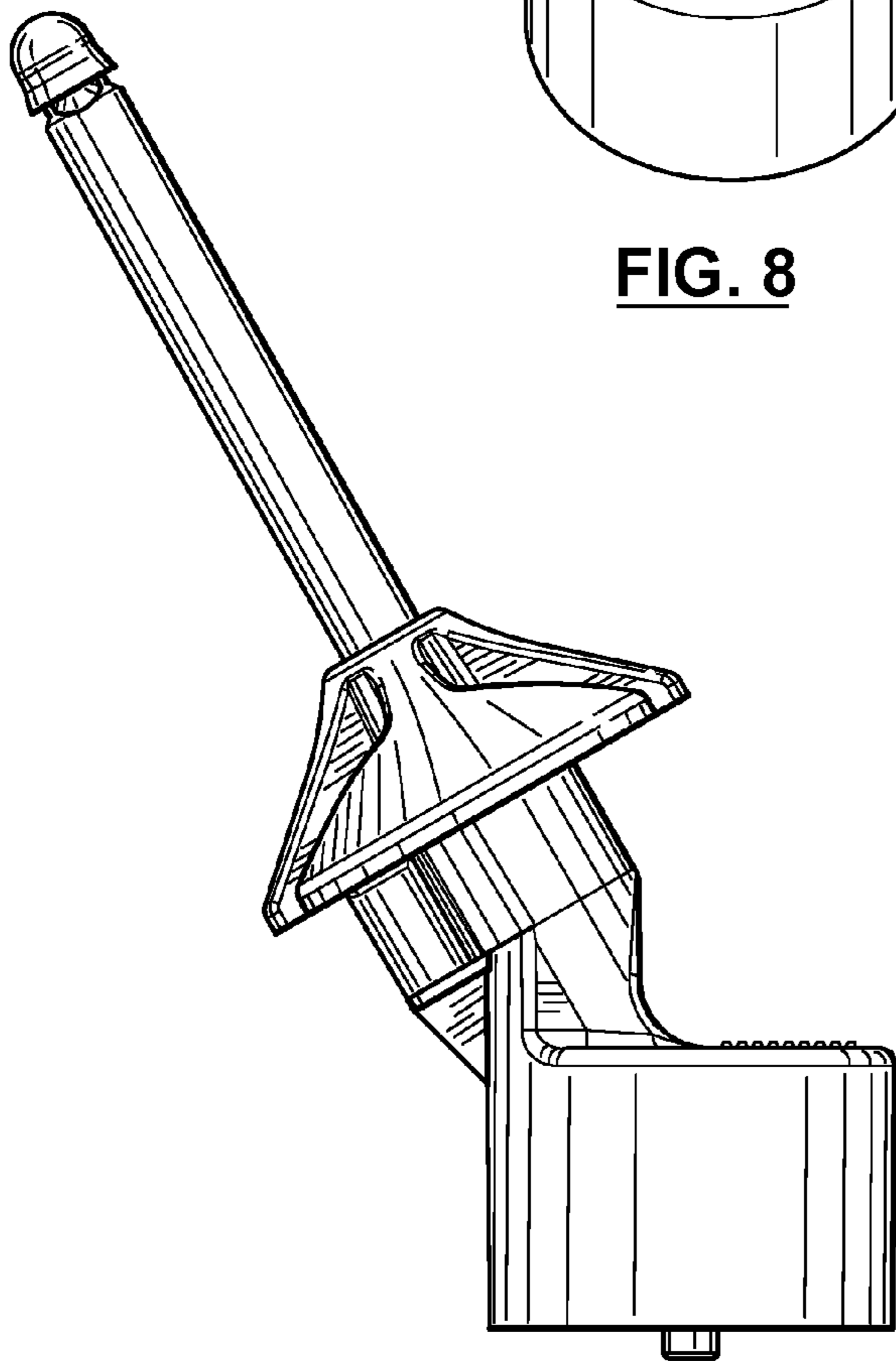


FIG. 9

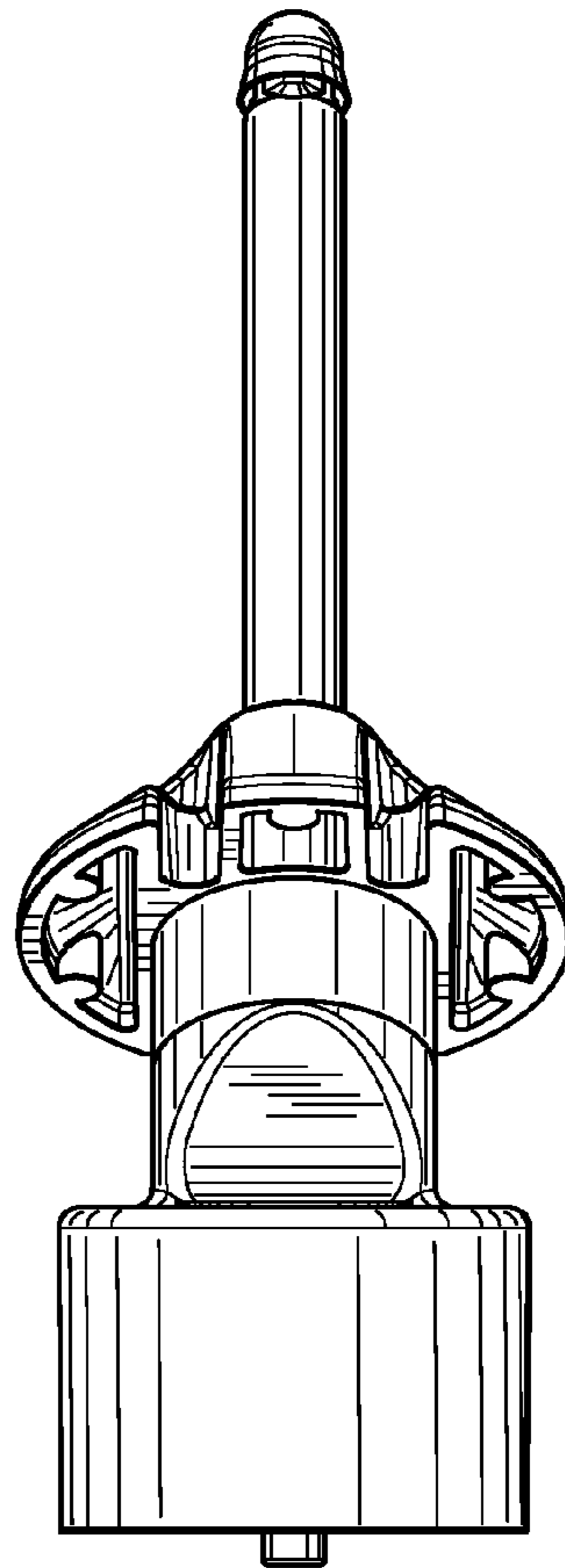


FIG. 10

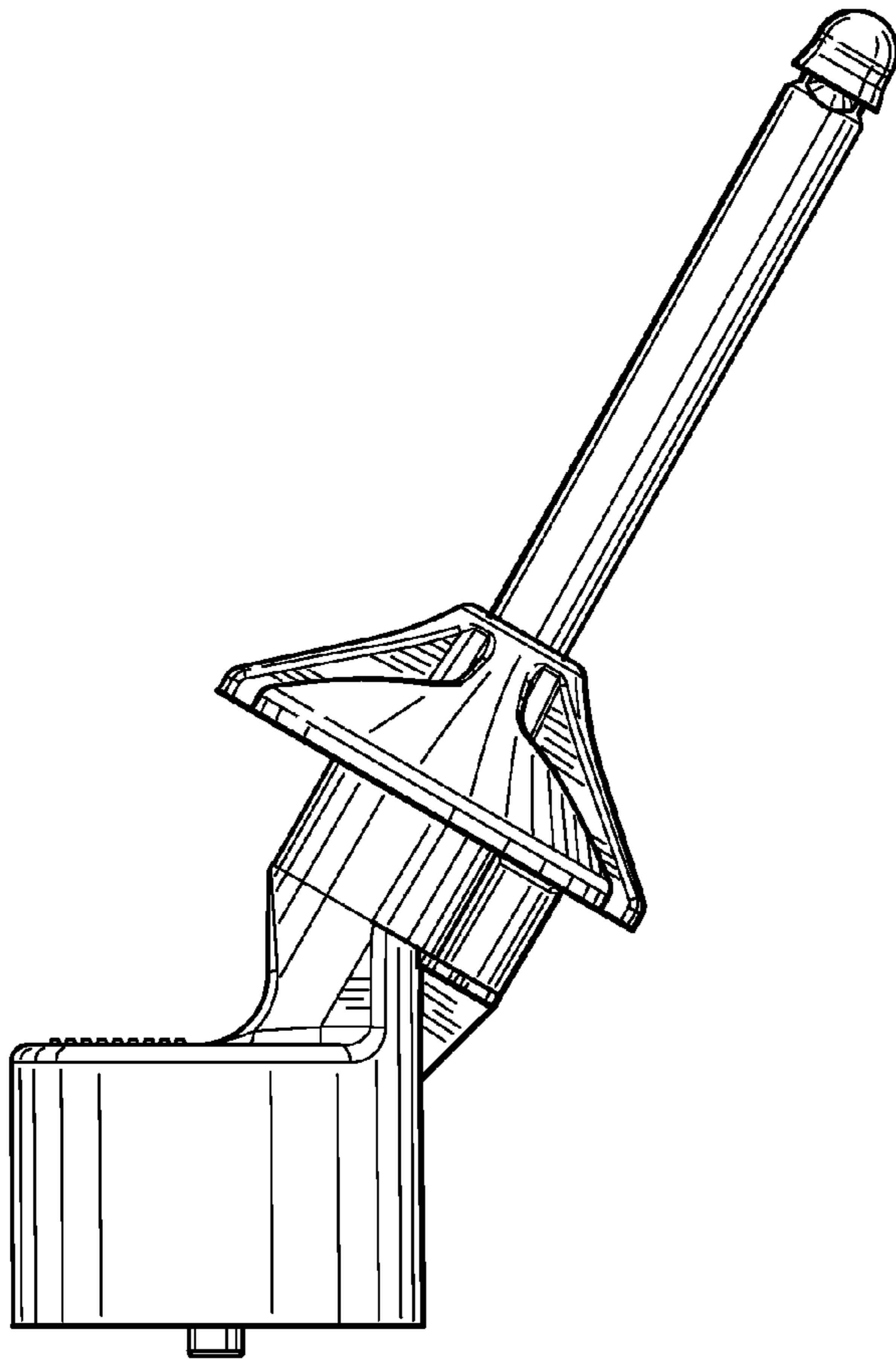


FIG. 11

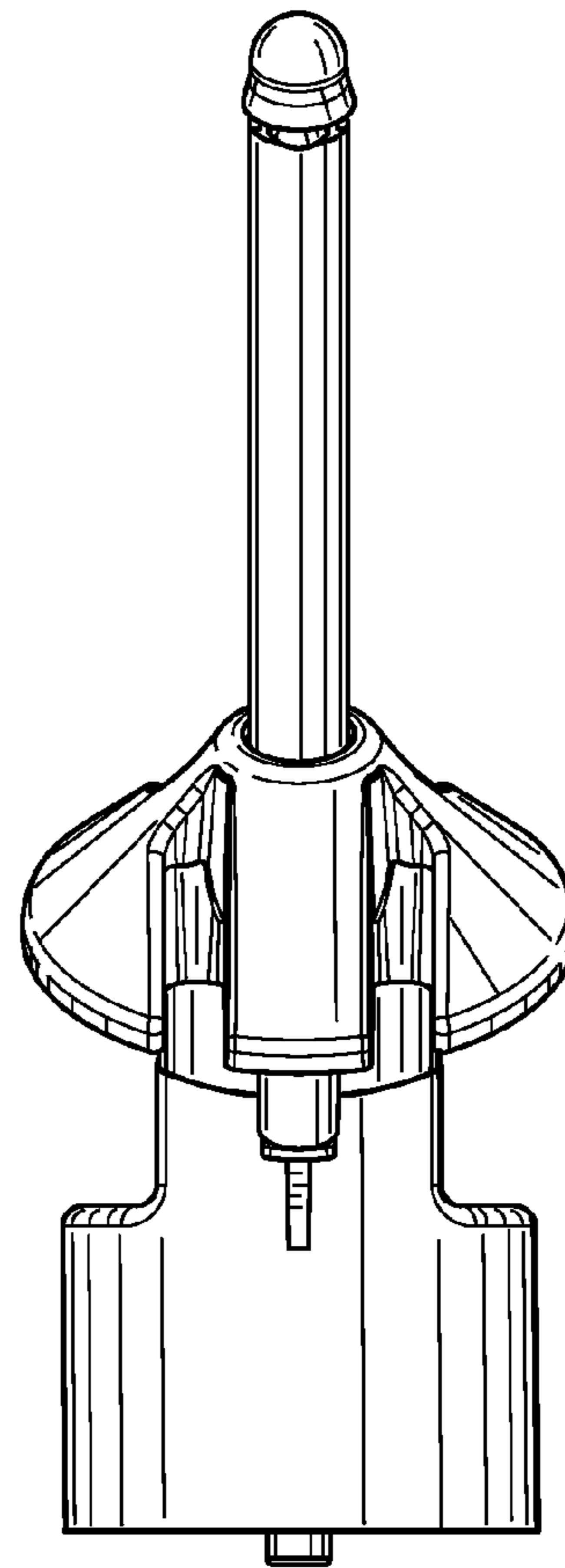


FIG. 12

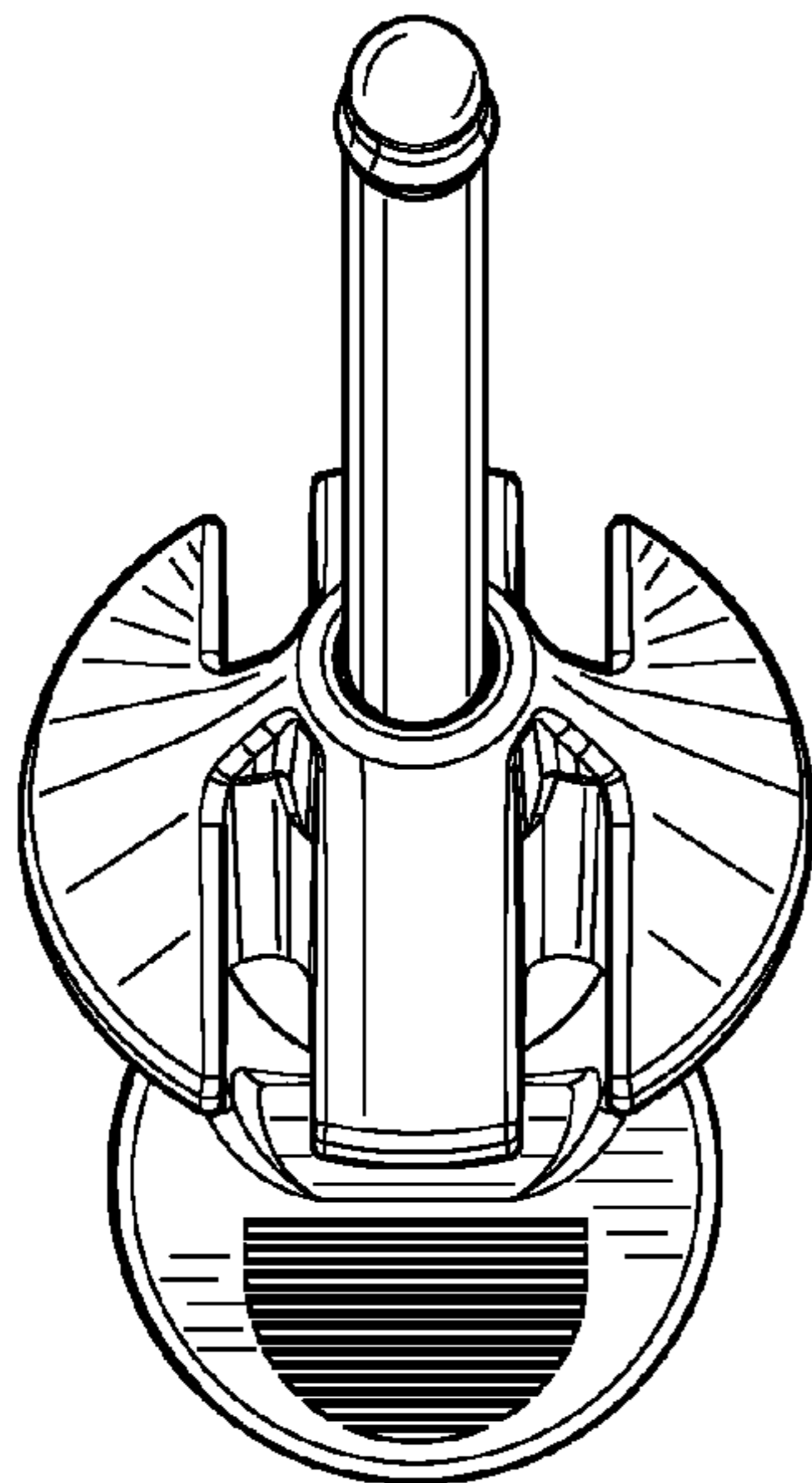


FIG. 13

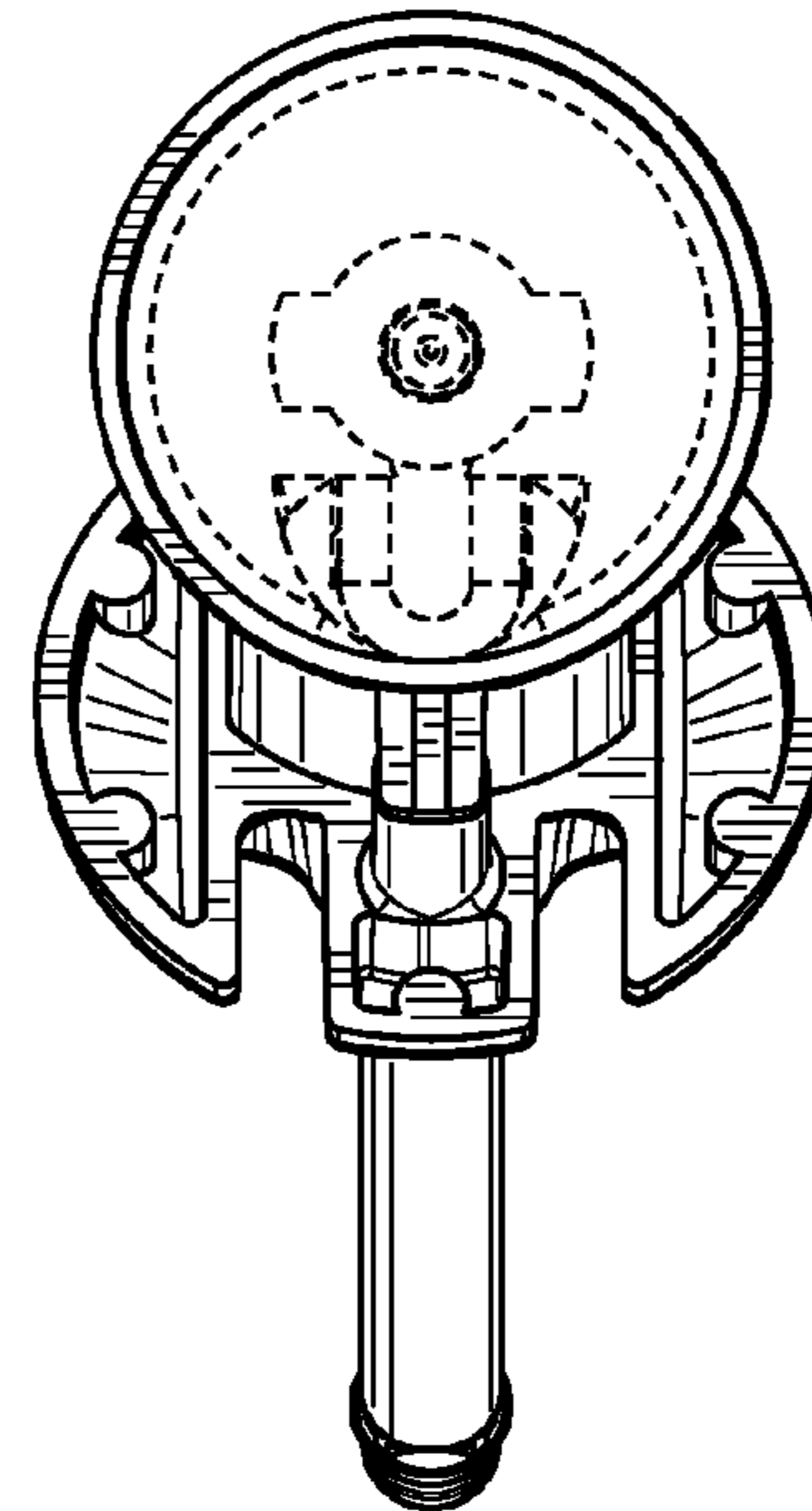


FIG. 14