



US00D573248S

(12) **United States Design Patent**  
**Ryan et al.**

(10) **Patent No.:** **US D573,248 S**  
(45) **Date of Patent:** **\*\* Jul. 15, 2008**

(54) **BURNER CONTROLLER COVER**  
(75) Inventors: **Howard Scott Ryan**, Skaneateles, NY (US); **David T. Middleton, Jr.**, Skaneateles, NY (US); **John P. Graham**, Elyria, OH (US)

(73) Assignee: **R. W. Beckett Corporation**, North Ridgeville, OH (US)

(\*\*) Term: **14 Years**

(21) Appl. No.: **29/270,017**

(22) Filed: **Dec. 13, 2006**

(51) **LOC (8) Cl.** ..... **23-03**

(52) **U.S. Cl.** ..... **D23/418**

(58) **Field of Classification Search** ..... D23/314,  
D23/32, 403-410, 415-422, 343, 345, 347-350,  
D23/373, 374, 393, 499; D7/332, 333, 335,  
D7/402, 407, 408; 52/58, 218, 219; 126/9 A,  
126/9 B, 9 R, 39 H, 39 R, 58, 144, 215, 218,  
126/219, 245, 500, 509, 510, 519, 540, 544,  
126/546, 547, 555; 150/154, 165; 428/15,  
428/21, 102; 454/12; D15/5; 137/66; 431/258  
See application file for complete search history.

(56) **References Cited**

**U.S. PATENT DOCUMENTS**

D122,295 S \* 9/1940 Herr ..... D23/416  
D129,876 S \* 10/1941 Van Doren et al. .... D23/396  
D149,844 S \* 6/1948 Schinman ..... D23/418  
D152,668 S \* 2/1949 Beckett ..... D23/416  
D190,981 S \* 7/1961 Eklund ..... D23/416  
5,177,962 A \* 1/1993 Hall et al. .... 60/311  
5,287,832 A \* 2/1994 Uhl ..... 123/185.3  
6,520,141 B2 \* 2/2003 Ryczek et al. .... 123/198 E  
D498,977 S \* 11/2004 Chung ..... D7/402  
D522,533 S \* 6/2006 Diulio ..... D15/5  
D525,991 S \* 8/2006 Walters ..... D15/5  
D527,022 S \* 8/2006 Walters ..... D15/5

D527,221 S \* 8/2006 Chung ..... D7/402  
D532,794 S \* 11/2006 Glass ..... D15/5  
7,131,462 B1 \* 11/2006 Chen ..... 137/883  
D540,938 S \* 4/2007 Graham et al. .... D23/416  
D543,216 S \* 5/2007 Glass ..... D15/5  
2006/0102129 A1 \* 5/2006 Purdy et al. .... 123/185.3

\* cited by examiner

*Primary Examiner*—T. Chase Nelson

*Assistant Examiner*—Karen Acker

(74) *Attorney, Agent, or Firm*—Eschweiler & Associates, LLC

(57) **CLAIM**

We claim the ornamental design for a burner controller cover, as shown and described.

**DESCRIPTION**

FIG. 1 illustrates a top front and right side perspective view of a burner controller cover such as may be used in association with a controller of a fuel oil burner according to one exemplary aspect of the present invention.

FIG. 2 illustrates a top front and right side perspective view of the burner controller cover of FIG. 1.

FIG. 3 illustrates a top plan view of the burner controller cover of FIG. 1.

FIG. 4 illustrates a front side elevation view of the burner controller cover of FIG. 1.

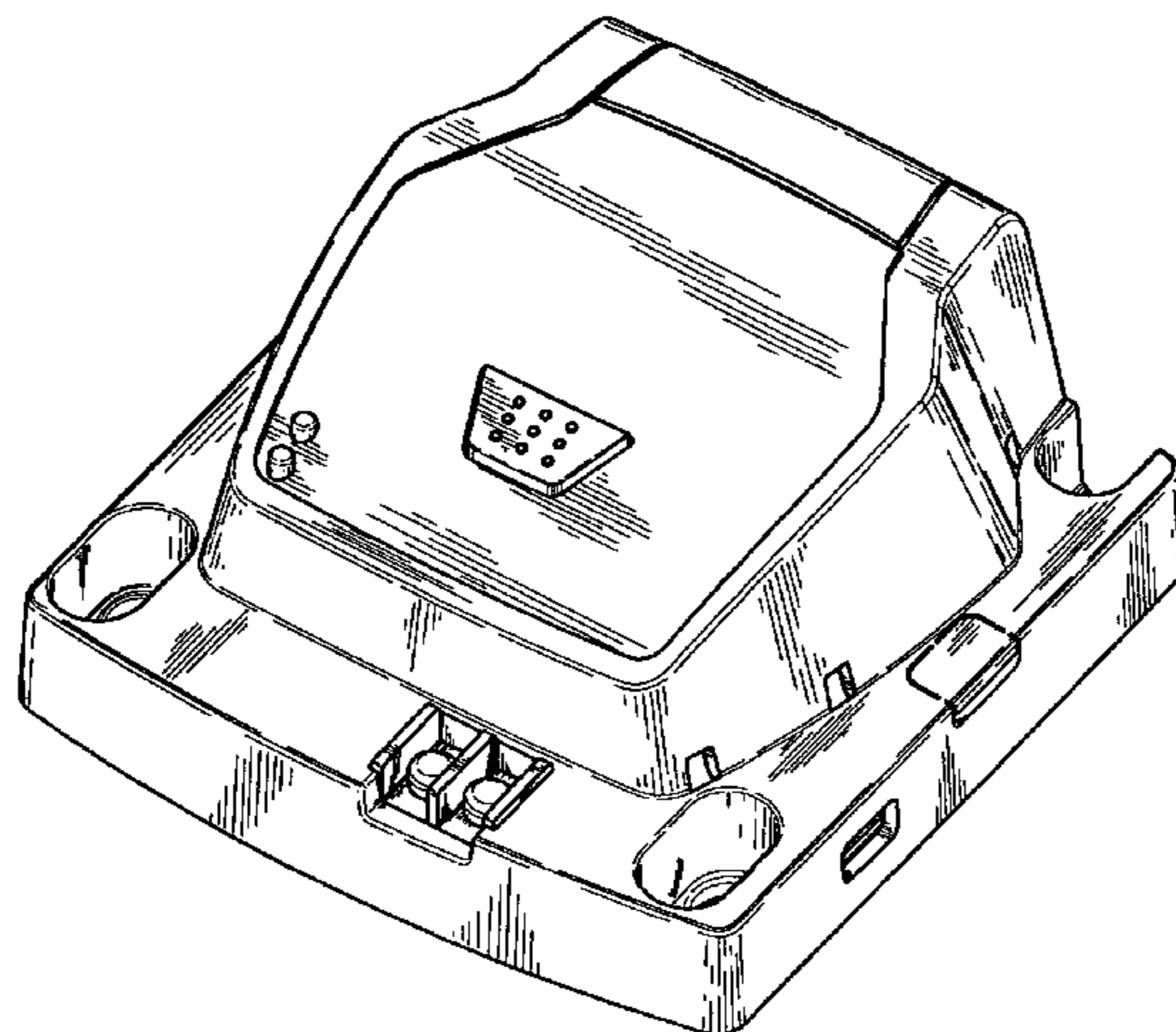
FIG. 5 illustrates a rear side elevation view of the burner controller cover of FIG. 1.

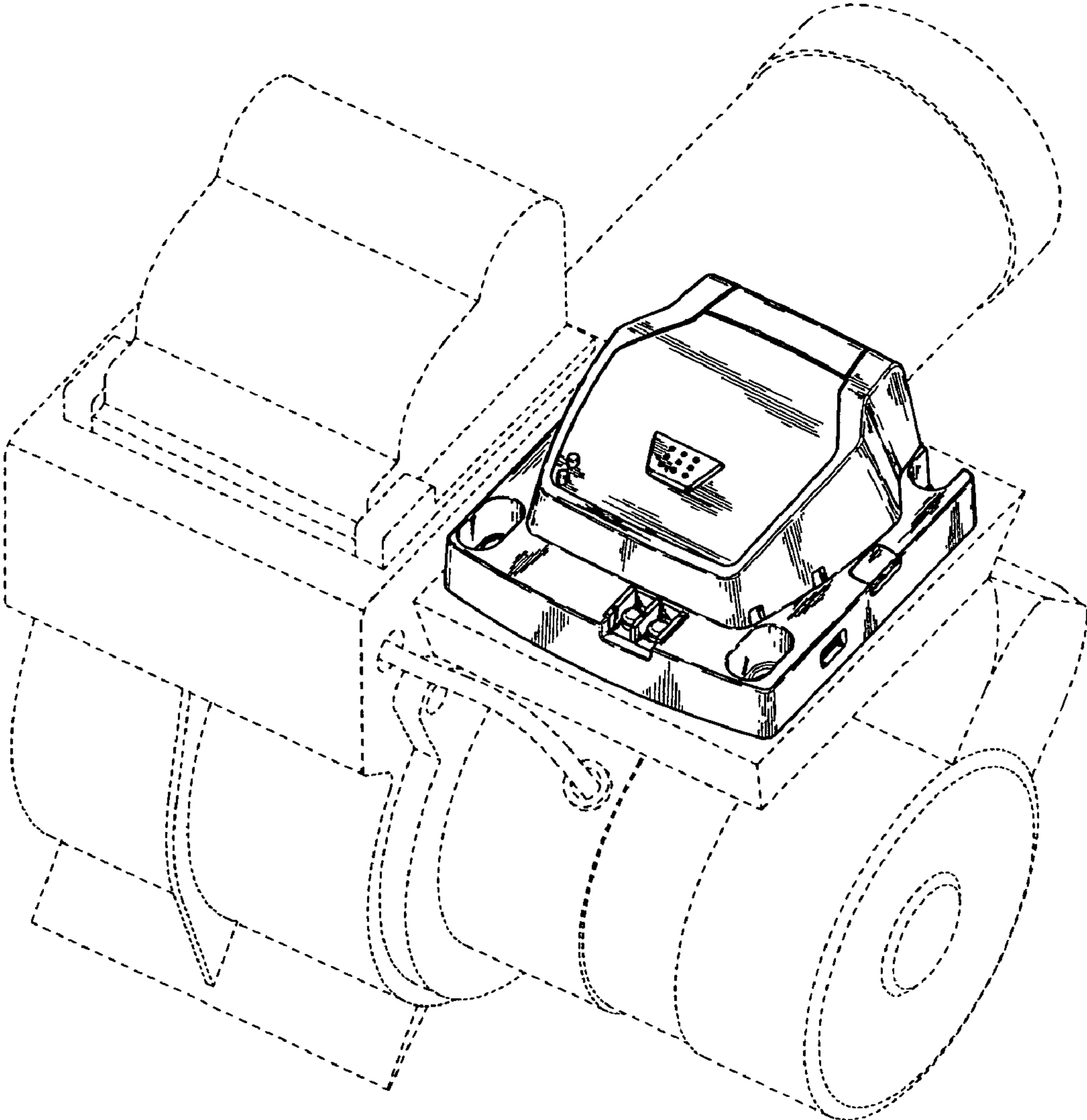
FIG. 6 illustrates a right side elevation view of the burner controller cover of FIG. 1; and,

FIG. 7 illustrates a left side elevation view of the burner controller cover of FIG. 1.

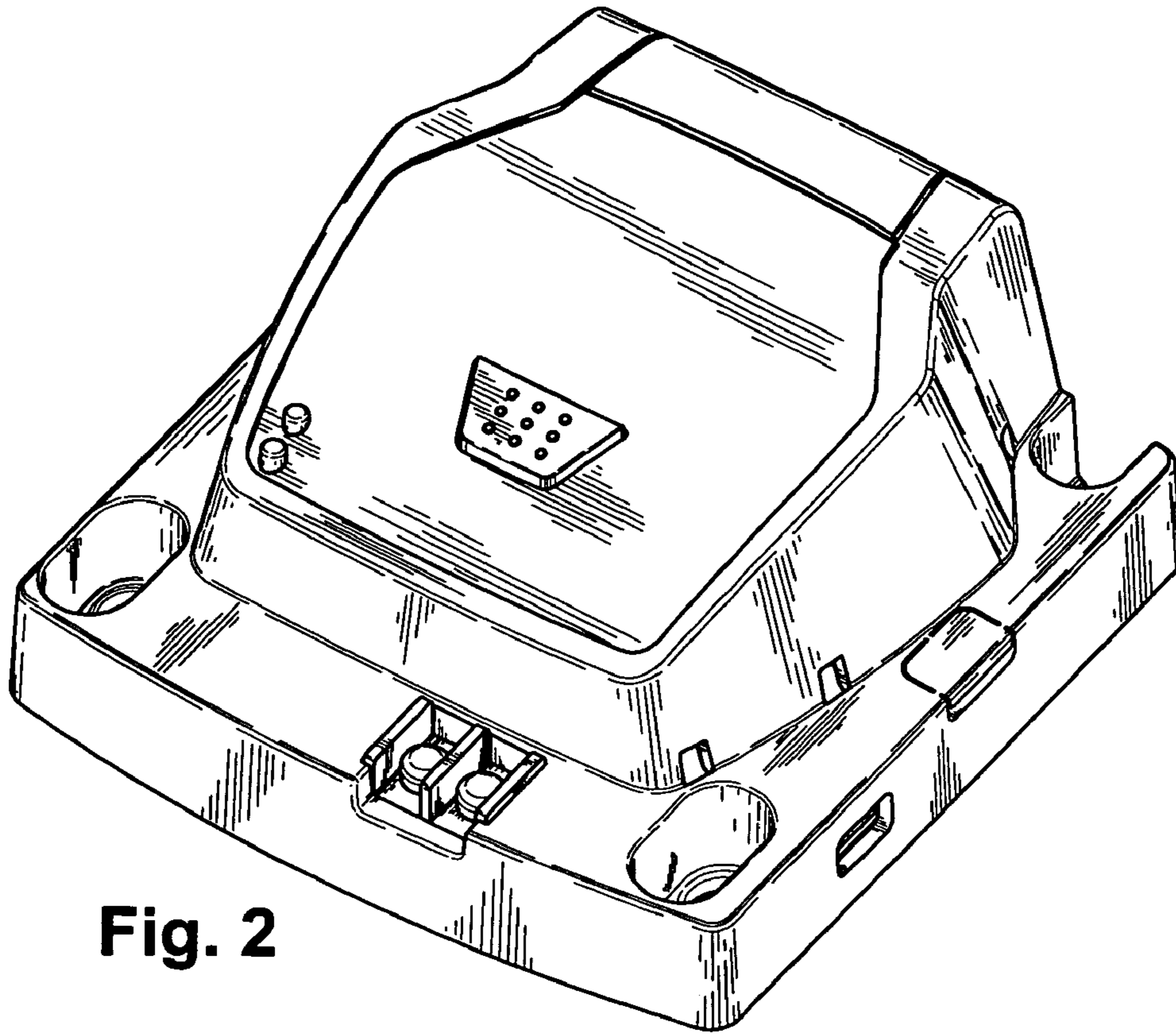
The broken lines shown in FIG. 1 are for illustrative purposes only and form no part of the claimed design.

**1 Claim, 4 Drawing Sheets**

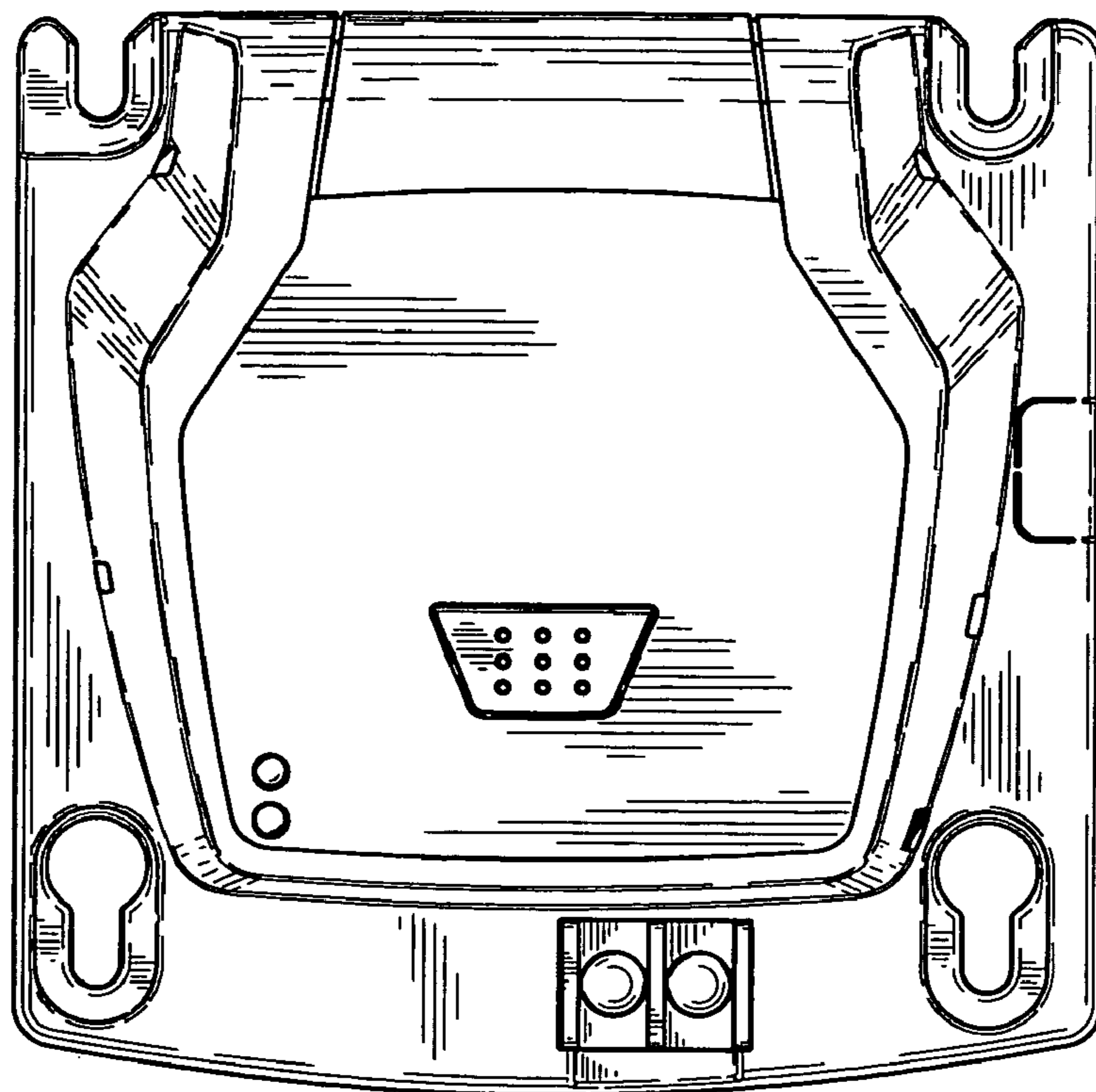




**Fig. 1**

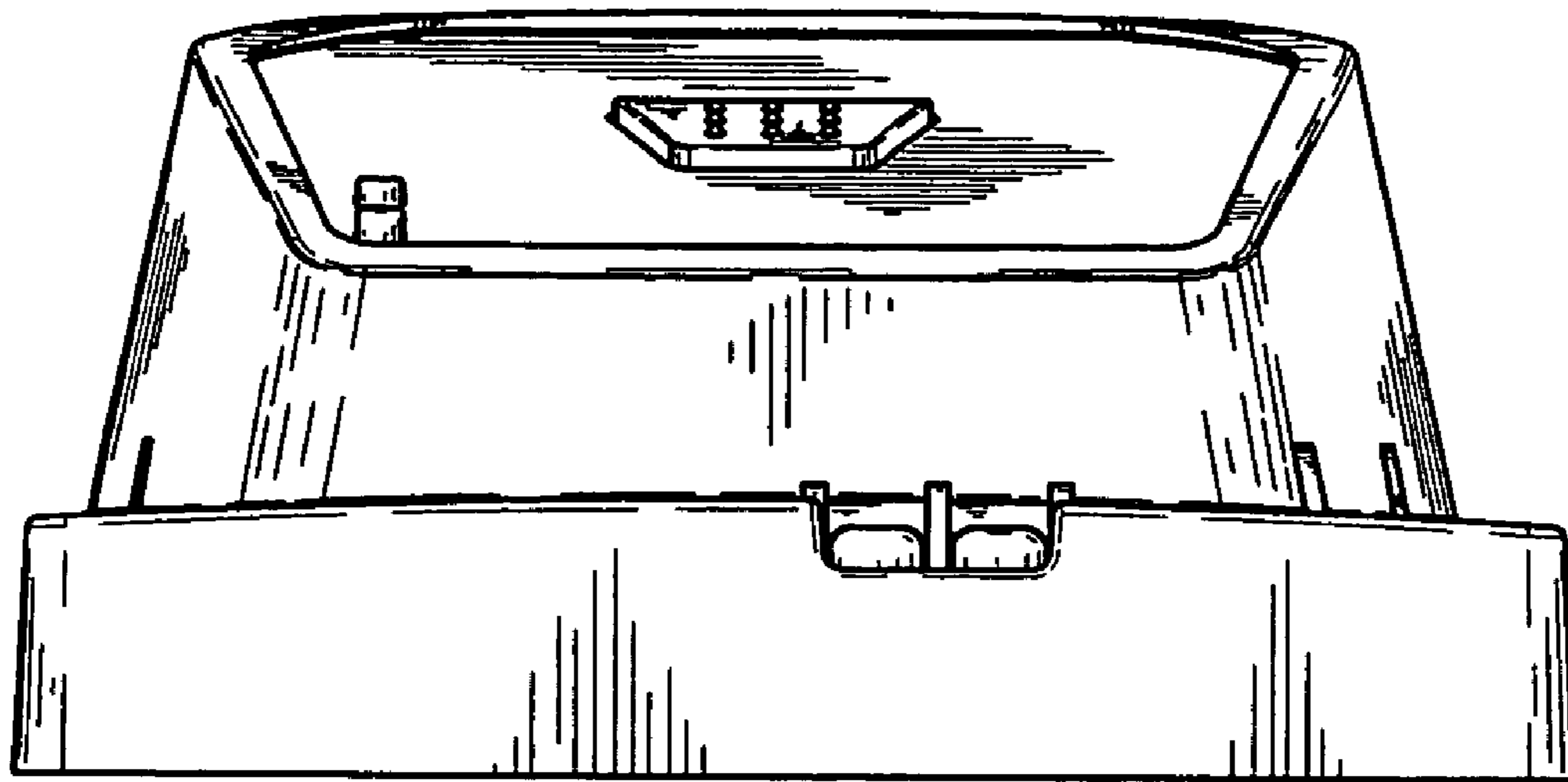


**Fig. 2**

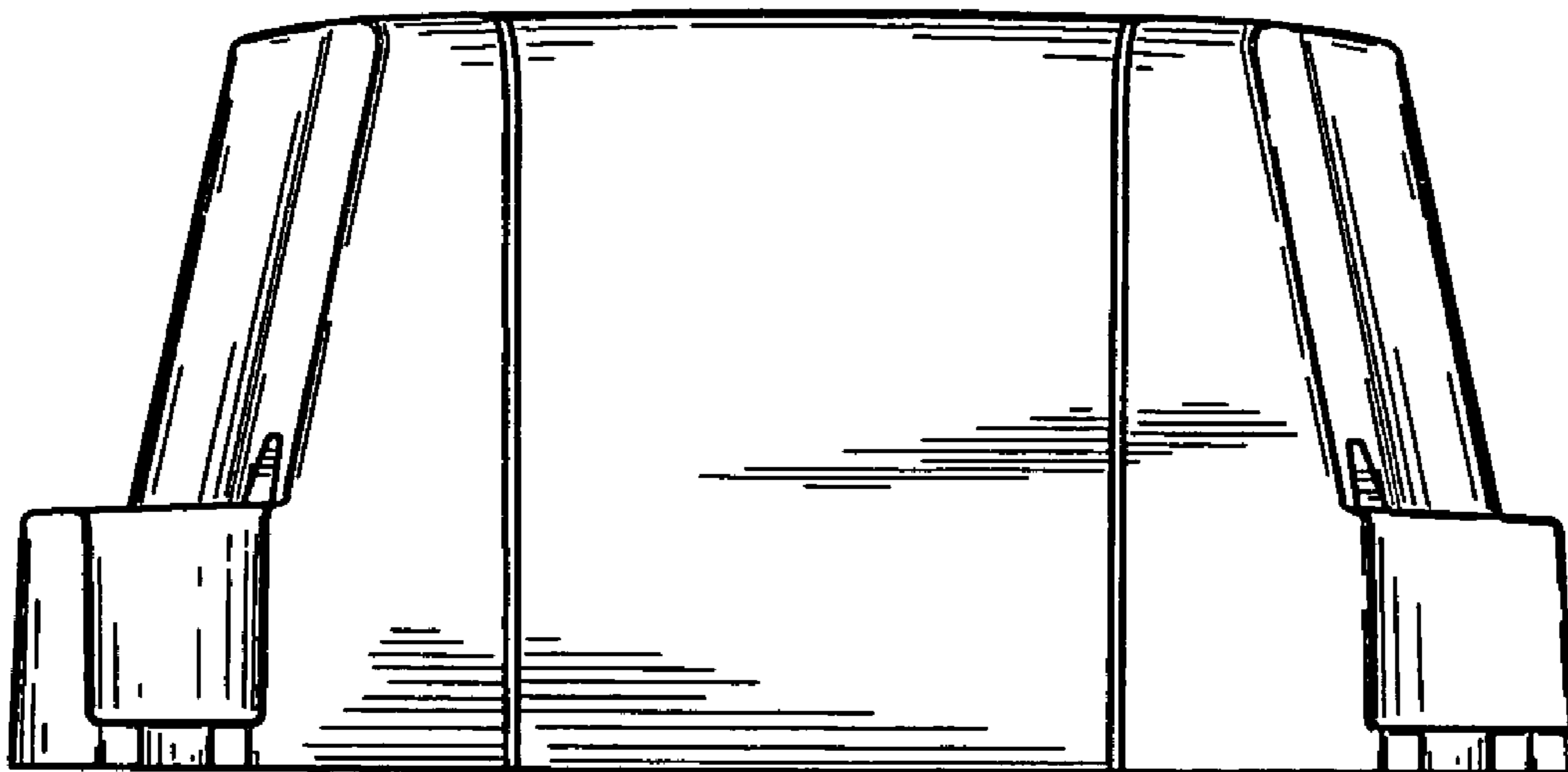


**Fig. 3**

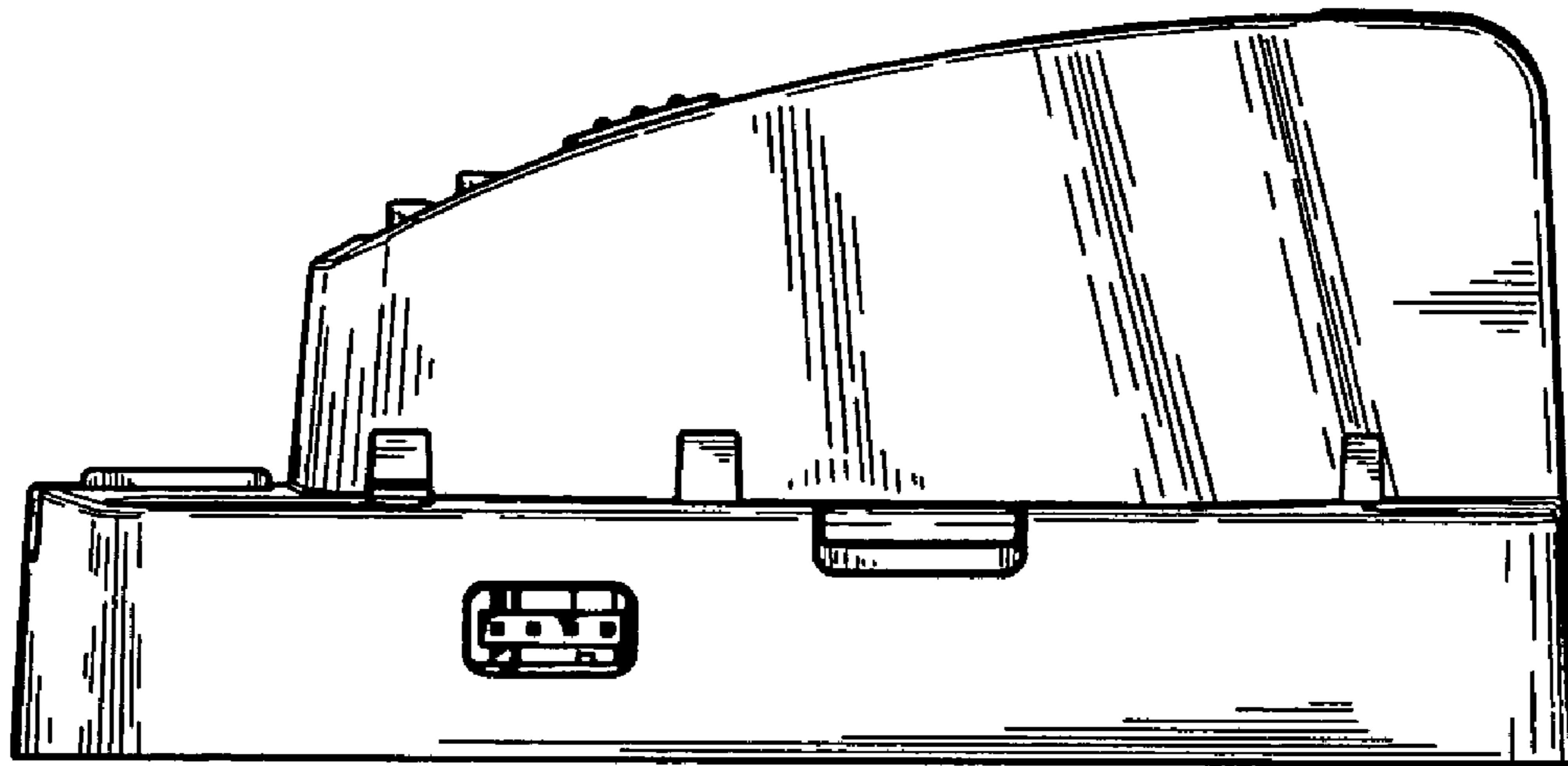




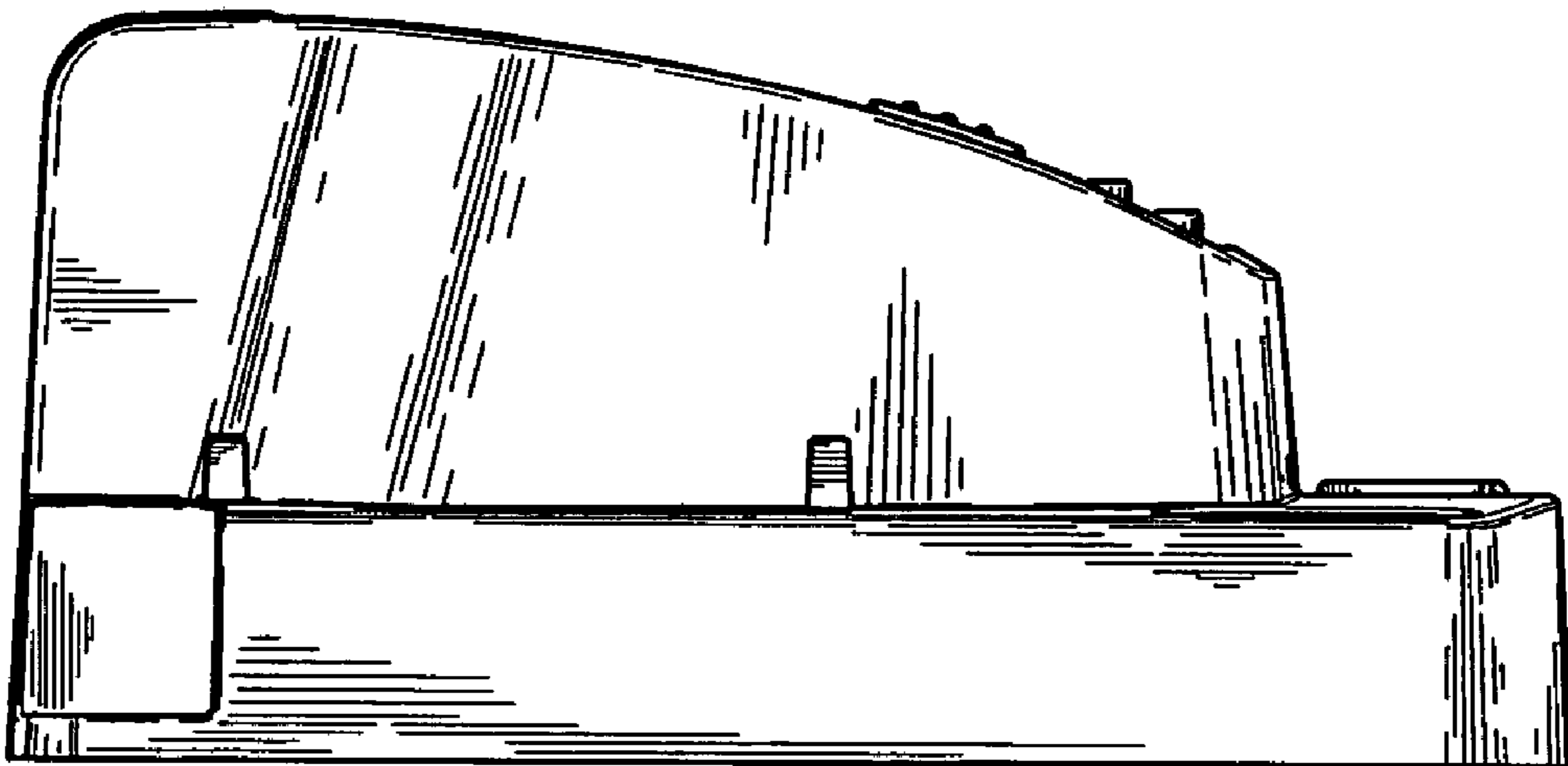
**Fig. 4**



**Fig. 5**



**Fig. 6**



**Fig. 7**