



US00D573246S

(12) **United States Design Patent**
Teiber et al.

(10) **Patent No.:** **US D573,246 S**

(45) **Date of Patent:** **** Jul. 15, 2008**

(54) **CEILING FAN HOUSING**

D404,479 S * 1/1999 Yang D23/377

* cited by examiner

(75) Inventors: **Todd Teiber**, Plano, TX (US); **Brett Curtin**, Scottsdale, AZ (US); **Walter Brookins**, Mesquite, TX (US)

Primary Examiner—Lisa P Lichtenstein
(74) *Attorney, Agent, or Firm*—Munsch, Hardt, Kopf & Harr PC

(73) Assignee: **Craftmade International, Inc.**, Coppell, TX (US)

(57) **CLAIM**

(**) Term: **14 Years**

The ornamental design for a ceiling fan housing, as shown and described.

(21) Appl. No.: **29/301,854**

DESCRIPTION

(22) Filed: **Mar. 18, 2008**

FIG. 1 is a perspective view of the ceiling fan housing showing my new design in use;

(51) **LOC (8) Cl.** **23-04**

FIG. 2 front elevational view thereof;

(52) **U.S. Cl.** **D23/411**

FIG. 3 is a rear elevational view thereof;

(58) **Field of Classification Search** D23/377,

FIG. 4 is a top plan view thereof; and,

D23/379, 385, 411, 413; 416/5

FIG. 5 is a bottom plan view thereof.

See application file for complete search history.

The broken line showing of the support rod, blades, blade irons and apertures is included for the purpose of illustrating environmental structure and forms no part of the claimed design.

(56) **References Cited**

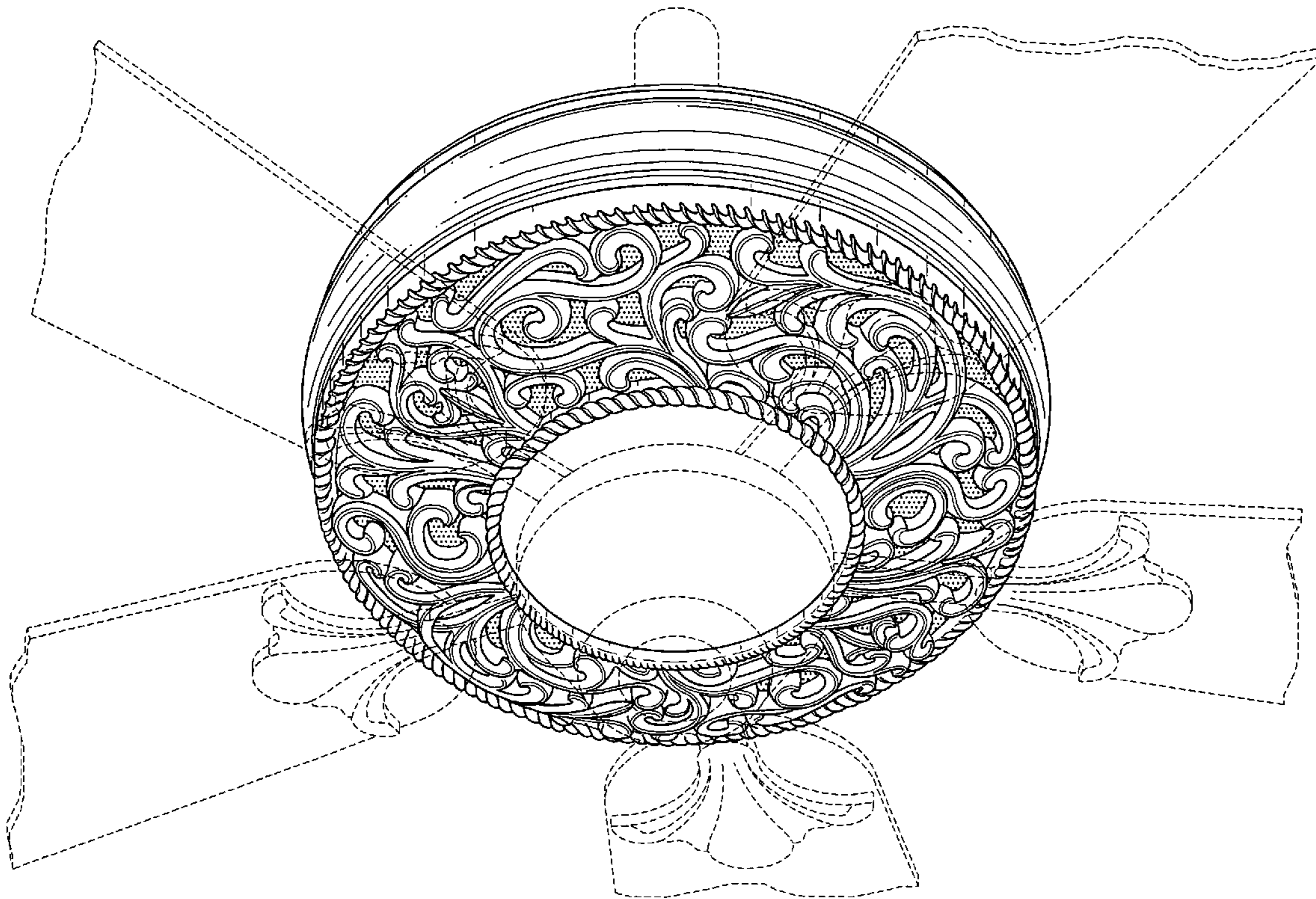
U.S. PATENT DOCUMENTS

D378,404 S * 3/1997 Jaspers-Fayer D23/377

D381,742 S * 7/1997 Tsuji D23/377

D382,638 S * 8/1997 Davis, Jr. D23/411

1 Claim, 5 Drawing Sheets



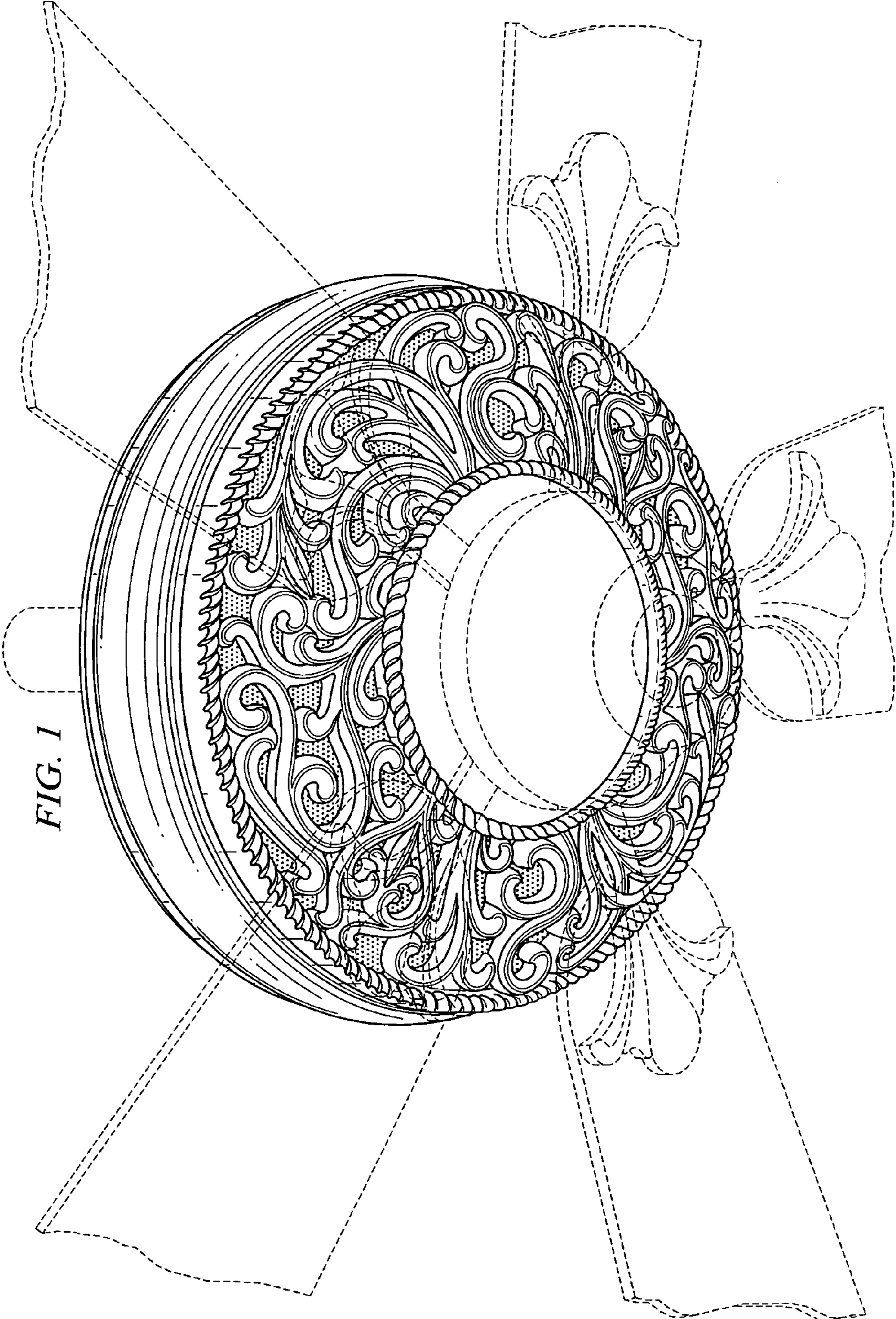


FIG. 1

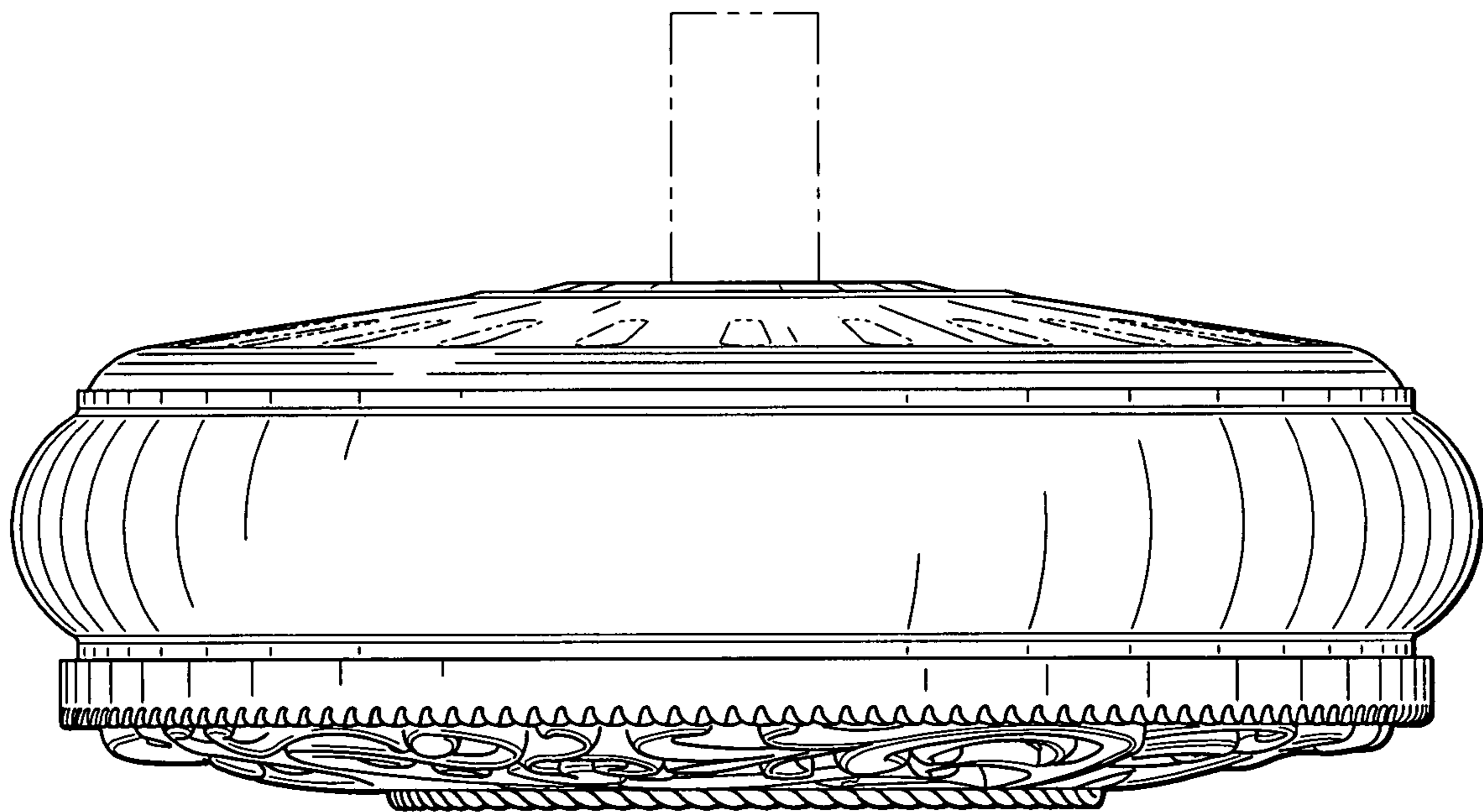


FIG. 2

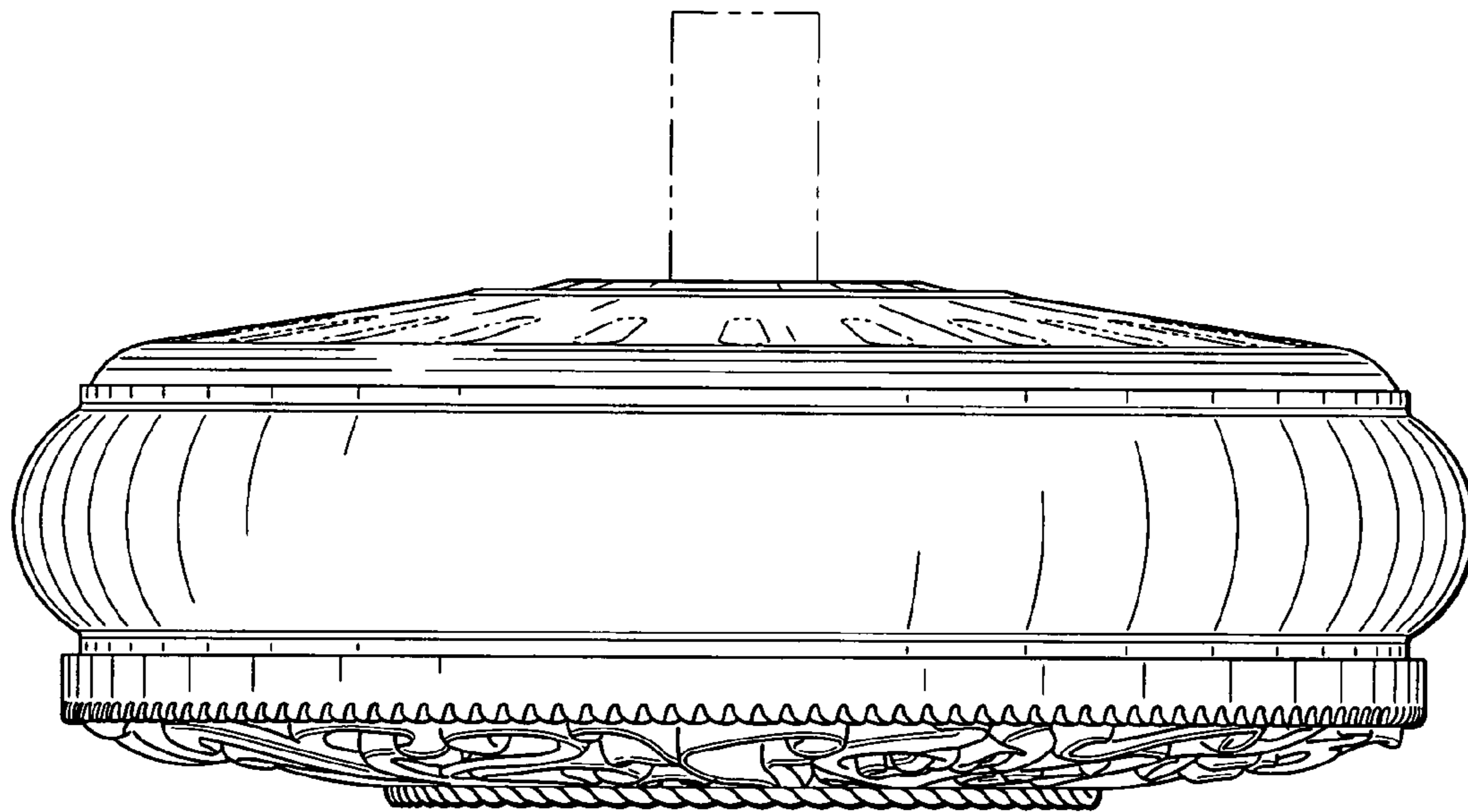


FIG. 3

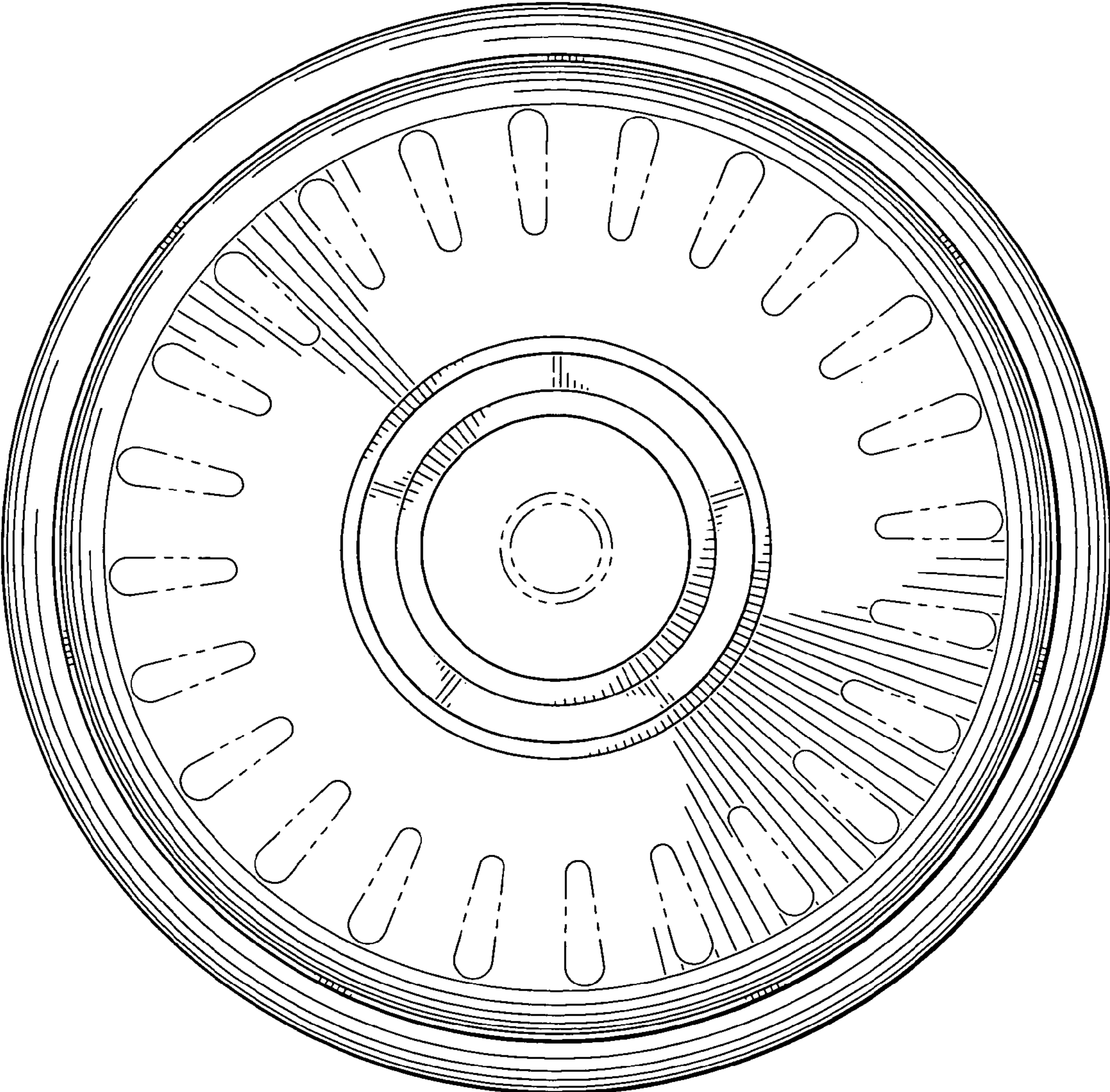


FIG. 4



FIG. 5