



US00D573244S

(12) **United States Design Patent**
Rowe

(10) **Patent No.:** **US D573,244 S**
(45) **Date of Patent:** **** Jul. 15, 2008**

(54) **COMBINED DUST COVER AND AIR FILTER FOR A FAN BLADE**

Primary Examiner—Lisa Lichtenstein

(76) **Inventor:** **Robin D. Rowe**, 9204 Robson St. W.,
Tampa, FL (US) 33615

(57) **CLAIM**

(**) **Term:** **14 Years**

I claim the ornamental design for combined dust cover and air filter for a fan blade, as shown and described.

(21) **Appl. No.:** **29/283,238**

DESCRIPTION

(22) **Filed:** **Aug. 8, 2007**

(51) **LOC (8) Cl.** **23-04**

(52) **U.S. Cl.** **D23/411**

(58) **Field of Classification Search** D23/377,
D23/379, 385, 411, 413; 416/5

FIG. 1 is a perspective view of a combined dust cover and air filter for a fan blade, showing my new design;

FIG. 2 is a front elevational view of the invention;

FIG. 3 is a rear elevational view of the invention;

FIG. 4 is a left-side elevational view of the invention, the right-side elevational view being a mirror image thereof;

FIG. 5 is a top plan view of the invention; and,

FIG. 6 is a bottom plan view of the invention.

See application file for complete search history.

The broken line showing of the fan blade and the fan blade iron is included for the purpose of illustrating environmental structure and forms no part of the claimed design.

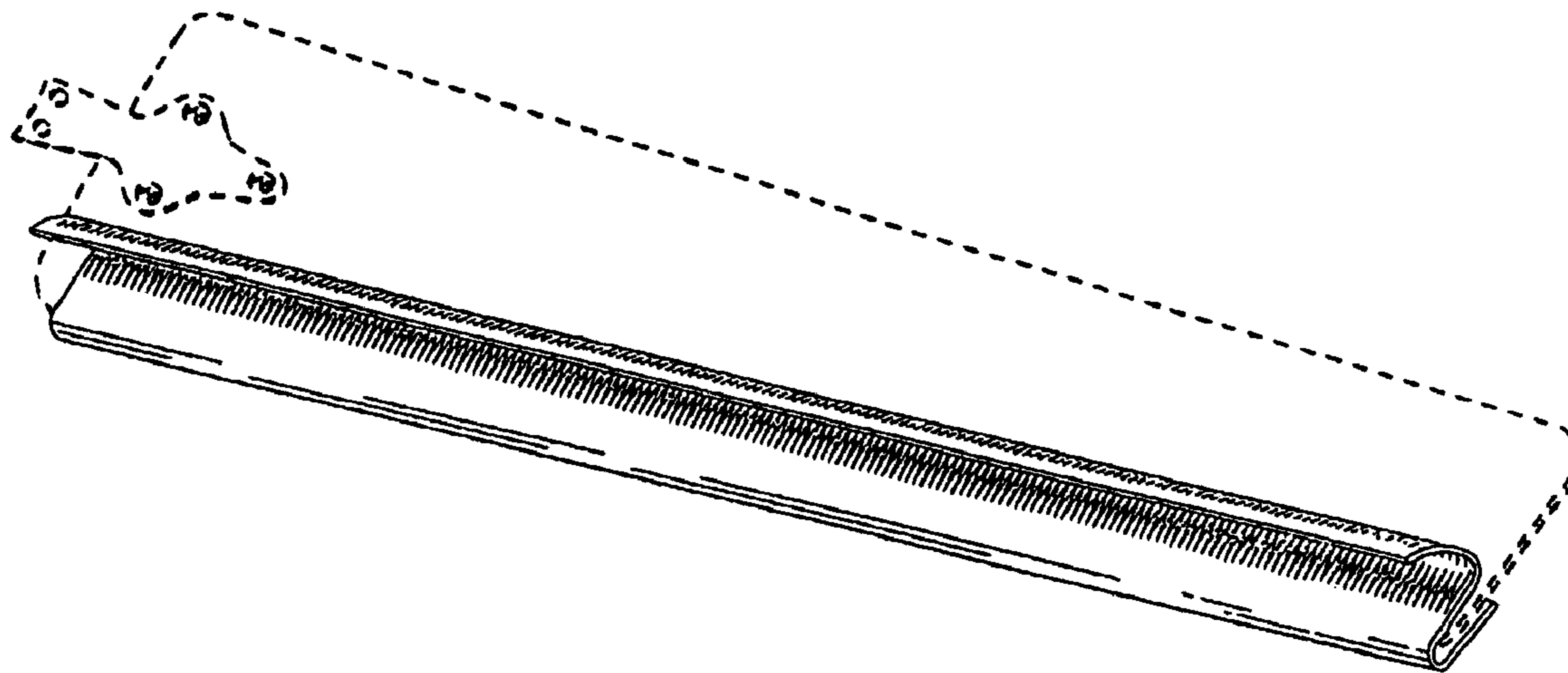
(56) **References Cited**

U.S. PATENT DOCUMENTS

4,753,573	A *	6/1988	McKnight	416/62
4,832,572	A *	5/1989	Prucha et al.	416/146 R
4,840,650	A *	6/1989	Matherne	55/385.1
D341,881	S *	11/1993	Smith et al.	D23/411
6,779,976	B1 *	8/2004	Carfagna et al.	416/5

* cited by examiner

1 Claim, 2 Drawing Sheets



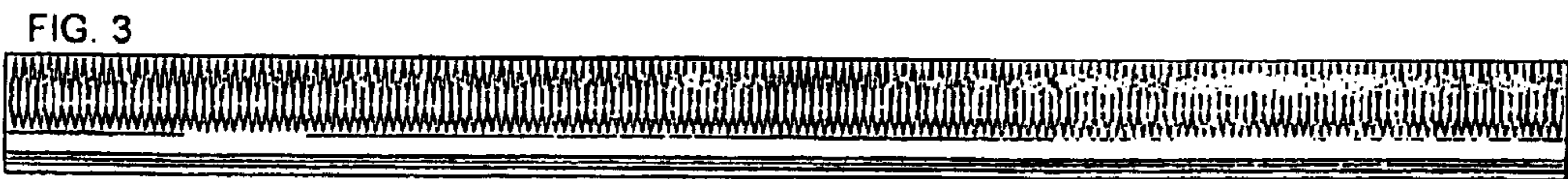
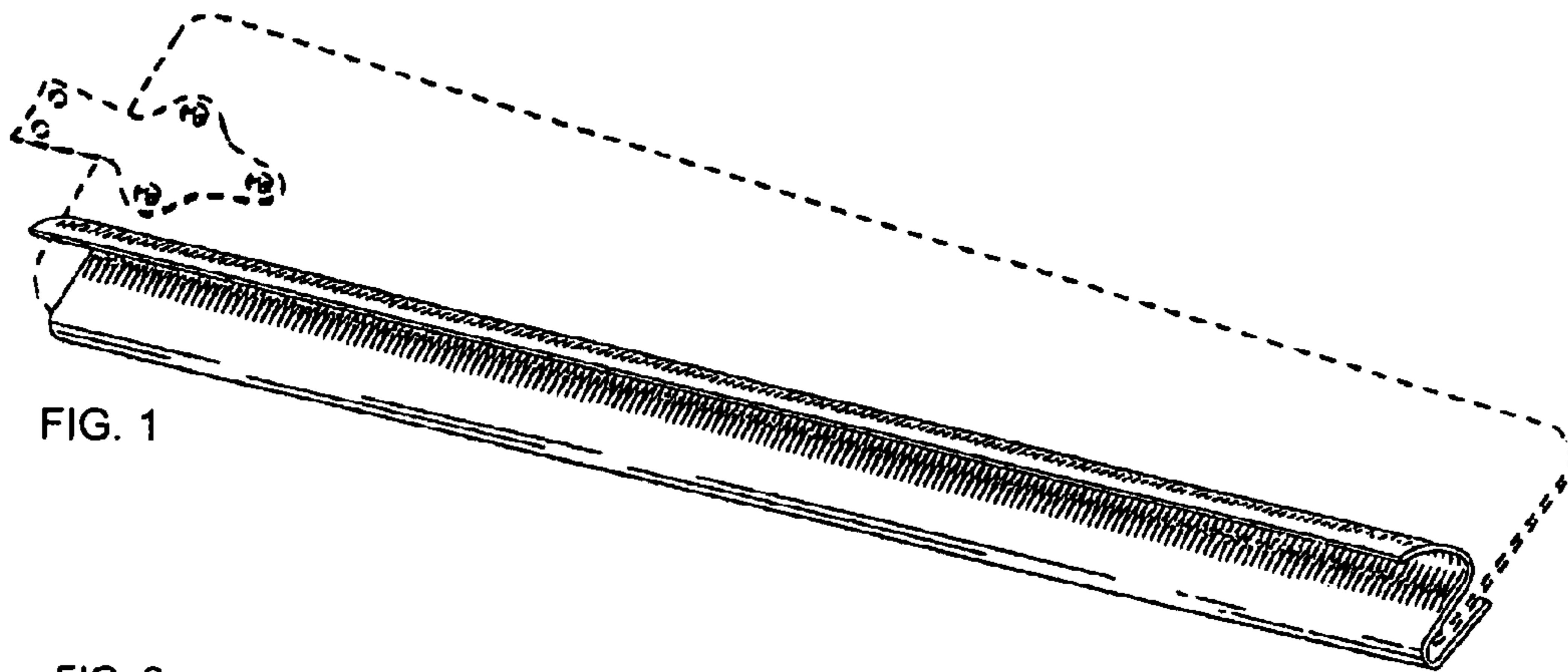




FIG. 4

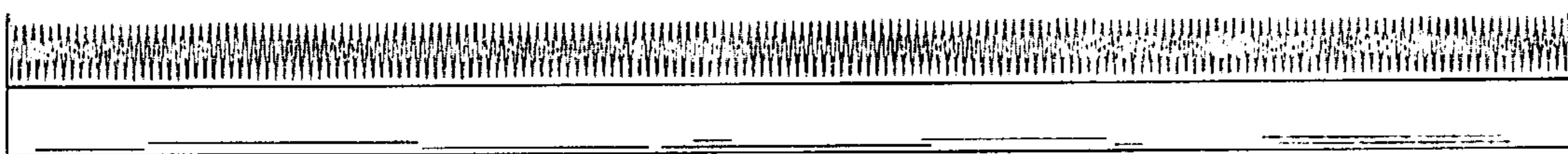


FIG. 5

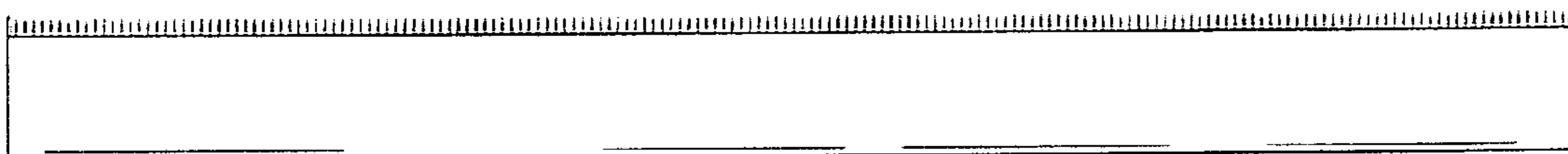


FIG. 6