



US00D573243S

(12) **United States Design Patent**
Pan

(10) **Patent No.:** **US D573,243 S**
(45) **Date of Patent:** **** Jul. 15, 2008**

(54) **CEILING FAN**
(75) Inventor: **Peter Pan**, Shetzu (TW)
(73) Assignee: **Air Cool Industrial Co., Ltd.**, Taichung (TW)
(**) Term: **14 Years**
(21) Appl. No.: **29/298,568**
(22) Filed: **Dec. 7, 2007**
(51) **LOC (8) Cl.** **23-04**
(52) **U.S. Cl.** **D23/377**
(58) **Field of Classification Search** D23/377,
D23/379, 385, 411, 413; 416/5
See application file for complete search history.

D484,969 S 1/2004 Tai
D485,344 S 1/2004 Tai
D485,609 S 1/2004 Tai
D485,611 S 1/2004 Tai
D485,897 S 1/2004 Tai
D490,888 S 6/2004 Tai
D494,705 S 8/2004 Tai
D501,578 S 2/2005 Tai
D503,472 S 3/2005 Tai
D503,473 S 3/2005 Tai
D503,474 S 3/2005 Tai
D503,475 S 3/2005 Tai
D503,476 S 3/2005 Tai
D503,795 S 4/2005 Tai
D504,173 S 4/2005 Cohen
D505,197 S 5/2005 Tai
D505,724 S 5/2005 Tai
D507,644 S 7/2005 Tai
D507,830 S 7/2005 Pan
D510,428 S * 10/2005 Hidalgo D23/411
D515,199 S * 2/2006 Hidalgo D23/411
D530,811 S 10/2006 Ertze
D531,722 S 11/2006 Ertze
D532,901 S 11/2006 Ertze
D533,267 S 12/2006 Pan
D536,466 S 2/2007 Pan

(56) **References Cited**
U.S. PATENT DOCUMENTS

5,508,484 A 4/1996 Chen
D396,530 S 7/1998 Tai
D404,808 S 1/1999 Tai
D404,809 S 1/1999 Tai
D405,878 S 2/1999 Tai
D408,073 S 4/1999 Tai
D408,074 S 4/1999 Tai
D408,516 S 4/1999 Tai
D409,297 S 5/1999 Tai
6,059,531 A 5/2000 Tai
6,135,618 A 10/2000 Tai
6,259,025 B1 7/2001 Tai
6,379,116 B1 4/2002 Tai
D457,947 S 5/2002 Tai
6,392,146 B1 5/2002 Tai
D458,675 S 6/2002 Tai
D478,381 S 8/2003 Tai
D483,463 S 12/2003 Tai
D483,464 S 12/2003 Tai
D483,465 S 12/2003 Tai
D483,847 S 12/2003 Tai
D483,848 S 12/2003 Tai
D483,849 S 12/2003 Tai
D483,850 S 12/2003 Tai
D484,588 S 12/2003 Tai

(Continued)

Primary Examiner—Lisa P Lichtenstein
(74) *Attorney, Agent, or Firm*—Morrison & Foerster LLP

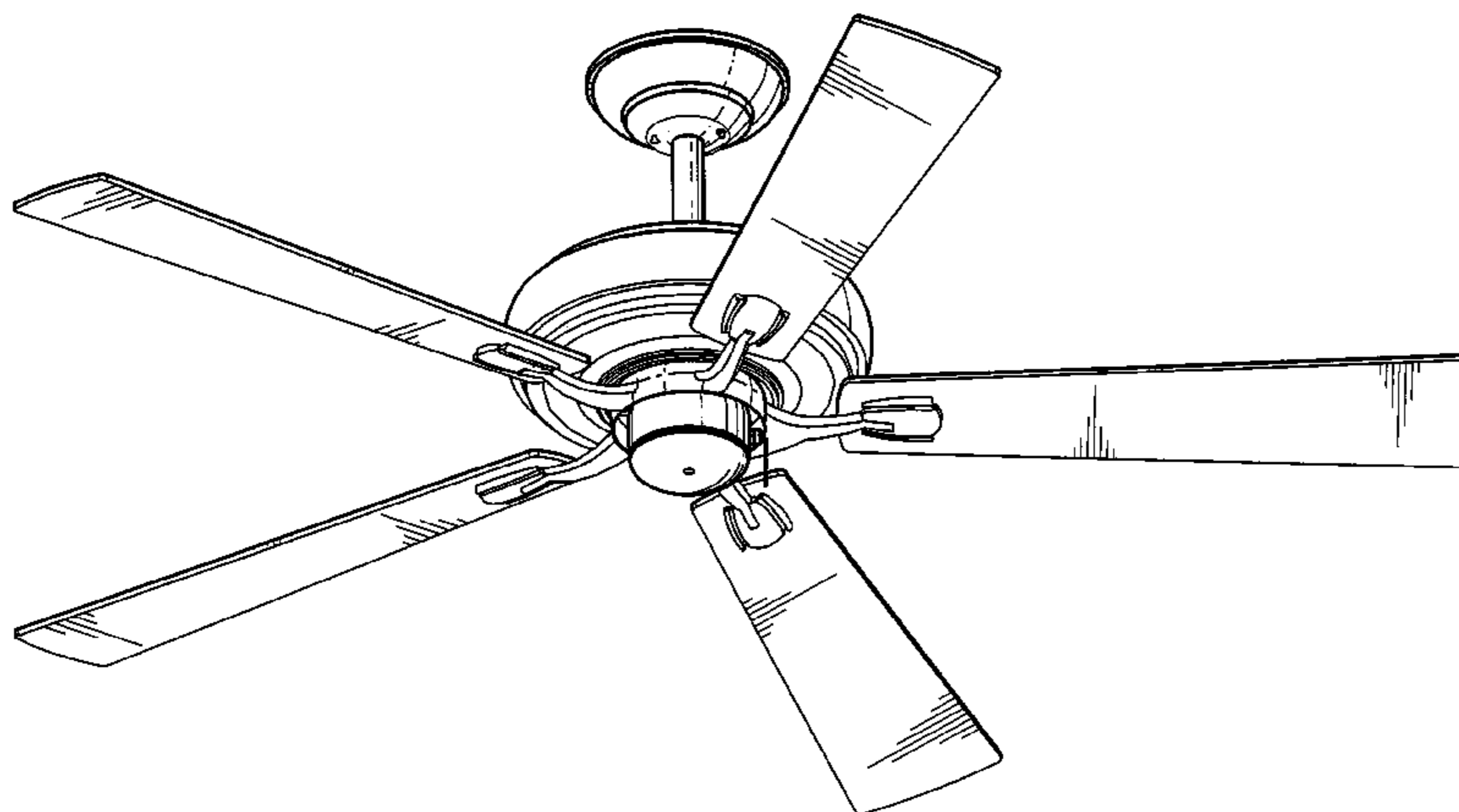
(57) **CLAIM**

The ornamental design for a ceiling fan, as shown and described.

DESCRIPTION

FIG. 1 is a perspective view of a ceiling fan in accordance with the present invention;
FIG. 2 is a side view of the ceiling fan in accordance with the present invention; and,
FIG. 3 is a reduced bottom view of the ceiling fan in accordance with the present invention.

1 Claim, 3 Drawing Sheets



US D573,243 S

Page 2

U.S. PATENT DOCUMENTS

D539,896 S	4/2007	Pan	D546,439 S	7/2007	Glasbrenner
D541,409 S	4/2007	Ertze	D546,936 S	7/2007	Ertze
D541,410 S	4/2007	Ertze	D547,435 S	7/2007	Lee
D543,268 S	5/2007	Ertze	D547,857 S	7/2007	Lee
D543,302 S	5/2007	Ertze	D552,777 S	10/2007	Pan
D545,422 S	6/2007	Glasbrenner	D554,250 S	10/2007	Shurtleff
			D554,251 S	10/2007	Shurtleff

* cited by examiner

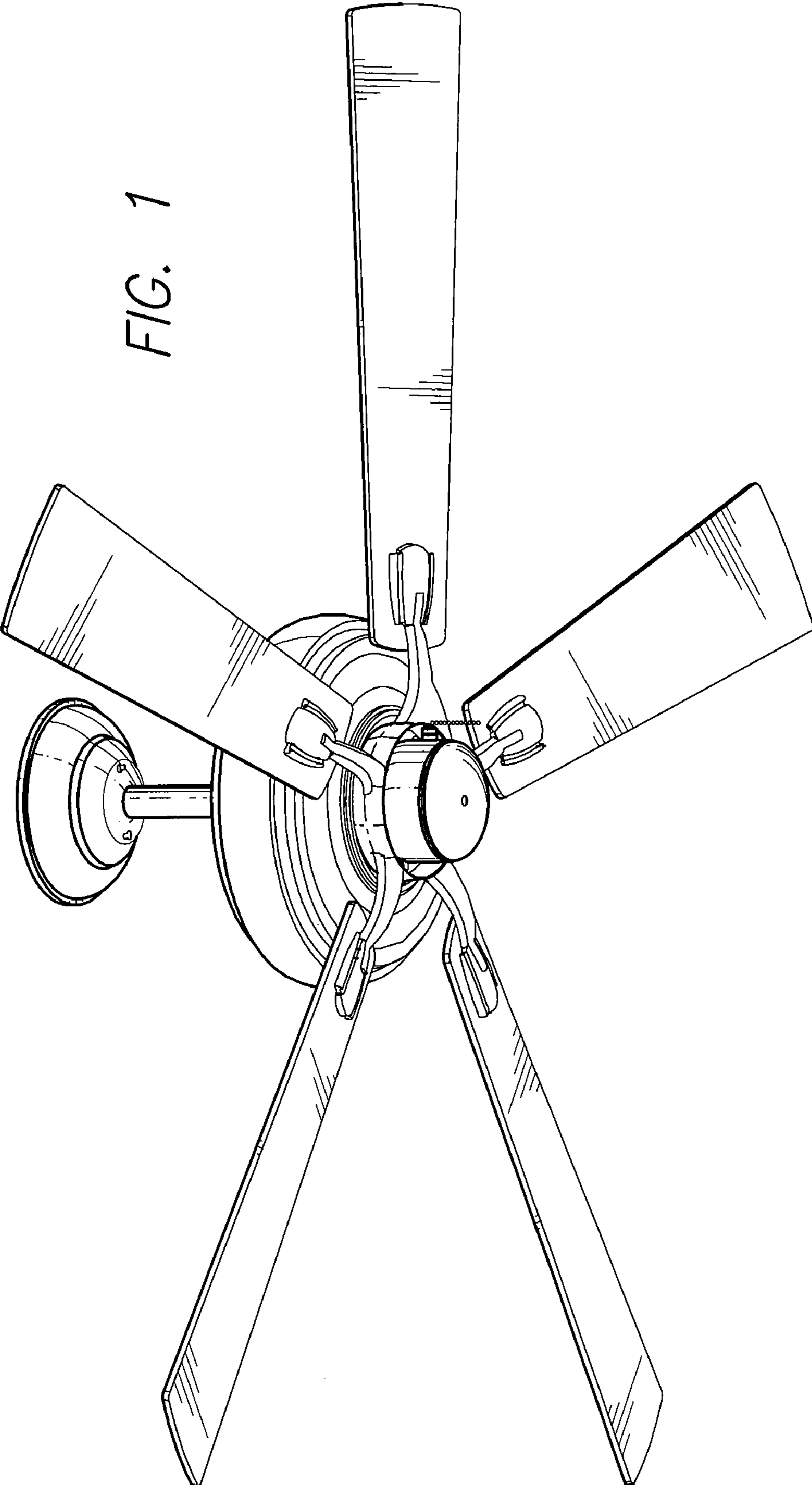


FIG. 1

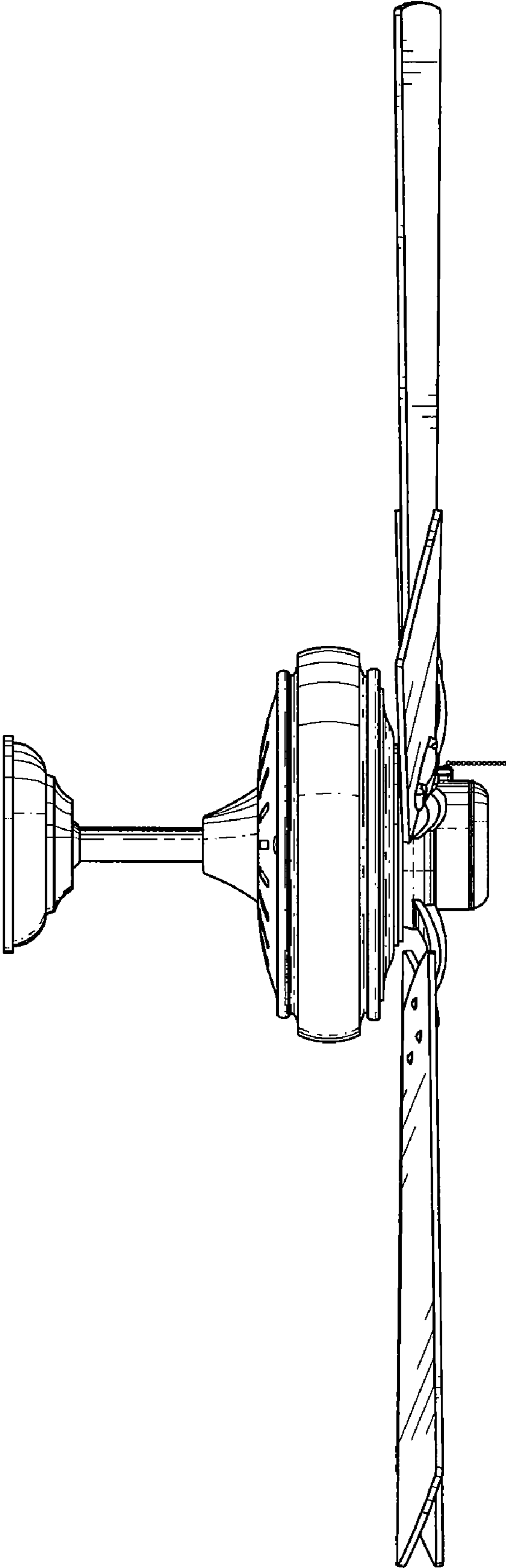


FIG. 2

FIG. 3

