

US00D573242S

(12) **United States Design Patent**  
**Pan**

(10) **Patent No.:** **US D573,242 S**  
(45) **Date of Patent:** **\*\* Jul. 15, 2008**

(54) **COMBINED CEILING FAN AND LIGHT  
FIXTURE**

(75) Inventor: **Peter Pan**, Shetzu (TW)

(73) Assignee: **Air Cool Industrial Co., Ltd.**, Taichung  
(TW)

(\*\*) Term: **14 Years**

(21) Appl. No.: **29/298,361**

(22) Filed: **Dec. 4, 2007**

(51) **LOC (8) Cl.** ..... **23-04**

(52) **U.S. Cl.** ..... **D23/377; D26/59**

(58) **Field of Classification Search** ..... **D23/377,**  
**D23/379, 385, 411; 416/5; D26/59, 51,**  
**D26/80-86, 72**

See application file for complete search history.

D483,850 S	12/2003	Tai
D484,588 S	12/2003	Tai
D484,969 S	1/2004	Tai
D485,344 S	1/2004	Tai
D485,609 S	1/2004	Tai
D485,611 S	1/2004	Tai
D485,897 S	1/2004	Tai
D490,888 S	6/2004	Tai
D494,705 S	8/2004	Tai
D501,578 S	2/2005	Tai
D503,472 S	3/2005	Tai
D503,473 S	3/2005	Tai
D503,474 S	3/2005	Tai
D503,475 S	3/2005	Tai
D503,476 S	3/2005	Tai
D503,795 S	4/2005	Tai
D504,173 S	4/2005	Cohen
D505,197 S	5/2005	Tai

(56) **References Cited**

U.S. PATENT DOCUMENTS

5,508,484 A	4/1996	Chen
D396,530 S	7/1998	Tai
D404,808 S	1/1999	Tai
D404,809 S	1/1999	Tai
D405,878 S	2/1999	Tai
D408,073 S	4/1999	Tai
D408,074 S	4/1999	Tai
D408,516 S	4/1999	Tai
D409,297 S	5/1999	Tai
6,059,531 A	5/2000	Tai
6,135,618 A	10/2000	Tai
6,259,025 B1	7/2001	Tai
6,379,116 B1	4/2002	Tai
D457,947 S	5/2002	Tai
6,392,146 B1	5/2002	Tai
D458,675 S	6/2002	Tai
D478,381 S	8/2003	Tai
D483,463 S	12/2003	Tai
D483,464 S	12/2003	Tai
D483,465 S	12/2003	Tai
D483,847 S	12/2003	Tai
D483,848 S	12/2003	Tai
D483,849 S	12/2003	Tai

(Continued)

*Primary Examiner*—Lisa P Lichtenstein  
(74) *Attorney, Agent, or Firm*—Morrison & Foerster LLP

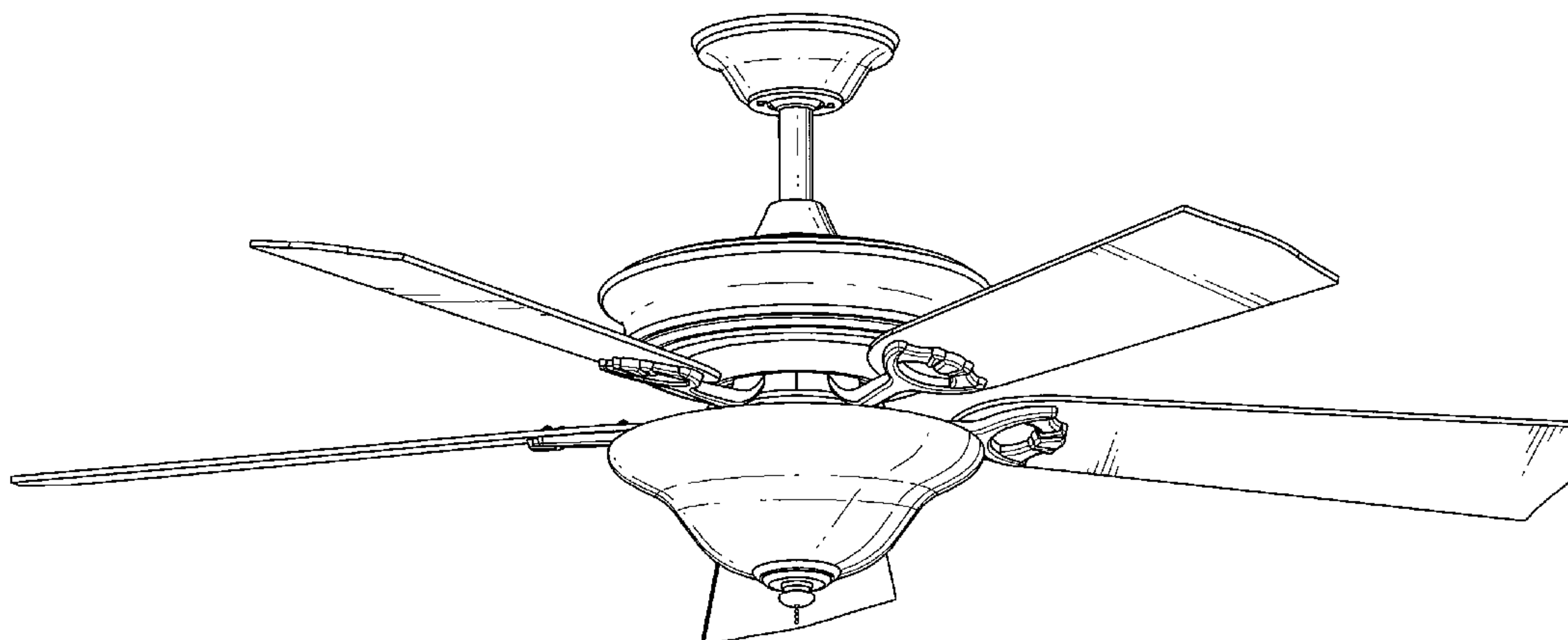
(57) **CLAIM**

The ornamental design for a combined ceiling fan and light fixture, as shown and described.

**DESCRIPTION**

FIG. 1 is a perspective view of a ceiling fan in accordance with the present invention;  
FIG. 2 is a reduced side view of the ceiling fan in accordance with the present invention; and,  
FIG. 3 is a reduced bottom view of the ceiling fan in accordance with the present invention.

**1 Claim, 3 Drawing Sheets**



# US D573,242 S

Page 2

---

## U.S. PATENT DOCUMENTS

D505,724 S	5/2005	Tai	D543,268 S	5/2007	Ertze	
D507,644 S	7/2005	Tai	D543,302 S	5/2007	Ertze	
D507,830 S	7/2005	Pan	D545,422 S	6/2007	Glasbrenner	
D530,811 S	10/2006	Ertze	D546,439 S	7/2007	Glasbrenner	
D531,722 S	11/2006	Ertze	D546,936 S	7/2007	Ertze	
D532,901 S	11/2006	Ertze	D547,435 S	7/2007	Lee	
D533,267 S	12/2006	Pan	D547,857 S	7/2007	Lee	
D536,466 S	2/2007	Pan	D552,777 S	10/2007	Pan	
D539,896 S	4/2007	Pan	D554,250 S	10/2007	Shurtleff	
D541,409 S	4/2007	Ertze	D554,251 S	10/2007	Shurtleff	
D541,410 S	4/2007	Ertze	D558,328 S *	12/2007	Badarello .....	D23/411
			D559,971 S *	1/2008	Frampton et al. ....	D23/411

\* cited by examiner

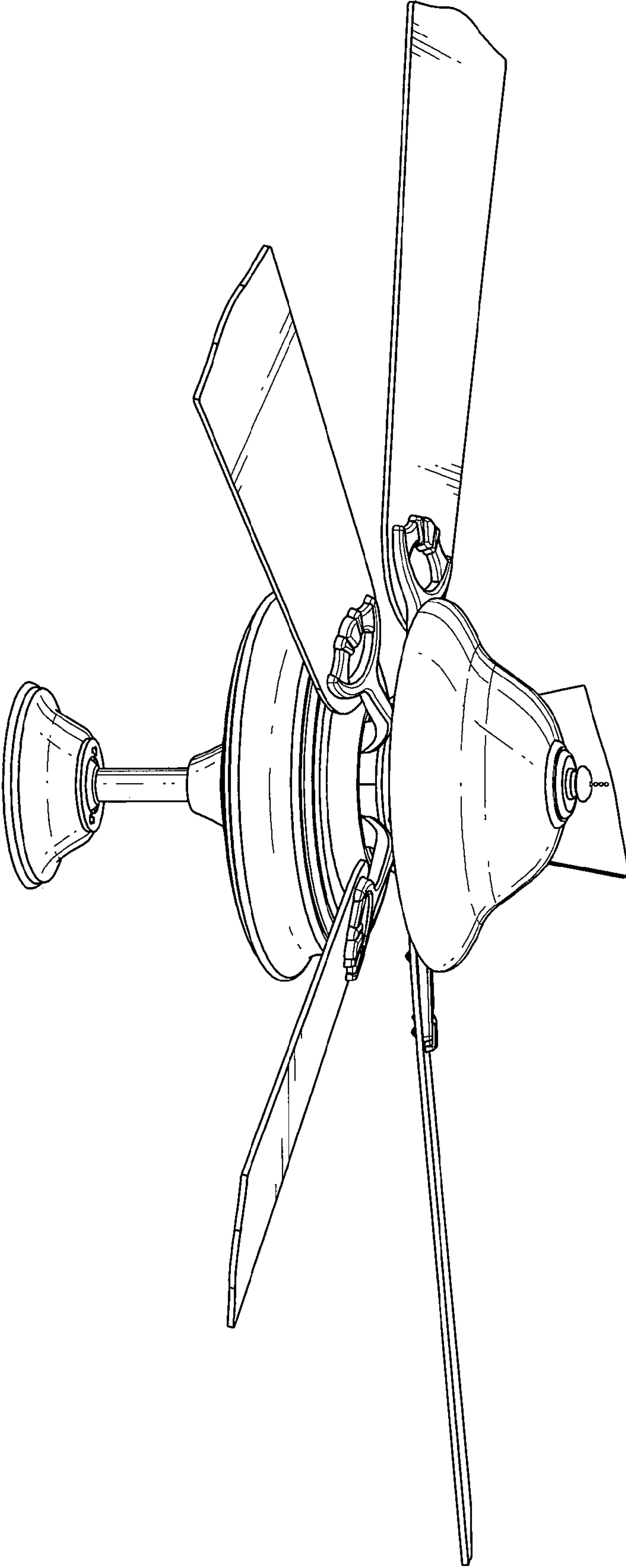


FIG. 1

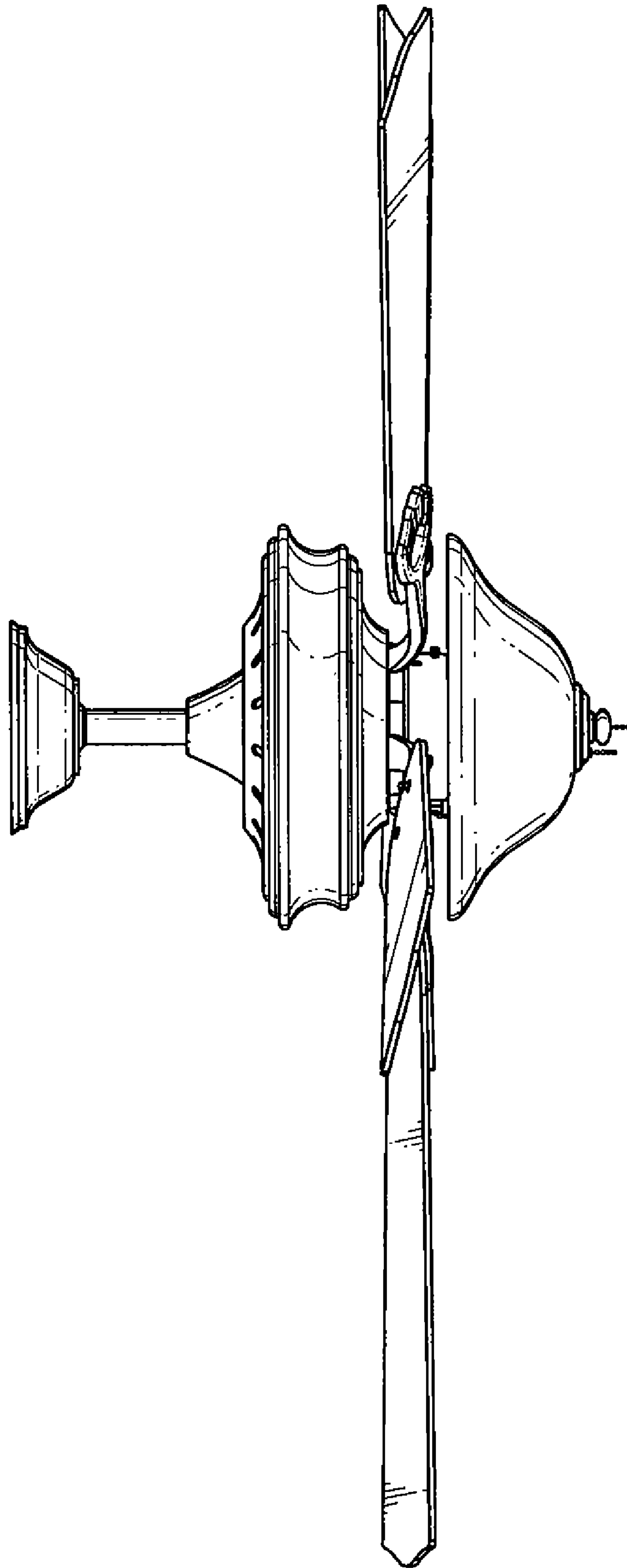


FIG. 2

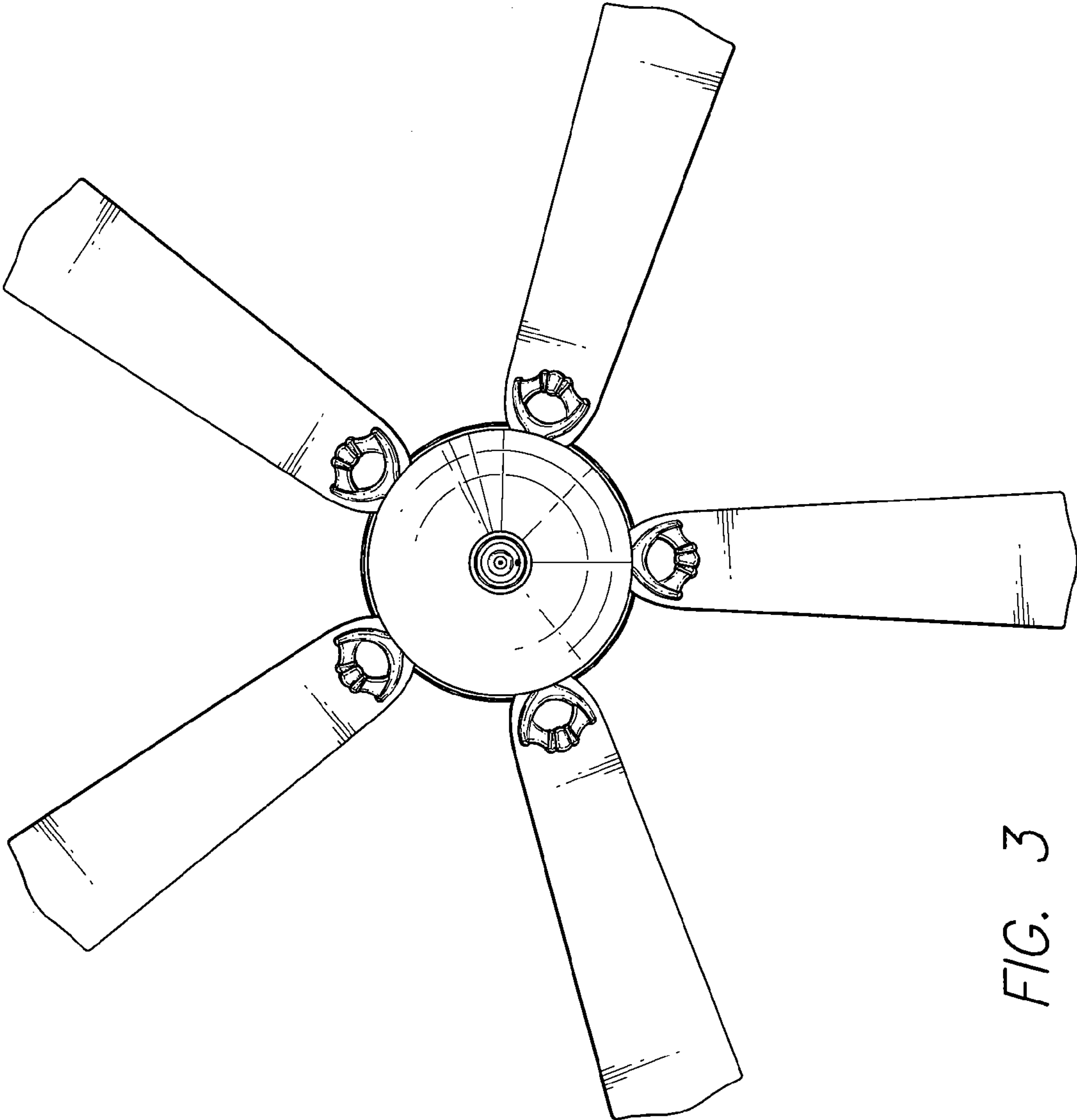


FIG. 3