



US00D573233S

(12) **United States Design Patent**  
**Dolan**

(10) **Patent No.:** **US D573,233 S**  
(45) **Date of Patent:** **\*\* Jul. 15, 2008**

(54) **HANDLE**

D560,941 S \* 2/2008 Genord et al. .... D23/238

(76) **Inventor:** **Patrick S. Dolan**, 2700 NW. Front Ave.,  
Portland, OR (US) 97210

\* cited by examiner

*Primary Examiner*—Robert A Delehanty

(\*\*) **Term:** **14 Years**

(57) **CLAIM**

(21) **Appl. No.:** **29/270,971**

The ornamental design for a handle, as shown and described.

(22) **Filed:** **Jan. 5, 2007**

**DESCRIPTION**

(51) **LOC (8) Cl.** ..... **23-01**

FIG. 1 is a perspective view thereof;

(52) **U.S. Cl.** ..... **D23/250**

FIG. 2 is a front elevational view thereof;

(58) **Field of Classification Search** ..... D23/250–257,  
D23/238–243, 244–249; 4/675–678; D8/300,  
D8/307–308, 310–312, 321; D6/550; 137/801;  
16/110.1, 441

FIG. 3 is a right side view thereof;

FIG. 4 is a left side view thereof;

FIG. 5 is a top plan view thereof; and,

FIG. 6 is a bottom plan view thereof.

See application file for complete search history.

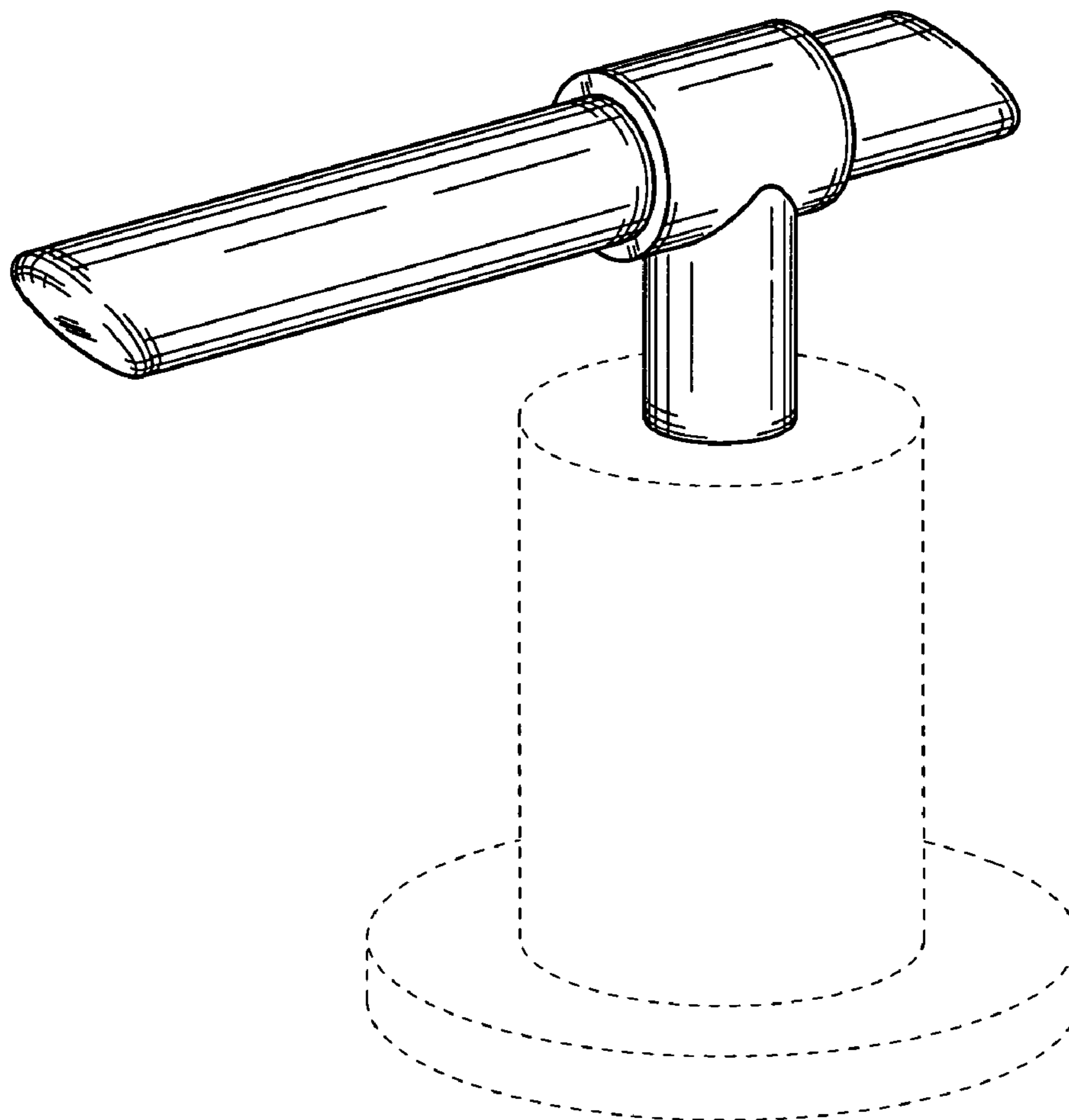
The broken line showing of environmental structure is for illustrative purposes only and forms no part of the claimed design.

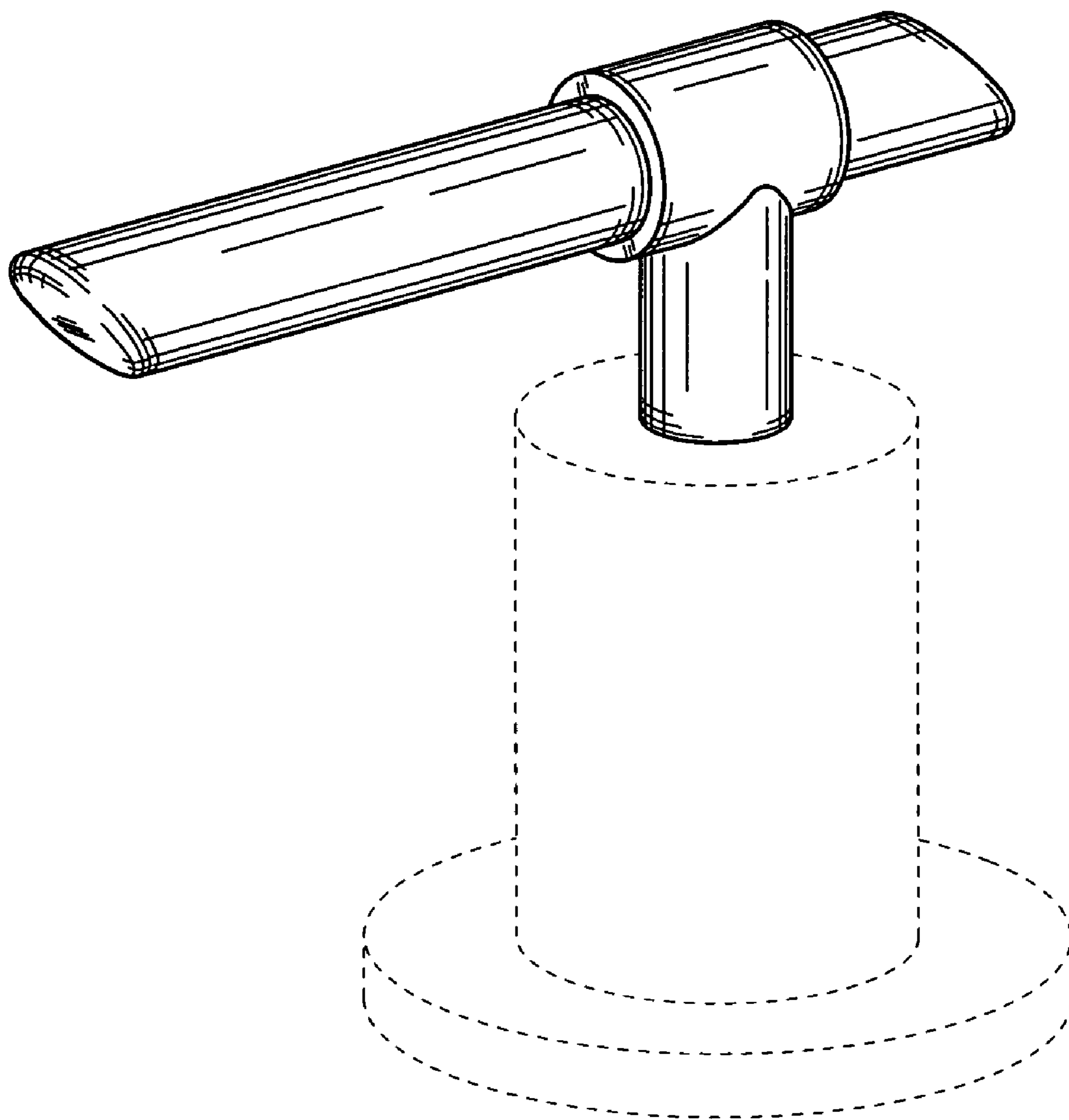
(56) **References Cited**

**U.S. PATENT DOCUMENTS**

D373,179 S \* 8/1996 Sieger ..... D23/241  
D505,995 S 6/2005 Kulig

**1 Claim, 6 Drawing Sheets**





**FIG. 1**

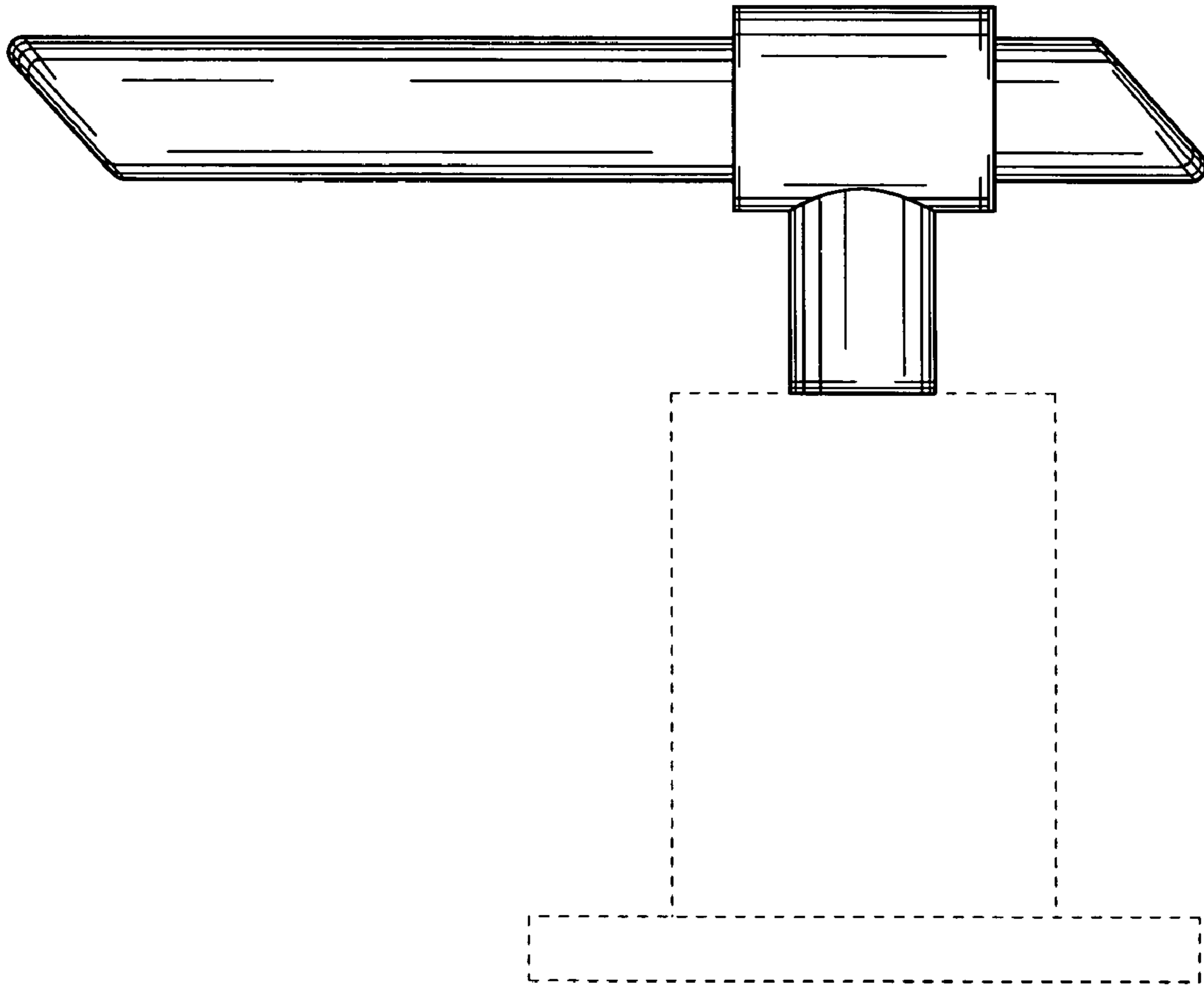
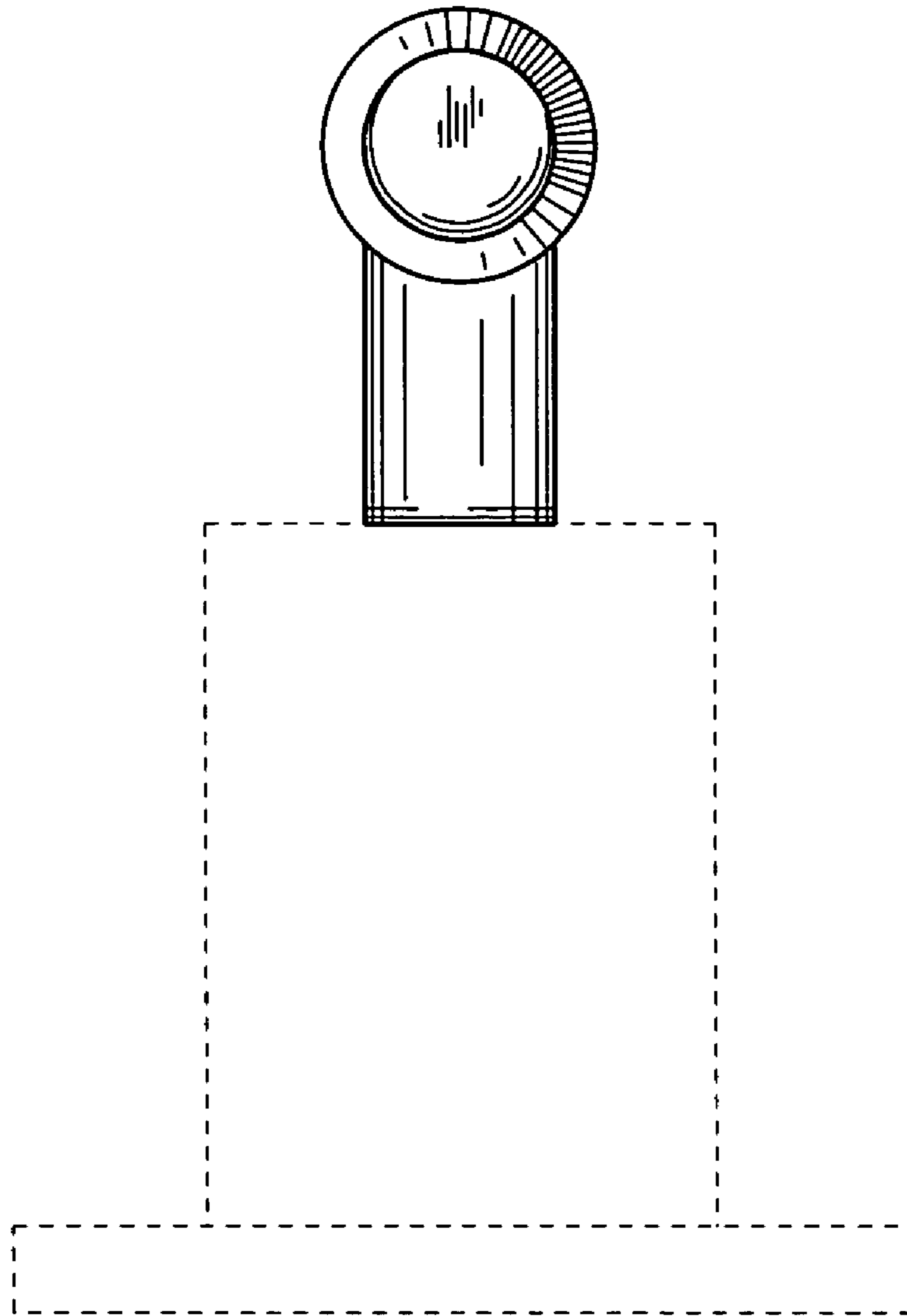
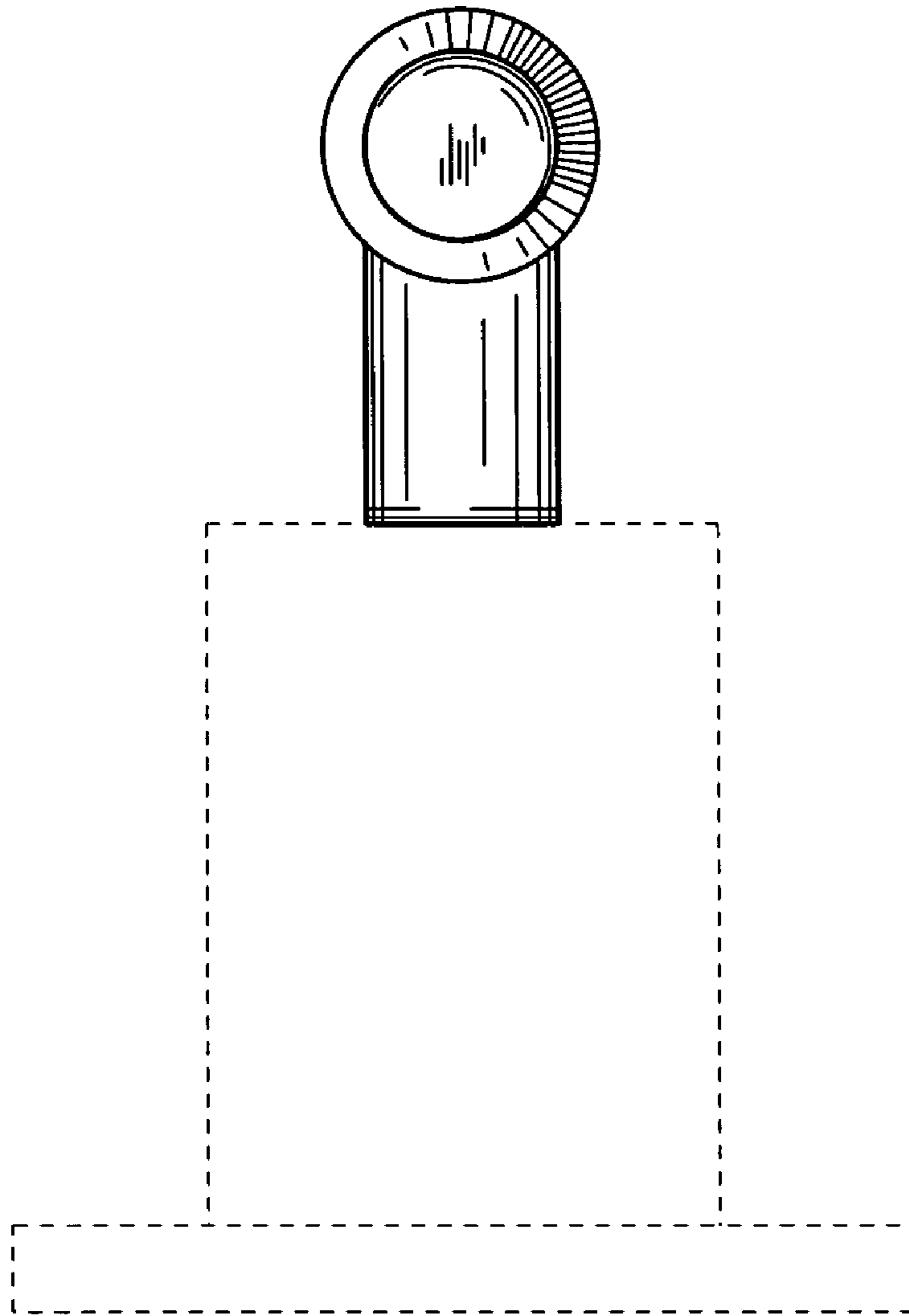


FIG. 2



**FIG. 3**



**FIG. 4**

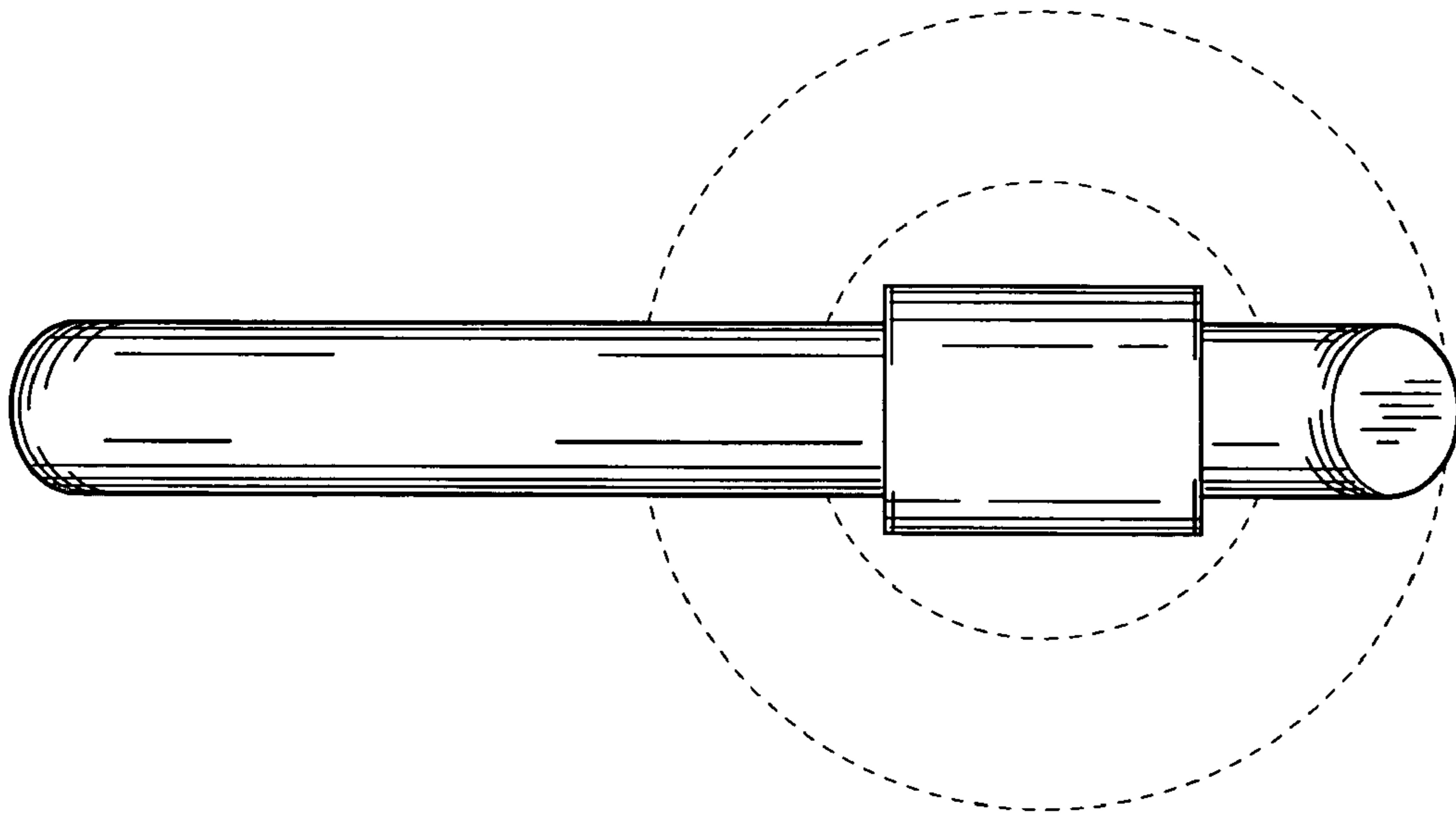


FIG. 5

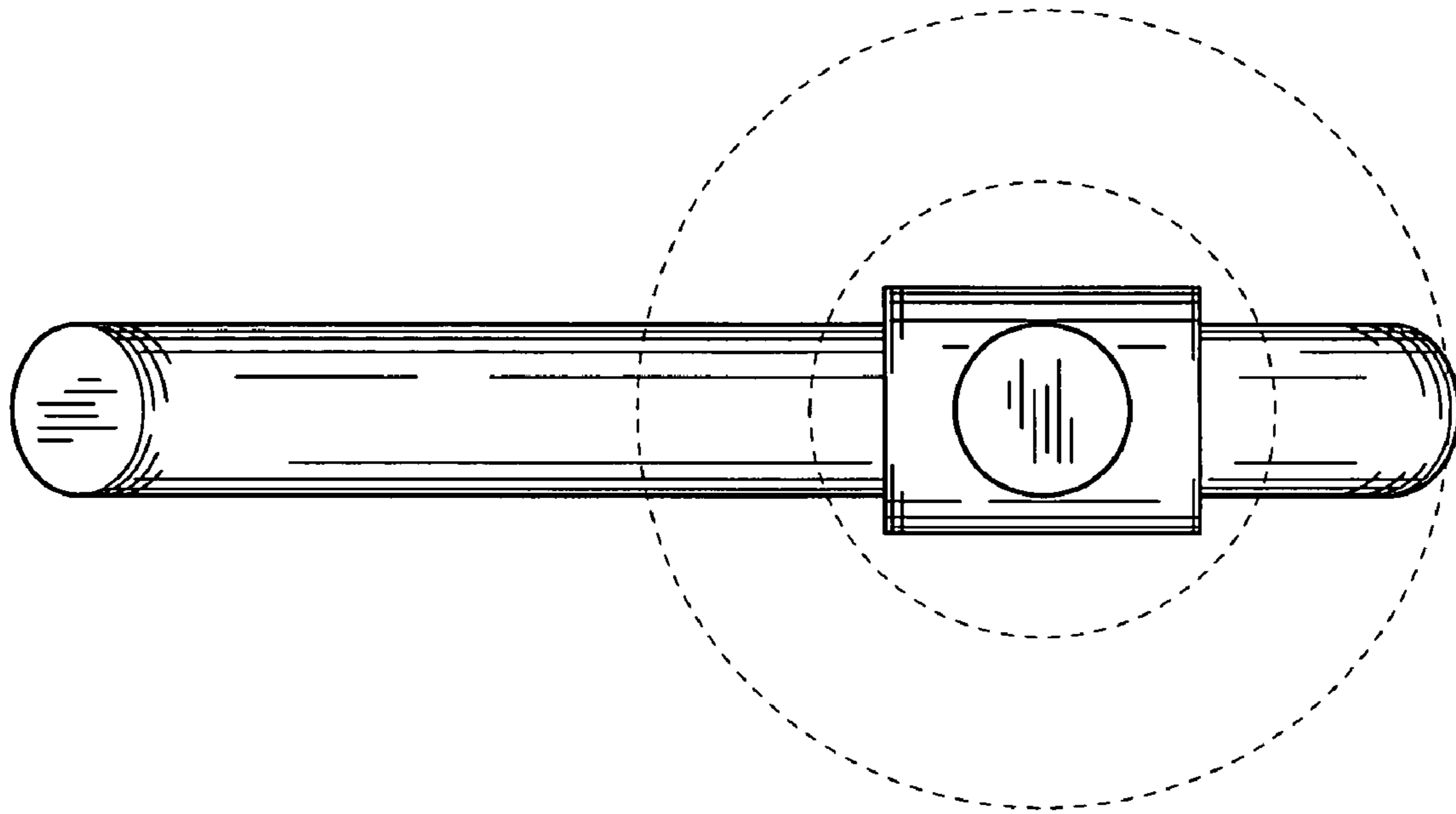


FIG. 6