



US00D573232S

(12) **United States Design Patent**  
**Dolan**

(10) **Patent No.:** **US D573,232 S**  
(45) **Date of Patent:** **\*\* Jul. 15, 2008**

(54) **HANDLE**

(76) **Inventor:** **Patrick S. Dolan**, 2700 NW. Front Ave.,  
Portland, OR (US) 97210

(\*\*) **Term:** **14 Years**

(21) **Appl. No.:** **29/270,970**

(22) **Filed:** **Jan. 5, 2007**

(51) **LOC (8) Cl.** ..... **23-01**

(52) **U.S. Cl.** ..... **D23/250**

(58) **Field of Classification Search** ..... D23/250-257,  
D23/238-243, 244-249; 4/675-678; D8/300,  
D8/307-308, 310-312, 321; D6/550; 137/801;  
16/110.1, 441

See application file for complete search history.

(56) **References Cited**

**U.S. PATENT DOCUMENTS**

- D373,179 S \* 8/1996 Sieger ..... D23/241
- D505,995 S 6/2005 Zulig
- D560,941 S \* 2/2008 Genord et al. .... D23/238

**OTHER PUBLICATIONS**

Co-pending application, Patrick S. Dolan, filed Jan. 5, 2007.

\* cited by examiner

*Primary Examiner*—Robert A Delehanty

(57) **CLAIM**

The ornamental design for a handle, as shown and described.

**DESCRIPTION**

FIG. 1 is a perspective view thereof;

FIG. 2 is a front elevational view thereof;

FIG. 3 is a right side view thereof;

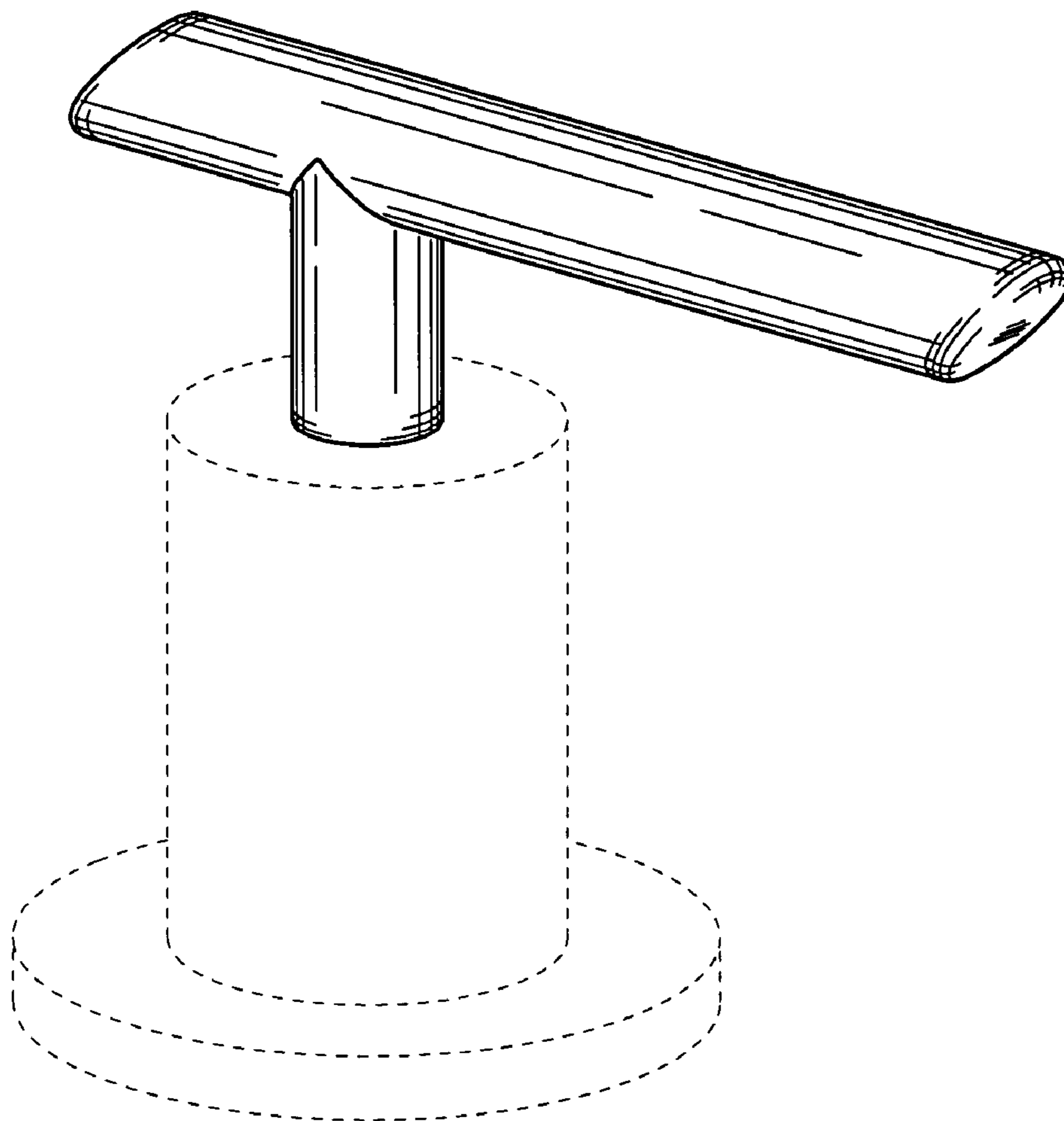
FIG. 4 is a left side view thereof;

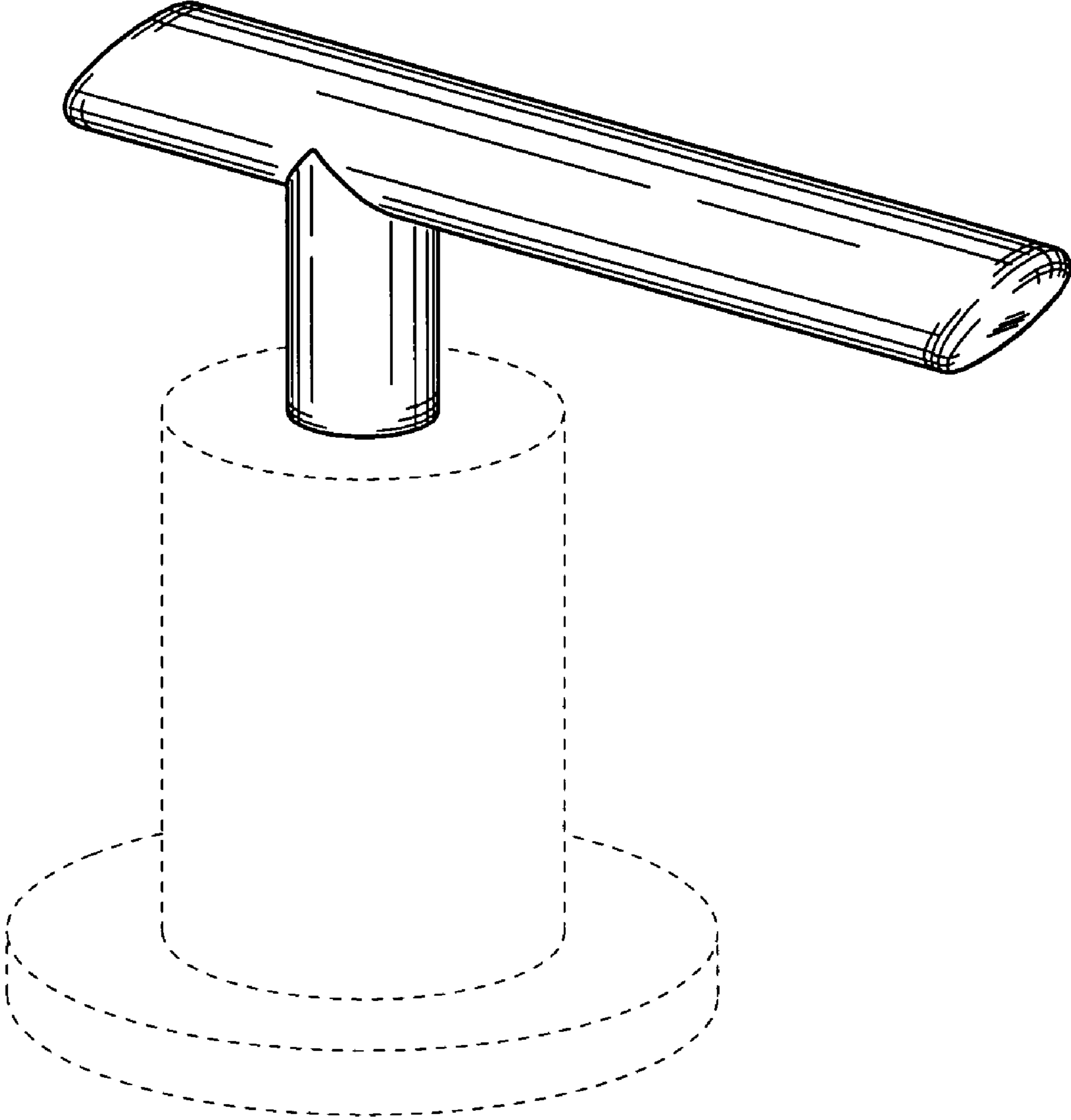
FIG. 5 is a top plan view thereof; and,

FIG. 6 is a bottom plan view thereof.

The broken line showing of environmental structure is for illustrative purposes only and forms no part of the claimed design.

**1 Claim, 6 Drawing Sheets**





**FIG. 1**

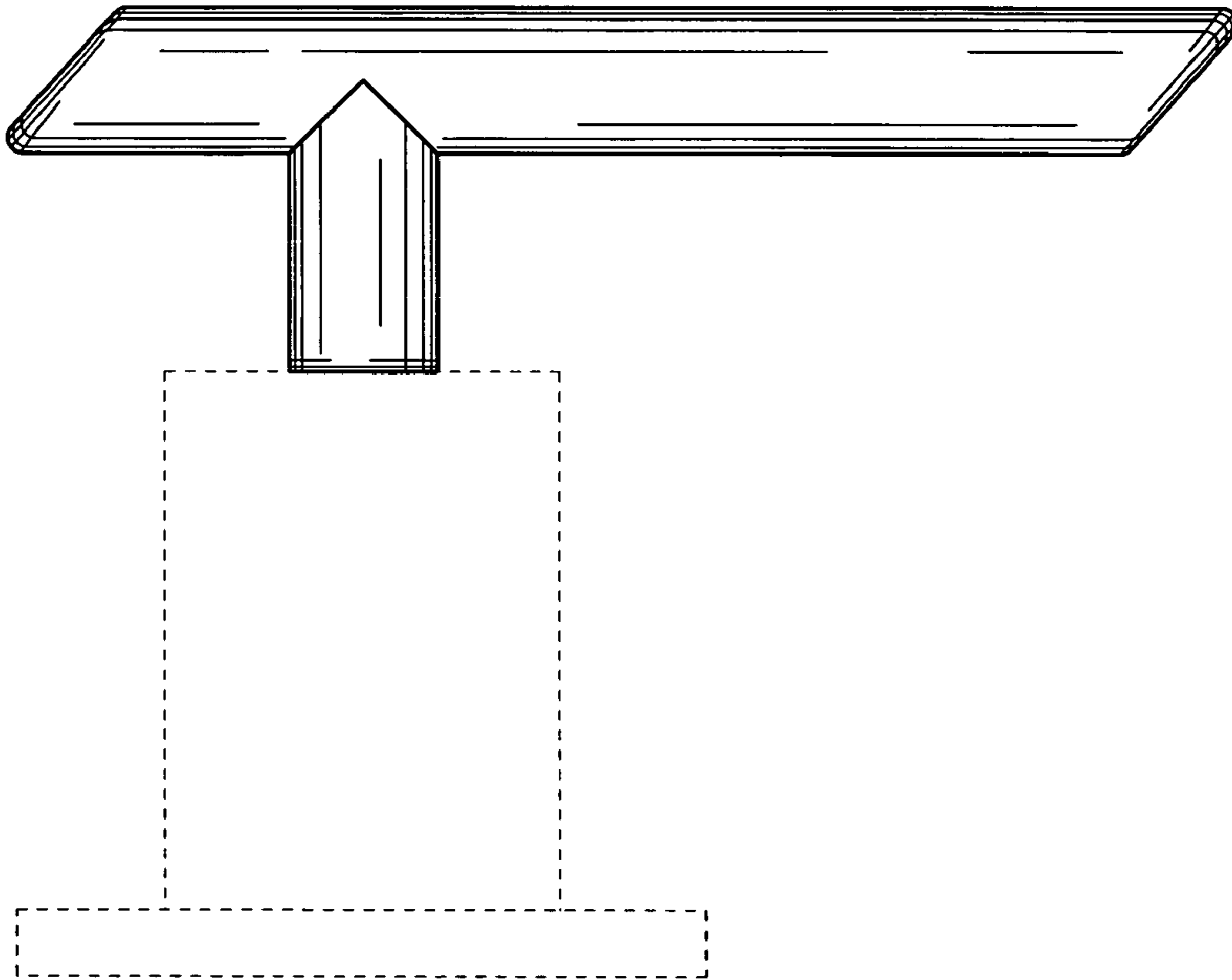
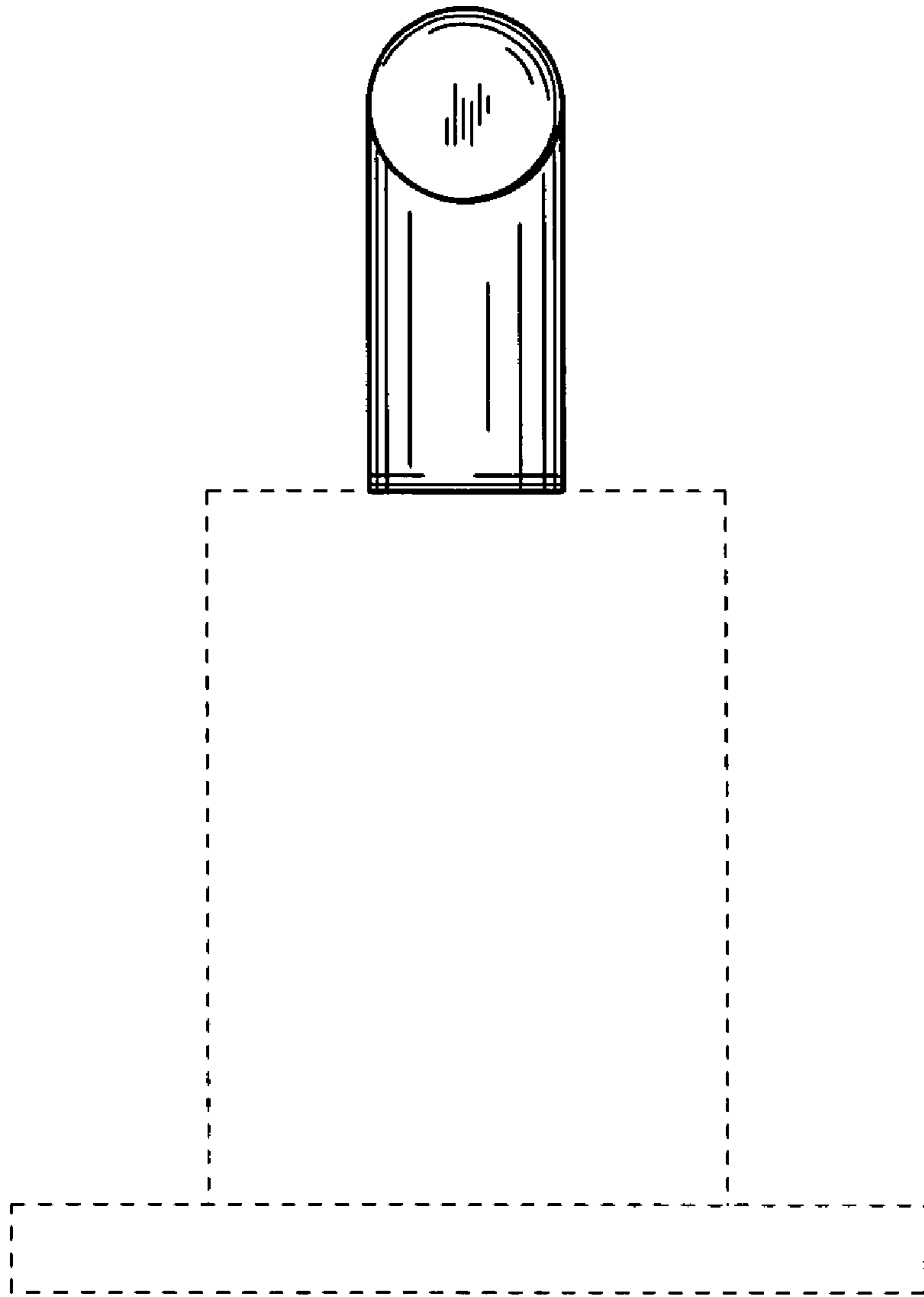
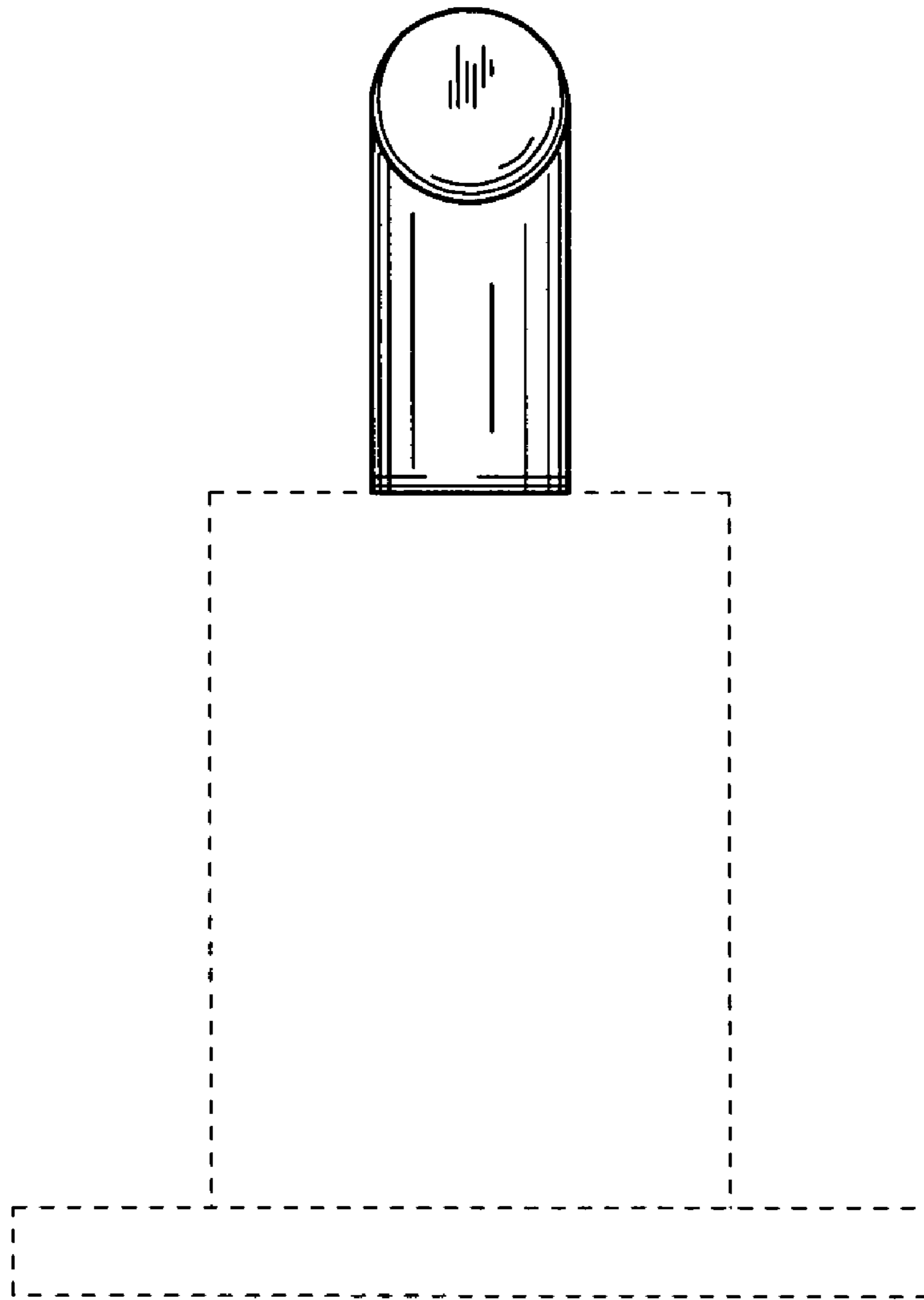


FIG. 2



**FIG. 3**



**FIG. 4**

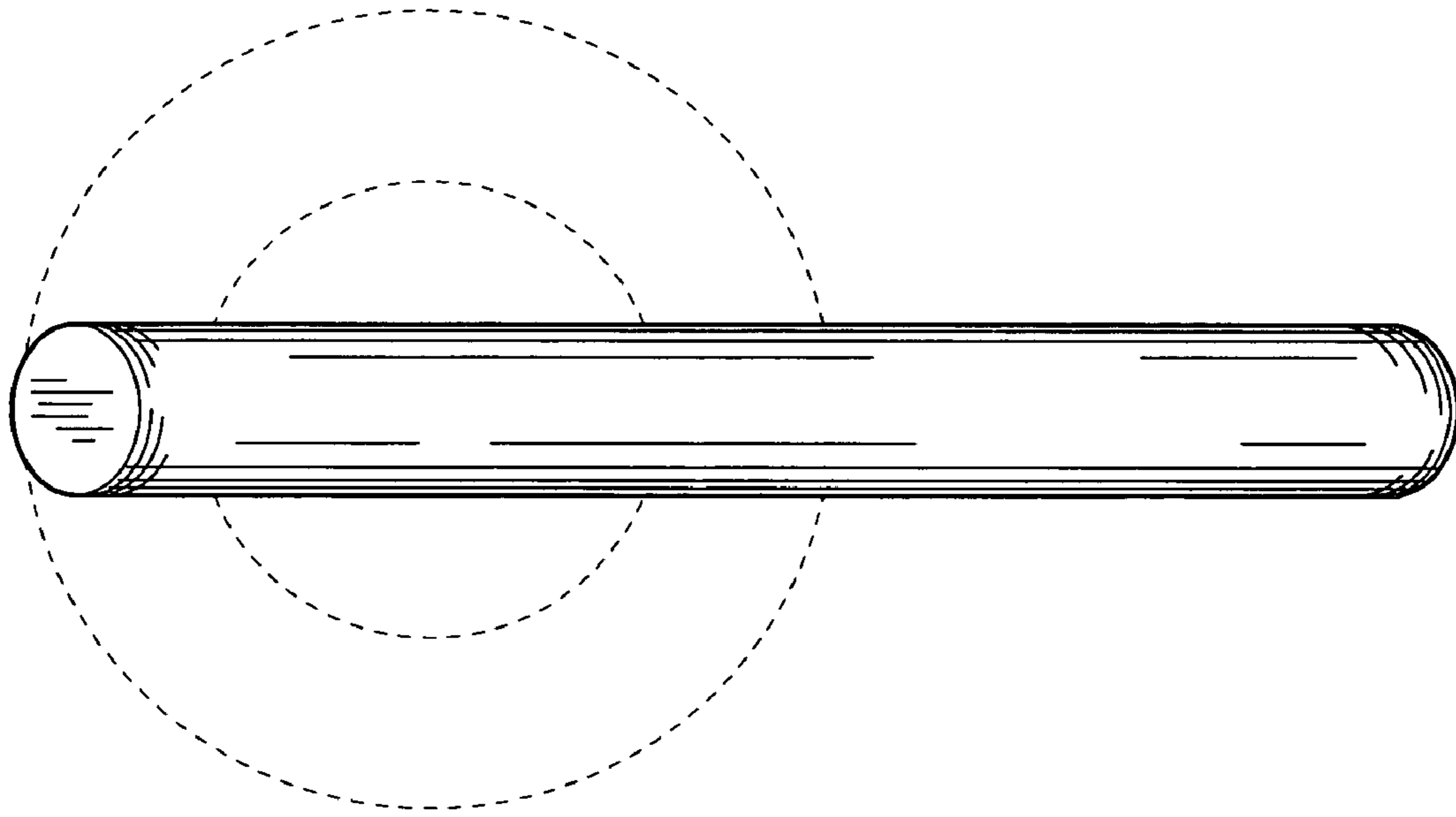


FIG. 5

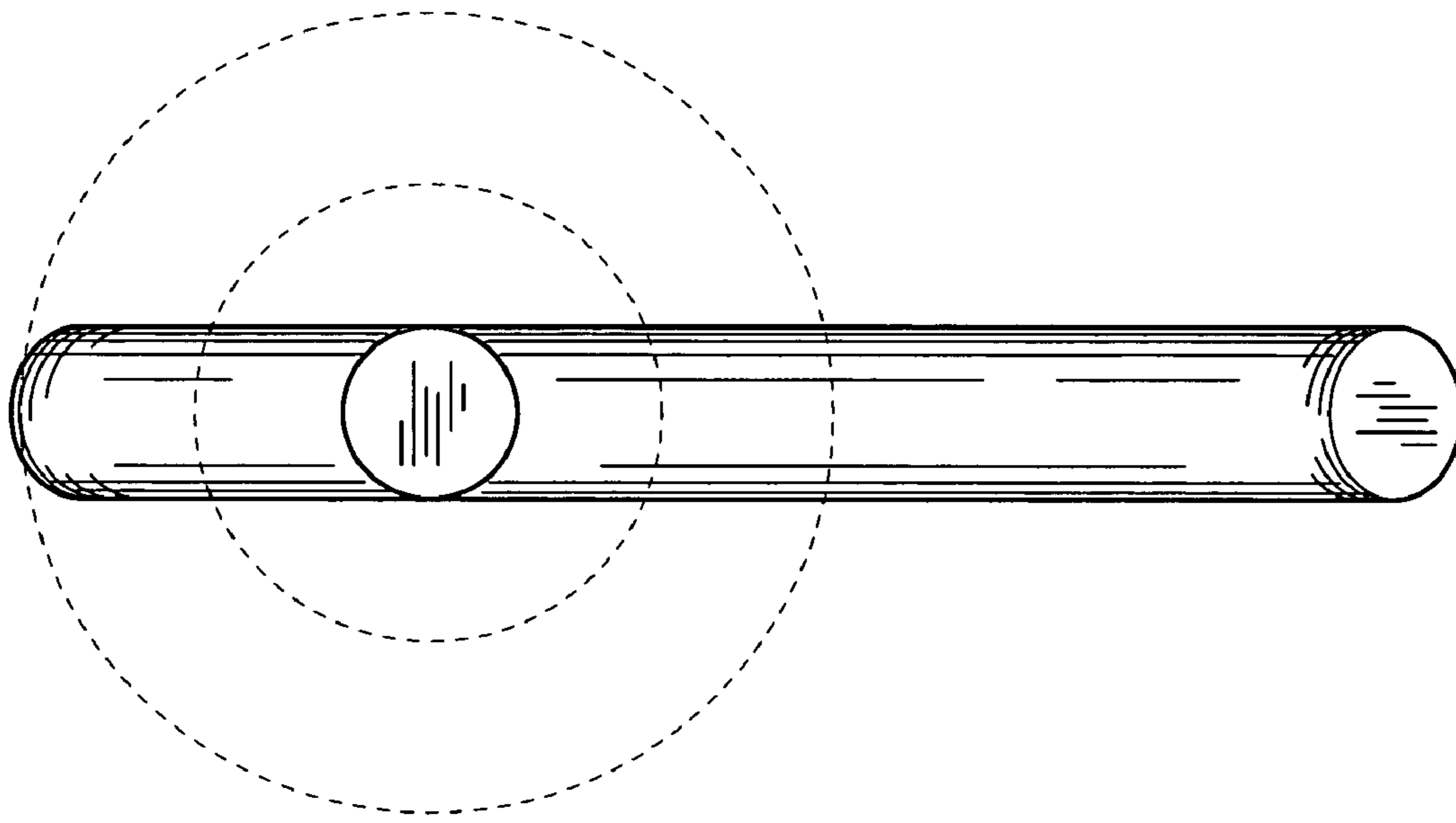


FIG. 6