



US00D573229S

(12) **United States Design Patent**
Sieger

(10) **Patent No.:** **US D573,229 S**
(45) **Date of Patent:** **** Jul. 15, 2008**

(54) **FAUCET ASSEMBLY**

(76) Inventor: **Michael Sieger**, Schloss Harkotten,
Sassenbert (DE)

(**) Term: **14 Years**

(21) Appl. No.: **29/293,609**

(22) Filed: **Dec. 4, 2007**

(30) **Foreign Application Priority Data**

Jun. 6, 2006 (EP) 000540067

(51) **LOC (8) Cl.** **23-01**

(52) **U.S. Cl.** **D23/238**

(58) **Field of Classification Search** D23/238–246,
D23/249; 4/675–678; 137/801
See application file for complete search history.

(56) **References Cited**

U.S. PATENT DOCUMENTS

D310,866 S * 9/1990 Strignano D23/241
D314,230 S * 1/1991 Strignano D23/241
5,249,744 A * 10/1993 Ruthenberg 239/23

D500,841 S * 1/2005 Citterio D23/238
D514,664 S * 2/2006 Starck D23/238
D536,423 S * 2/2007 Zetsche D23/238

* cited by examiner

Primary Examiner—Robert M. Spear
Assistant Examiner—Ania K Dworzecka
(74) *Attorney, Agent, or Firm*—Andrew Wilford

(57) **CLAIM**

The ornamental design for a faucet assembly, as shown.

DESCRIPTION

FIG. 1 is a left side elevational view of a faucet assembly showing my new design;

FIG. 2 is a right side elevational view of the faucet assembly;

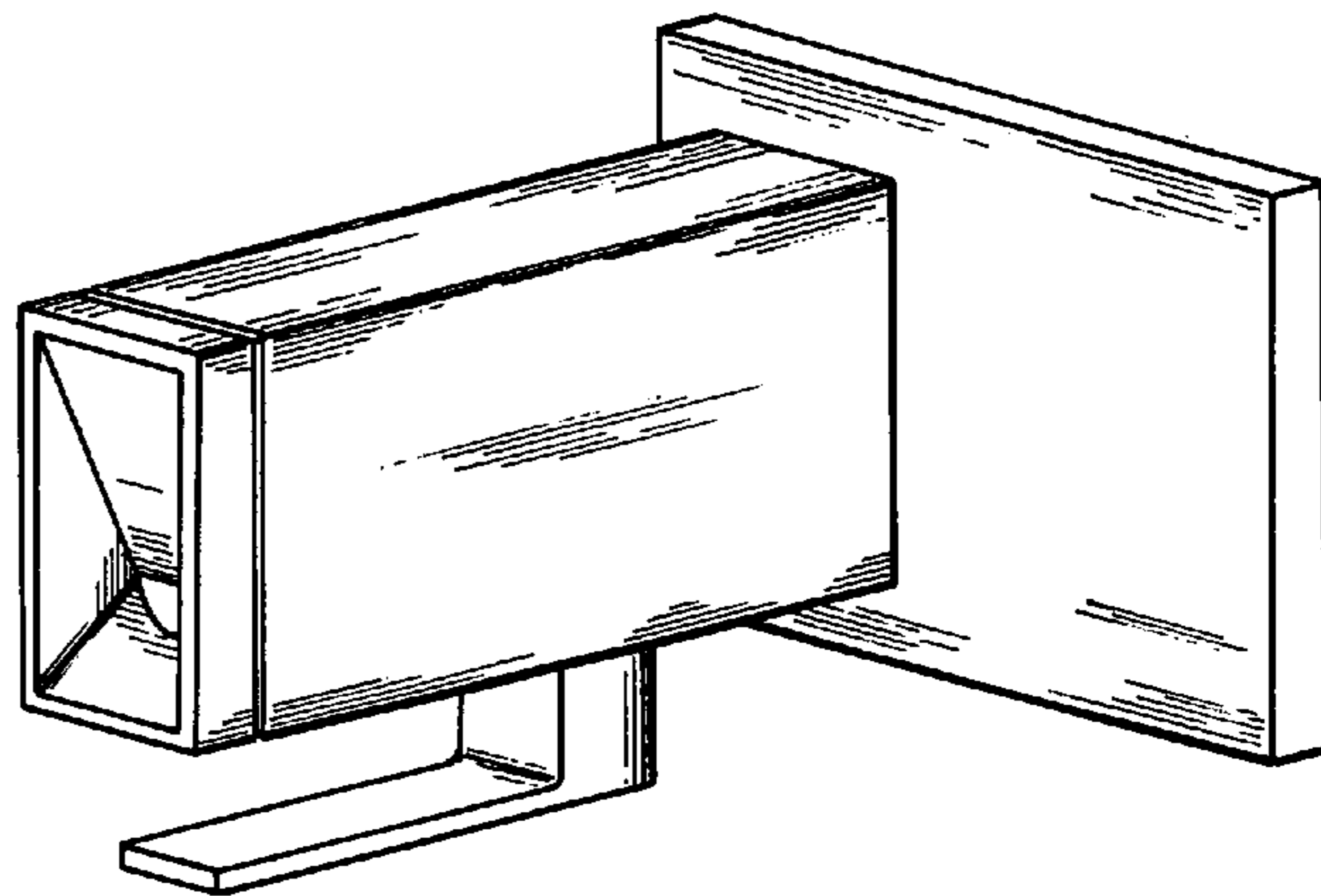
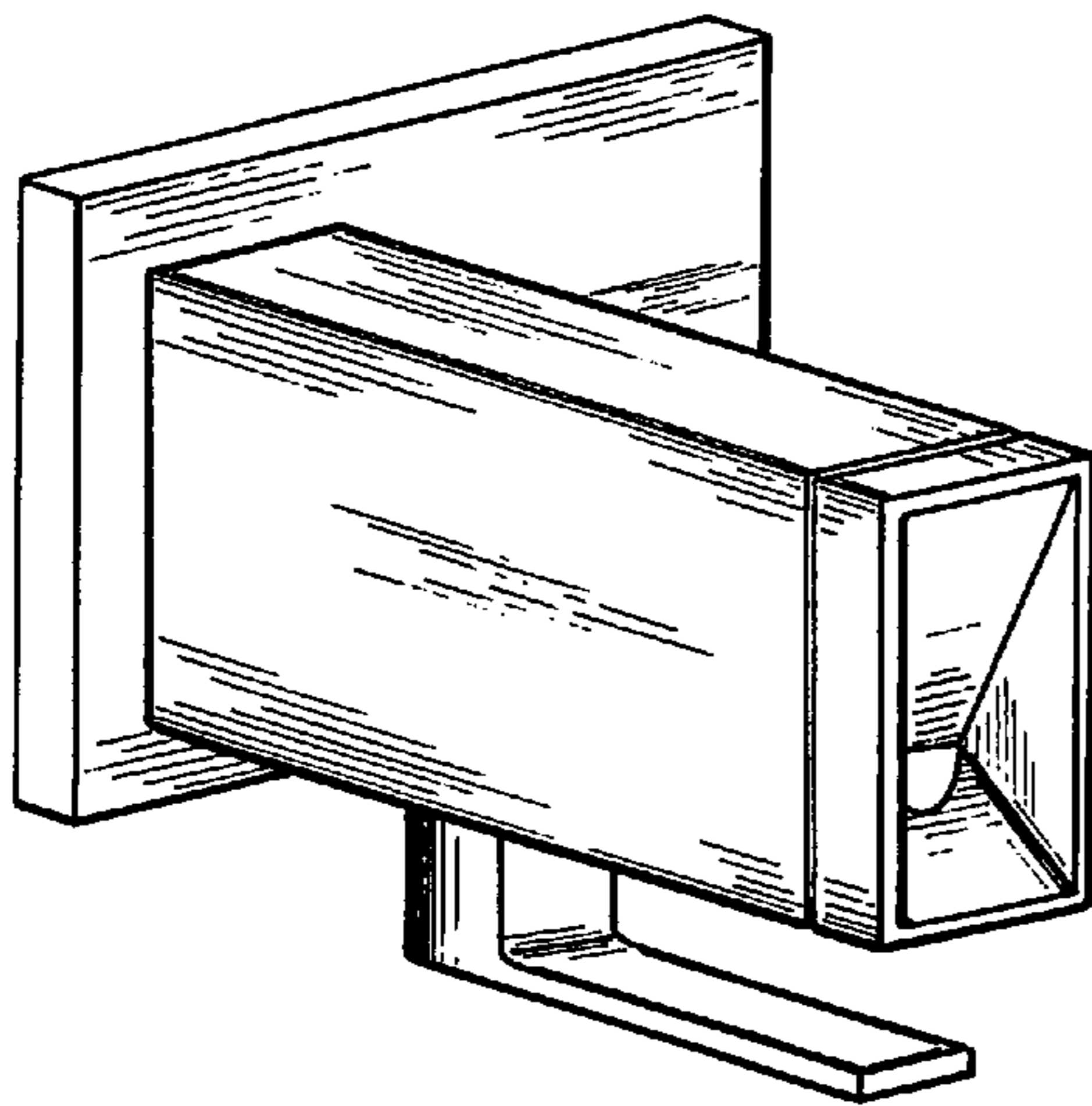
FIG. 3 is a top plan view of the faucet assembly;

FIG. 4 is a front elevational view of the faucet assembly; and

FIG. 5 is a left side perspective view of the faucet assembly; and,

FIG. 6 is a left side perspective view of the faucet assembly.

1 Claim, 3 Drawing Sheets



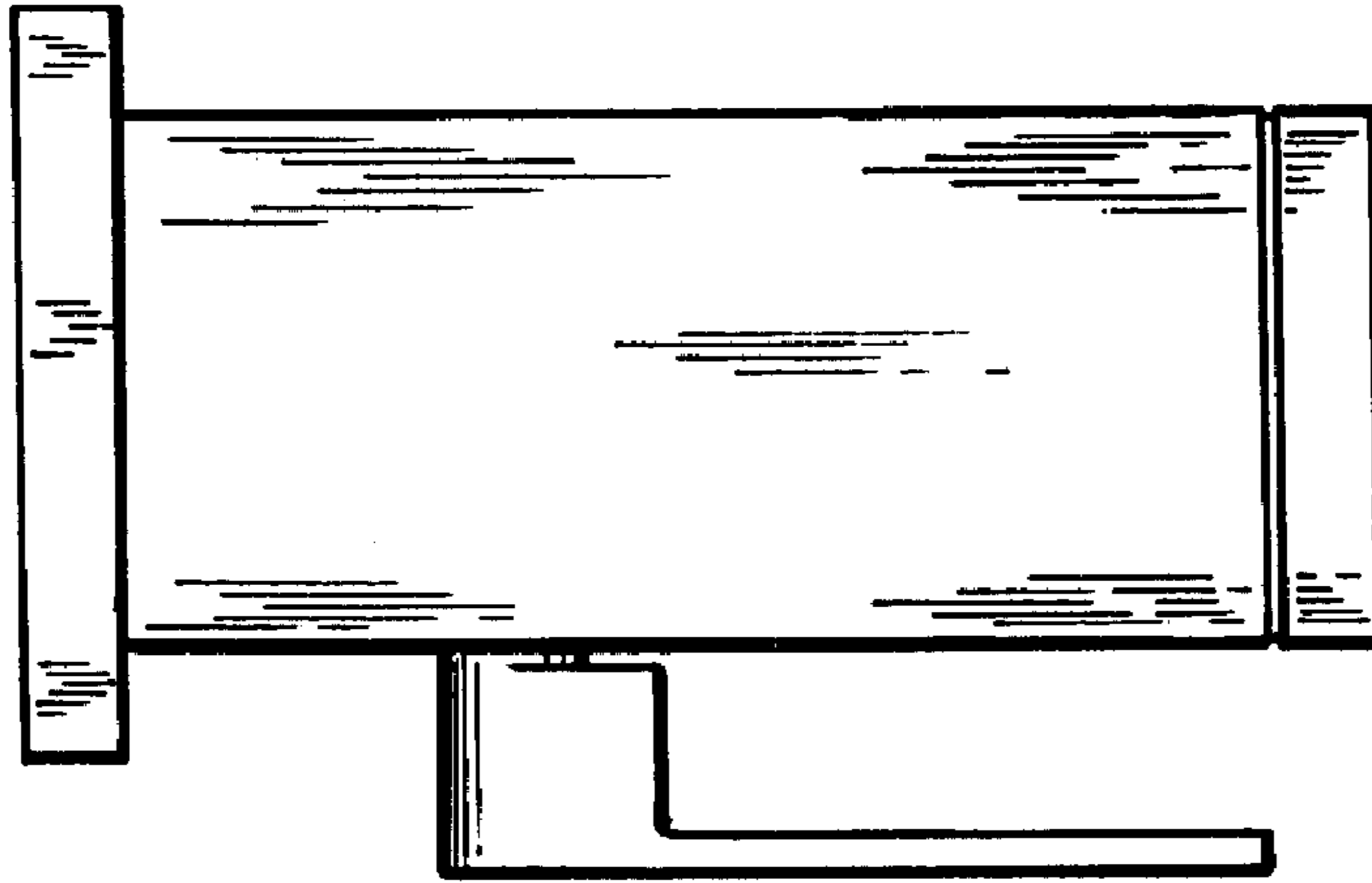


FIG. 1

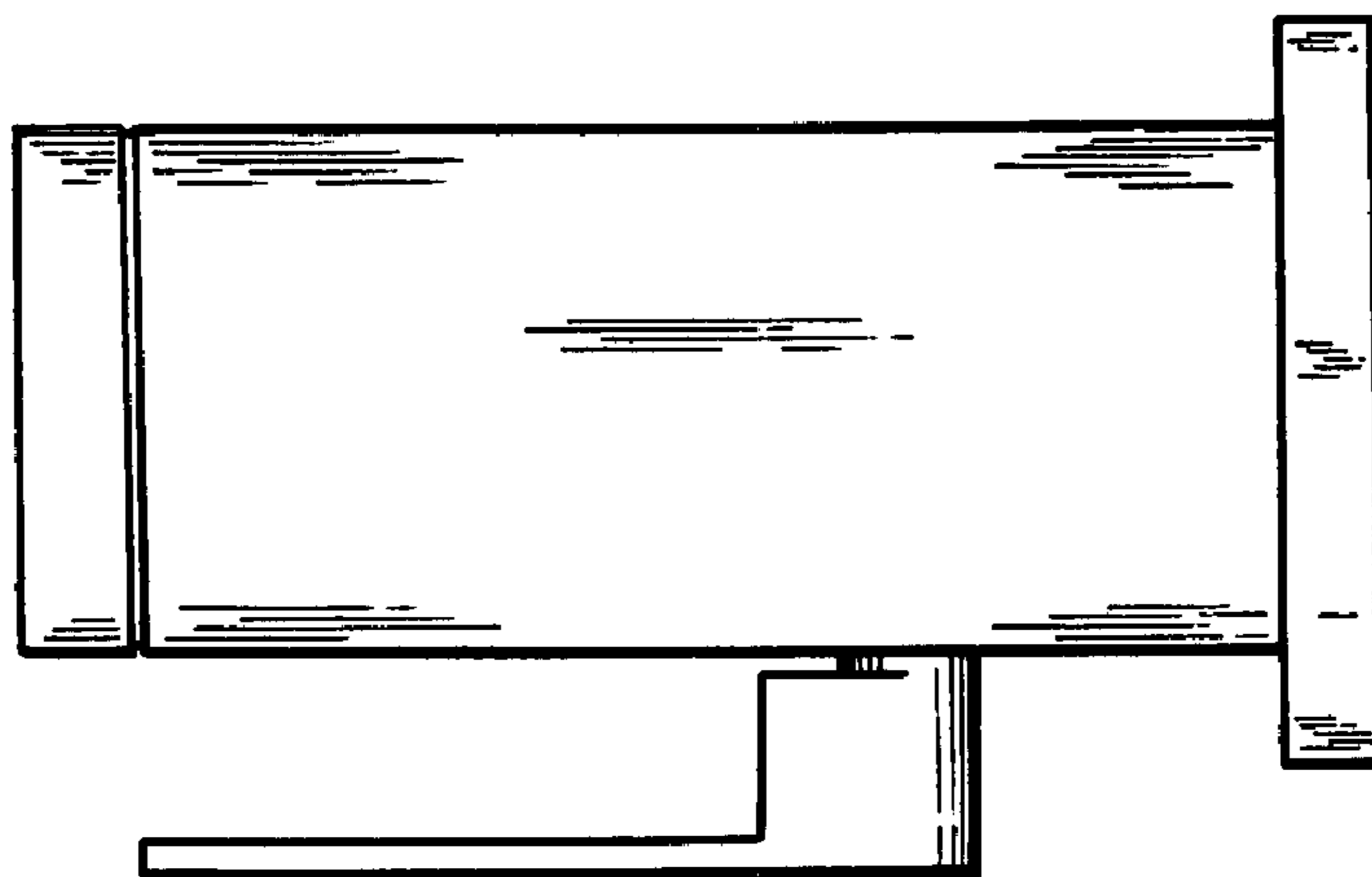


FIG. 2

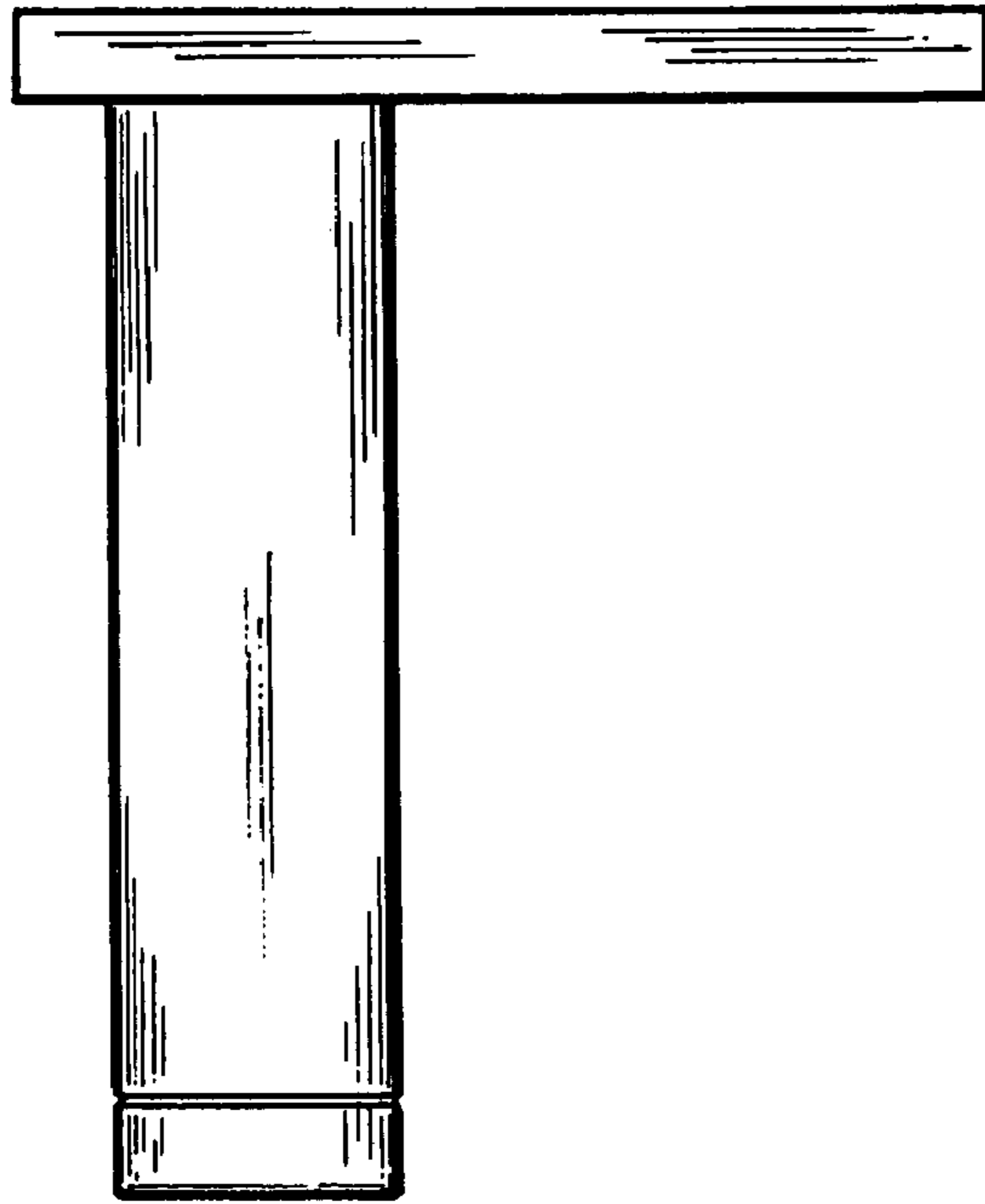


FIG. 3

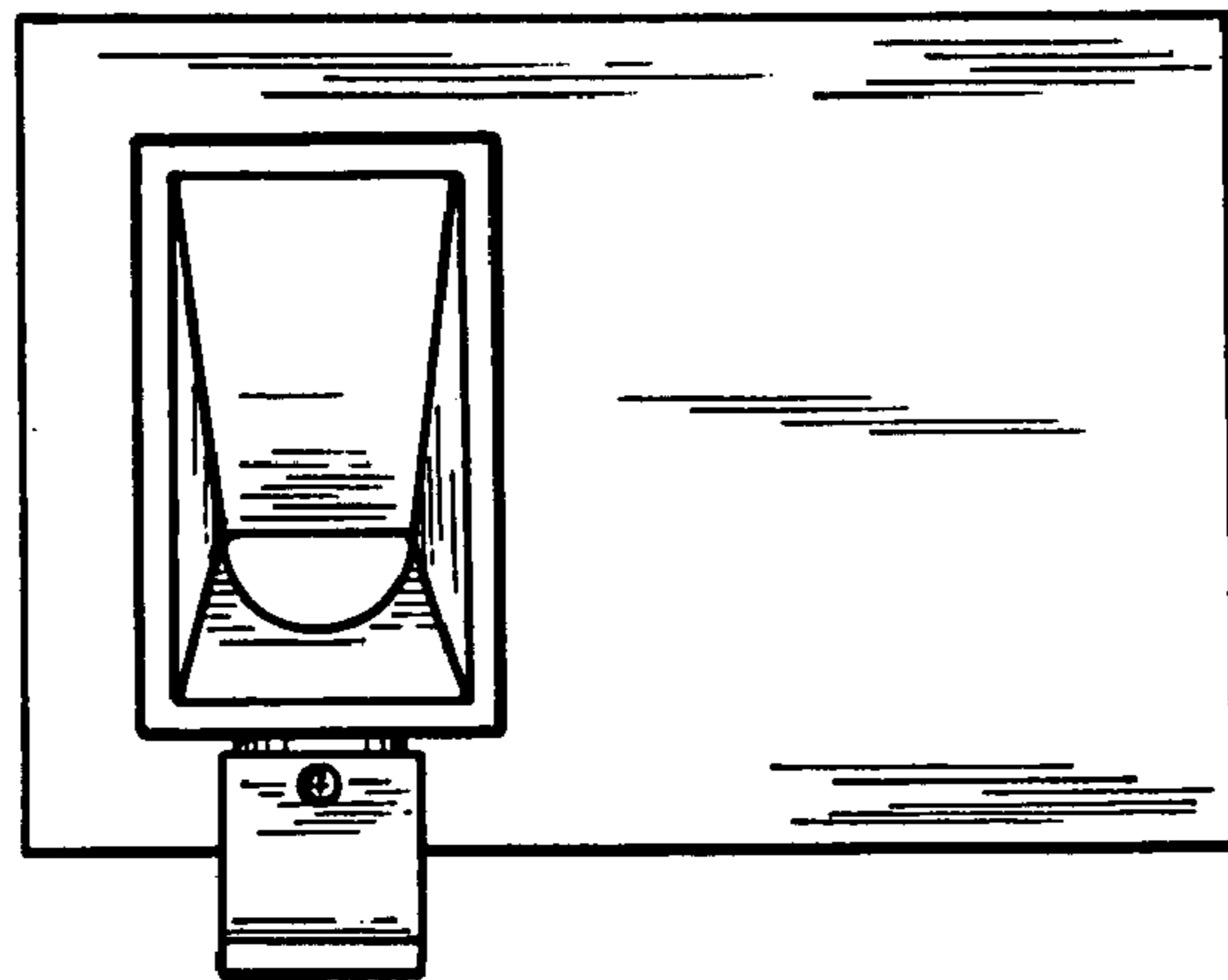


FIG. 4

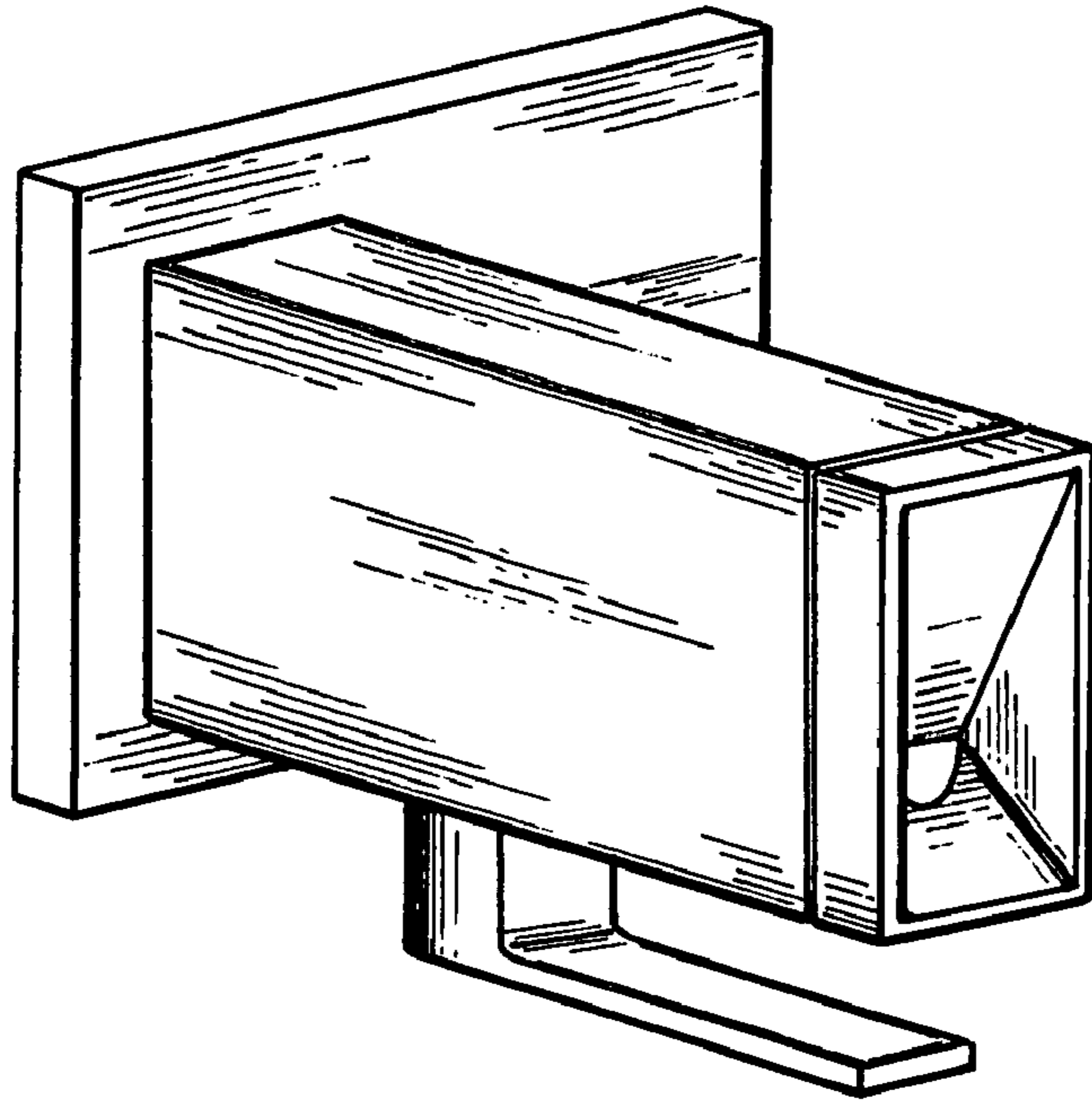


FIG. 5

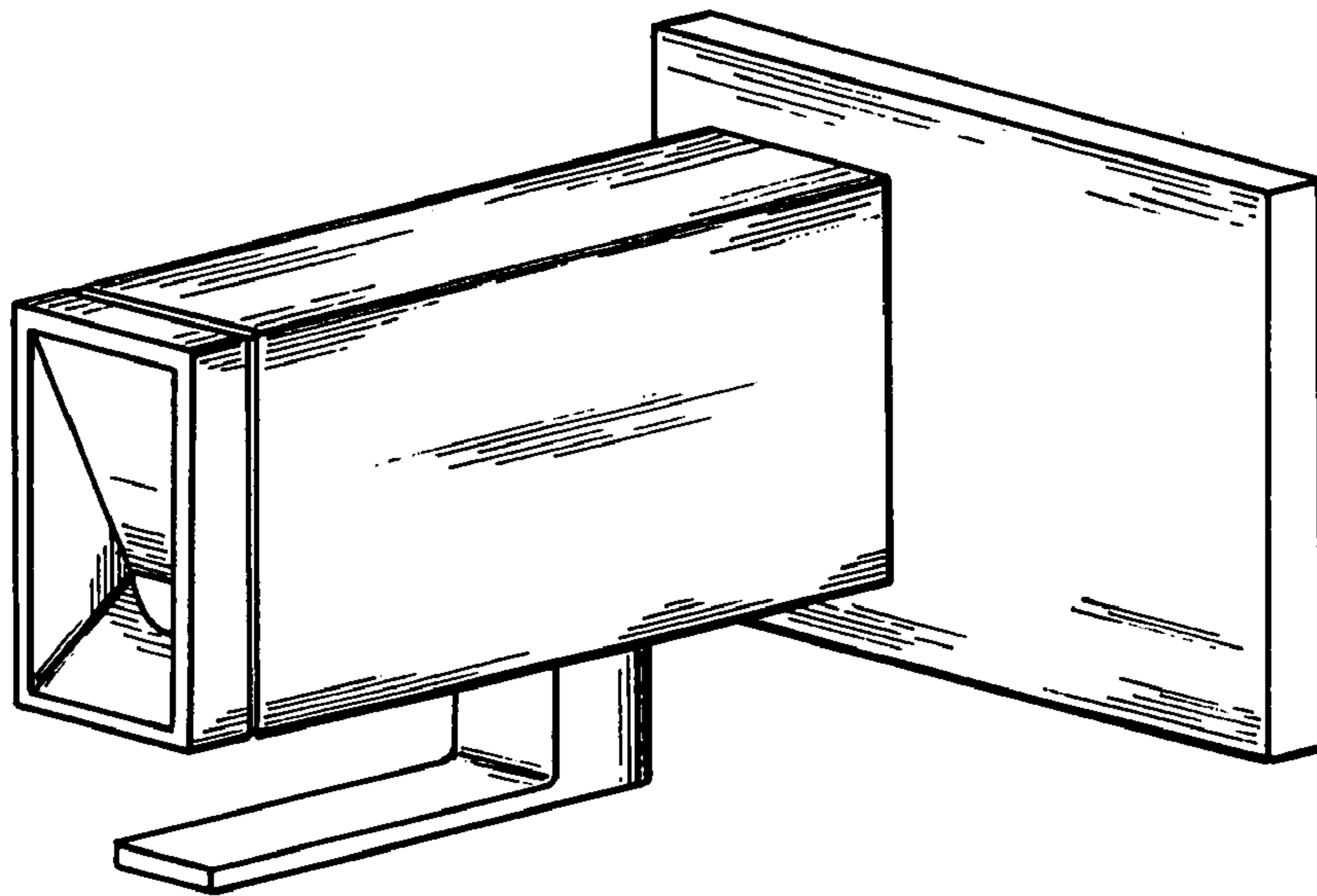


FIG. 6