



US00D573227S

(12) **United States Design Patent**
Mirazita et al.

(10) **Patent No.:** **US D573,227 S**
(45) **Date of Patent:** **** Jul. 15, 2008**

(54) **TEXTURE SPRAY GUN**

(75) Inventors: **Frank G. Mirazita**, Sussex, NJ (US);
Sandor Peter Veres, Mahwah, NJ (US);
Michael Dosch, Lake Hiawatha, NJ
(US); **Andrew Jason Dany**, Mahwah,
NJ (US)

(73) Assignee: **Titan Tool, Inc.**, Oakland, NJ (US)

(**) Term: **14 Years**

(21) Appl. No.: **29/247,339**

(22) Filed: **Jun. 12, 2006**

(51) **LOC (8) Cl.** **23-01**

(52) **U.S. Cl.** **D23/226**

(58) **Field of Classification Search** D23/213,
D23/223, 226; 239/600, 290-291, 146-147
See application file for complete search history.

(56) **References Cited**

U.S. PATENT DOCUMENTS

3,913,844	A *	10/1975	Petrovic	239/526
4,863,104	A	9/1989	Masterson		
4,961,537	A	10/1990	Stern		
4,978,072	A	12/1990	Kurowski		
5,232,161	A	8/1993	Clemmons		
5,255,846	A	10/1993	Ortega		
5,322,221	A *	6/1994	Anderson	239/291
5,415,351	A	5/1995	Otto et al.		
5,727,736	A	3/1998	Tryon		
5,803,360	A	9/1998	Spitznagel		
5,810,258	A	9/1998	Wu		
5,918,815	A	7/1999	Wu		
5,979,797	A	11/1999	Castellano		
6,012,651	A	1/2000	Spitznagel		
6,053,436	A	4/2000	Morford		

(Continued)

OTHER PUBLICATIONS

Product Information, "Compressor Care on the Web-Paint Spraying Sandblast Blowguns," <http://www.compressor-care.com>, 2 pp.

Instruction-Parts List for Texture Spray Gun, Graco Inc., 2 pp., 1998.
Product Information, "Cleaning/Paint Supplies—Homax Pneumatic II Spray Texture Gun (4610)," Ace Hardware, <http://www.acehardware.com>, 1 pg., 2005.

Product Information, "Painting—Air Texture Gun Sprays Liquid Drywall Materials," Northern Tool + Equipment, <http://www.northerntool.com>, 2 pp.

Product Information—"Discount Air Texture Spray Gun," Front Range Tool Warehouse, <http://www.dropshipdiscounttools.com>, 1 pp.

Product Information, "Graco Professional Hopper Gun," O-Gee Paint Co., <http://www.o-geepaint.com>, 2 pp.

Product Information, "Texture Hopper Gun," "Accessories," Graco Inc., 2 pp.

Product Information, "Parts-Gun," Graco Inc., 1 pp.

Primary Examiner—Robin V Webster

(74) *Attorney, Agent, or Firm*—Faegre & Benson LLP

(57) **CLAIM**

The ornamental design for a texture spray gun, as shown.

DESCRIPTION

FIG. 1 is a perspective view from the side and slightly ahead of a texture spray gun of the present invention.

FIG. 2 is a front elevation view of the texture spray gun of FIG. 1.

FIG. 3 is a left side elevation view of the texture spray gun of FIG. 1.

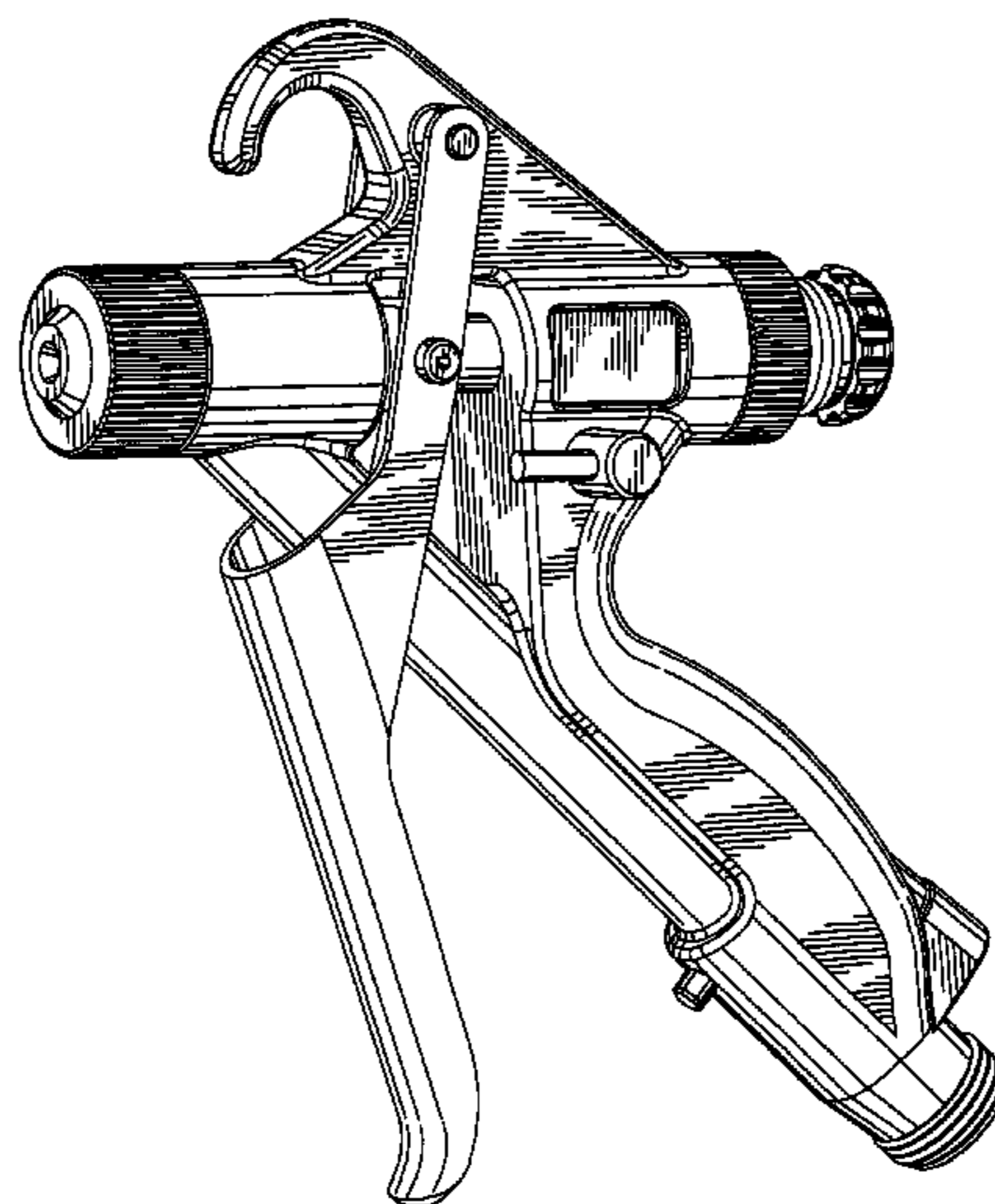
FIG. 4 is a right side elevation view of the texture spray gun of FIG. 1.

FIG. 5 is a rear elevation view of the texture spray gun of FIG. 1.

FIG. 6 is a top plan view of the texture spray gun of FIG. 1; and,

FIG. 7 is a bottom plan view of the texture spray gun of FIG. 1.

1 Claim, 4 Drawing Sheets



US D573,227 S

Page 2

U.S. PATENT DOCUMENTS

6,092,740	A	7/2000	Liu	6,726,125	B1	4/2004	Nonis et al.	
6,105,882	A	8/2000	Woltjen	6,845,924	B2 *	1/2005	Schmon	239/526
6,168,093	B1	1/2001	Greer, Jr. et al.	6,863,227	B2	3/2005	Wollenberg et al.	
6,213,410	B1	4/2001	Spitznagel	7,017,838	B2 *	3/2006	Schmon	239/526
6,536,684	B1	3/2003	Wei	7,032,839	B2 *	4/2006	Blette et al.	239/302
6,712,292	B1	3/2004	Gosis et al.	2003/0010843	A1	1/2003	Liao	

* cited by examiner

FIG. 1

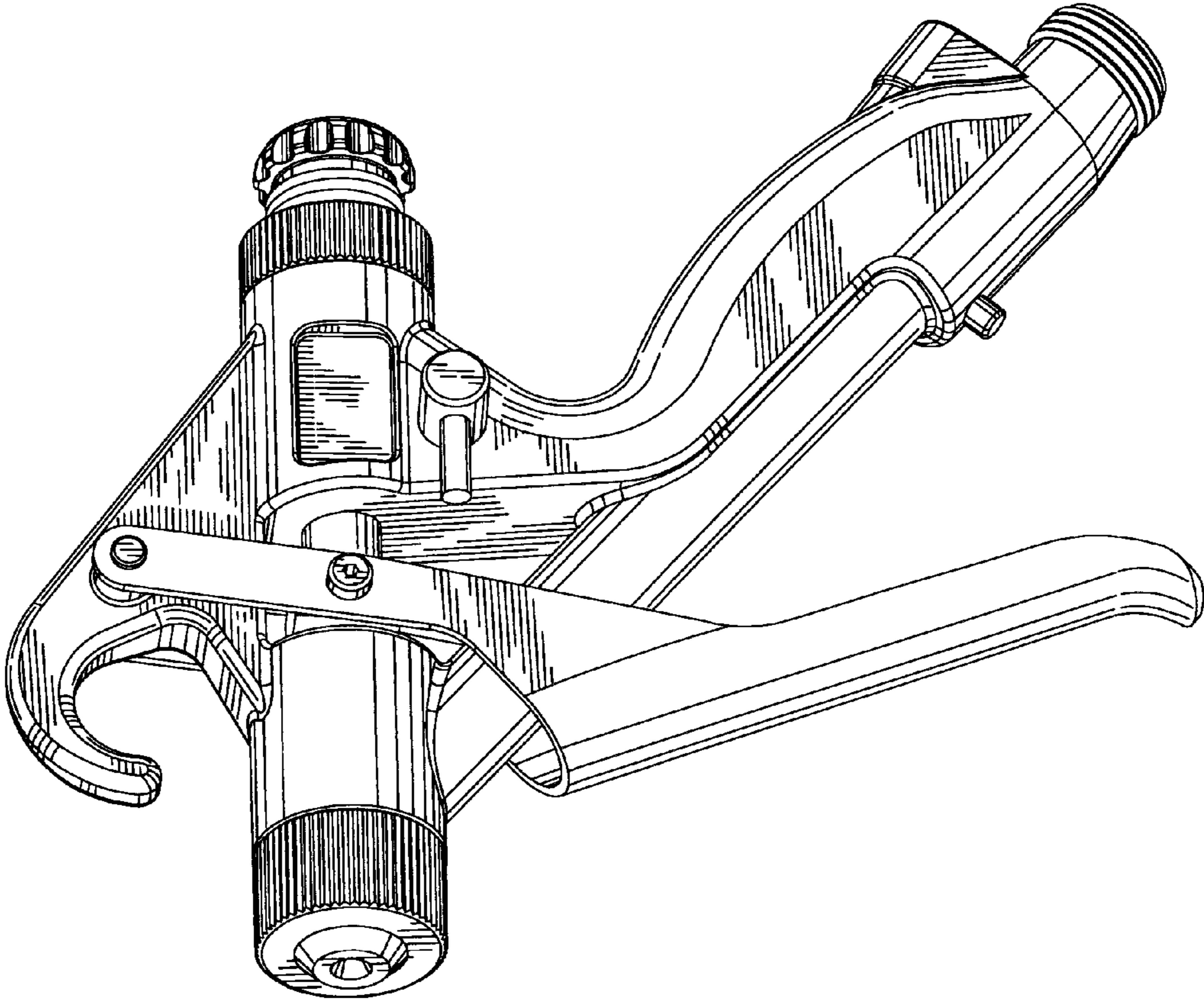


FIG. 2

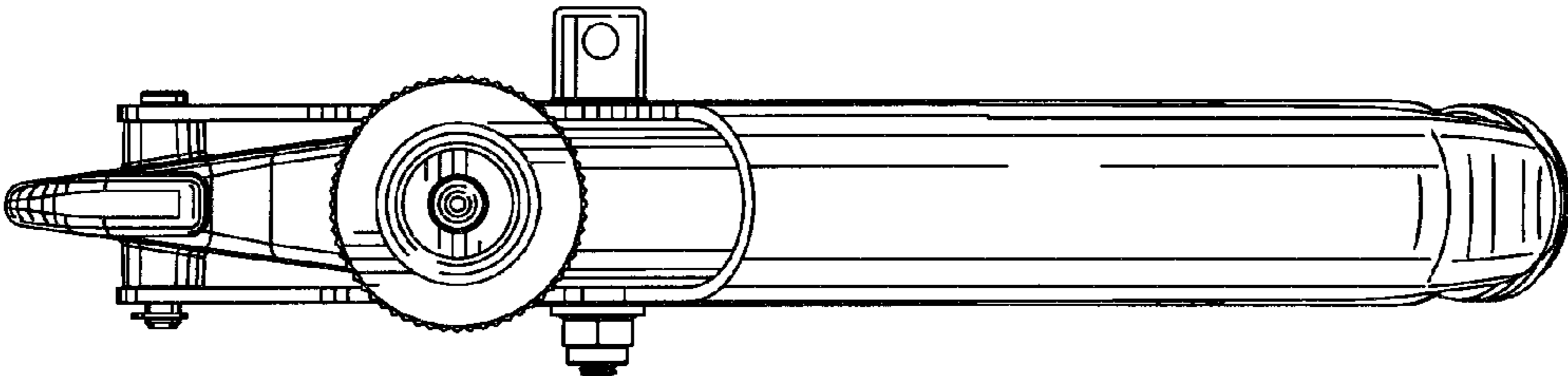


FIG. 4

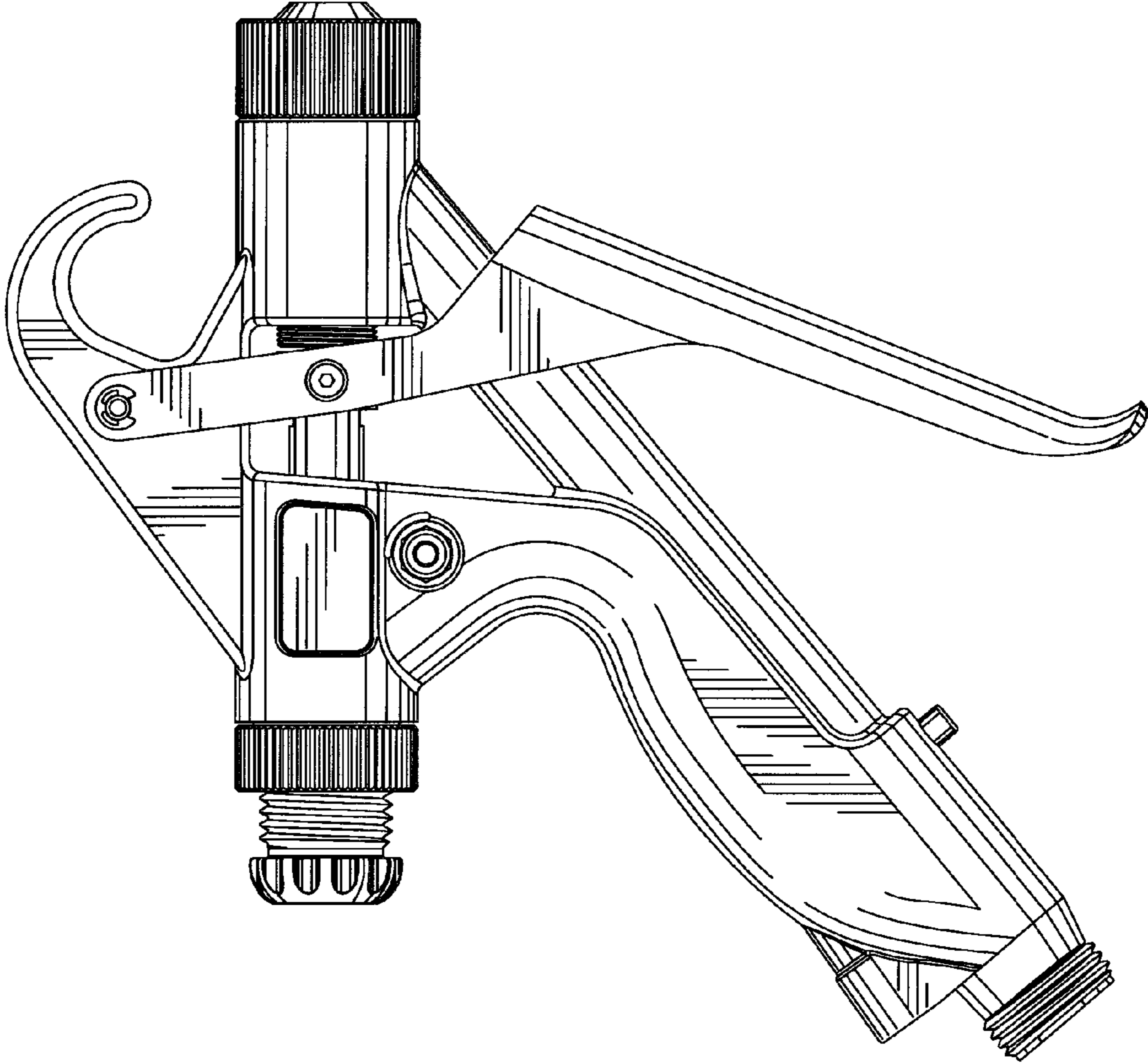


FIG. 5

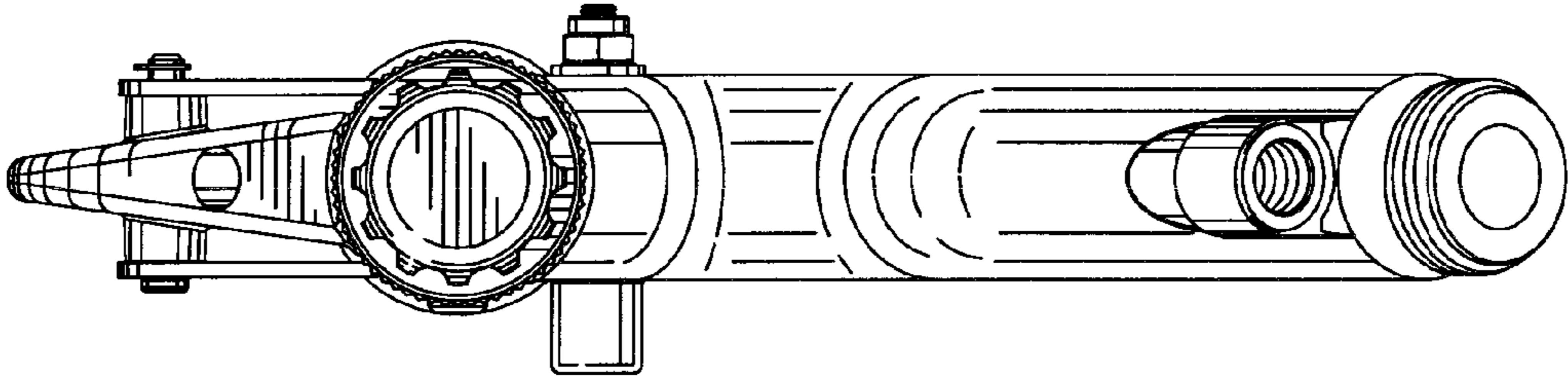


FIG. 3

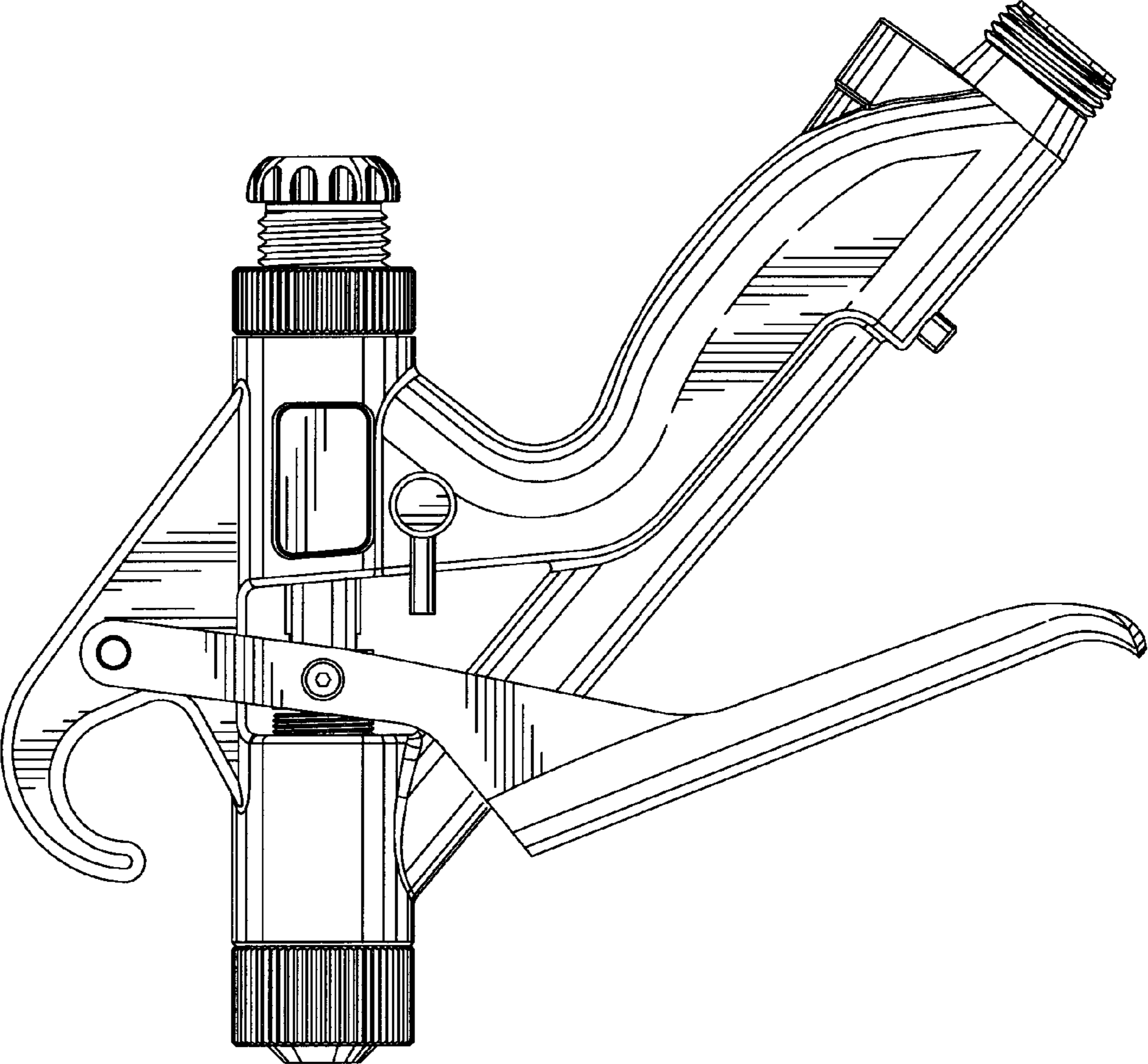


FIG. 7

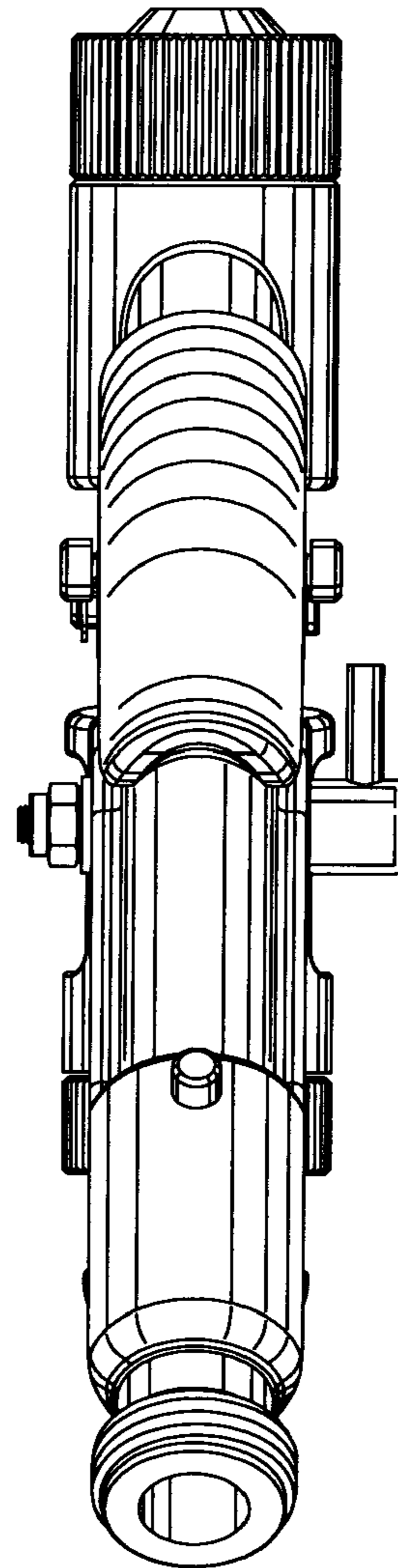


FIG. 6

