



US00D573226S

(12) **United States Design Patent**  
**Everett et al.**

(10) **Patent No.:** **US D573,226 S**  
(45) **Date of Patent:** **\*\* Jul. 15, 2008**

(54) **CUP PAINT GUN**

D490,500 S \* 5/2004 Ye et al. .... D23/225  
D503,213 S \* 3/2005 Stevens et al. .... D23/225  
D503,215 S \* 3/2005 Stevens et al. .... D23/225

(75) Inventors: **Peter Everett**, Collinsville, CT (US);  
**Robert H. Bruno**, Avon, CT (US);  
**Frank Sterpka**, West Hartford, CT (US)

\* cited by examiner

(73) Assignee: **Wagner Spray Tech Corporation**,  
Plymouth, MN (US)

*Primary Examiner*—Robin V Webster

(74) *Attorney, Agent, or Firm*—Faegre & Benson LLP

(\*\*) Term: **14 Years**

(57) **CLAIM**

(21) Appl. No.: **29/295,825**

The ornamental design for a cup paint gun, as shown and described.

(22) Filed: **Oct. 8, 2007**

**DESCRIPTION**

**Related U.S. Application Data**

(62) Division of application No. 29/247,115, filed on May 31, 2006.

FIG. 1 is a perspective view of a cup paint gun the present invention.

(51) **LOC (8) Cl.** ..... **23-01**

(52) **U.S. Cl.** ..... **D23/225**

FIG. 2 is a left side view of the cup paint gun.

FIG. 3 is a right side view of the cup paint gun.

(58) **Field of Classification Search** ..... D23/213,  
D23/225; 222/333; 417/411; 239/337, DIG. 14  
See application file for complete search history.

FIG. 4 is a rear view of the cup paint gun.

FIG. 5 is a front view of the cup paint gun.

FIG. 6 is a top view of the cup paint gun; and,

FIG. 7 is a bottom view of the cup paint gun.

(56) **References Cited**

The broken line showing of the power cord is included for the purpose of illustrating portions of the paint gun and forms no part of the claimed design.

**U.S. PATENT DOCUMENTS**

D286,426 S \* 10/1986 Lin ..... D23/225  
D307,463 S \* 4/1990 Fushiya et al. .... D23/225

**1 Claim, 7 Drawing Sheets**

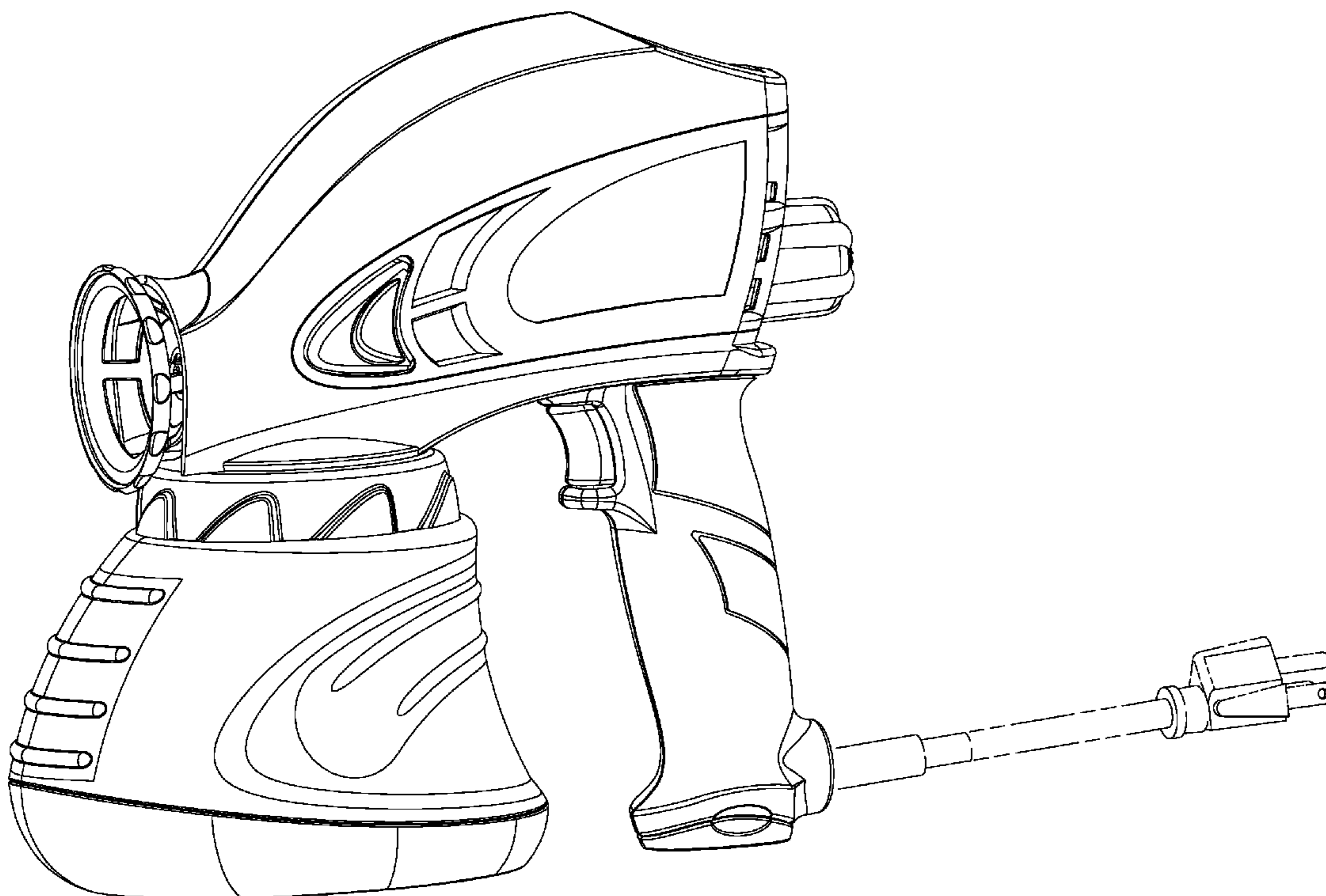
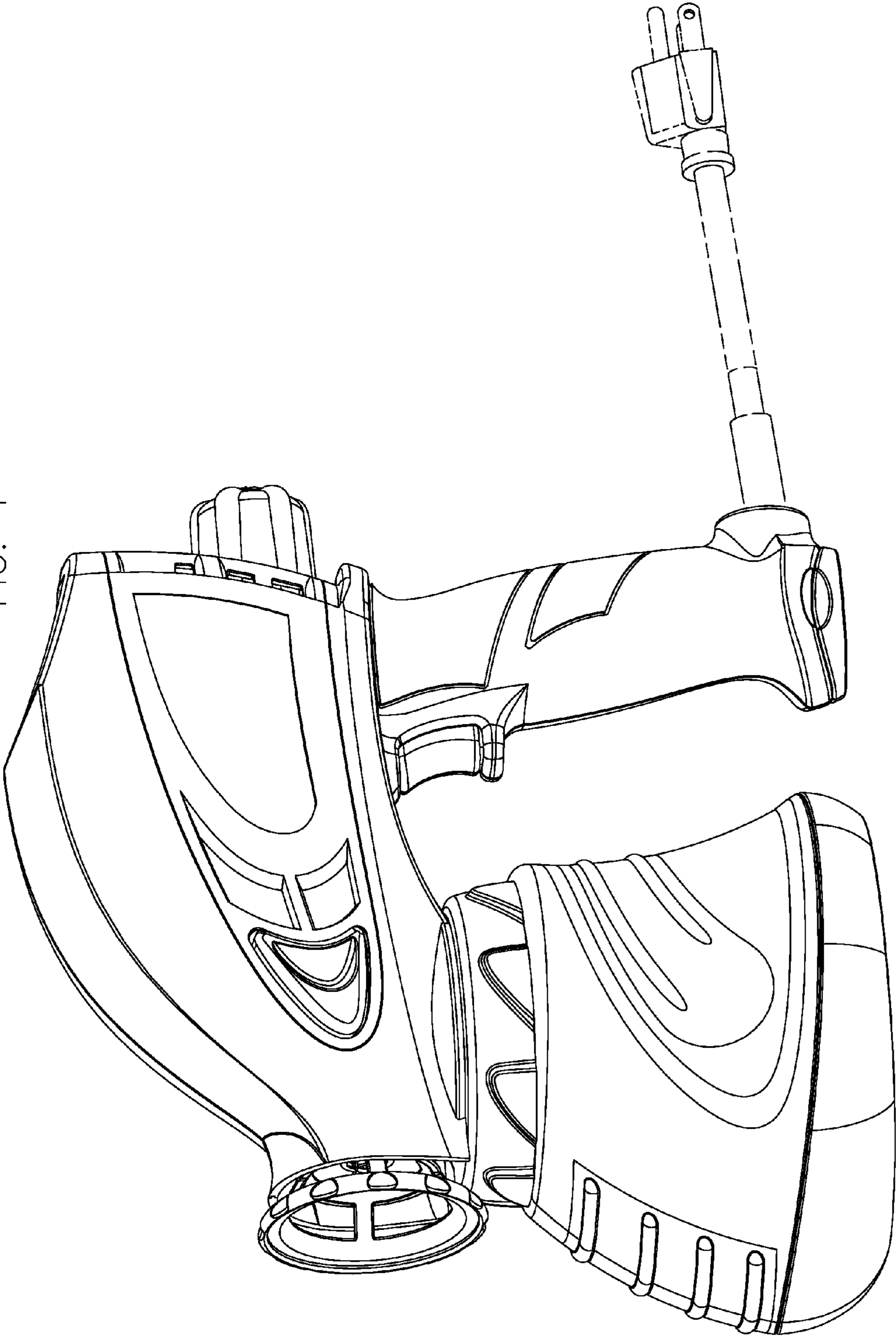


FIG. 1



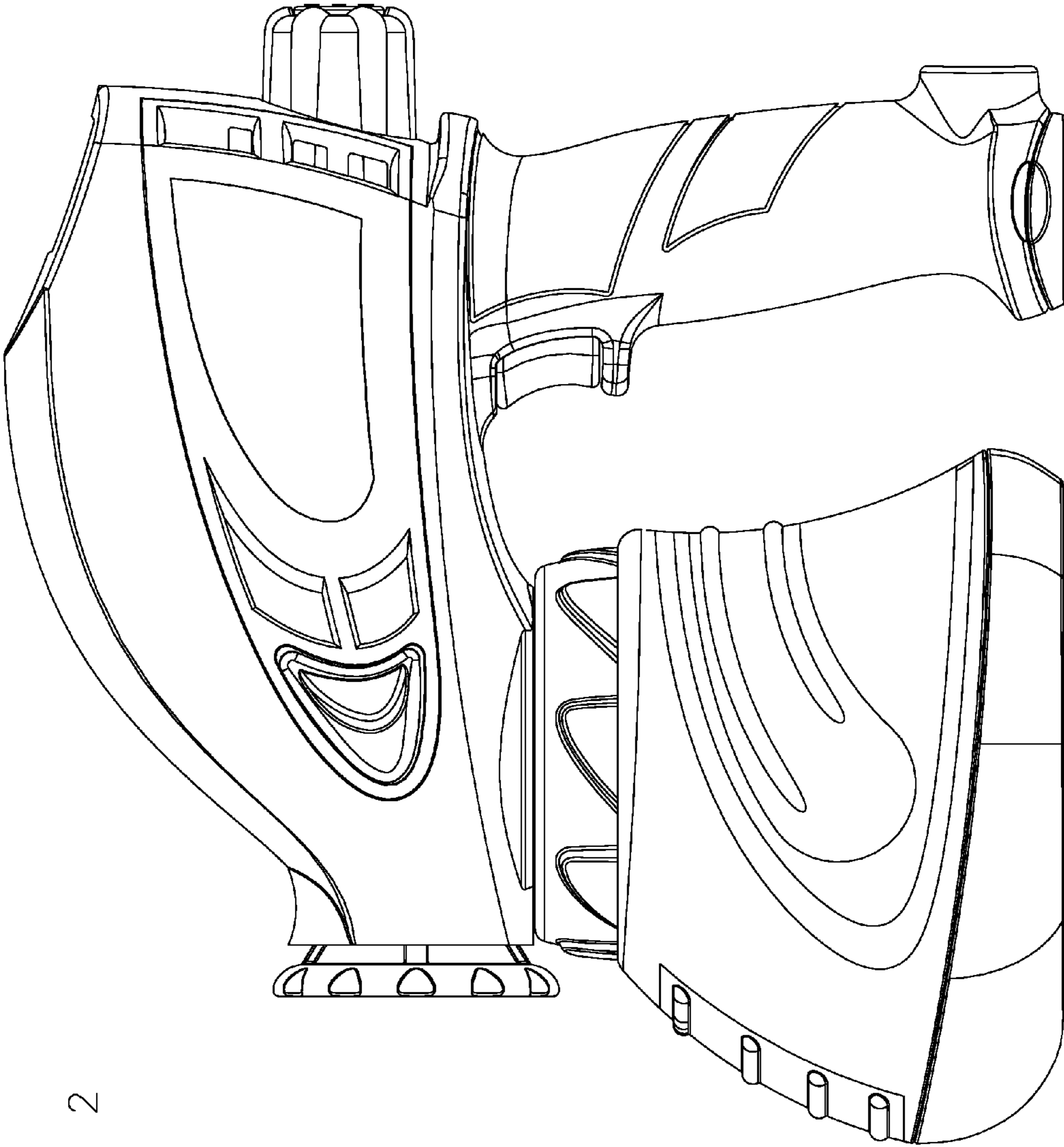


FIG. 2

FIG. 3

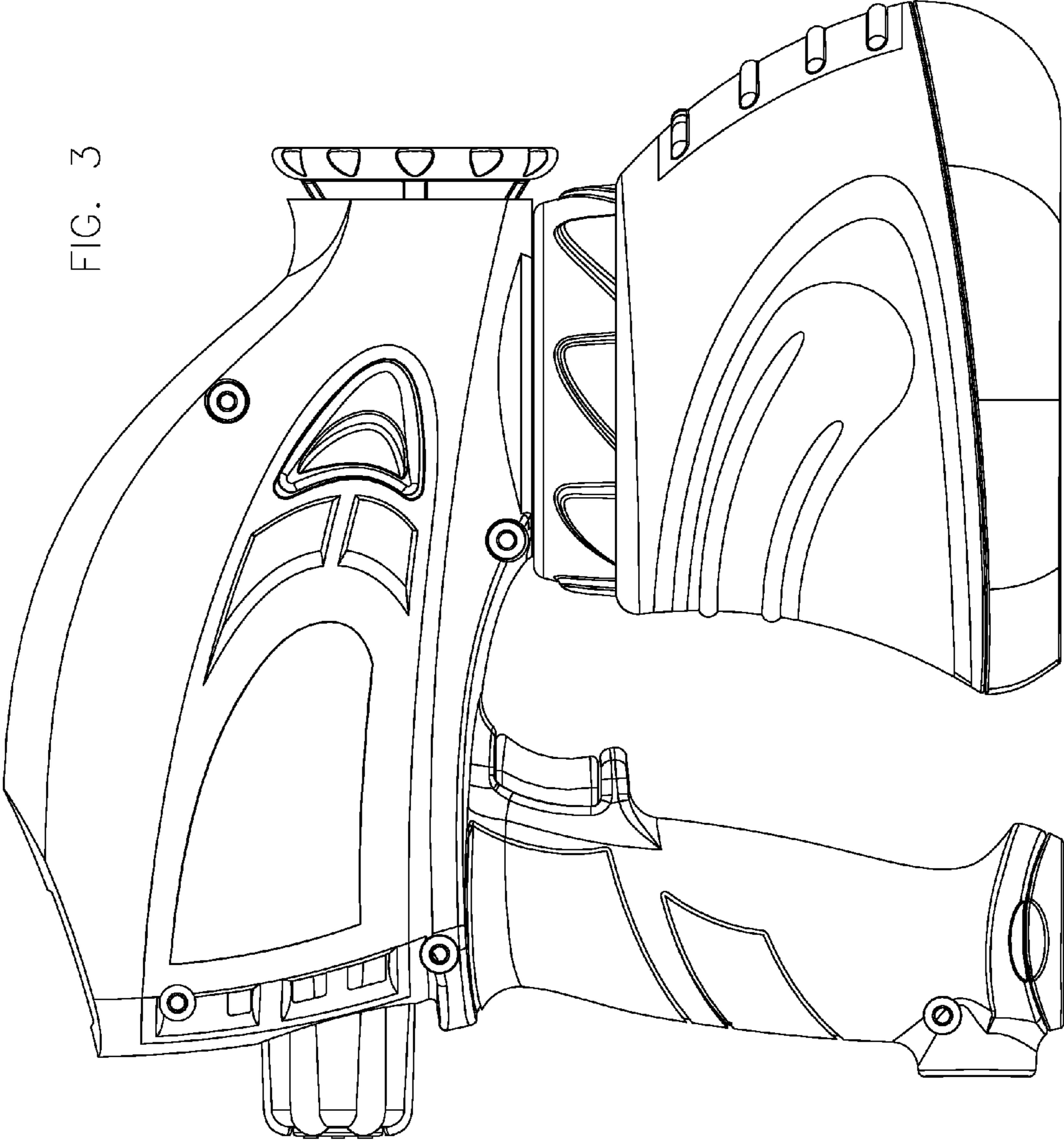


FIG. 4

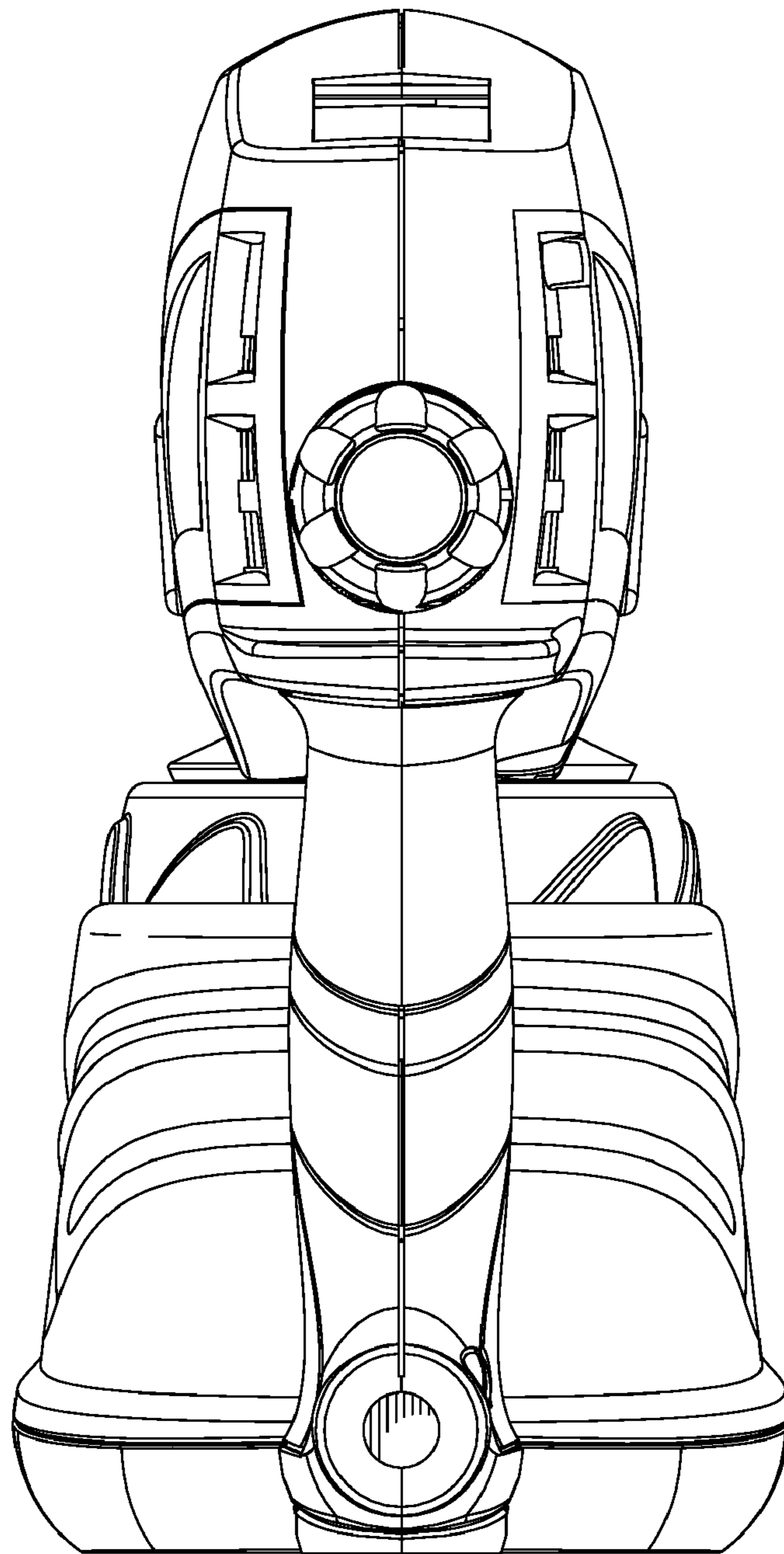


FIG. 5

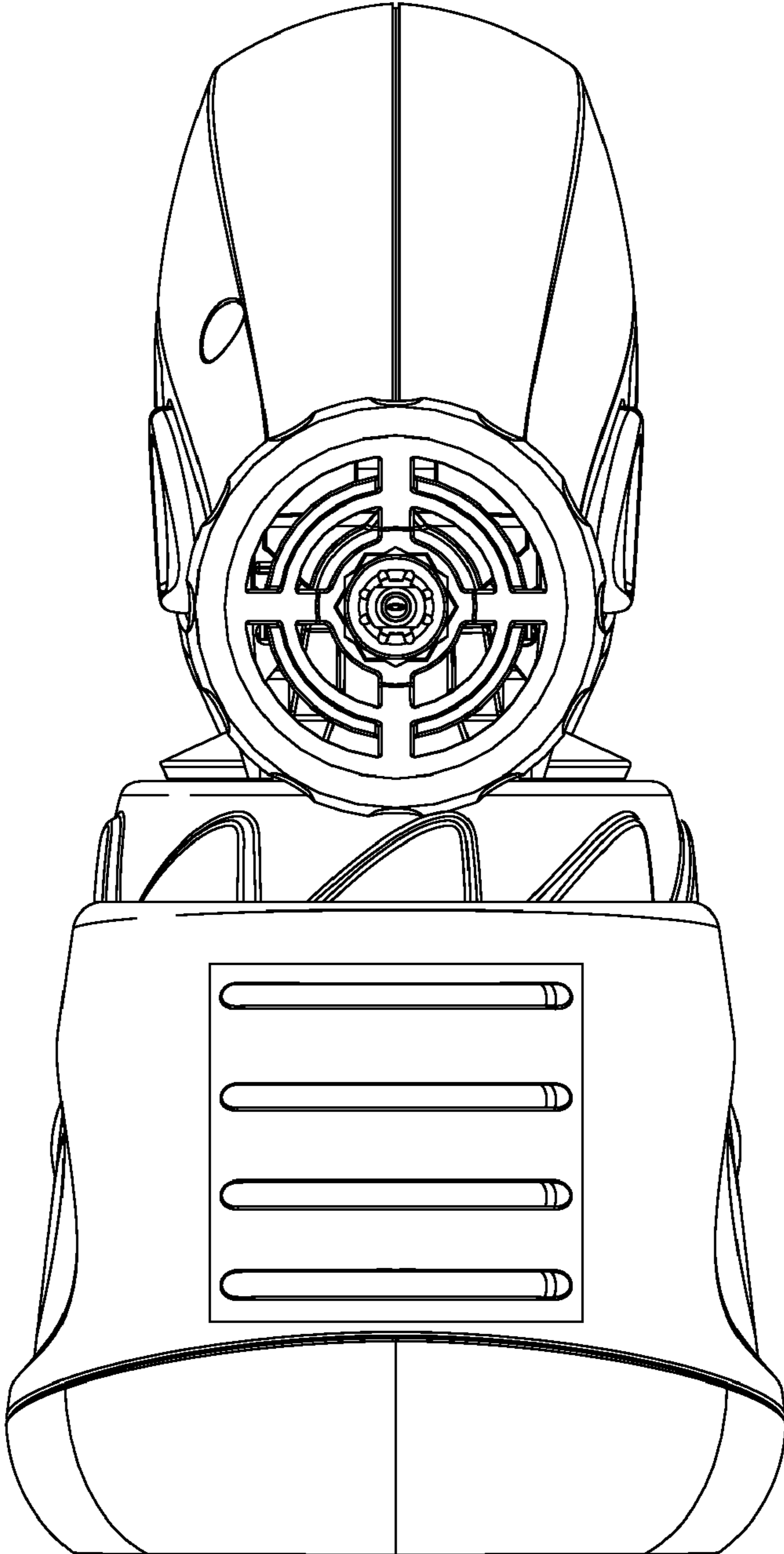


FIG. 6

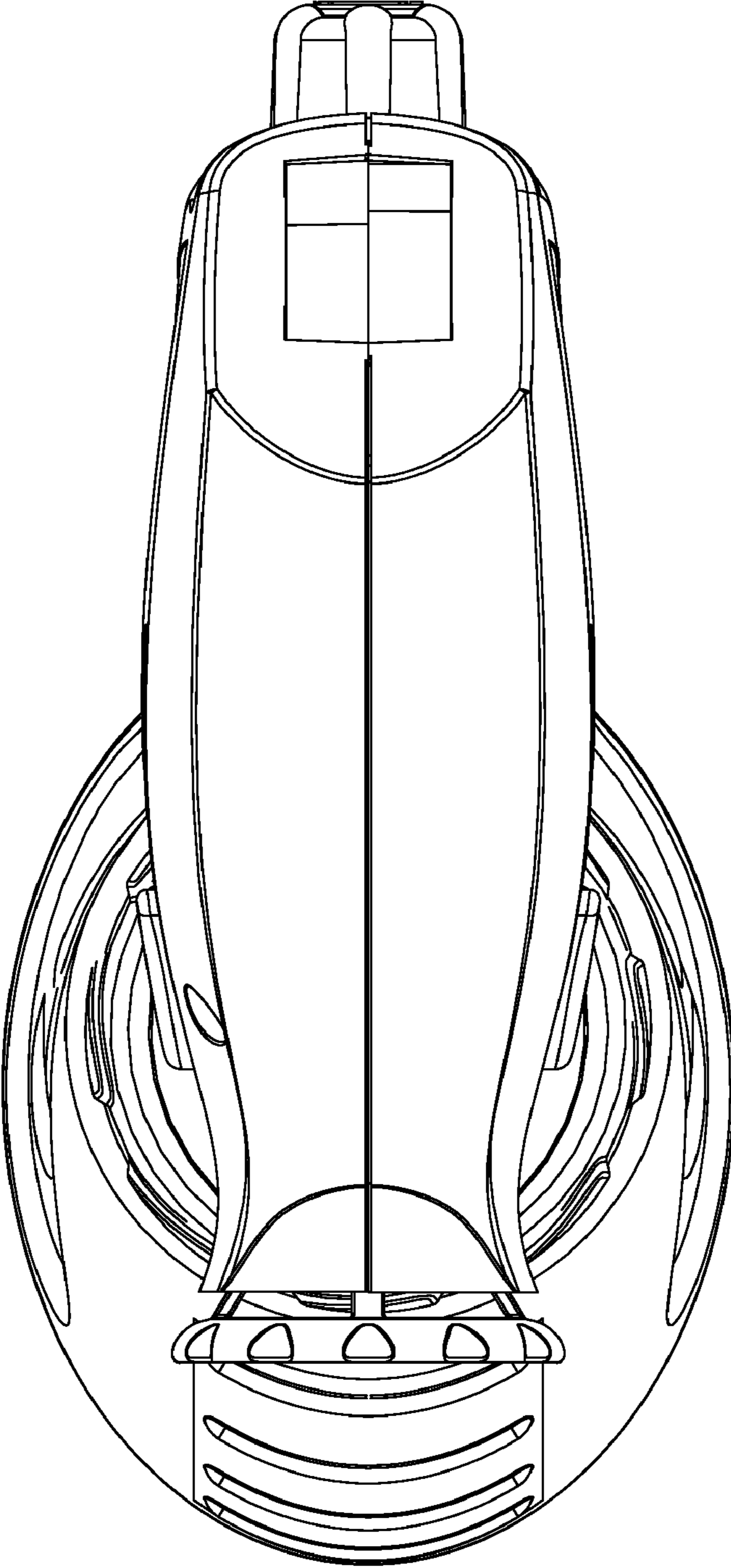


FIG. 7

