



US00D573225S

(12) **United States Design Patent**
Khubani

(10) **Patent No.:** **US D573,225 S**
(45) **Date of Patent:** **** Jul. 15, 2008**

(54) **CLOSED-END FISHING REEL**

D521,104 S * 5/2006 Wong D22/140
D530,778 S * 10/2006 Young D22/141

(76) Inventor: **Ajit Khubani**, c/o Telebrands Corporation, 79 Two Bridges Rd., Fairfield, NJ (US) 07004

* cited by examiner

Primary Examiner—Catherine R Oliver
(74) *Attorney, Agent, or Firm*—Cooper & Dunham LLP

(**) Term: **14 Years**

(57) **CLAIM**

(21) Appl. No.: **29/286,500**

The ornamental design for a closed-end fishing reel, as shown and described.

(22) Filed: **May 7, 2007**

(51) **LOC (8) Cl.** **22-05**

(52) **U.S. Cl.** **D22/141**

(58) **Field of Classification Search** D22/137,
D22/140, 141; 242/234–240, 310–312, 314,
242/319, 323

See application file for complete search history.

DESCRIPTION

FIG. 1 is a perspective view thereof;
FIG. 2 is a front view thereof;
FIG. 3 is a rear view thereof;
FIG. 4 is a side view thereof;
FIG. 5 is the other side view thereof;
FIG. 6 is a top view thereof; and,
FIG. 7 is a bottom view thereof.

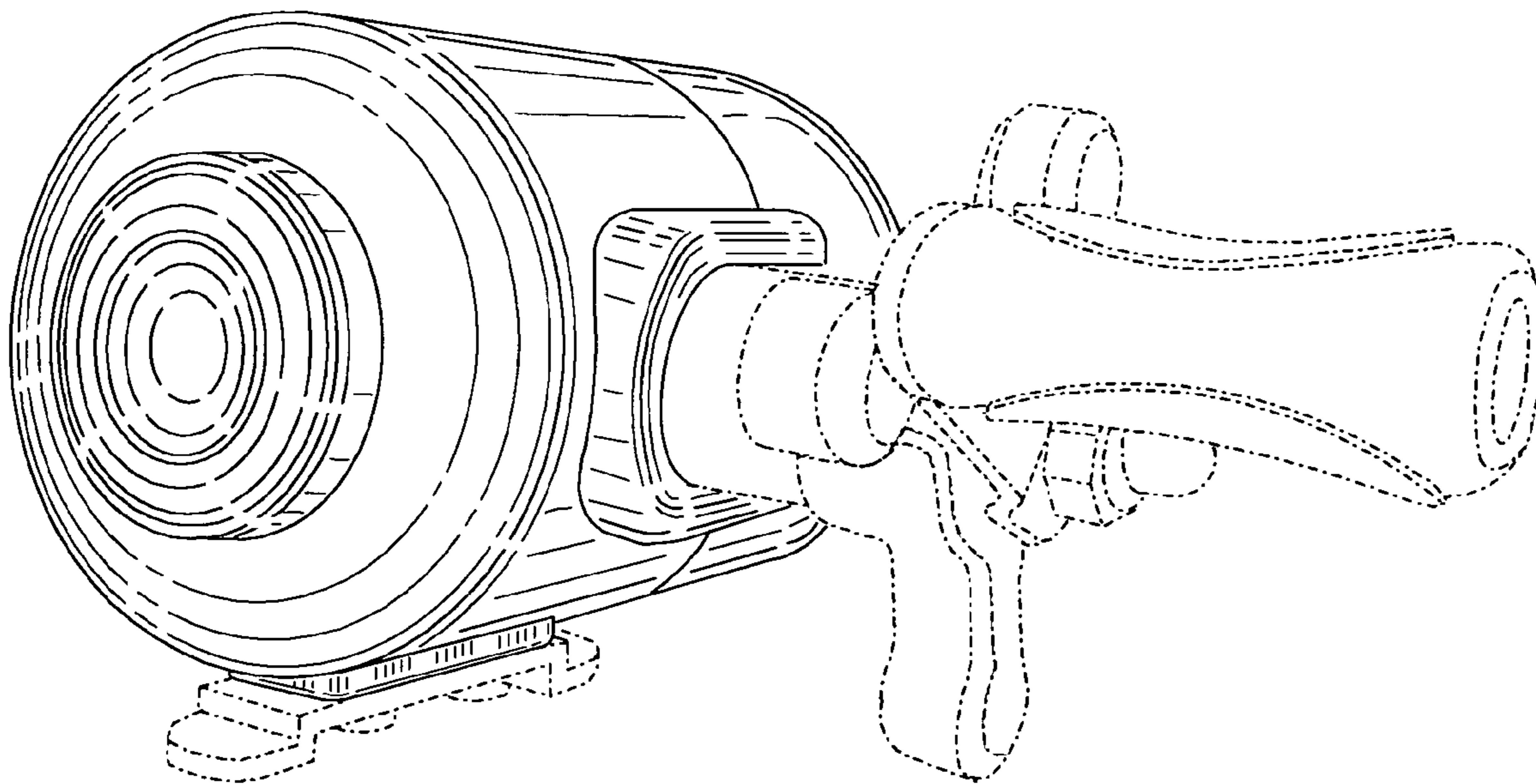
The broken lines in FIGS. 1–7 are for illustrative purposes and form no part of the claimed design.

(56) **References Cited**

U.S. PATENT DOCUMENTS

D376,409 S * 12/1996 Zwayer et al. D22/141
D380,521 S * 7/1997 Robbins D22/141
D414,840 S * 10/1999 Kirby D22/141
6,138,935 A * 10/2000 Zwayer et al. 242/311
D491,998 S * 6/2004 Burke D22/140

1 Claim, 5 Drawing Sheets



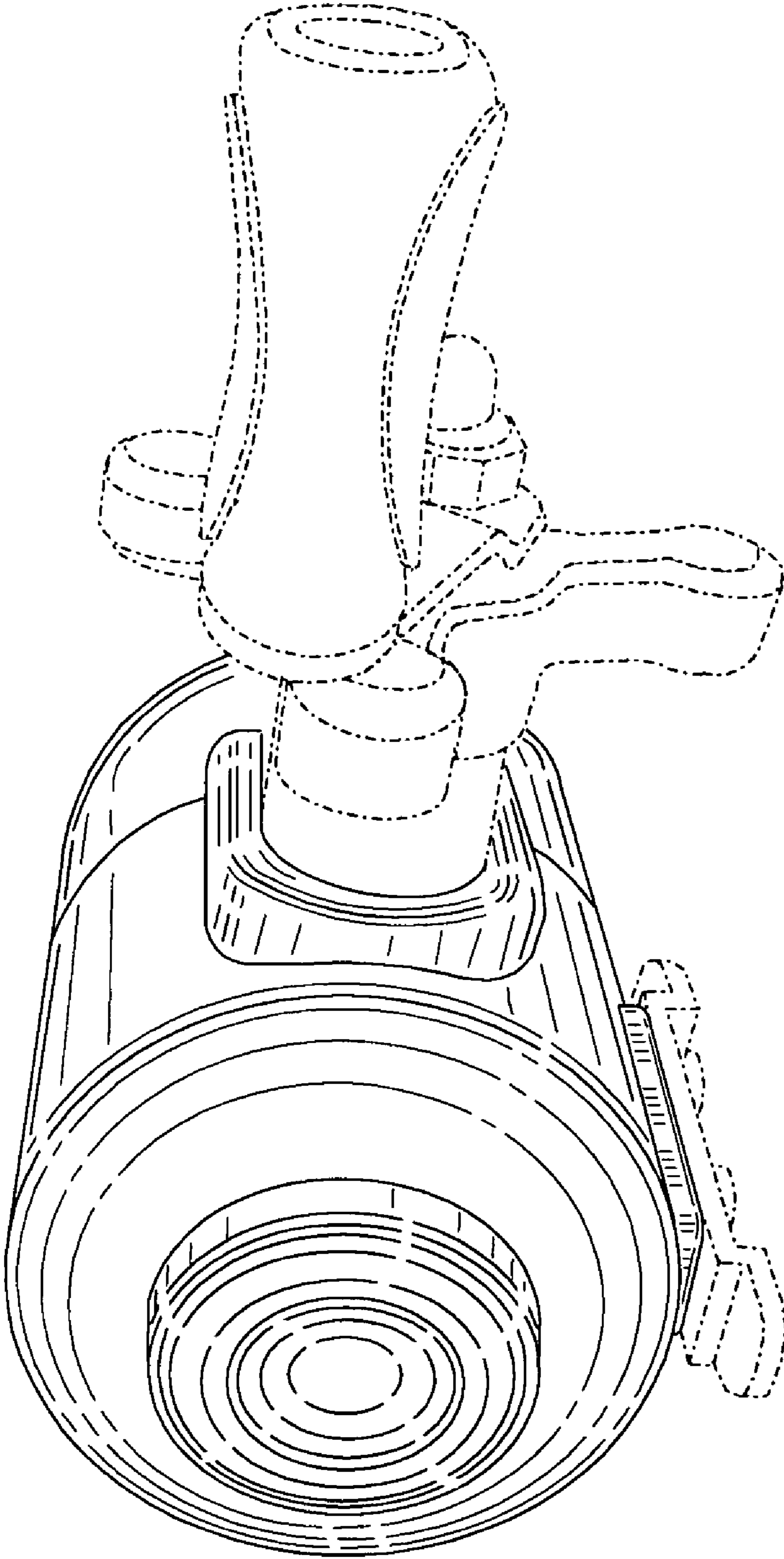


FIG. 1

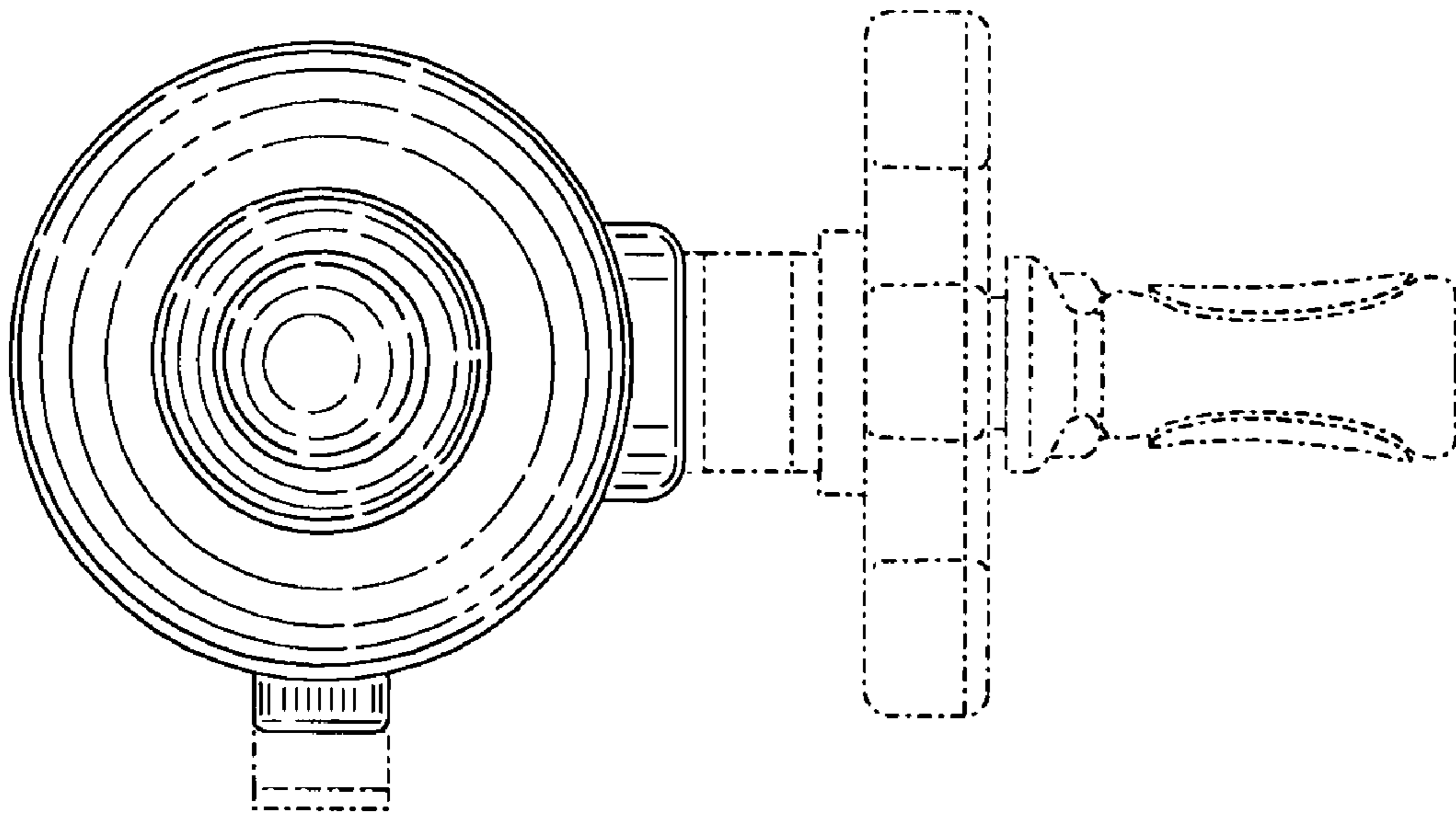


FIG. 2

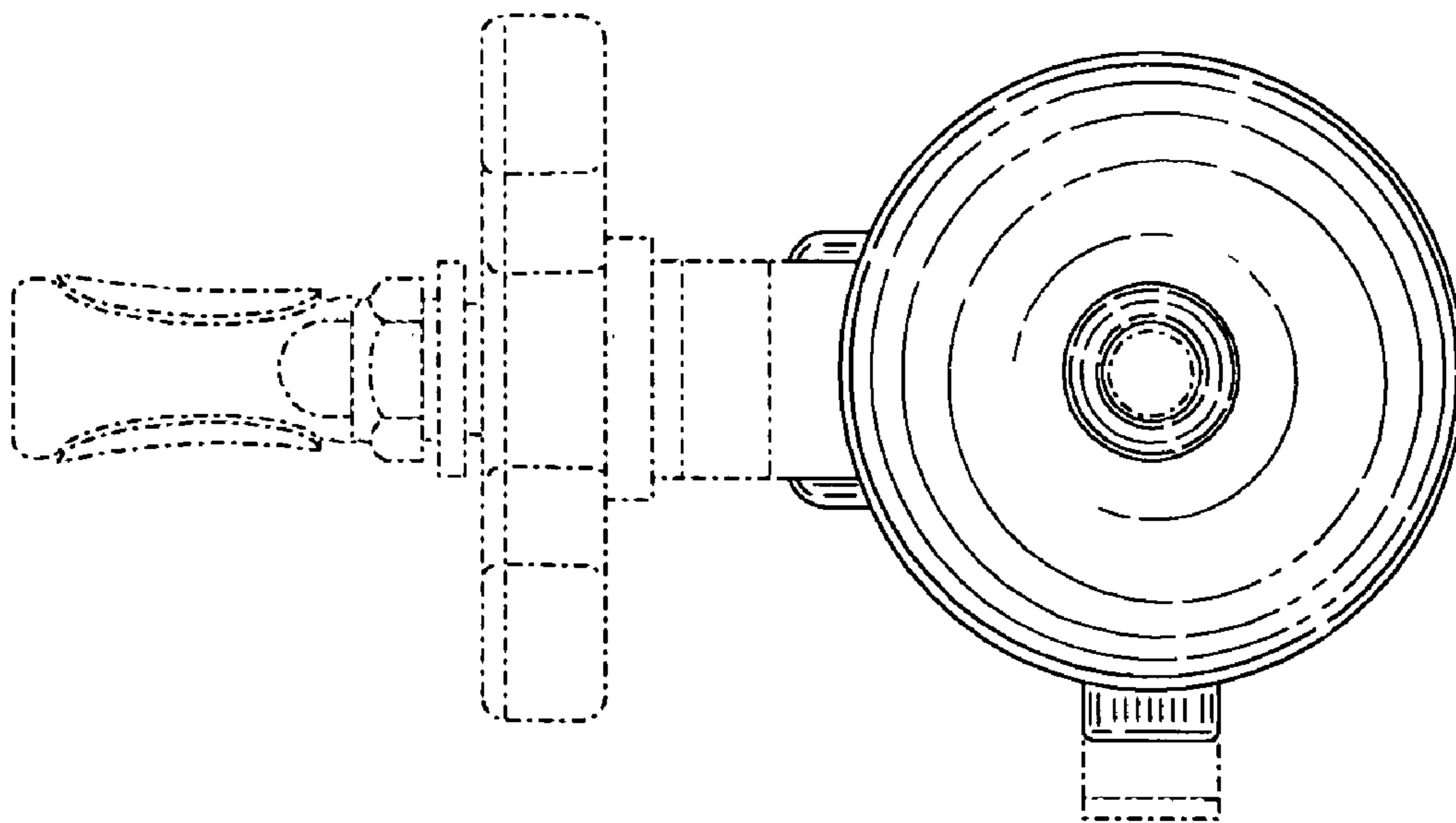


FIG. 3

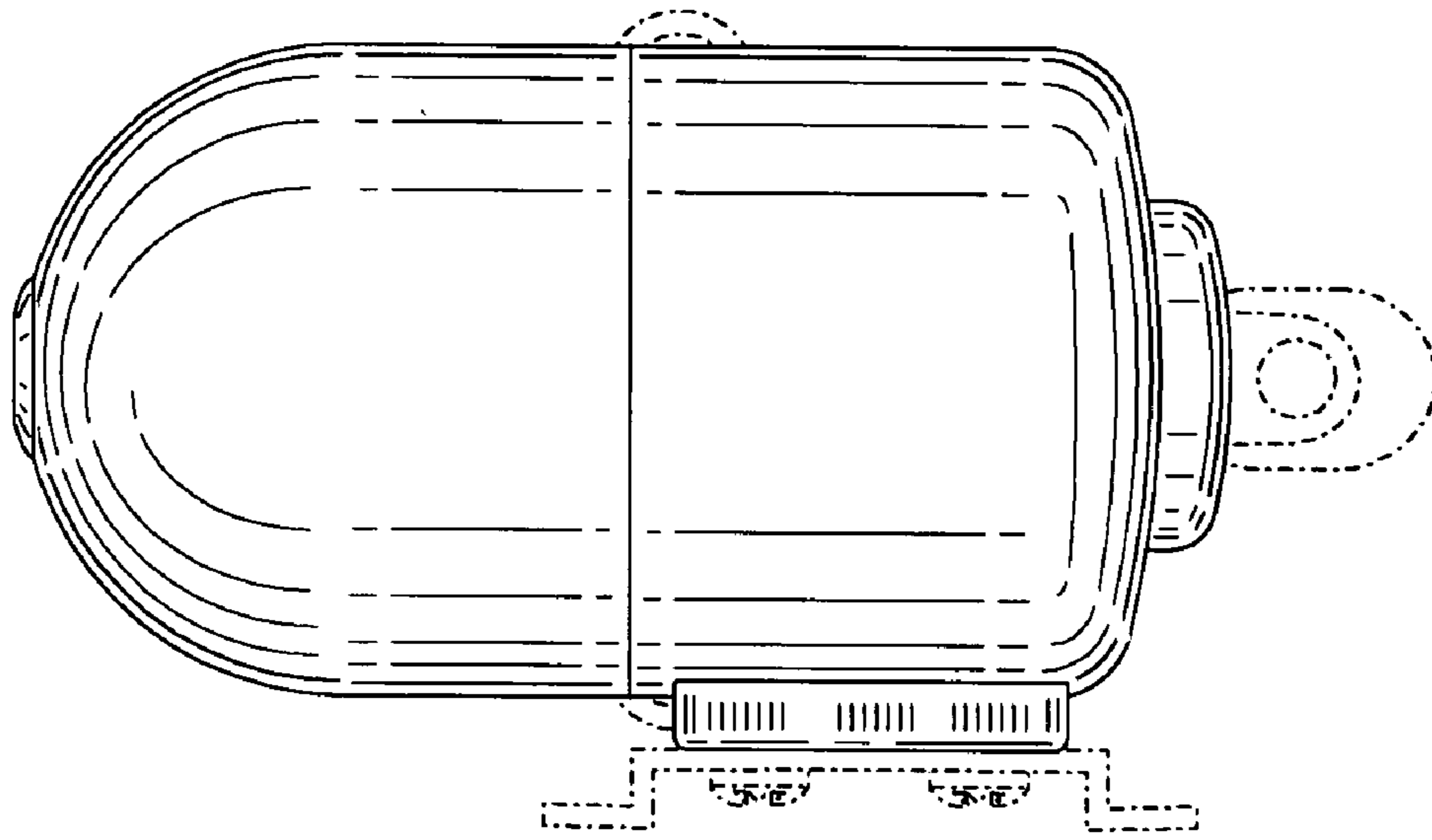


FIG. 4

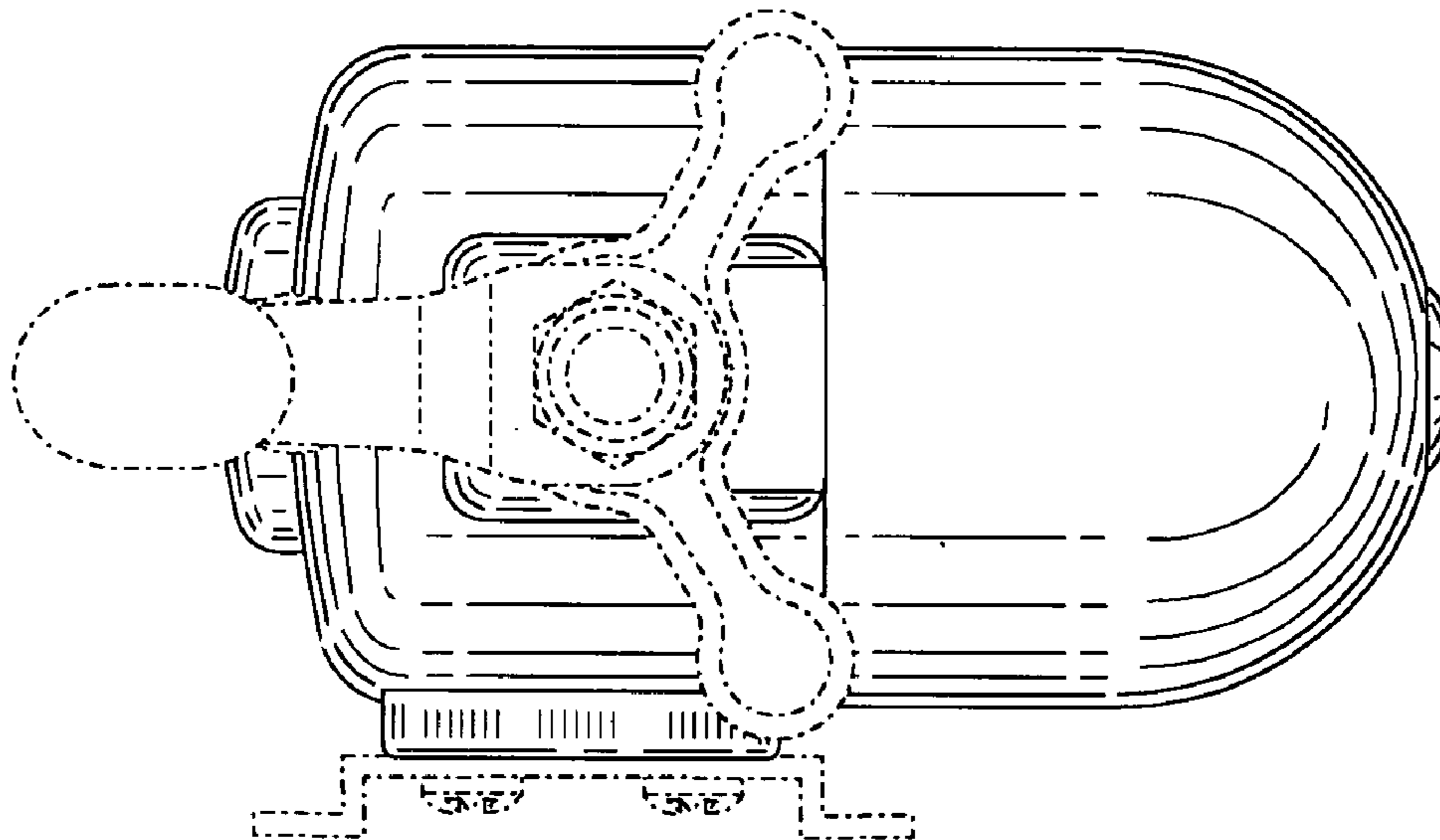


FIG. 5

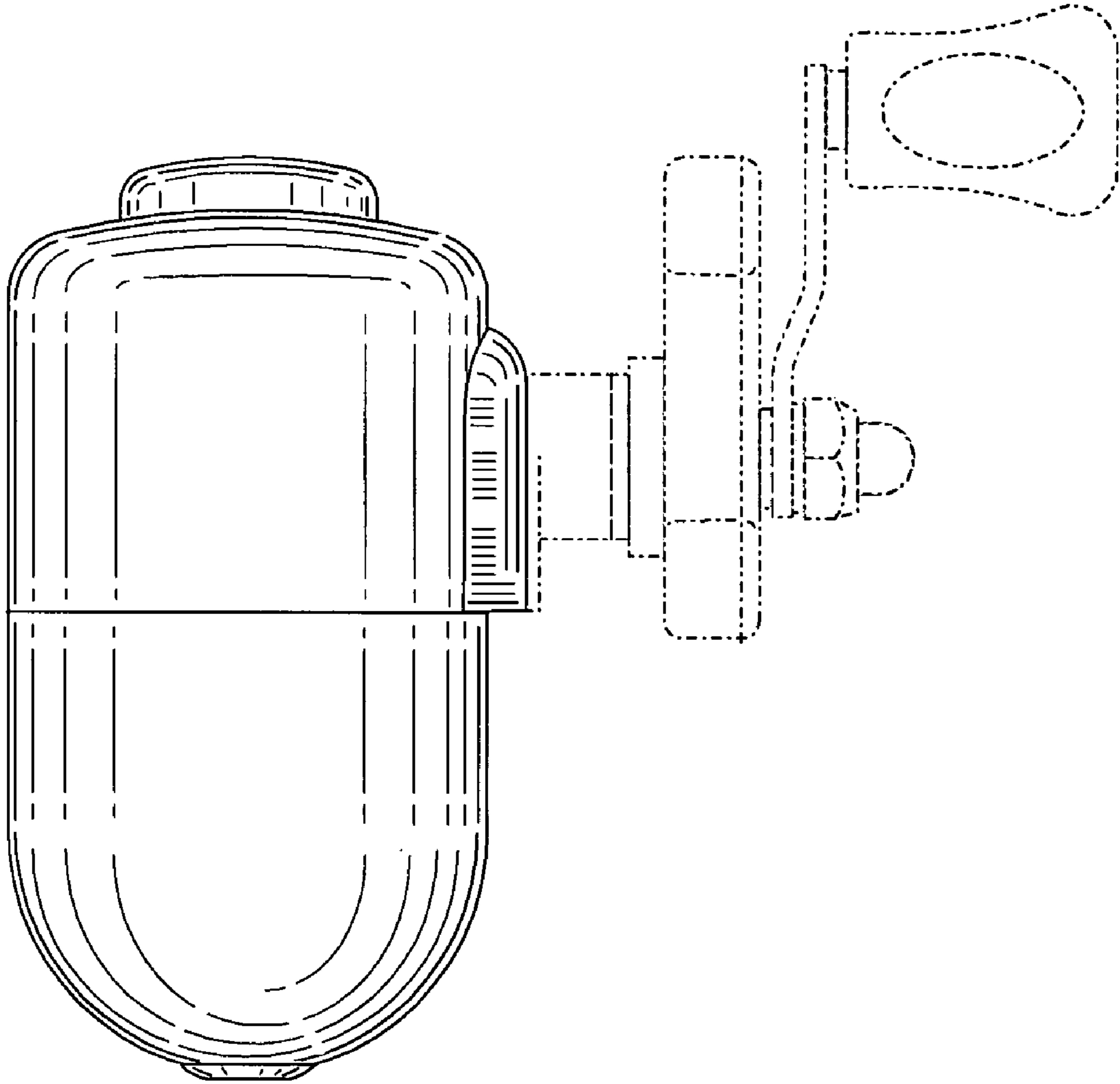


FIG. 6

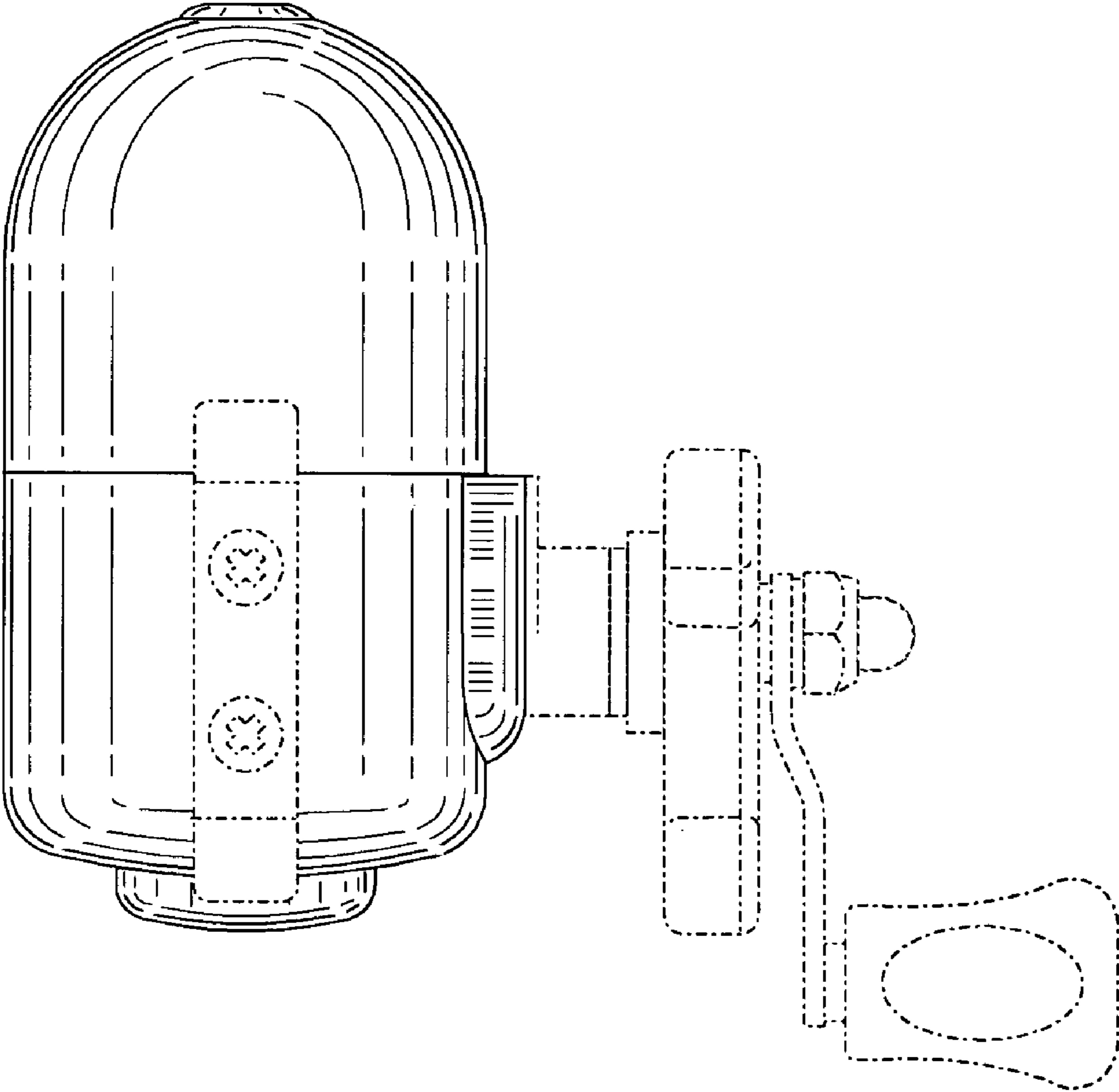


FIG. 7