



US00D573224S

(12) **United States Design Patent**
Rodriguez

(10) **Patent No.:** **US D573,224 S**

(45) **Date of Patent:** **** Jul. 15, 2008**

(54) **TRAP FOR RODENTS**

(76) Inventor: **Jose Rodriguez**, 1716 N. 39th Ave.,
Basement, Stone Park, IL (US) 60165

(**) Term: **14 Years**

(21) Appl. No.: **29/289,624**

(22) Filed: **Jul. 25, 2007**

(51) **LOC (8) Cl.** **22-05**

(52) **U.S. Cl.** **D22/119**

(58) **Field of Classification Search** D22/119–124;
43/58, 60, 112–113, 124, 131, 132.1; D30/121;
119/72; D7/507, 509, 510–511, 396.3, 538;
D24/197

See application file for complete search history.

(56) **References Cited**

U.S. PATENT DOCUMENTS

1,115,695	A	11/1914	Leyson	
1,185,452	A	5/1916	Tucker	
1,258,960	A	3/1918	Swain	
1,538,707	A	5/1925	Krause	
1,616,882	A	2/1927	Abramson	
1,635,224	A	7/1927	Rowley	
1,864,664	A	6/1932	Muhleisen	
2,122,147	A	6/1938	Lamp	
2,234,983	A	3/1941	Russell	
2,433,919	A	1/1948	Mitchell	
2,706,361	A	4/1955	Peterson	
2,766,550	A	10/1956	Johnson	
4,372,074	A	2/1983	Arrabit	
4,388,775	A	6/1983	Wright	
4,845,887	A	7/1989	Snyder	
D360,251	S *	7/1995	Russell	D22/119
D456,873	S *	5/2002	Groom	D22/119
D503,963	S *	4/2005	Moore, Jr.	D22/119

* cited by examiner

Primary Examiner—Catherine R Oliver
(74) *Attorney, Agent, or Firm*—Welsh & Katz, Ltd.

(57) **CLAIM**

The ornamental design for a trap for rodents, as shown and described.

DESCRIPTION

FIG. 1 is a perspective view;
 FIG. 2 is a top view thereof;
 FIG. 3 is an front elevational view thereof;
 FIG. 4 is a side elevational view thereof;
 FIG. 5 is a bottom view thereof;
 FIG. 6 is a rear view thereof;
 FIG. 7 is a perspective view thereof with the lid removed;
 FIG. 8 is a perspective view of an alternate embodiment thereof;
 FIG. 9 is a top view of an alternate embodiment thereof;
 FIG. 10 is a side elevational view of an alternate embodiment thereof;
 FIG. 11 is a bottom view of an alternate embodiment thereof;
 FIG. 12 is a front elevational view of an alternate embodiment thereof; and,
 FIG. 13 is a perspective view of an alternate embodiment thereof with the lid removed.

The broken line showing of environment in FIGS. 7 and 13 is included for the purpose of illustrating only and forms no part of the claimed design.

1 Claim, 4 Drawing Sheets

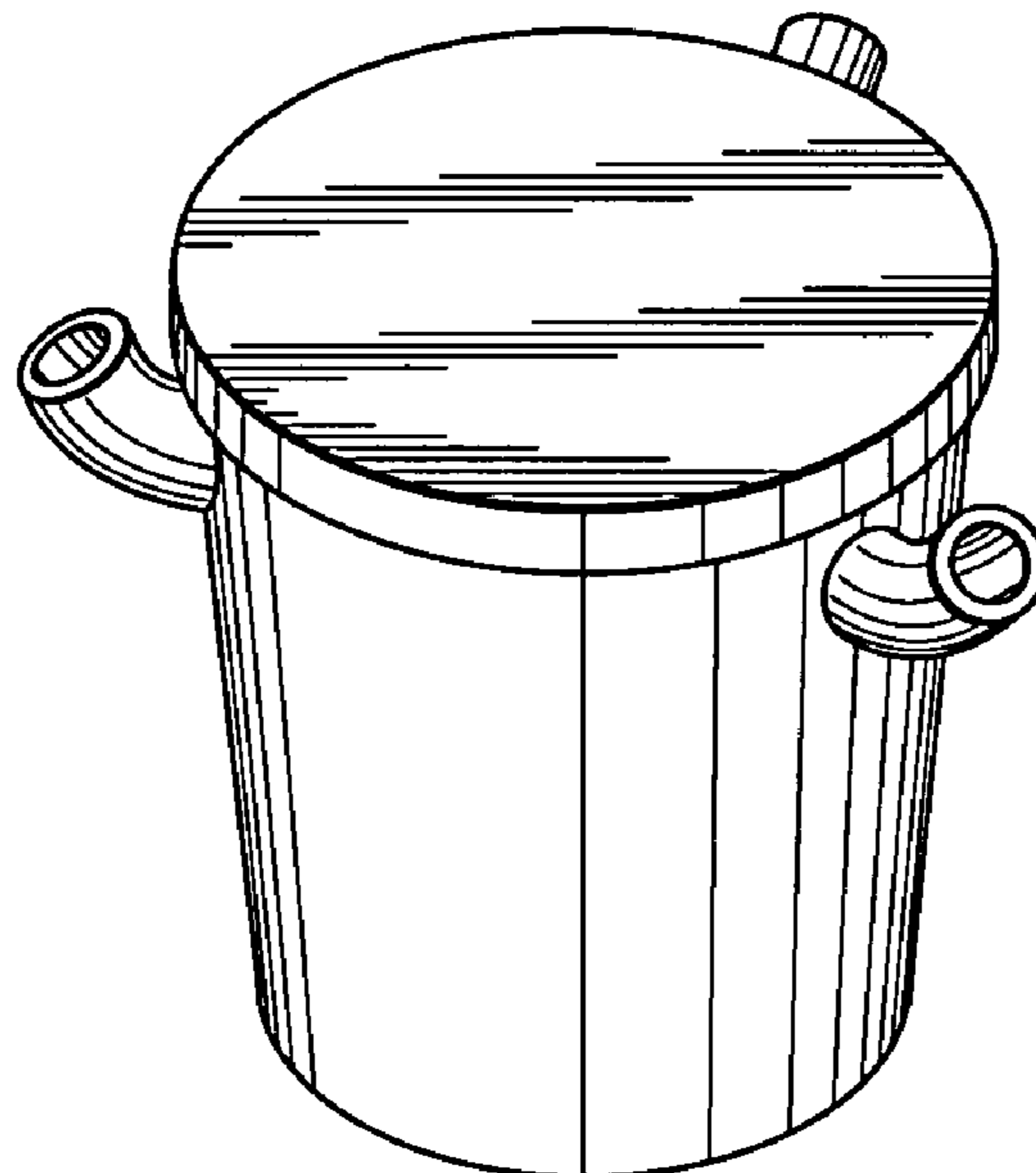


Fig.1

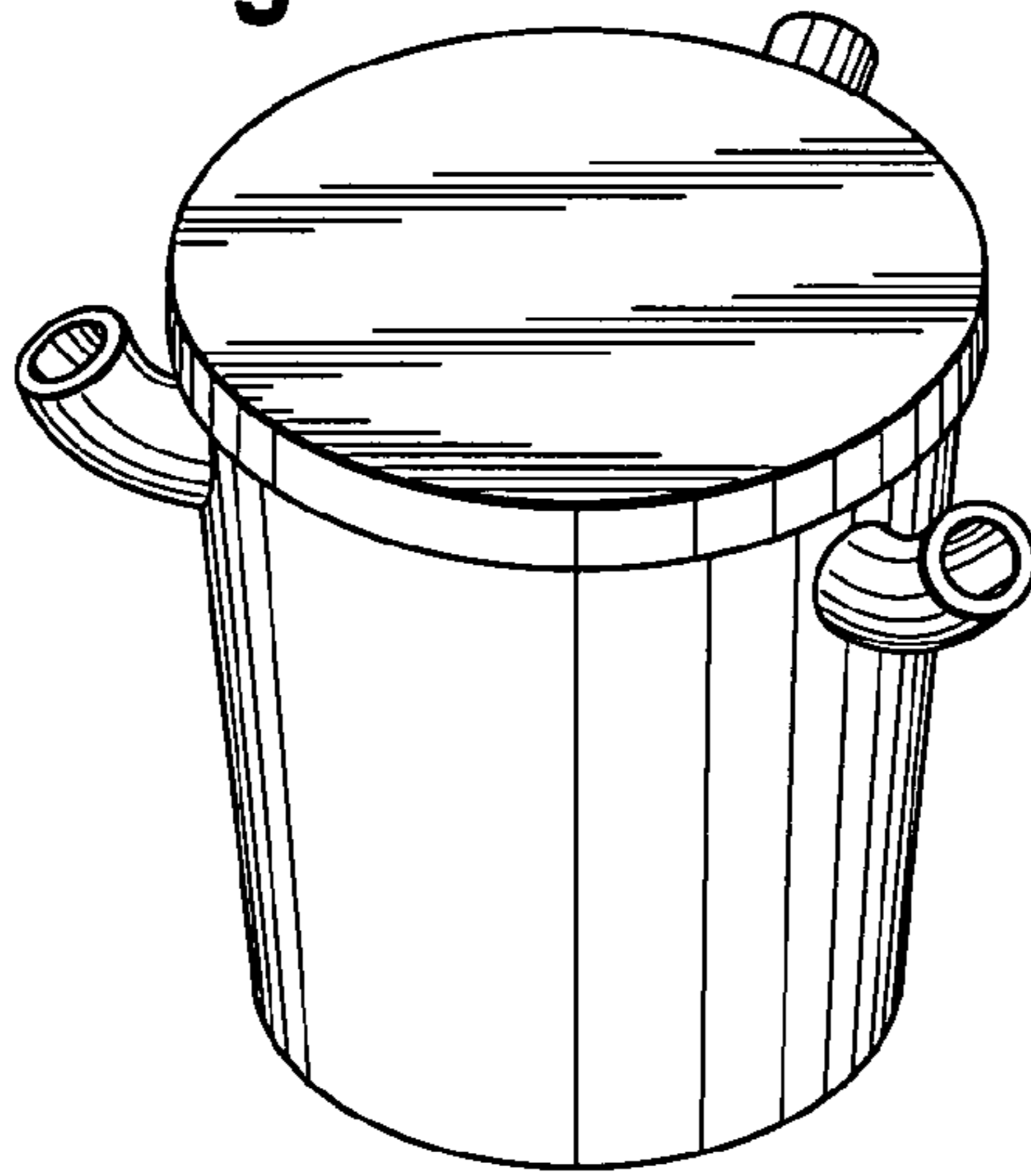


Fig.2

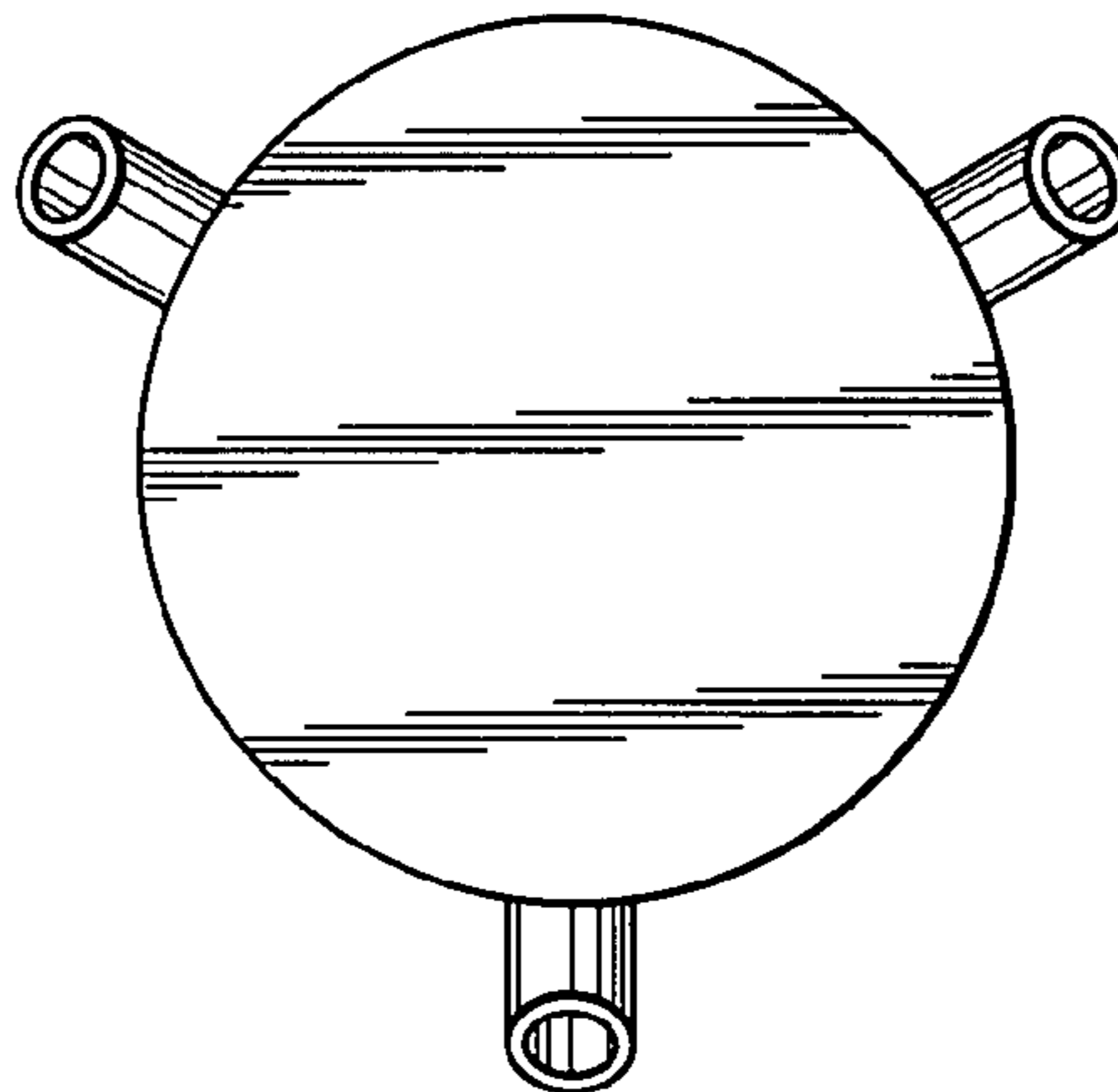


Fig.3

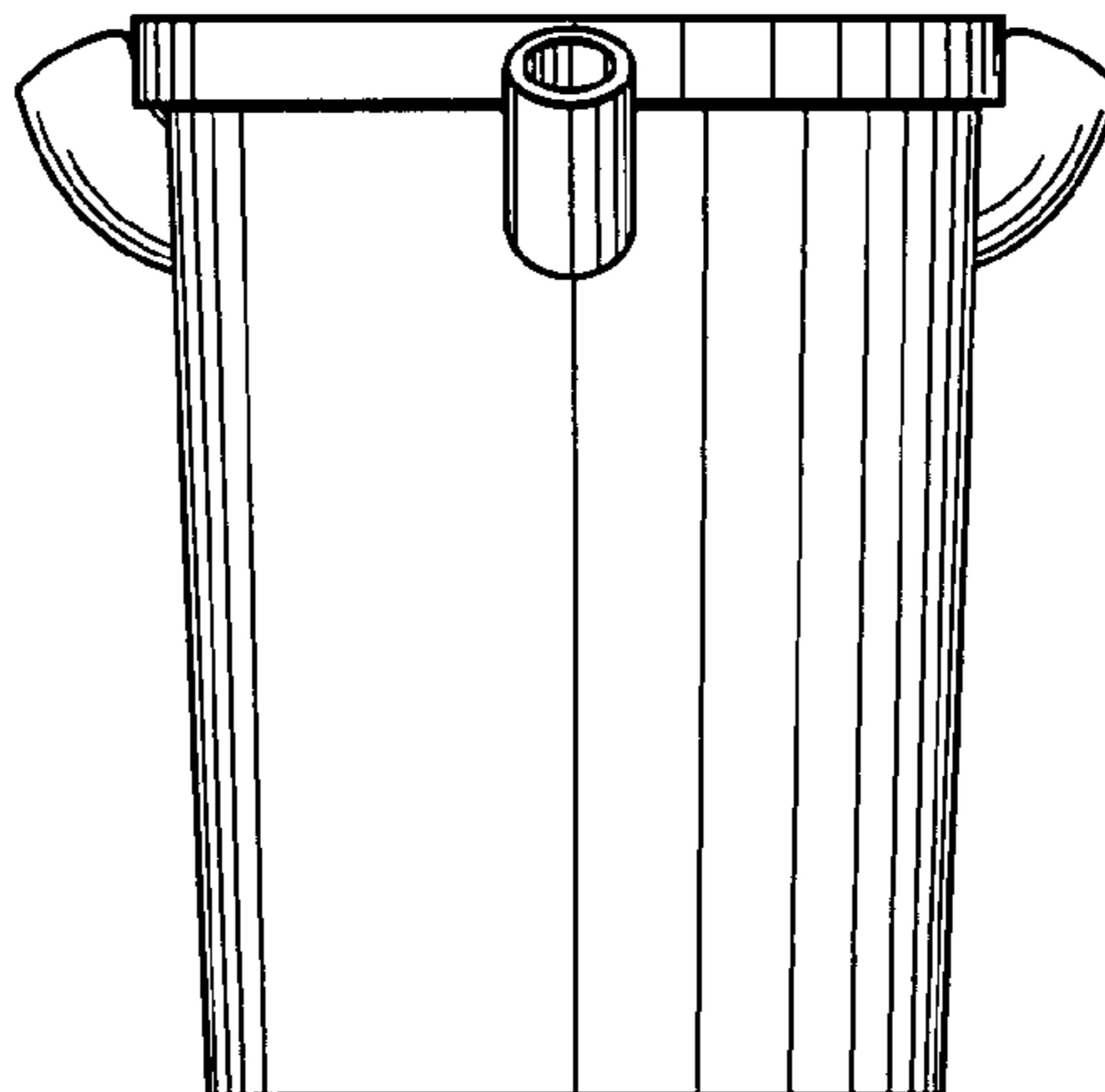


Fig.4

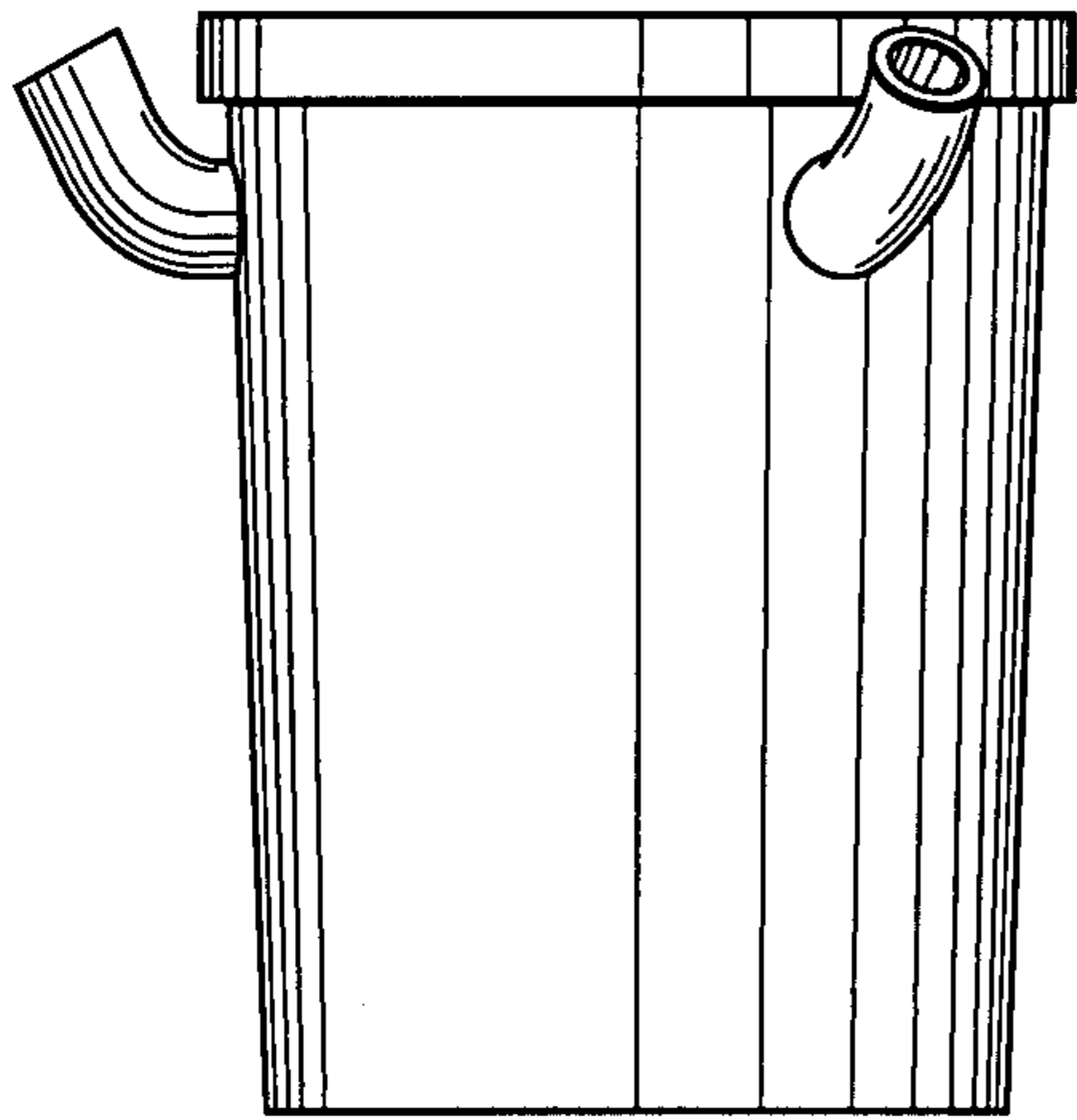


Fig.7

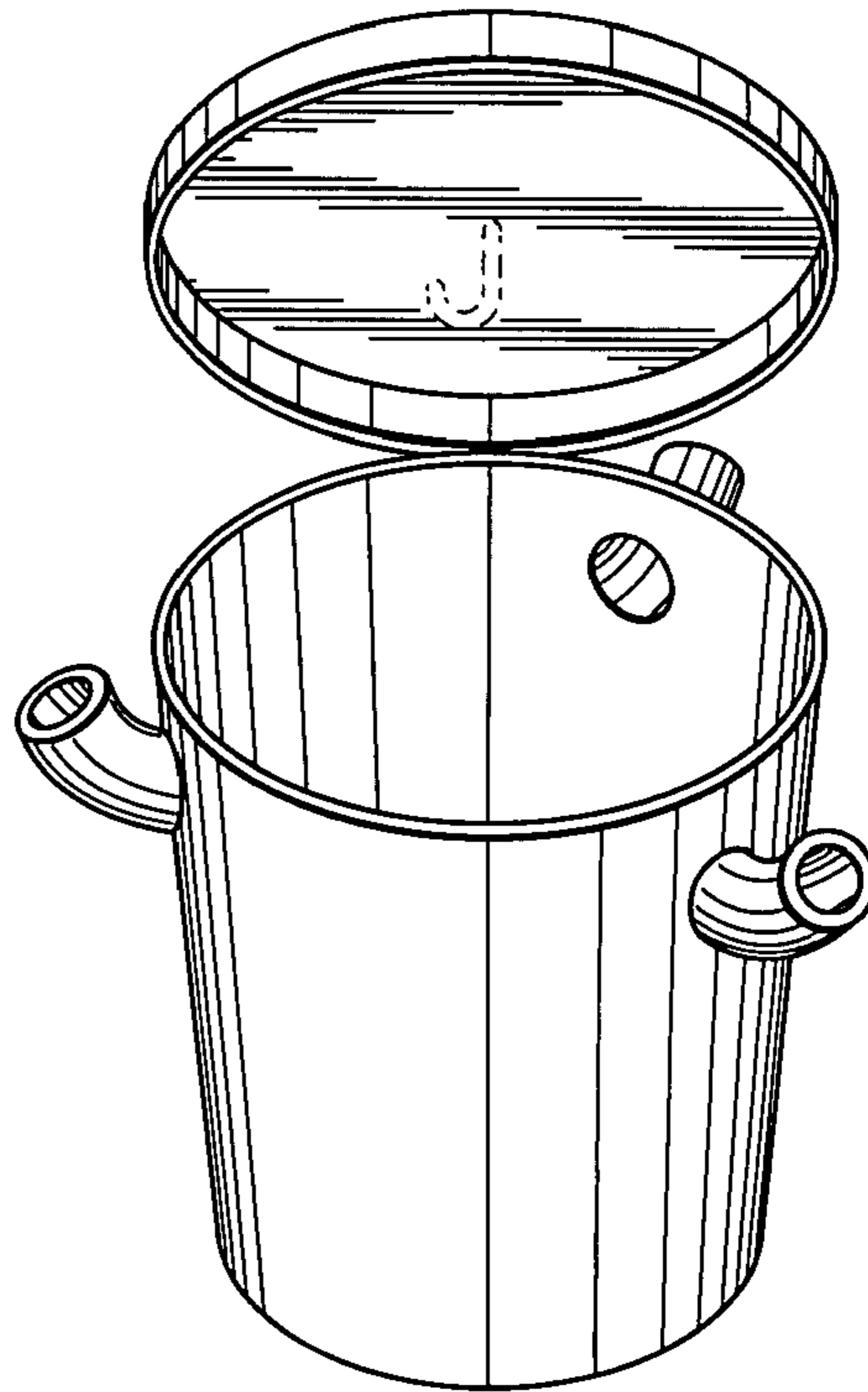


Fig.5

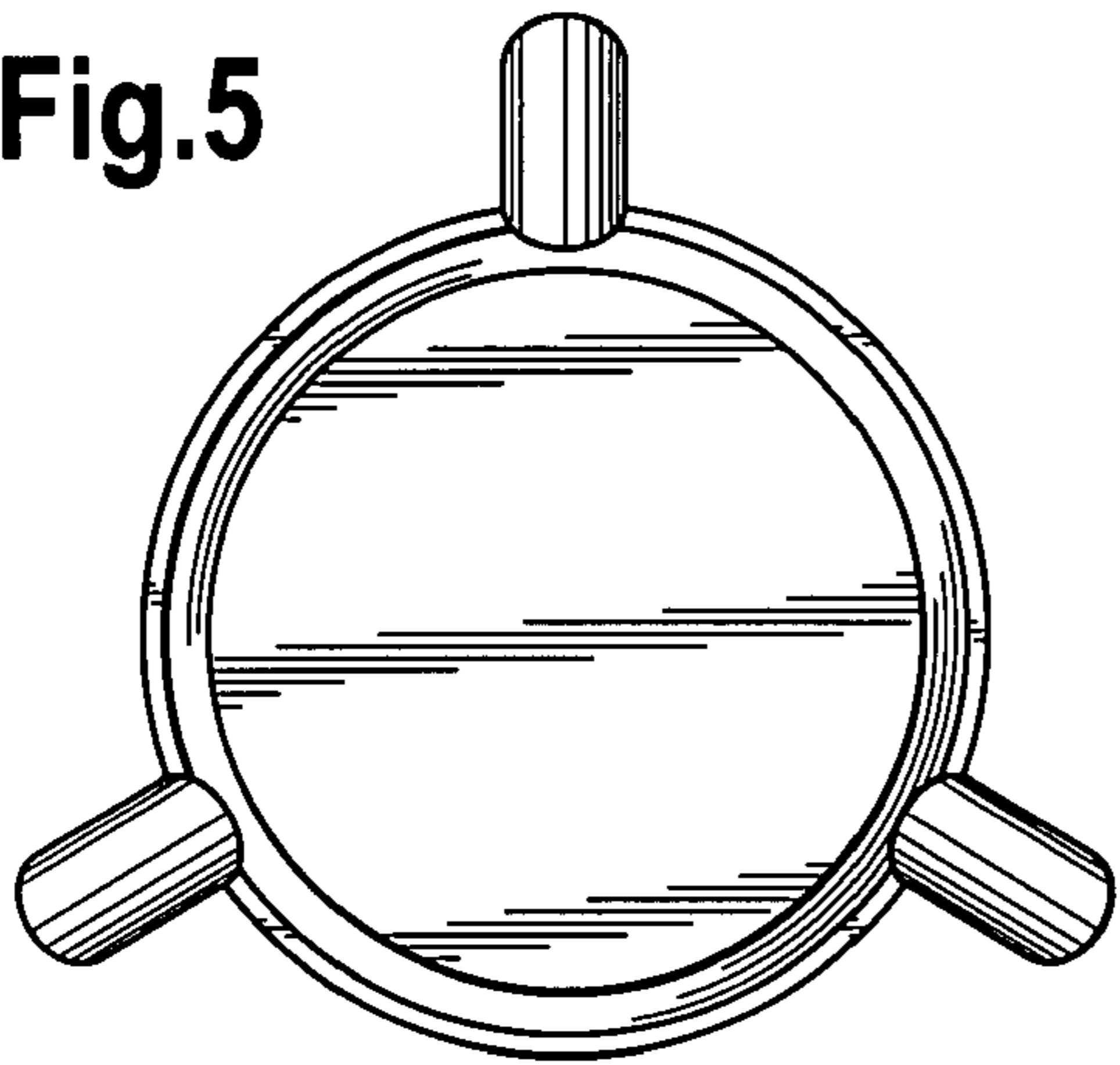


Fig.6

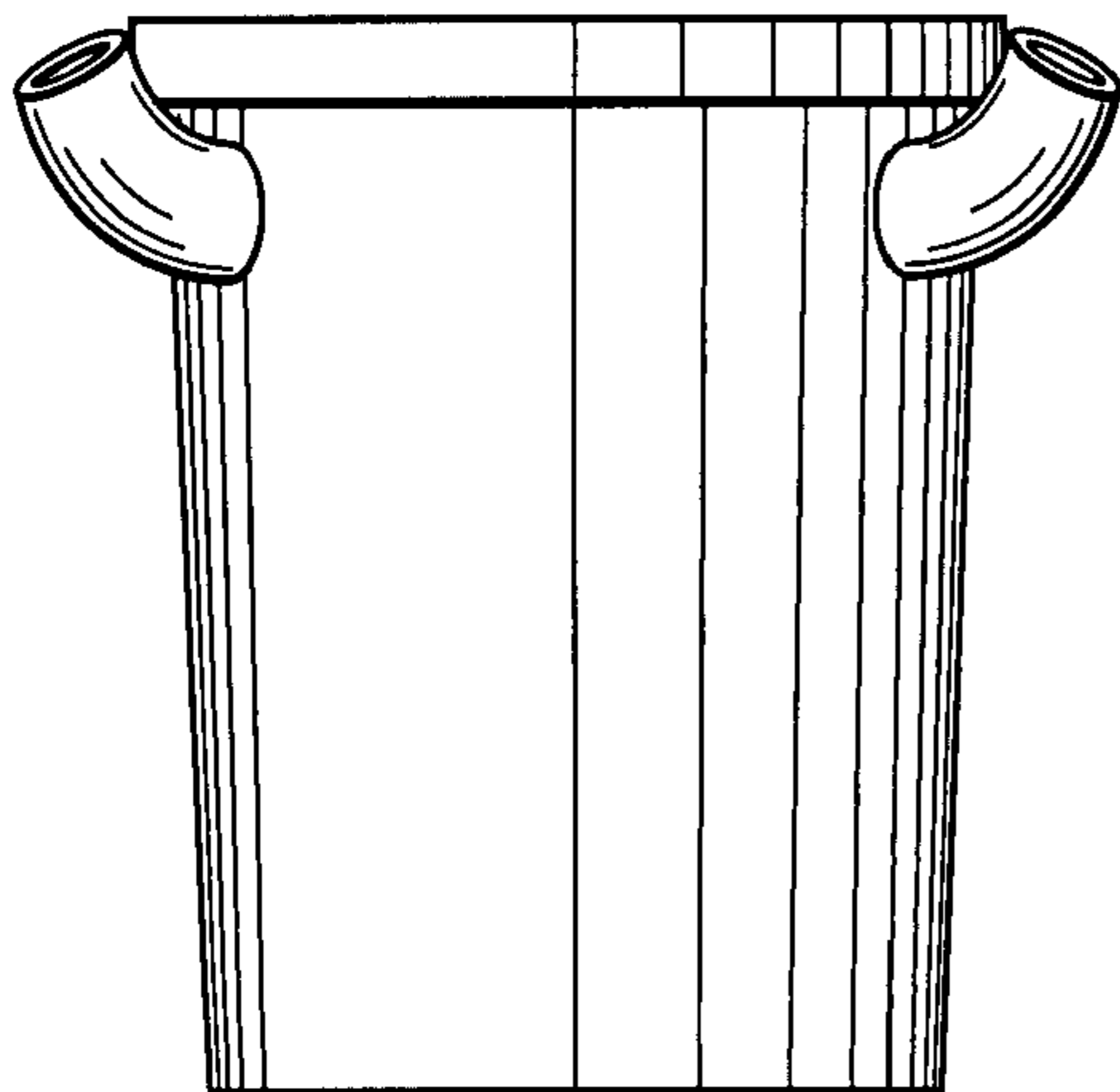


Fig.8

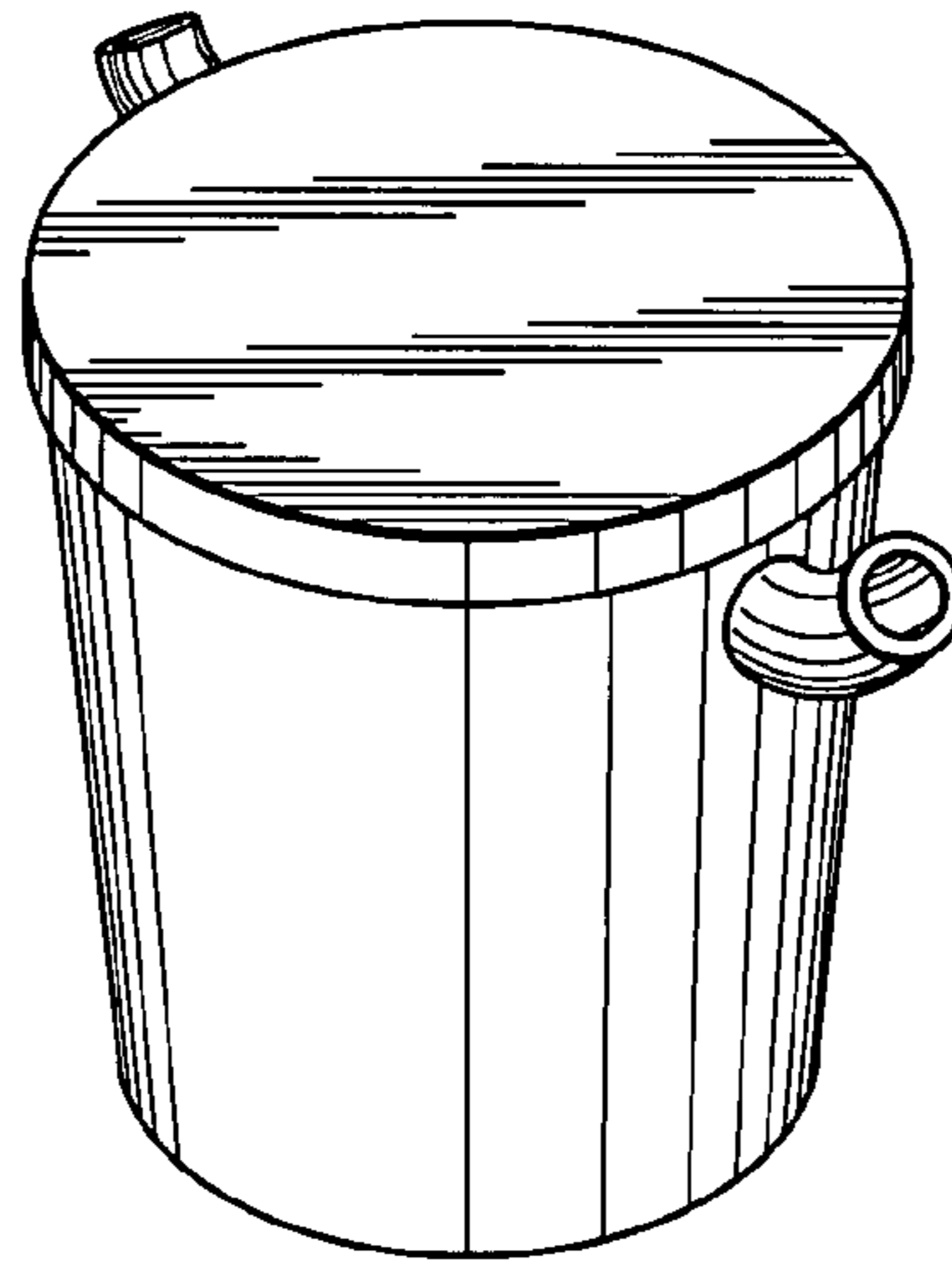


Fig.9

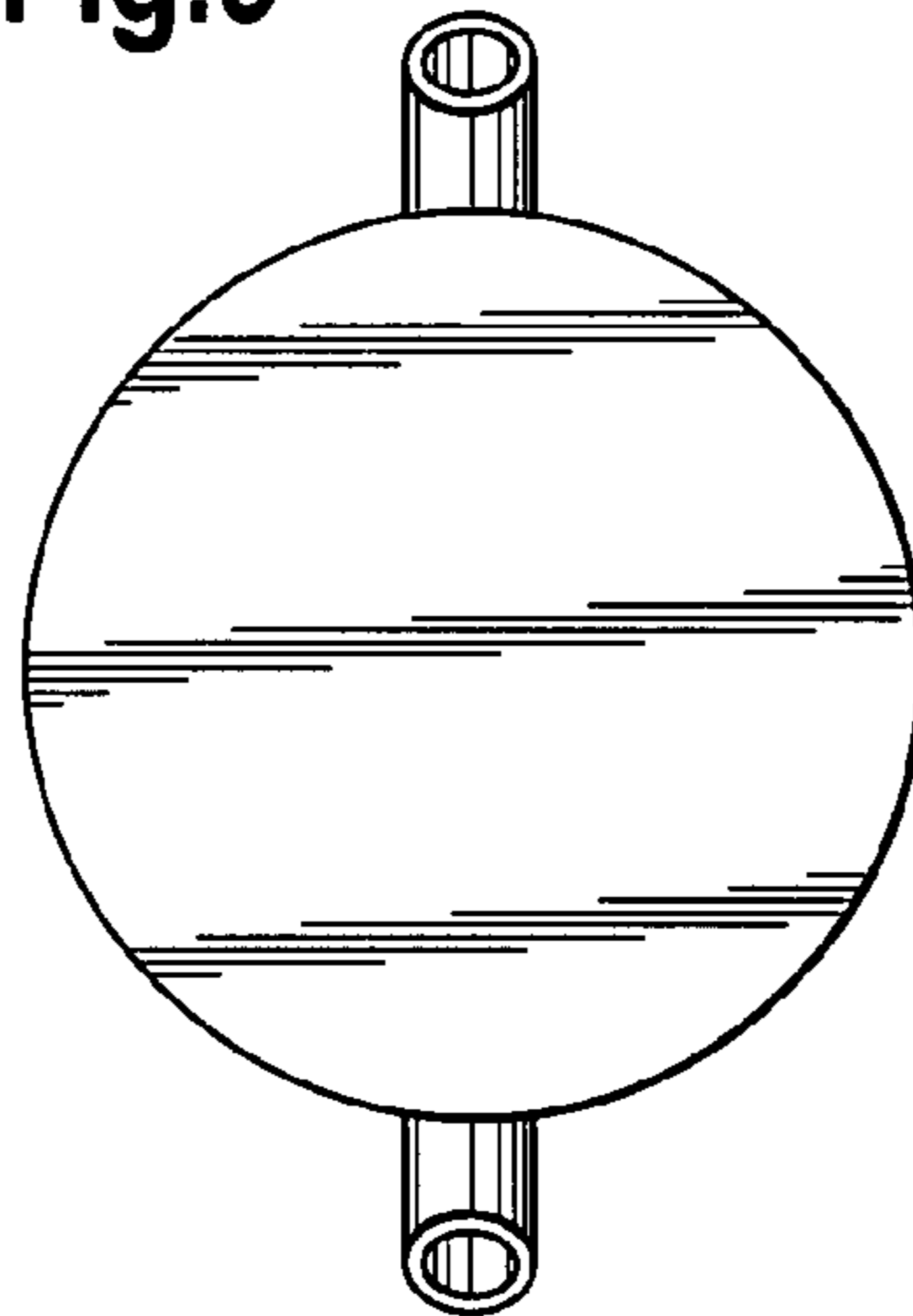


Fig.10

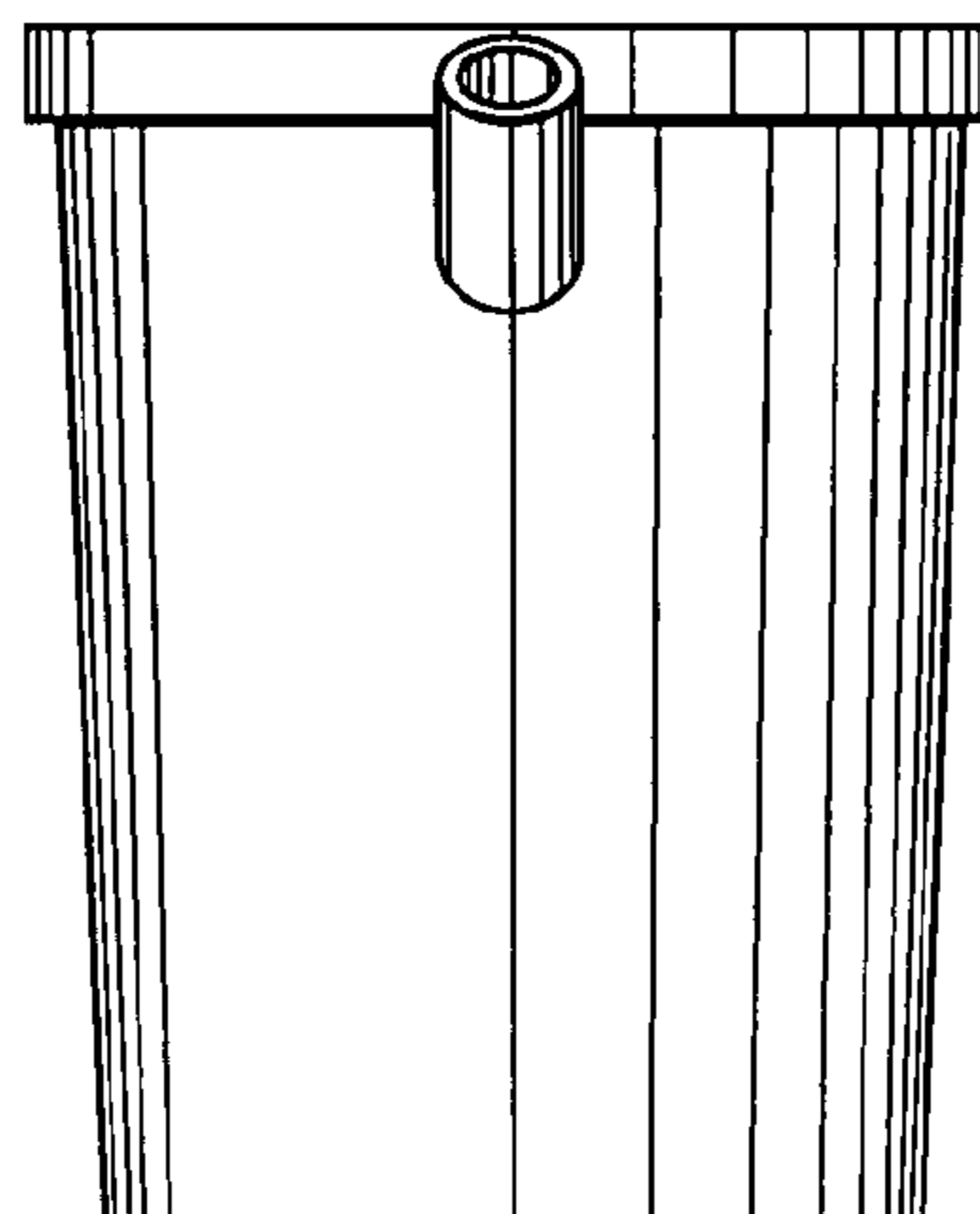


Fig.11

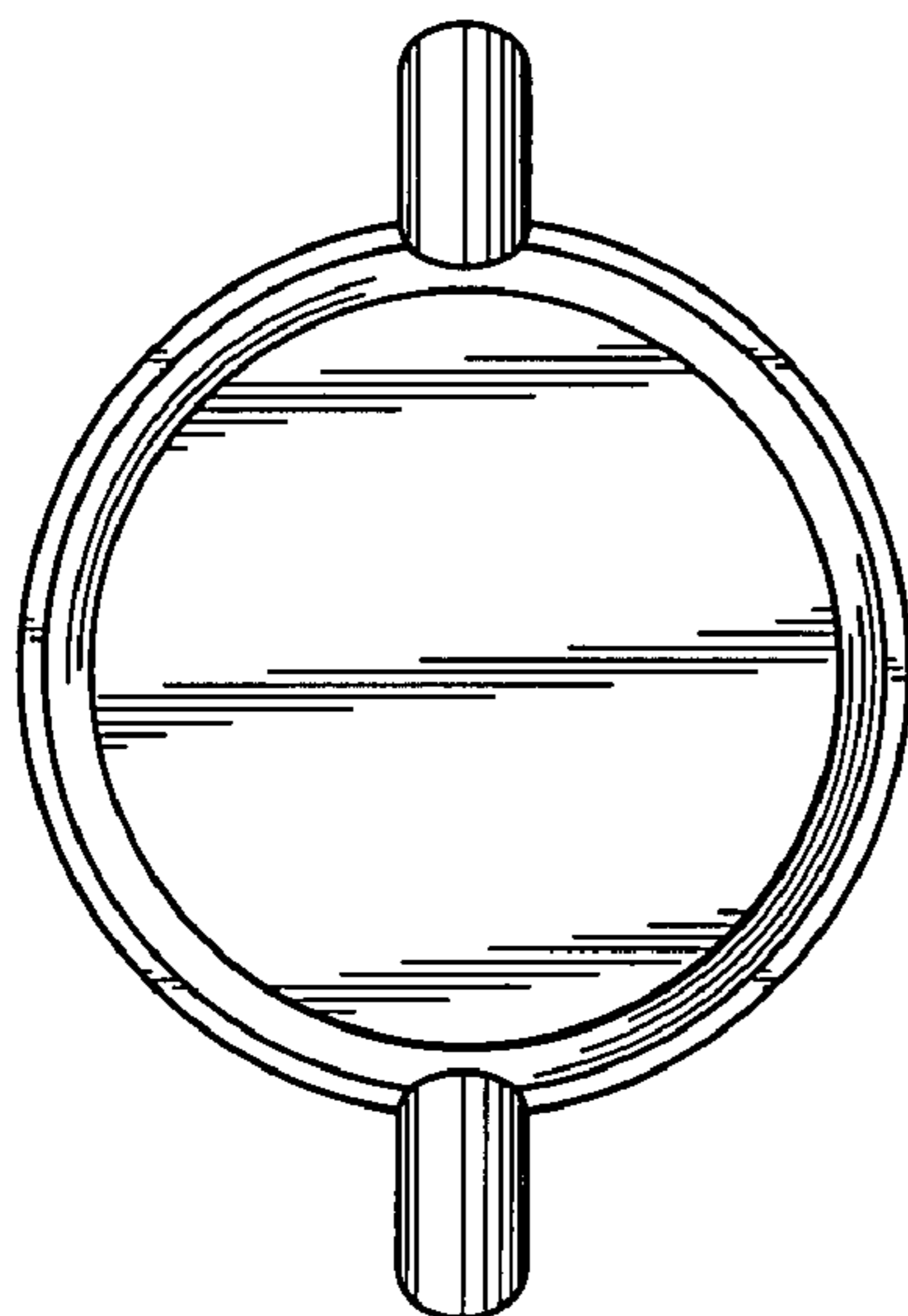


Fig.13

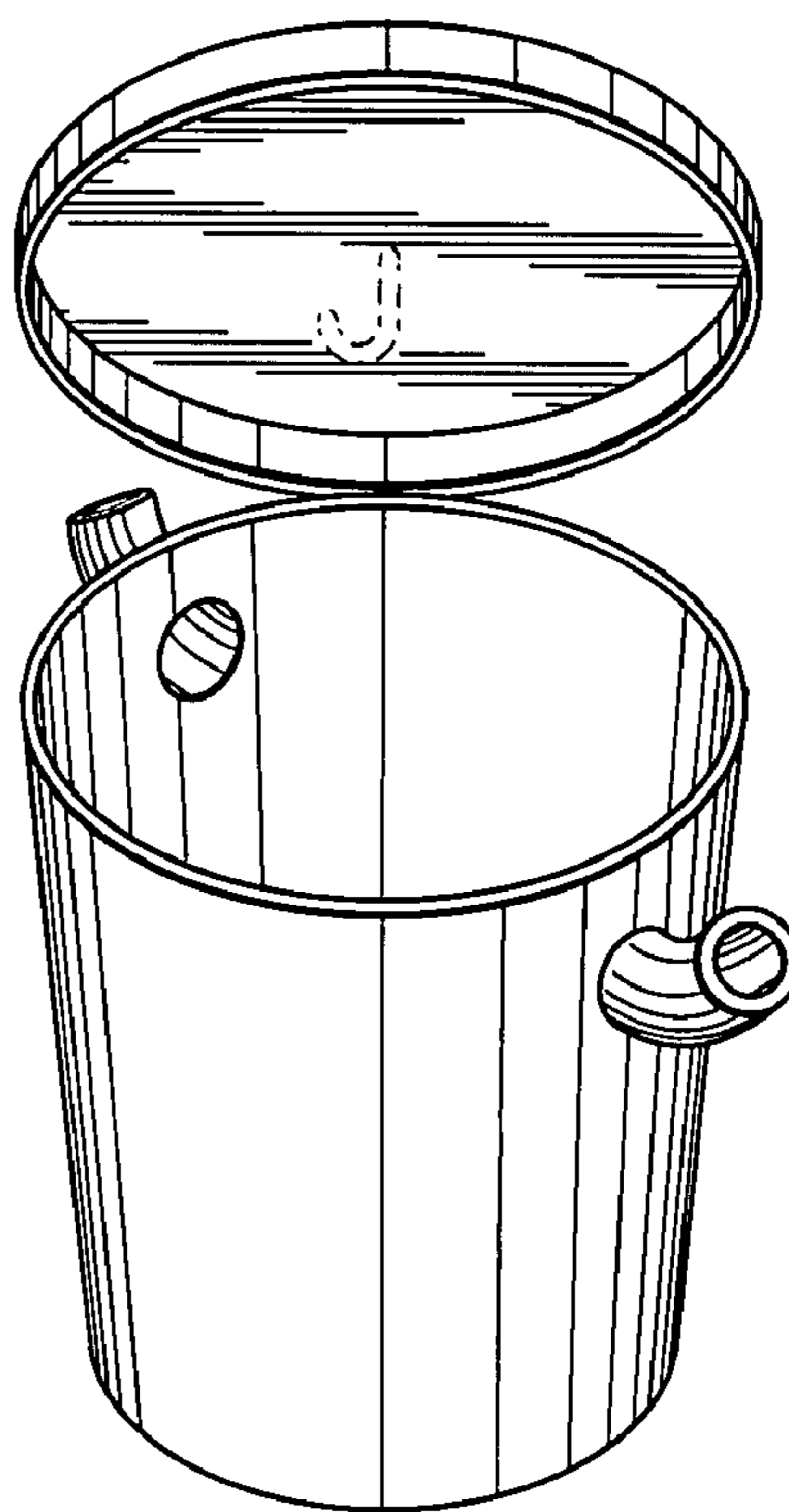


Fig.12

