



US00D573222S

(12) **United States Design Patent**  
**Huerta et al.**

(10) **Patent No.:** **US D573,222 S**  
(45) **Date of Patent:** **\*\* Jul. 15, 2008**

(54) **SLIDE**

2005/0161286 A1 7/2005 Nir

(75) Inventors: **Ernesto Huerta**, Mukwonago, WI (US);  
**Brian K. Zeilinger**, Janesville, WI (US)

FOREIGN PATENT DOCUMENTS

EP 0389152 9/1990  
EP 1402931 3/2004

(73) Assignee: **PlayStar, Inc.**, Janesville, WI (US)

OTHER PUBLICATIONS

(\*\*) Term: **14 Years**

Swing-N-Slide tube slide.  
Rainbow tube slide.  
Gametime tube slides.  
Gorilla Slide tube slide.  
PJ Funcrafters (Swing-N-Slide) tube slide.  
Summit Playground Components tube slide.  
Slides (unknown manufacturers).  
Playproviders tube slide.  
Banzai Pipeline water slide.

(21) Appl. No.: **29/277,419**

(22) Filed: **Feb. 26, 2007**

(51) **LOC (8) Cl.** ..... **21-03**

(52) **U.S. Cl.** ..... **D21/821**

(58) **Field of Classification Search** ..... D21/818-822;  
472/116-117; 482/35-36

\* cited by examiner

See application file for complete search history.

*Primary Examiner*—Mitchell I Siegel

(74) *Attorney, Agent, or Firm*—Michael Best & Friedrich LLP

(56) **References Cited**

U.S. PATENT DOCUMENTS

935,142 A 9/1909 Craine  
1,511,139 A 10/1924 Roziger  
1,754,375 A 4/1930 Sturges  
1,839,363 A 1/1932 Webster  
D250,784 S \* 1/1979 Dieter et al. .... D21/821  
D269,106 S 5/1983 Brown  
4,487,411 A 12/1984 Ahrens  
D330,744 S \* 11/1992 Matsch ..... D21/821  
D344,317 S \* 2/1994 Petersheim ..... D21/821  
5,433,671 A 7/1995 Davis  
D372,065 S \* 7/1996 Gilles ..... D21/821  
5,711,744 A 1/1998 Strawcutter et al.  
D429,788 S \* 8/2000 Sutton et al. .... D21/818  
6,102,762 A 8/2000 Bell et al.  
D438,280 S 2/2001 Robertson et al.  
6,361,445 B1 3/2002 Zeilinger  
6,482,095 B2 11/2002 Zeilinger  
D524,895 S \* 7/2006 VanDeusen et al. .... D21/820  
7,077,191 B2 7/2006 Merkle  
2004/0194911 A1 10/2004 Merkle

(57) **CLAIM**

We claim the ornamental design for a slide, as shown and described.

**DESCRIPTION**

FIG. 1 is a front perspective view, taken from the left side, of a slide embodying the present invention.

FIG. 2 is a front view of the slide.

FIG. 3 is a rear view of the slide.

FIG. 4 is a right-side view of the slide.

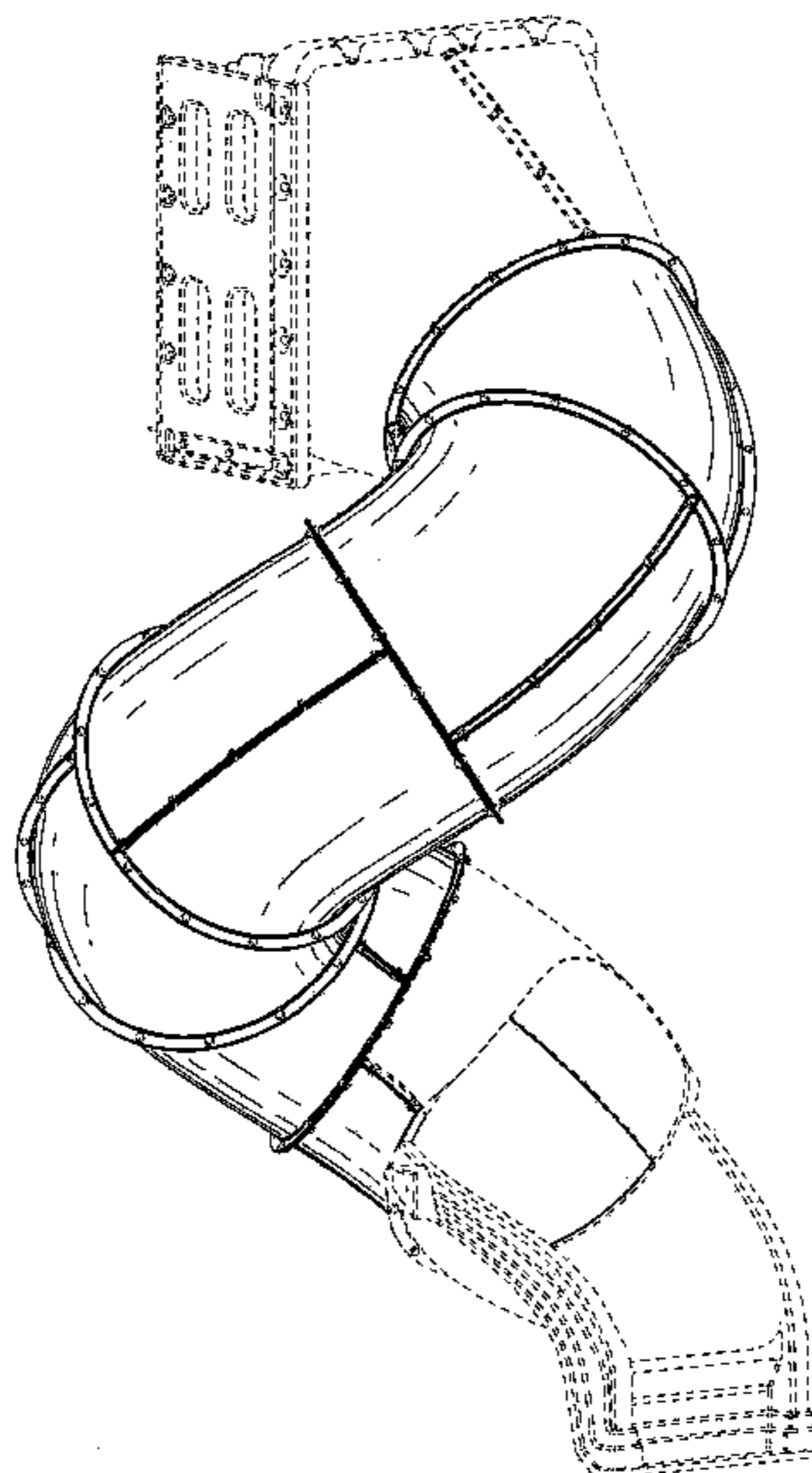
FIG. 5 is a left-side view of the slide.

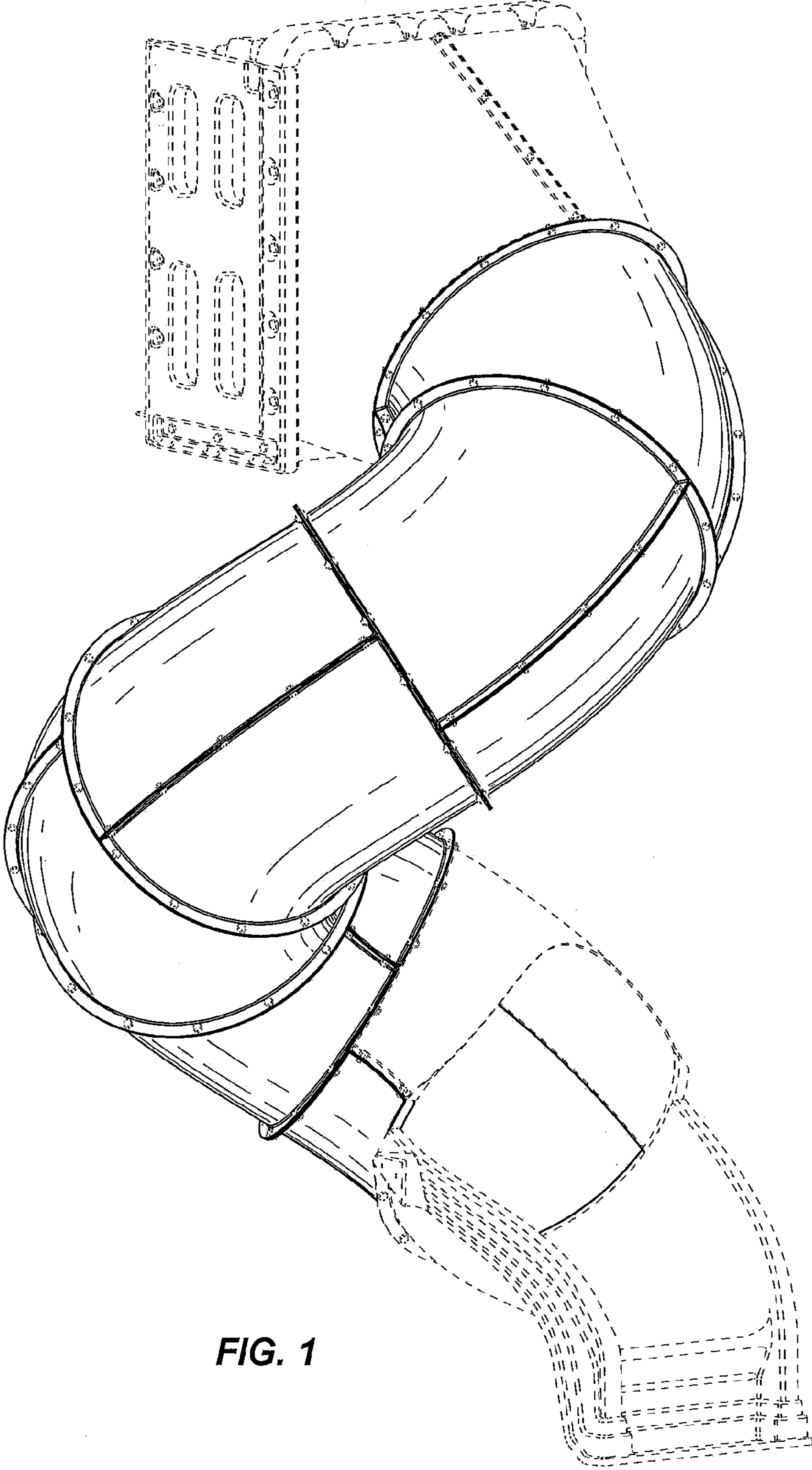
FIG. 6 is a top view of the slide; and,

FIG. 7 is a bottom view of the slide.

The portions of the slide shown in broken lines are for illustrative purposes only and form no part of the claimed design.

**1 Claim, 7 Drawing Sheets**





**FIG. 1**

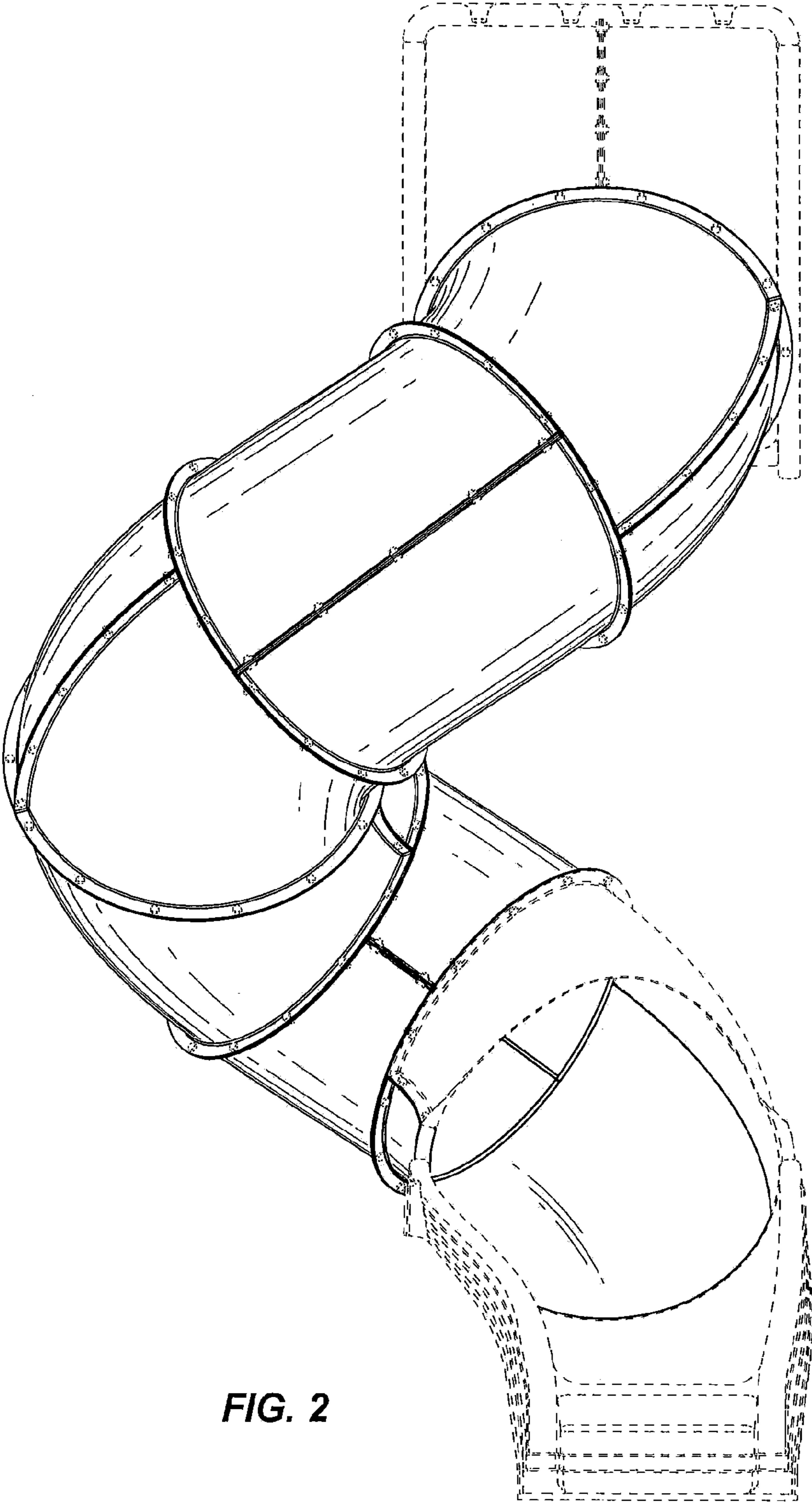


FIG. 2

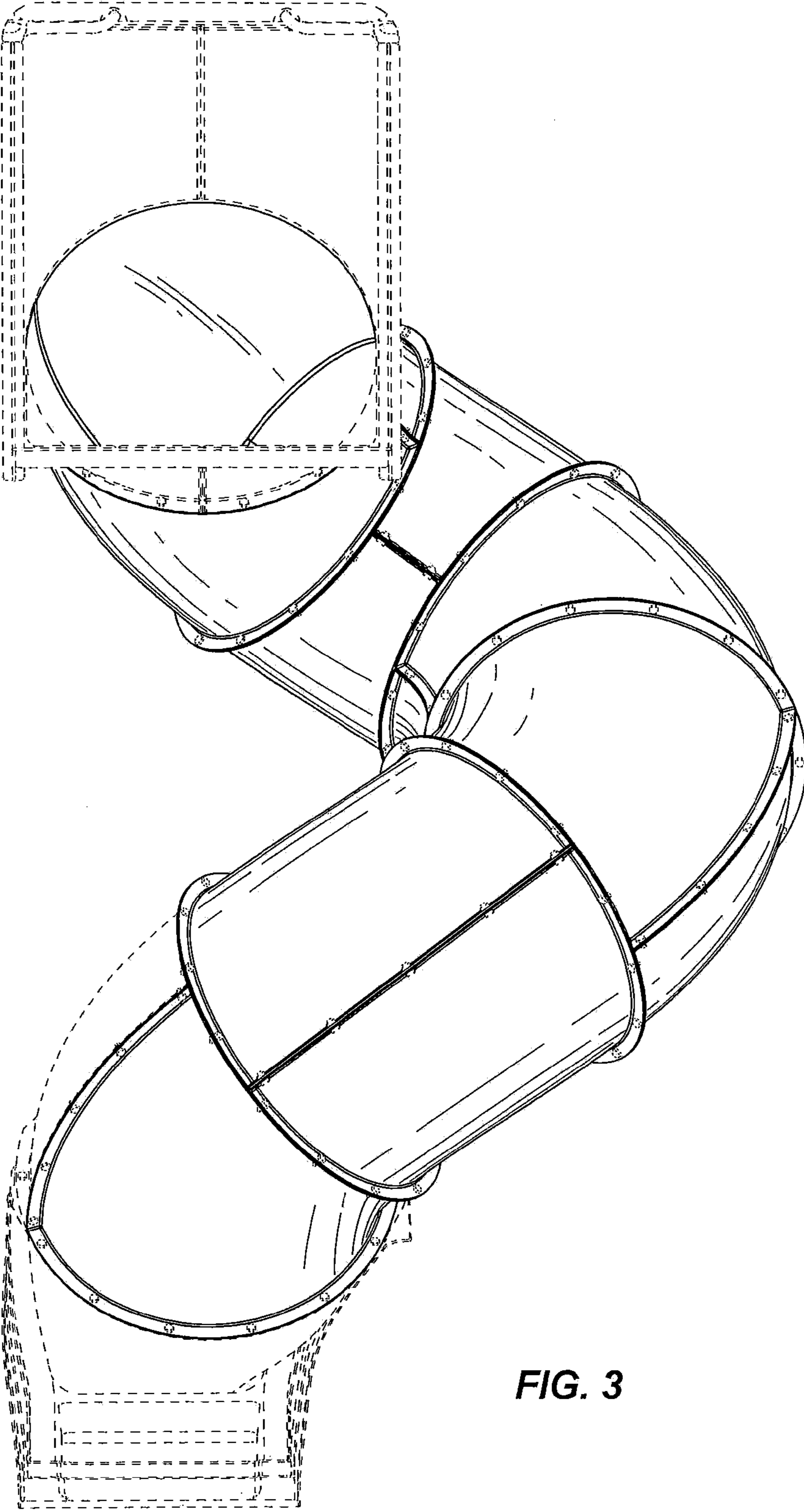


FIG. 3

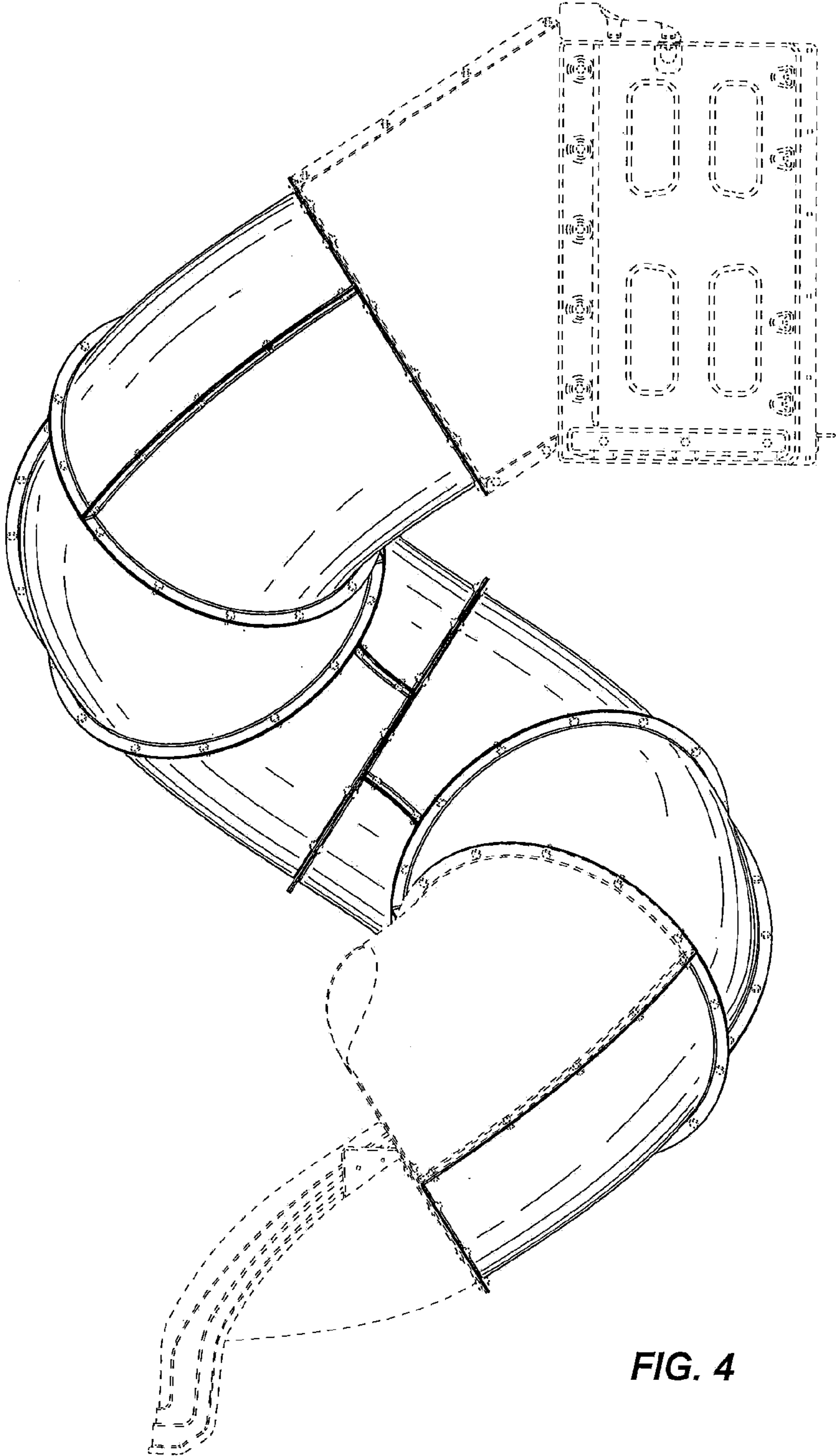
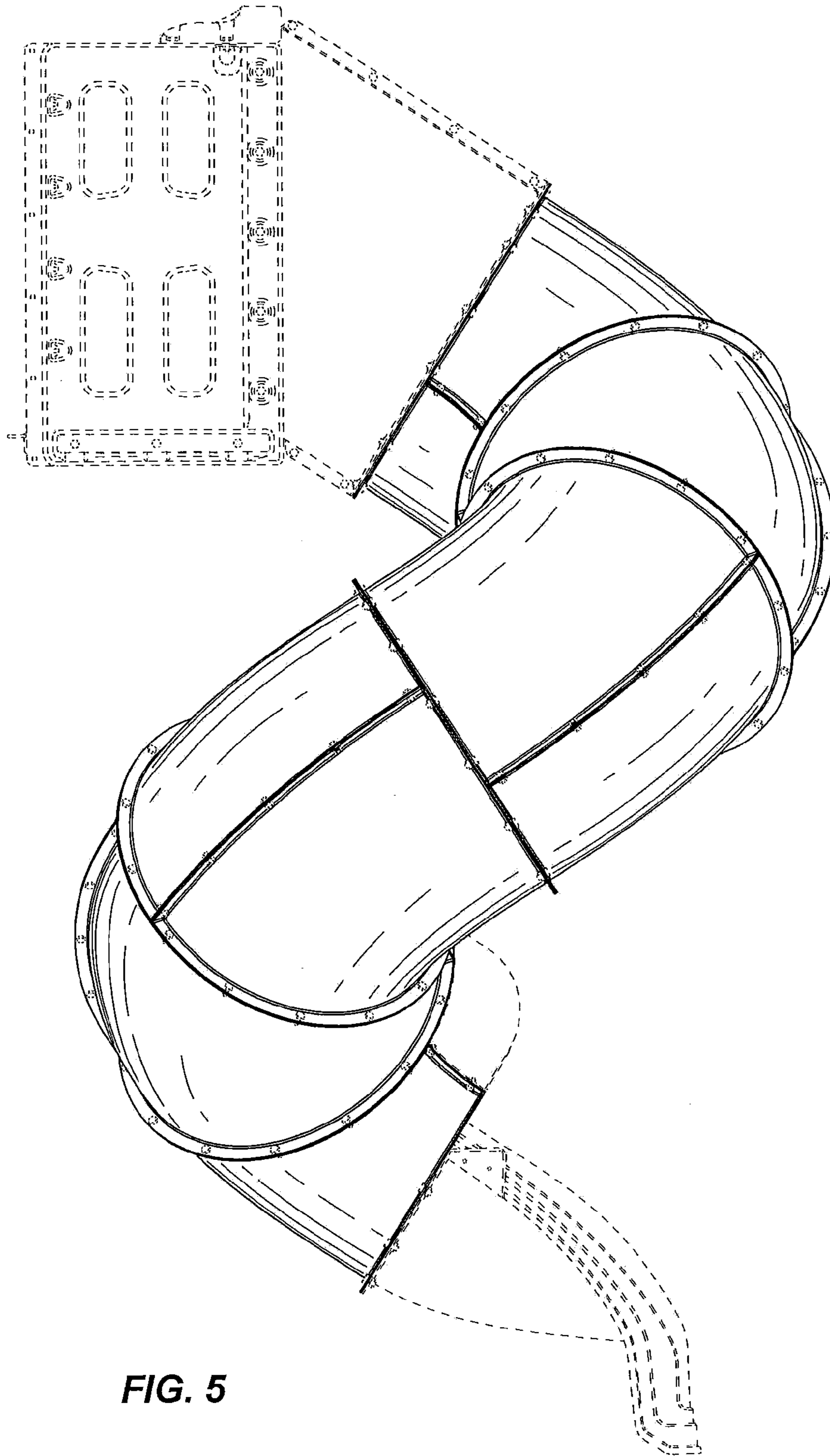


FIG. 4



**FIG. 5**

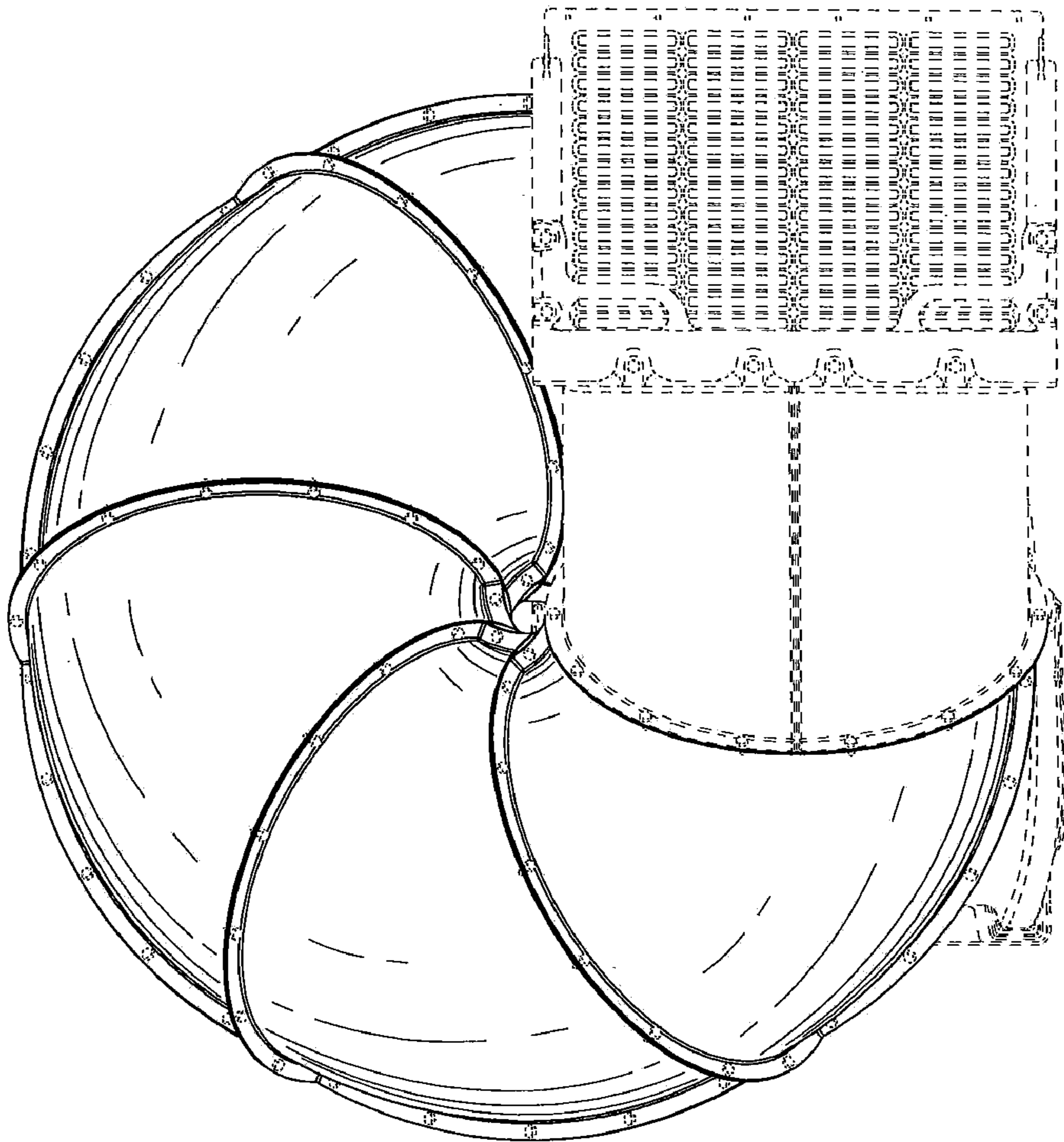


FIG. 6

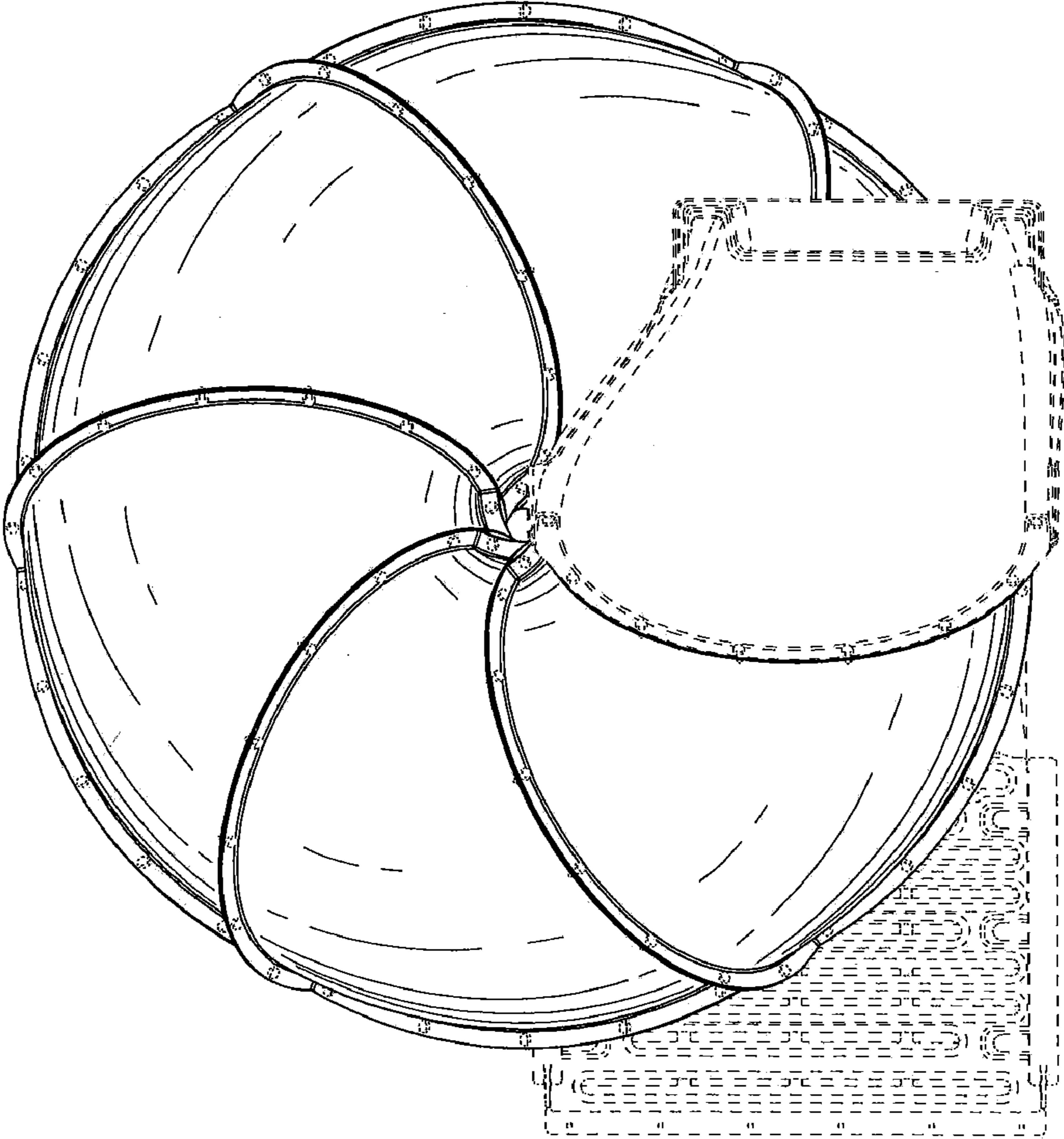


FIG. 7