



US00D573217S

(12) **United States Design Patent**
Sanchez et al.

(10) **Patent No.:** **US D573,217 S**
(45) **Date of Patent:** **** Jul. 15, 2008**

(54) **GOLF CLUB HEAD**

(75) Inventors: **Richard R. Sanchez**, New River, AZ
(US); **Xiaojian Chen**, Phoenix, AZ
(US); **Frank A. Quartarone**, Phoenix,
AZ (US)

(73) Assignee: **Karsten Manufacturing Corporation**,
Phoenix, AZ (US)

(**) Term: **14 Years**

(21) Appl. No.: **29/281,336**

(22) Filed: **Jun. 20, 2007**

(51) **LOC (8) Cl.** **21-02**

(52) **U.S. Cl.** **D21/759**

(58) **Field of Classification Search** D21/733,
D21/752, 759; 473/324–331, 343–346
See application file for complete search history.

(56) **References Cited**

U.S. PATENT DOCUMENTS

D482,089 S	*	11/2003	Burrows	D21/752
D482,420 S	*	11/2003	Burrows	D21/752
D484,208 S	*	12/2003	Burrows	D21/752
D501,036 S	*	1/2005	Burrows	D21/752
D514,179 S	*	1/2006	Chen et al.	D21/733
D522,077 S	*	5/2006	Schweigert et al.	D21/752
D522,597 S		6/2006	Sanchez		
D522,601 S	*	6/2006	Schweigert et al.	D21/752
D523,498 S	*	6/2006	Chen et al.	D21/733
D526,694 S		8/2006	Schweigert et al.		
D532,473 S	*	11/2006	Chen et al.	D21/759
D535,343 S		1/2007	Chen et al.		
D537,495 S	*	2/2007	Schweigert et al.	D21/752
D537,496 S		2/2007	Serrano et al.		
D538,363 S		3/2007	Schweigert et al.		
D539,371 S		3/2007	Chen et al.		

D552,198 S	*	10/2007	Schweigert et al.	D21/752
D557,363 S	*	12/2007	Jertson et al.	D21/752
D558,287 S	*	12/2007	Jertson et al.	D21/752
D558,288 S	*	12/2007	Jertson et al.	D21/752
D561,284 S	*	2/2008	Nagai et al.	D21/759
D561,859 S	*	2/2008	Haralson et al.	D21/759
D562,421 S	*	2/2008	Jertson et al.	D21/752
D562,422 S	*	2/2008	Roberts et al.	D21/759
D562,926 S	*	2/2008	Roberts et al.	D21/759
D564,055 S	*	3/2008	Jertson et al.	D21/752
D564,056 S	*	3/2008	Chen et al.	D21/759
D564,611 S	*	3/2008	Llewellyn et al.	D21/759

OTHER PUBLICATIONS

Bradley D. Schweigert, et al., "Golf Driver Head," U.S. Appl. No. 29/239,853, filed Oct. 4, 2005.

(Continued)

Primary Examiner—Mitchell I Siegel

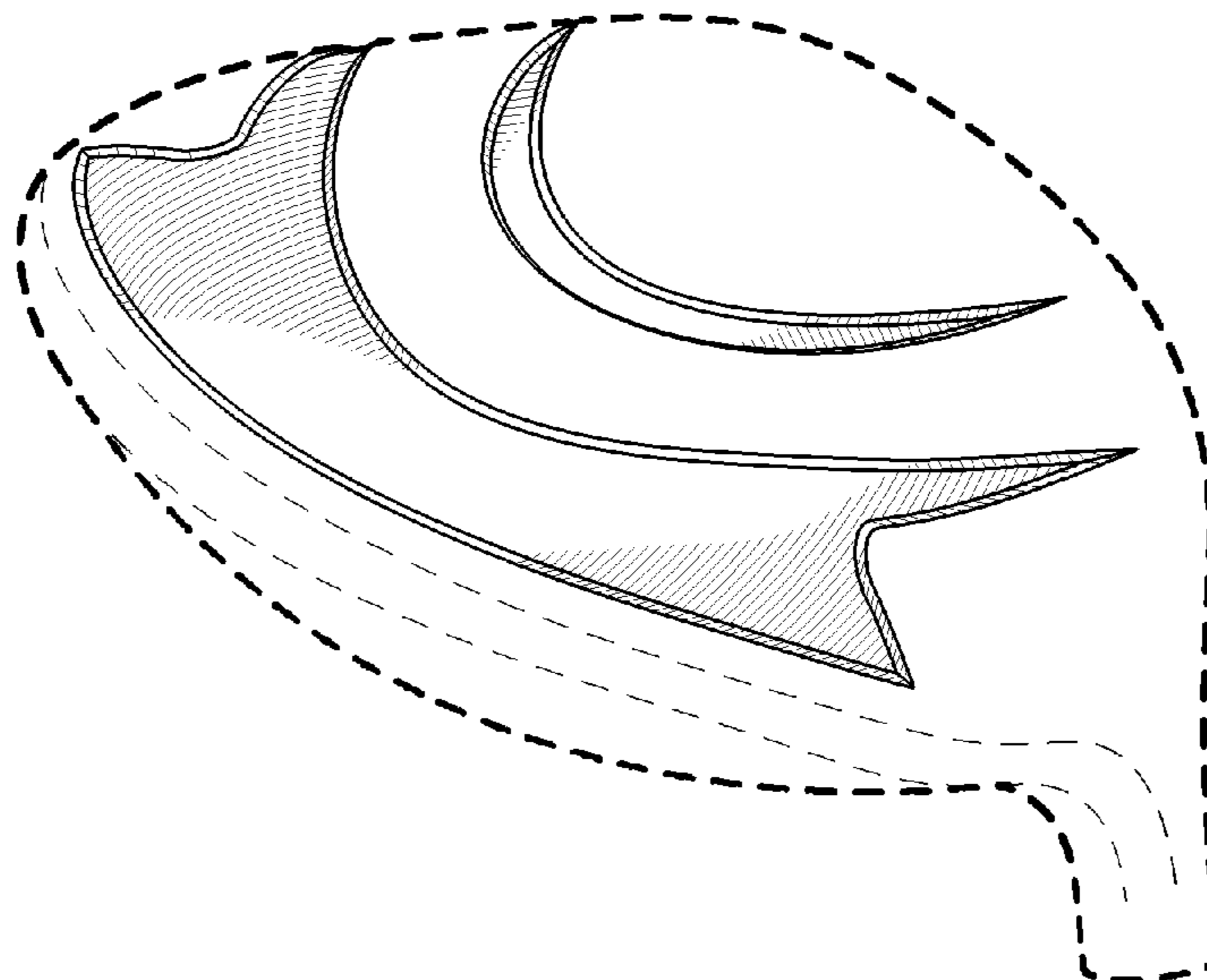
(57) **CLAIM**

The ornamental design of a golf club head, as shown and described.

DESCRIPTION

FIG. 1 is a bottom perspective view of a golf club head;
FIG. 2 is a plan view of FIG. 1;
FIG. 3 is a bottom perspective view of a second embodiment of the golf club head of FIG. 1; and,
FIG. 4 is a plan view of FIG. 3.
The broken lines shown in FIGS. 1, 2, 3, and 4 are for illustrative purposes only and form no part of the claimed design.

1 Claim, 2 Drawing Sheets



OTHER PUBLICATIONS

Anthony D. Serrano, et al., "Golf Driver Head," U.S. Appl. No. 29/266,936, filed Sep. 29, 2006.
Eric J. Morales, et al., "Golf Driver Head," U.S. Appl. No. 29/266,927, filed Sep. 29, 2006.
Marty R. Jertson, et al., "Golf Fairway Wood Head," U.S. Appl. No. 29/277,584, filed Mar. 2, 2007.
Marty R. Jertson, et al., "Golf Fairway Wood Head," U.S. Appl. No. 29/277,590, filed Mar. 2, 2007.
Marty R. Jertson, et al., "Golf Fairway Wood Head," U.S. Appl. No. 29/277,591, filed Mar. 2, 2007.
Marty R. Jertson, et al., "Golf Hybrid Head," U.S. Appl. No. 29/277,182, filed Feb. 16, 2007.
Bradley D. Schweigert, et al., "Golf Driver Head," U.S. Appl. No. 29/277,593, filed Mar. 2, 2007.
Bradley D. Schweigert, et al., "Golf Driver Head," U.S. Appl. No. 29/277,595, filed Mar. 2, 2007.
Bradley D. Schweigert, et al., "Golf Driver Head," U.S. Appl. No. 29/277,594, filed Mar. 2, 2007.
Marty R. Jertson, et al., "Golf Hybrid Head," U.S. Appl. No. 29/277,597, filed Mar. 2, 2007.
Marty R. Jertson, et al., "Golf Hybrid Head," U.S. Appl. No. 29/277,586, filed Mar. 2, 2007.
Marty R. Jertson, et al., "Golf Hybrid Head," U.S. Appl. No. 29/277,587, filed Mar. 2, 2007.
Marty R. Jertson, et al., "Golf Hybrid Head," U.S. Appl. No. 29/277,177, filed Feb. 16, 2007.
Xiaojian Chen, et al., "Sole for a Golf Club Head," U.S. Appl. No. 29/280,179, filed May 18, 2007.

Marty R. Jertson, et al., "Sole for a Golf Club Head," U.S. Appl. No. 29/280,086, filed May 16, 2007.
Richard R. Sanchez, et al., "Golf Driver Head," U.S. Appl. No. 29/281,293, filed Jun. 20, 2007.
Richard R. Sanchez, et al., "Golf Driver Head," U.S. Appl. No. 29/281,298, filed Jun. 20, 2007.
Richard R. Sanchez, et al., "Golf Fairway Wood Head," U.S. Appl. No. 29/281,303, filed Jun. 20, 2007.
Richard R. Sanchez, et al., "Golf Fairway Wood Head," U.S. Appl. No. 29/281,310, filed Jun. 20, 2007.
Richard R. Sanchez, et al., "Golf Hybrid Head," U.S. Appl. No. 29/281,316, filed Jun. 20, 2007.
Richard R. Sanchez, et al., "Golf Hybrid Head," U.S. Appl. No. 29/281,317, filed Jun. 20, 2007.
Richard R. Sanchez, et al., "Golf Driver Head," U.S. Appl. No. 29/281,325, filed Jun. 20, 2007.
Richard R. Sanchez, et al., "Golf Driver Head," U.S. Appl. No. 29/281,327, filed Jun. 20, 2007.
Richard R. Sanchez, et al., "Golf Hybrid Head," U.S. Appl. No. 29/281,320, filed Jun. 20, 2007.
Richard R. Sanchez, et al., "Golf Hybrid Head," U.S. Appl. No. 29/281,323, filed Jun. 20, 2007.
Richard R. Sanchez, et al., "Sole for a Golf Club Head," U.S. Appl. No. 29/281,329, filed Jun. 20, 2007.
Richard R. Sanchez, et al., "Sole for a Golf Club Head," U.S. Appl. No. 29/281,332, filed Jun. 20, 2007.
Richard R. Sanchez, et al., "Sole for a Golf Club Head," U.S. Appl. No. 29/281,337, filed Jun. 20, 2007.

* cited by examiner

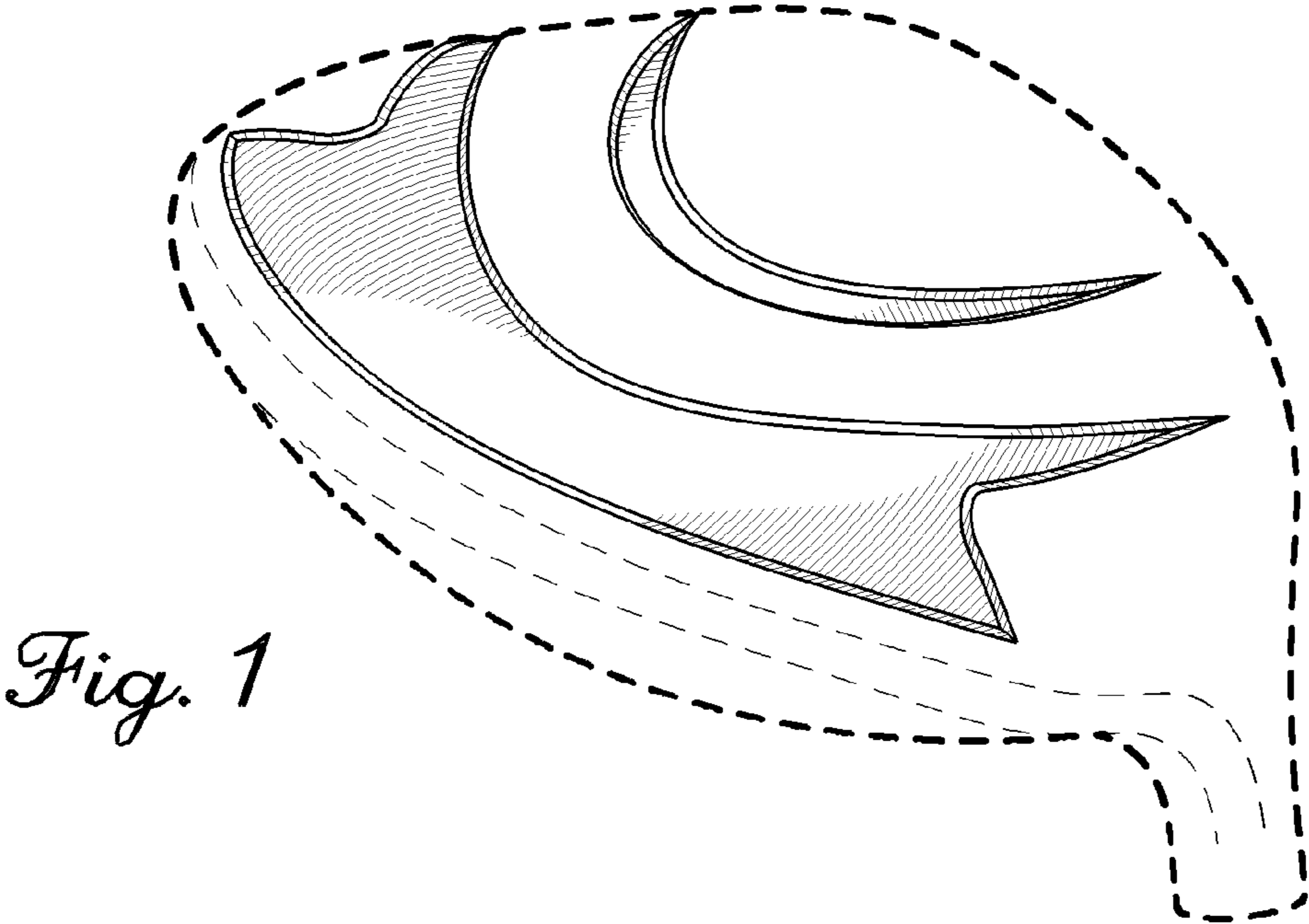


Fig. 1

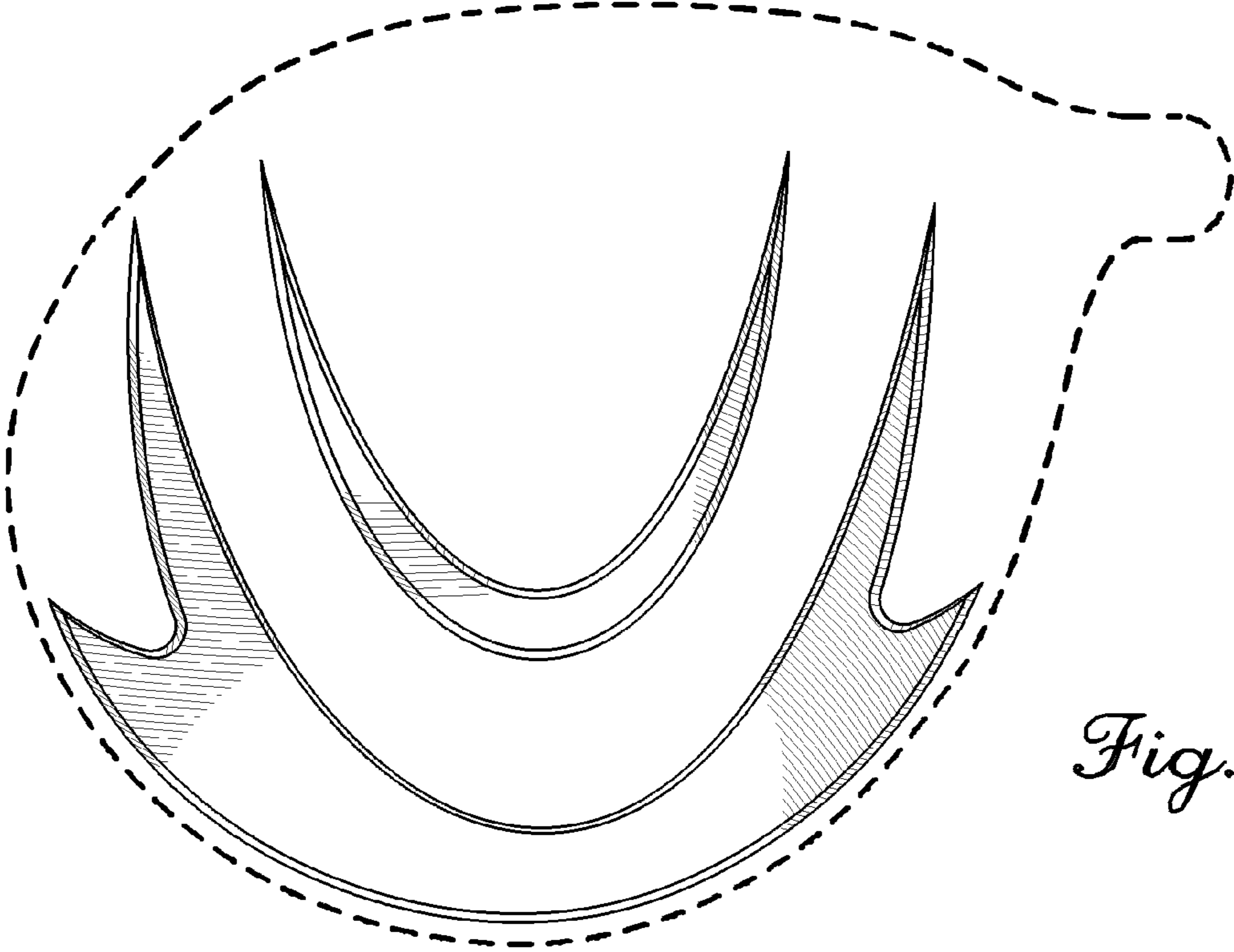


Fig. 2

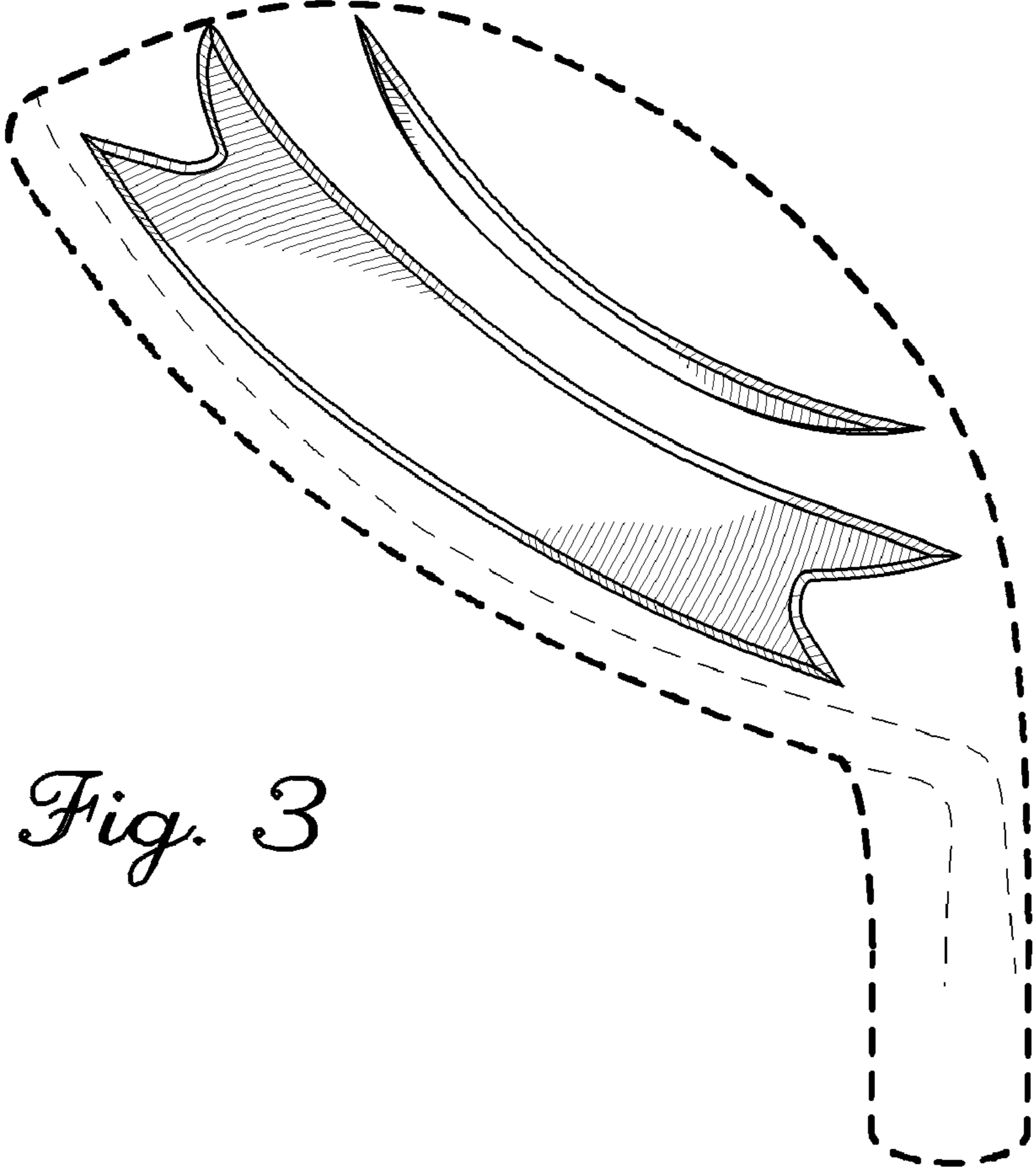


Fig. 3

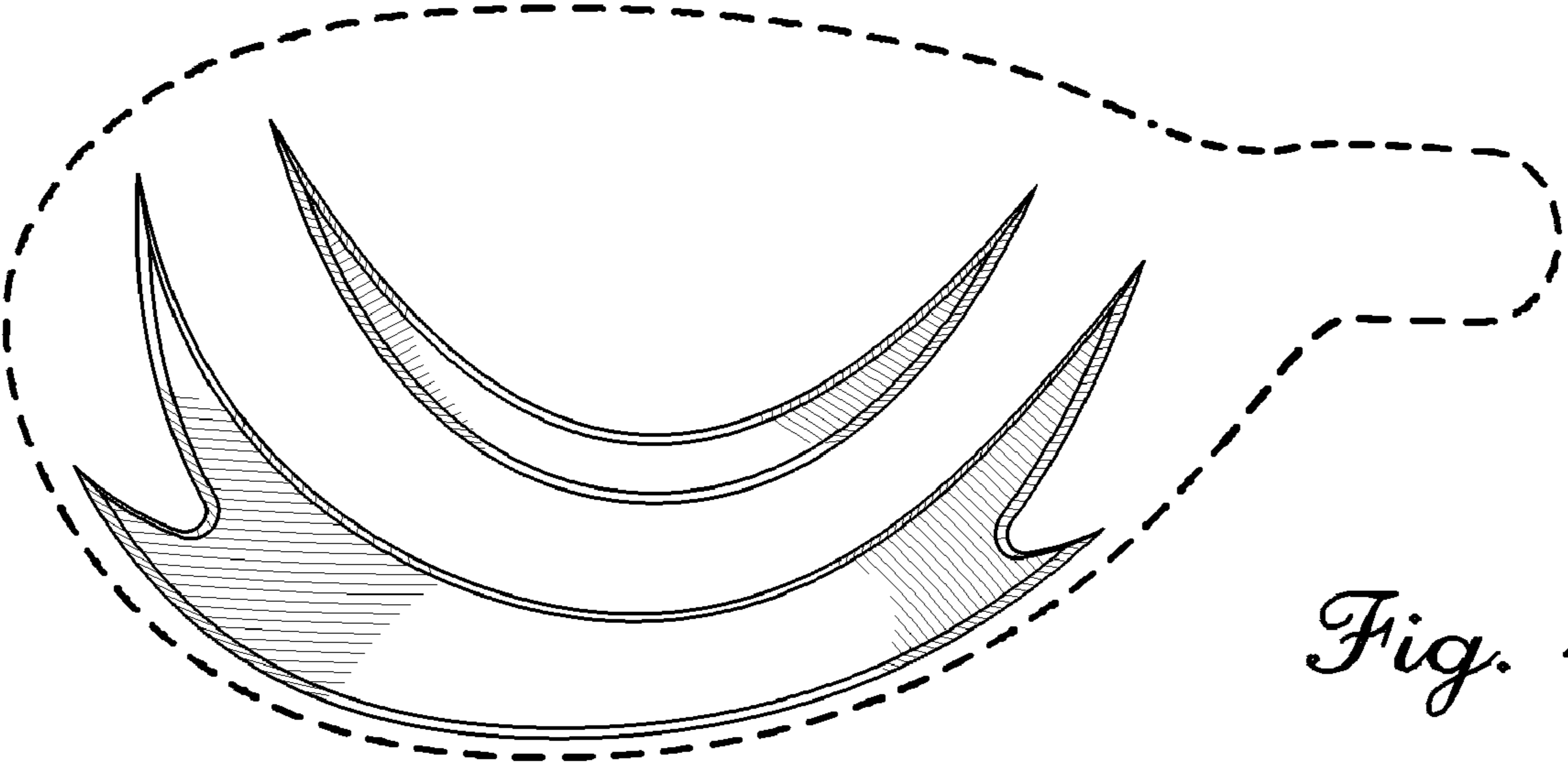


Fig. 4