



US00D573209S

(12) **United States Design Patent**
Ellison

(10) **Patent No.:** **US D573,209 S**
(45) **Date of Patent:** **** Jul. 15, 2008**

(54) **EXERCISE BENCH**

(76) Inventor: **Glenn Prescott Ellison**, 2152 Polynesia Cir., Henderson, NV (US) 89074

(**) Term: **14 Years**

(21) Appl. No.: **29/265,864**

(22) Filed: **Sep. 11, 2006**

(51) **LOC (8) Cl.** **21-02**

(52) **U.S. Cl.** **D21/690**

(58) **Field of Classification Search** D21/662,
D21/686-687, 690-691, 695; 482/140, 142
See application file for complete search history.

(56) **References Cited**

U.S. PATENT DOCUMENTS

D254,562	S	*	3/1980	Pearo	D21/690
D258,372	S	*	2/1981	Pearo	D21/690
D263,728	S	*	4/1982	Lambert et al.	D21/690
4,546,967	A	*	10/1985	Kecala	482/145
4,687,197	A	*	8/1987	Larsson et al.	482/73
D298,786	S	*	12/1988	Wilkinson	D6/367
4,936,572	A	*	6/1990	Desiderio	482/142
5,316,528	A	*	5/1994	Ziparo	482/52
RE35,083	E	*	11/1995	Roosevelt	482/104
D370,506	S	*	6/1996	Clem	D21/687
5,531,658	A	*	7/1996	L. S. C.	482/142
D406,290	S	*	3/1999	McBride	D21/690
6,287,243	B1	*	9/2001	Isom et al.	482/142
D455,803	S	*	4/2002	Webber	D21/690
6,605,023	B1	*	8/2003	Mobley	482/142

D541,893	S	*	5/2007	Webber	D21/690
D547,400	S	*	7/2007	Rogers et al.	D21/695
7,285,077	B1	*	10/2007	Marx	482/104
2003/0199373	A1	*	10/2003	Savage et al.	482/142
2004/0082450	A1	*	4/2004	Casey et al.	482/140
2005/0032614	A1	*	2/2005	Keiser et al.	482/142
2005/0101464	A1	*	5/2005	Campitelli	482/142
2005/0197238	A1	*	9/2005	Parker	482/142
2006/0122045	A1	*	6/2006	Webber	482/142
2007/0155604	A1	*	7/2007	Hockemeyer	482/142

FOREIGN PATENT DOCUMENTS

JP 09140828 A * 6/1997

* cited by examiner

Primary Examiner—Philip Hyder

Assistant Examiner—Roselynn Cody

(74) *Attorney, Agent, or Firm*—Kelly Lowry & Kelley, LLP

(57) **CLAIM**

The ornamental design for an exercise bench, as shown.

DESCRIPTION

FIG. 1 is a top, front and right side perspective view of an exercise bench embodying my new design;

FIG. 2 is a top plan view thereof;

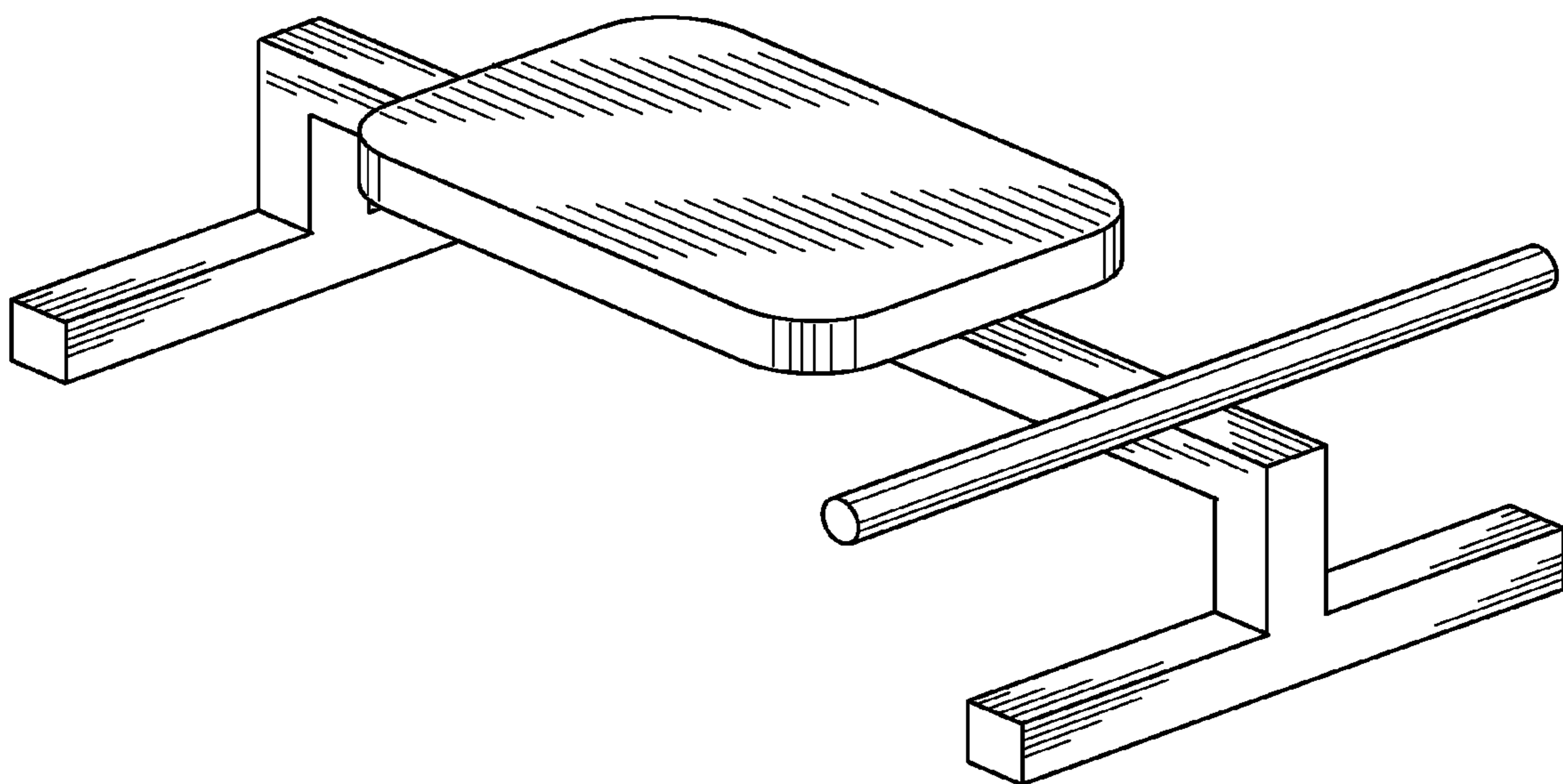
FIG. 3 is a left side elevational view thereof;

FIG. 4 is a front elevational view thereof;

FIG. 5 is a rear elevational view thereof; and,

FIG. 6 is a right side elevational view thereof.

1 Claim, 2 Drawing Sheets



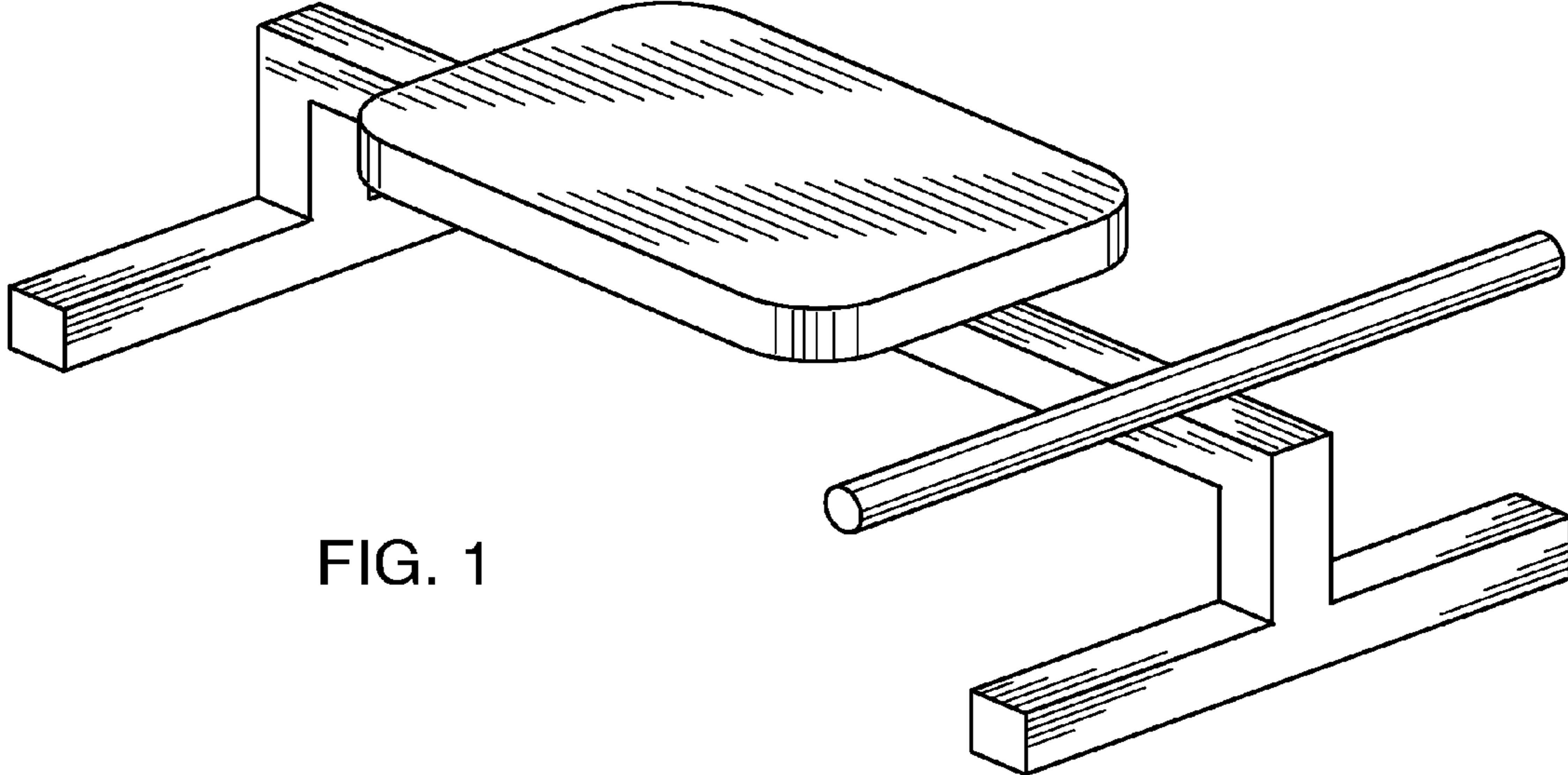


FIG. 1

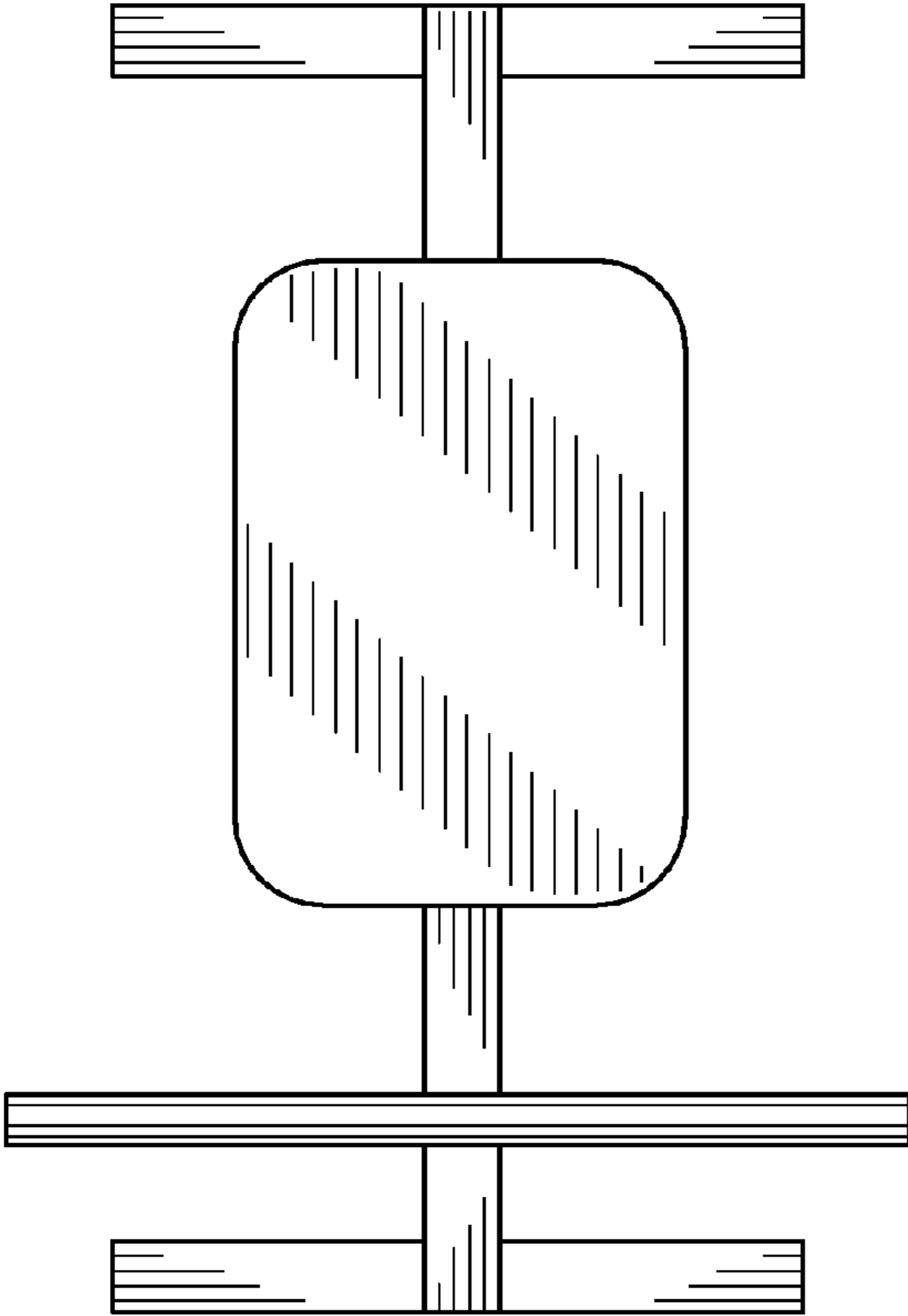


FIG. 2

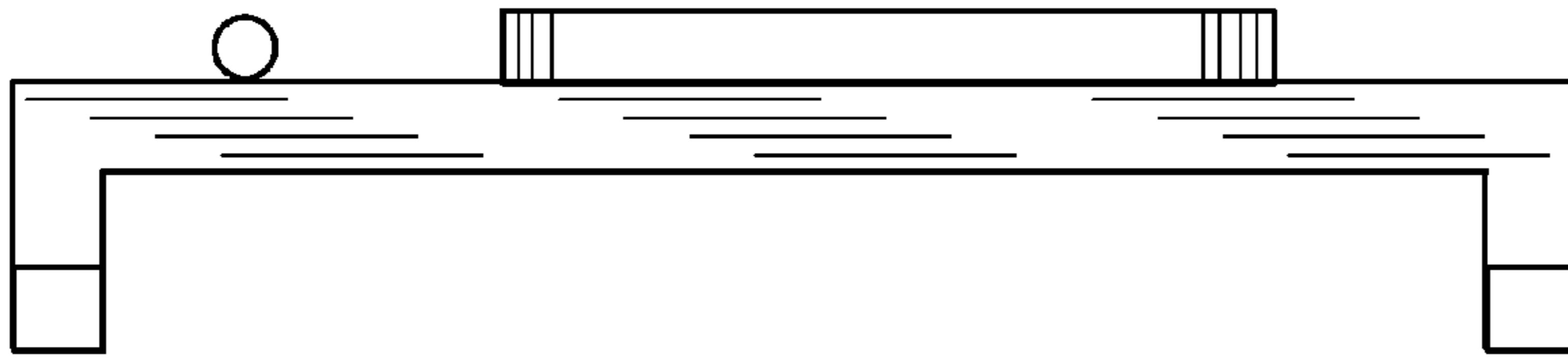


FIG. 3

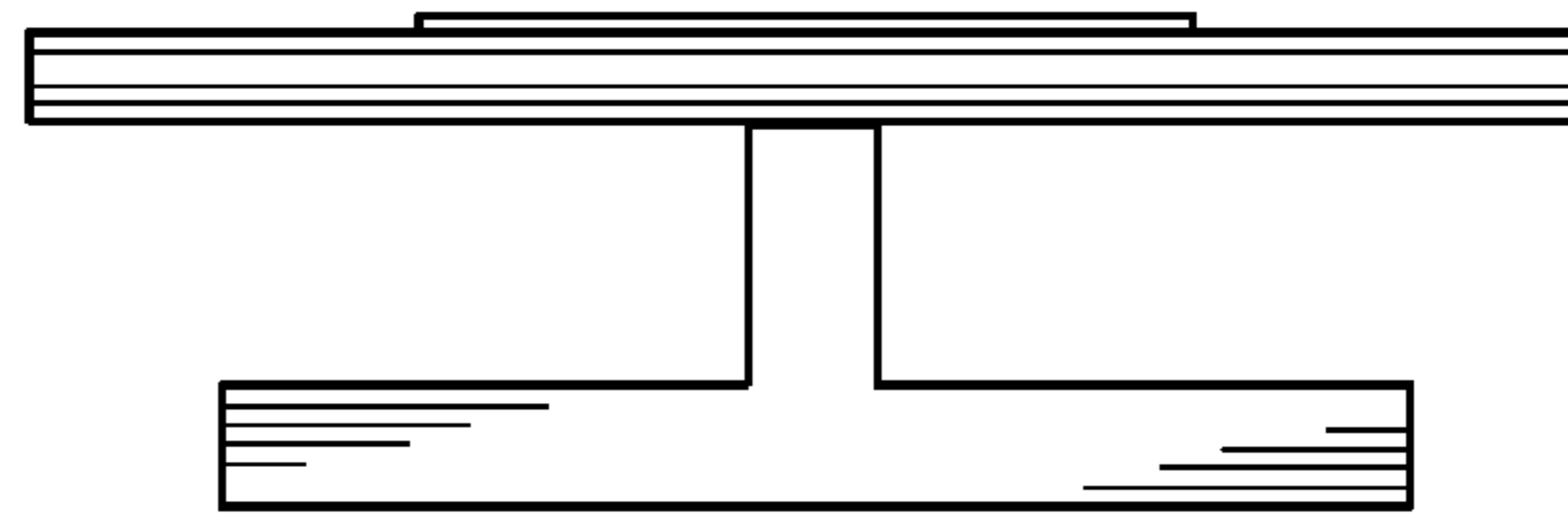


FIG. 4

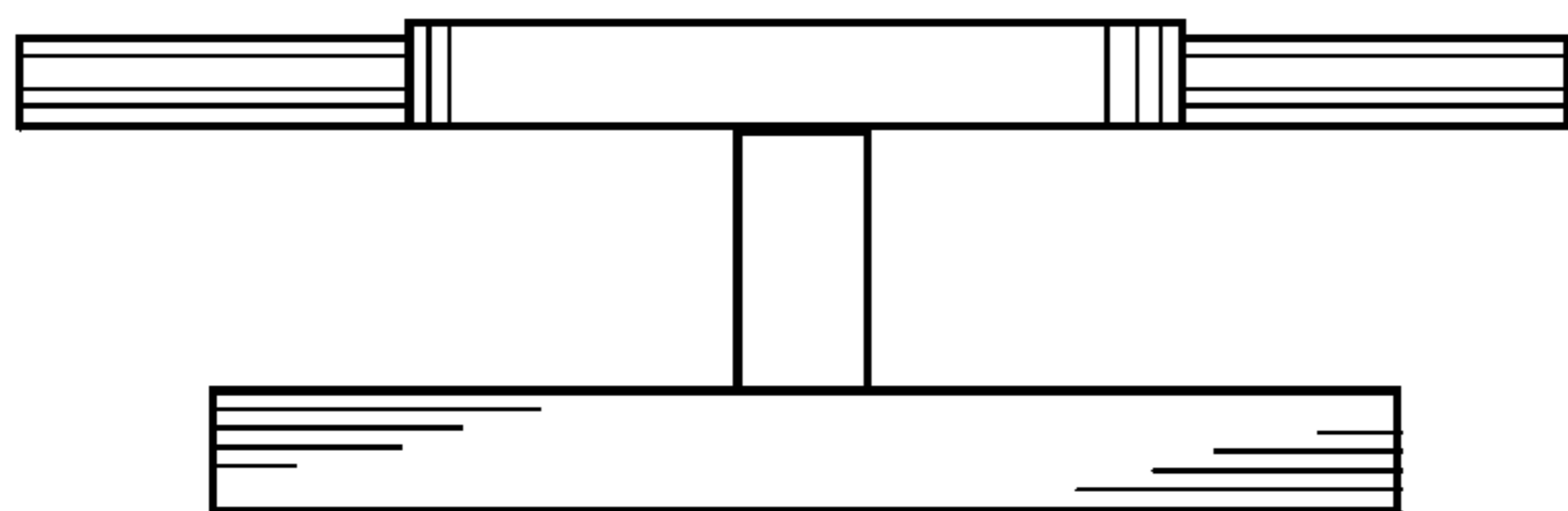


FIG. 5

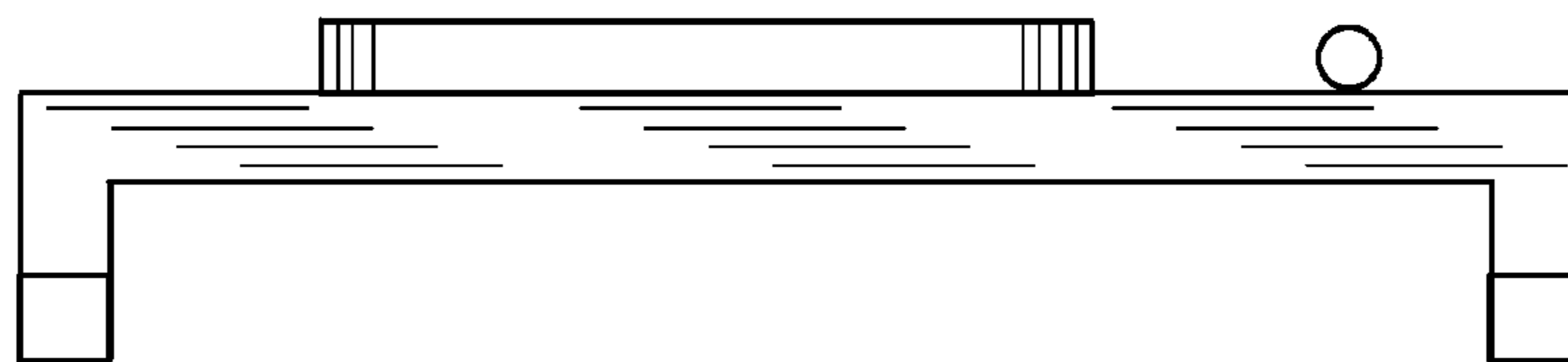


FIG. 6