



(12) **United States Design Patent**
Davies, III

(10) **Patent No.:** **US D573,208 S**
(45) **Date of Patent:** **** Jul. 15, 2008**

(54) **WEIGHT-LIFTING PLATE**

(76) **Inventor:** **David R. Davies, III**, 10250 Dakins Dr.,
Richmond, VA (US) 23236

(**) **Term:** **14 Years**

(21) **Appl. No.:** **29/286,141**

(22) **Filed:** **Apr. 25, 2007**

(51) **LOC (8) Cl.** **21-02**

(52) **U.S. Cl.** **D21/680**

(58) **Field of Classification Search** D21/662,
D21/680-681; 482/92-94, 106-108
See application file for complete search history.

(56) **References Cited**

U.S. PATENT DOCUMENTS

| | | | | |
|-----------|-----|---------|----------------|---------|
| 5,137,502 | A | 8/1992 | Anastasi | |
| 5,295,934 | A * | 3/1994 | Collins et al. | 482/107 |
| D355,007 | S | 1/1995 | Rojas | |
| 5,853,355 | A | 12/1998 | Standish | |
| D409,695 | S | 5/1999 | Rojas | |
| D421,076 | S * | 2/2000 | Lincir | D21/681 |
| D424,140 | S * | 5/2000 | Lincir | D21/680 |
| D424,639 | S | 5/2000 | Rojas | |
| D433,469 | S | 11/2000 | Rojas | |
| D441,412 | S * | 5/2001 | Rojas et al. | D21/681 |
| D441,812 | S * | 5/2001 | Rojas et al. | D21/681 |
| D442,239 | S * | 5/2001 | Rojas et al. | D21/681 |
| D442,240 | S * | 5/2001 | Rojas et al. | D21/681 |
| D445,153 | S | 7/2001 | Lincir | |
| D445,154 | S | 7/2001 | Lincir | |
| D446,265 | S * | 8/2001 | Lincir | D21/680 |
| D446,559 | S | 8/2001 | Lincir | |
| D448,055 | S * | 9/2001 | Lien et al. | D21/681 |
| D451,158 | S * | 11/2001 | Lincir | D21/680 |
| D451,159 | S * | 11/2001 | Rojas et al. | D21/680 |
| D451,160 | S * | 11/2001 | Rojas et al. | D21/680 |
| D454,167 | S * | 3/2002 | Lincir | D21/680 |

(Continued)

OTHER PUBLICATIONS

Magnum, 255 lb, Green, Olympic, Weight Set. Downloaded Oct. 27,
2007 at <http://bodybuilderfitness.com/pro1095314.html>.*

Cemco 300 lb. Rubber-Encased Power Grip Olympic Barbell Set (Power-CPGR-SET). Downloaded Oct. 29, 2007 at <http://www.ironcompany.com/index.asp?PageAction=VIEWPROD&ProdID=594>.*

Ivanko 300 lb. Rubber Encased Colored Plate "EZ-Lift" Olympic Set w/ 7' Stainless Bar. Downloaded Oct. 27, 2007 at <http://www.ironcompany.com/index.asp?PageAction=VIEWPROD&ProdID=1478>.*

Primary Examiner—Philip Hyder
Assistant Examiner—Roselynn Cody
(74) *Attorney, Agent, or Firm*—Kimberly A. Chasteen

(57) **CLAIM**

I claim the ornamental design for a weight-lifting plate, as shown and described.

DESCRIPTION

FIG. 1 is a front elevation view of a weight-lifting plate embodying my new design

FIG. 2 is a side view of the weight-lifting plate shown in FIG. 1;

FIG. 3 is a perspective view of the weight-lifting plate shown in FIG. 1;

FIG. 4 is a front elevation view of a modified embodiment thereof;

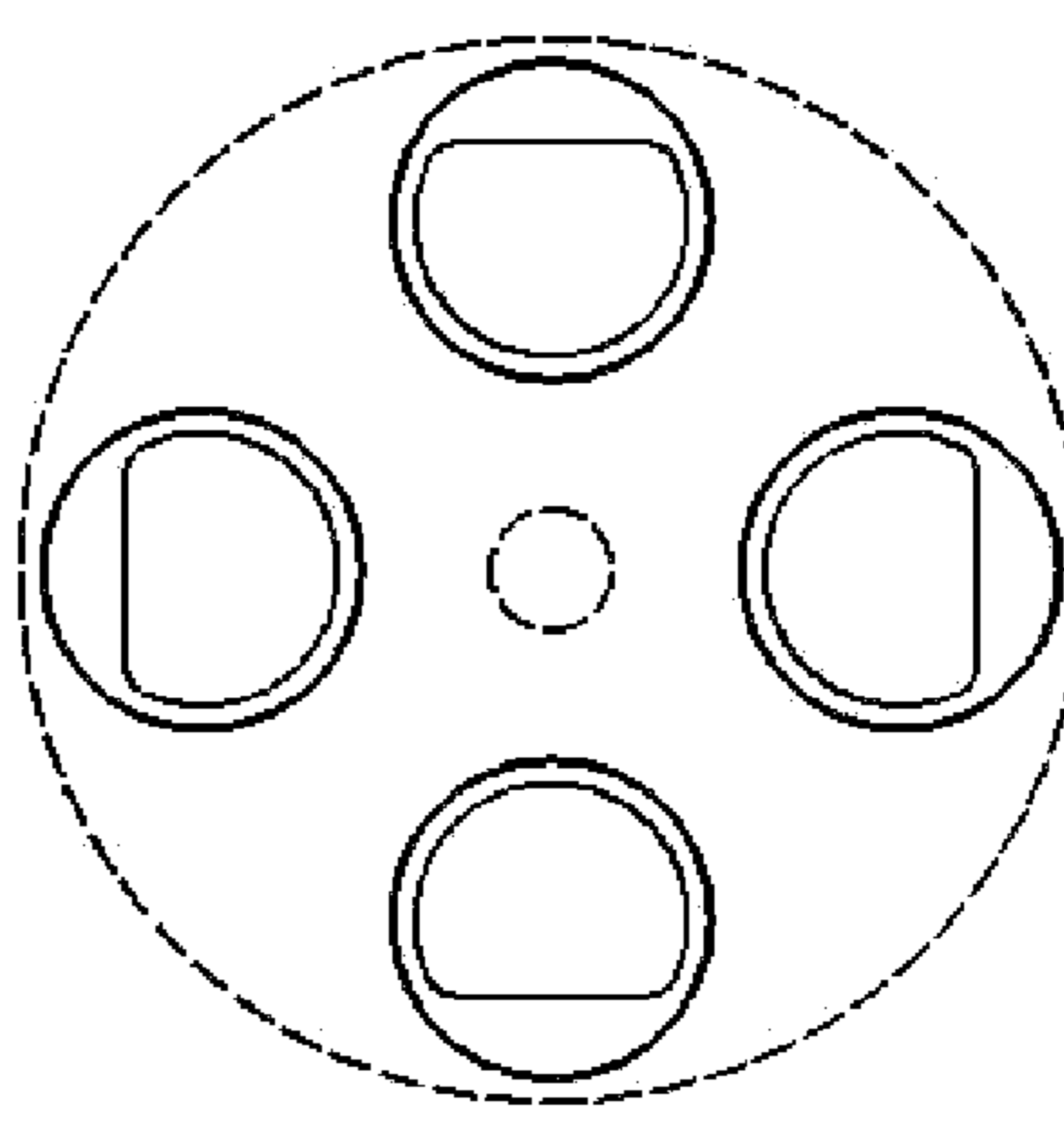
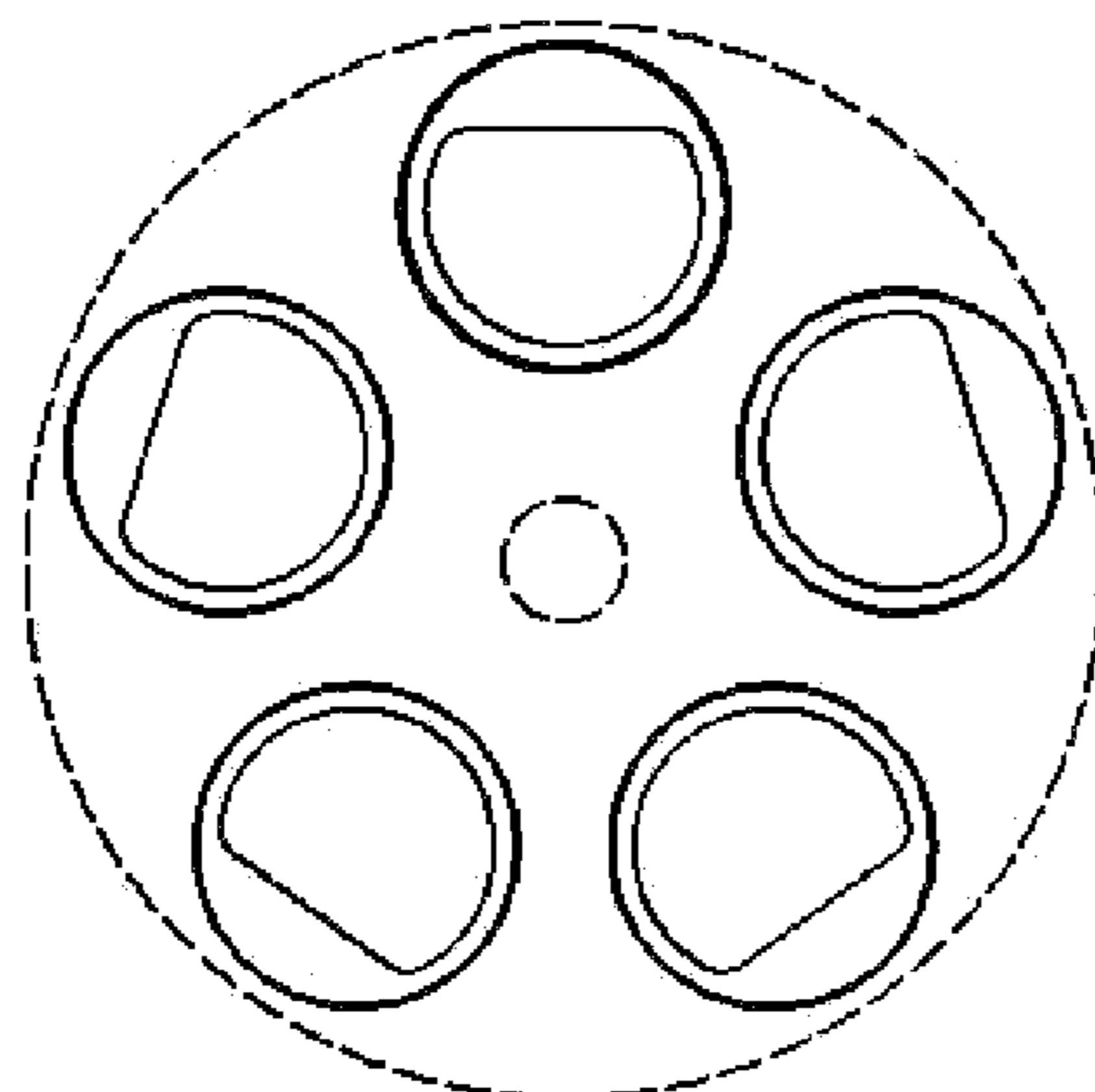
FIG. 5 is a side view of the weight-lifting plate shown in FIG. 4; and,

FIG. 6 is a perspective view of the weight-lifting plate shown in FIG. 4.

The opposite side of the weight-lifting plate shown in FIG. 1 and is the mirror image thereof. Likewise, the opposite side of the weight-lifting plate shown in FIG. 4 is the mirror image thereof.

The dotted line portions of the drawing disclosure are for illustrative purposes only and form no part of the claimed design.

1 Claim, 2 Drawing Sheets



US D573,208 S

Page 2

U.S. PATENT DOCUMENTS

| | | | | | | | | | |
|-----------|------|--------|----------------------|---------|--------------|------|--------|----------------------|---------|
| 6,436,015 | B1 * | 8/2002 | Frasco et al. | 482/106 | D519,584 | S * | 4/2006 | Brice et al. | D21/681 |
| D463,001 | S * | 9/2002 | Buchanan | D21/680 | 2004/0092370 | A1 * | 5/2004 | Lincir | 482/107 |
| D476,383 | S * | 6/2003 | Chen | D21/681 | 2006/0073948 | A1 * | 4/2006 | Lincir | 482/94 |
| 6,746,380 | B2 * | 6/2004 | Lien et al. | 482/106 | 2007/0184943 | A1 * | 8/2007 | Davies | 482/93 |
| D502,514 | S * | 3/2005 | Buchanan et al. | D21/680 | 2007/0197352 | A1 * | 8/2007 | Charniga et al. | 482/93 |
| 6,991,590 | B2 * | 1/2006 | Vigiano | 482/106 | | | | | |

* cited by examiner

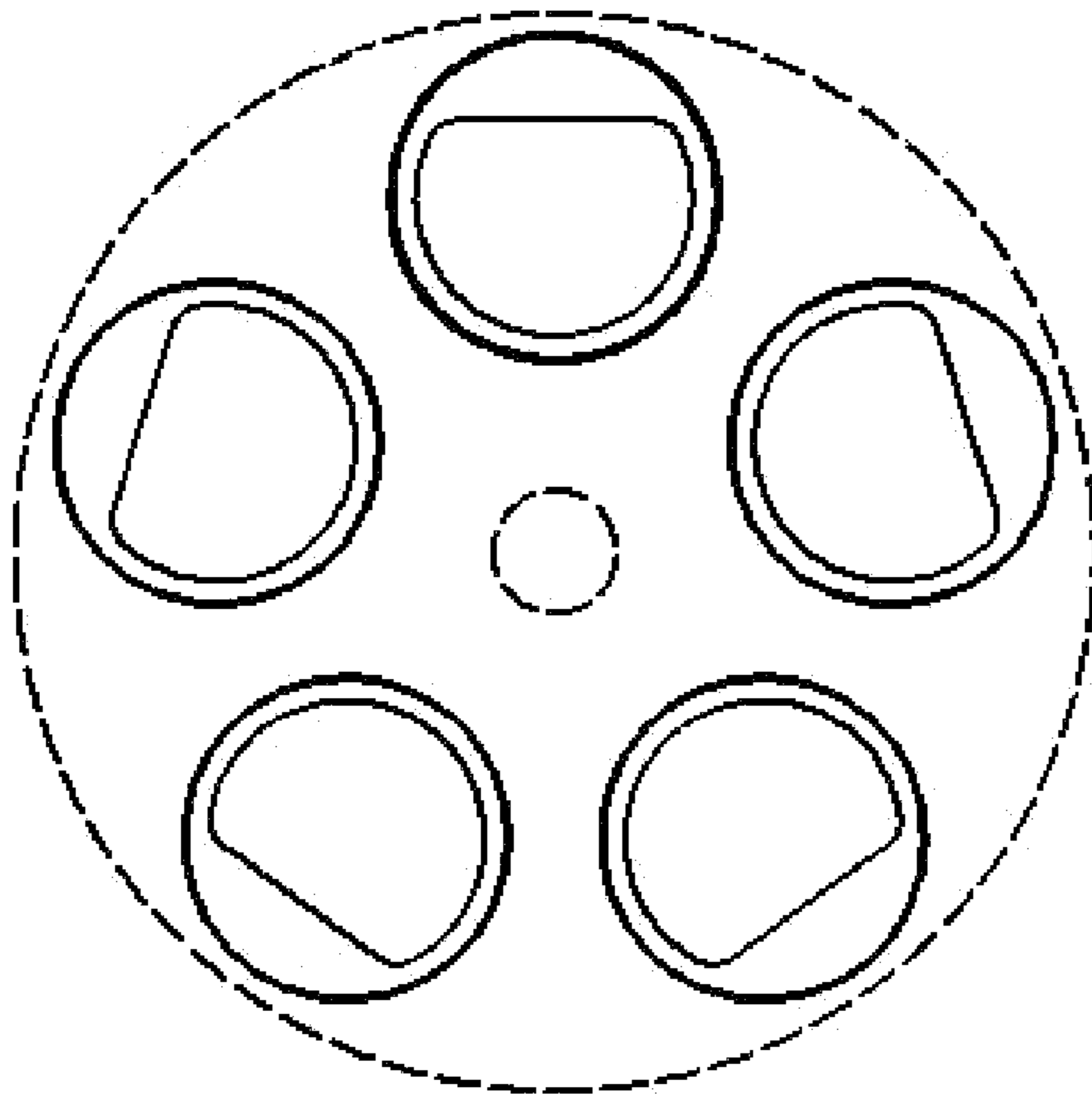


FIG. 1



FIG. 2

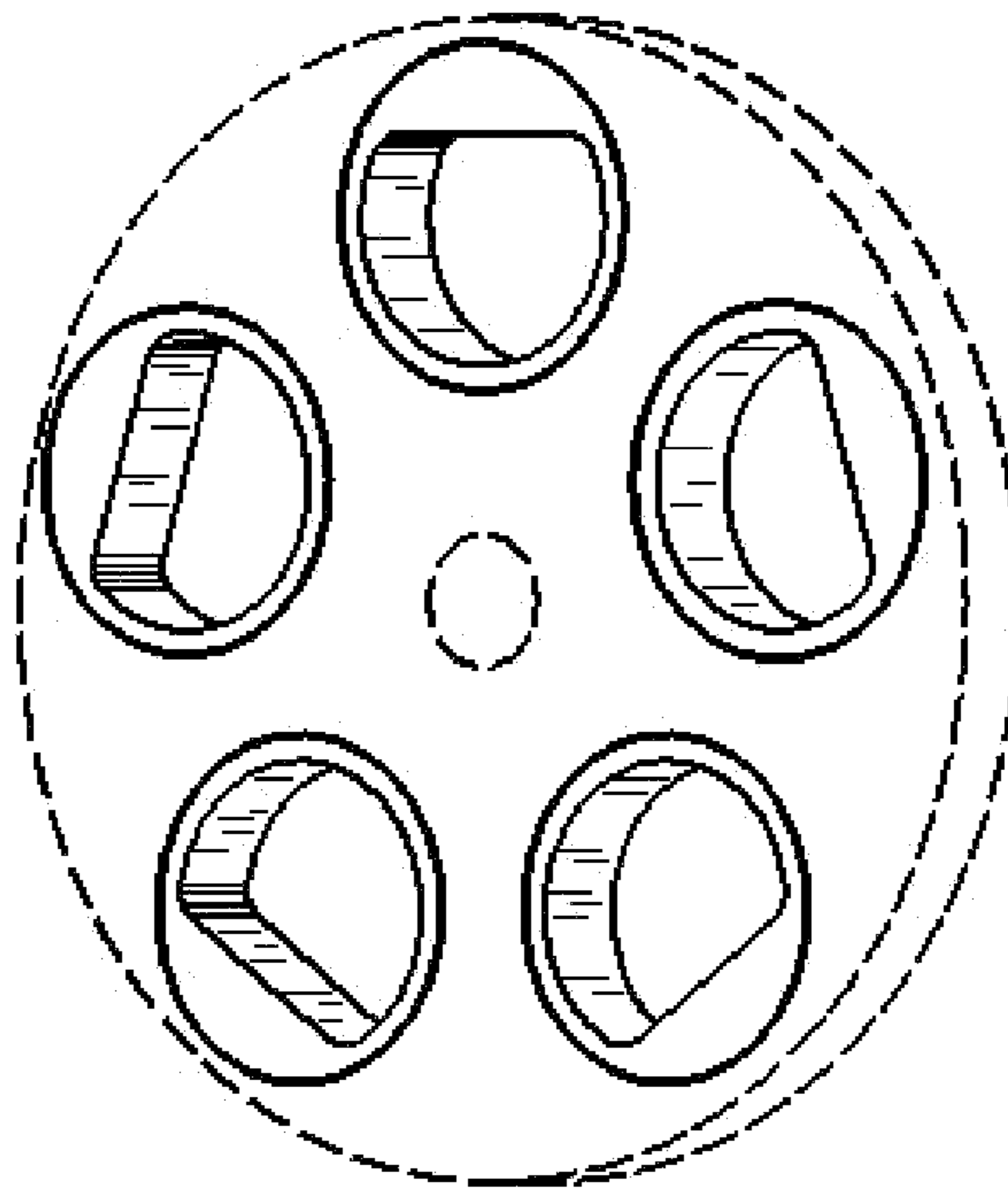


FIG. 3

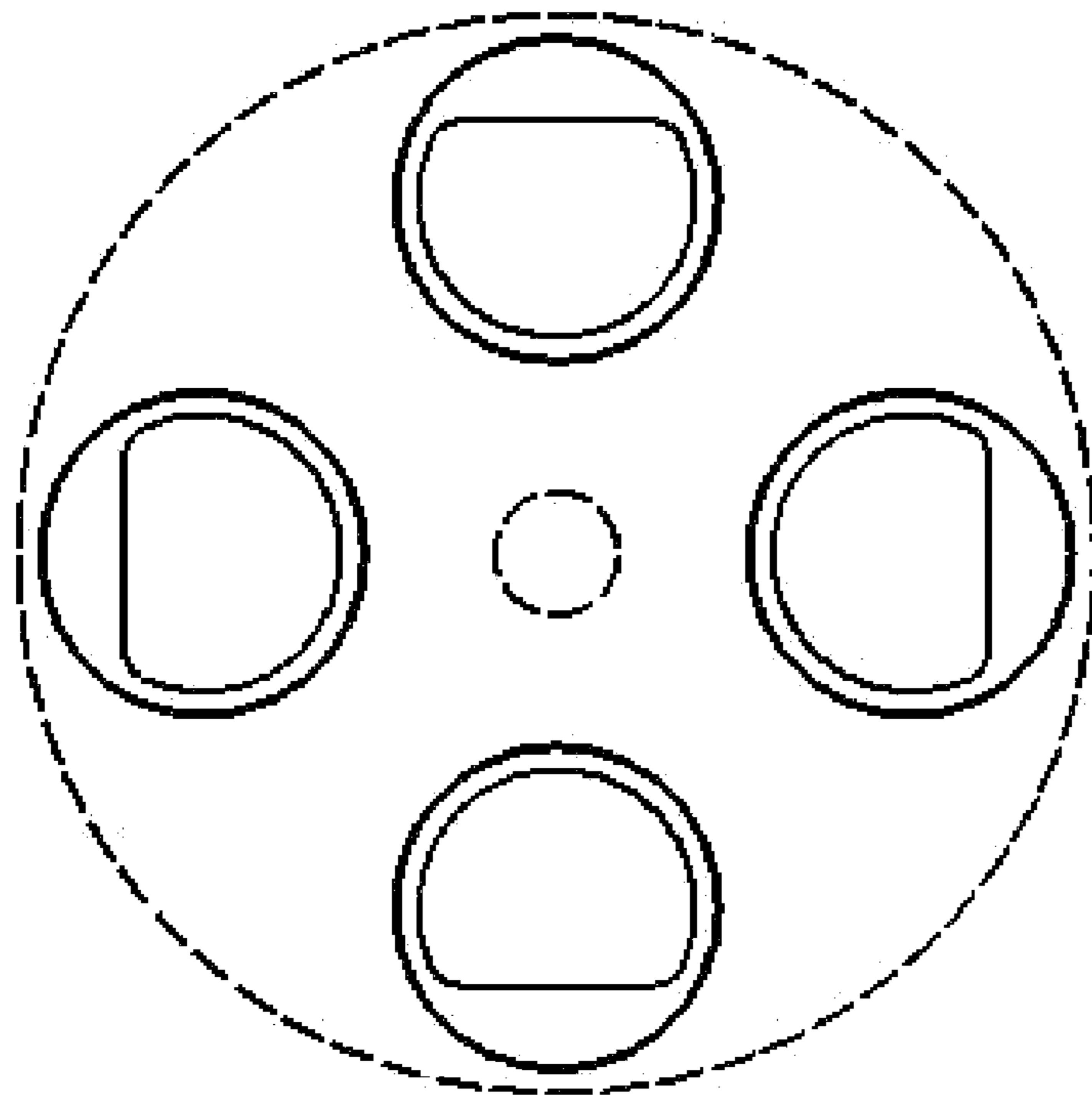


FIG. 4



FIG. 5

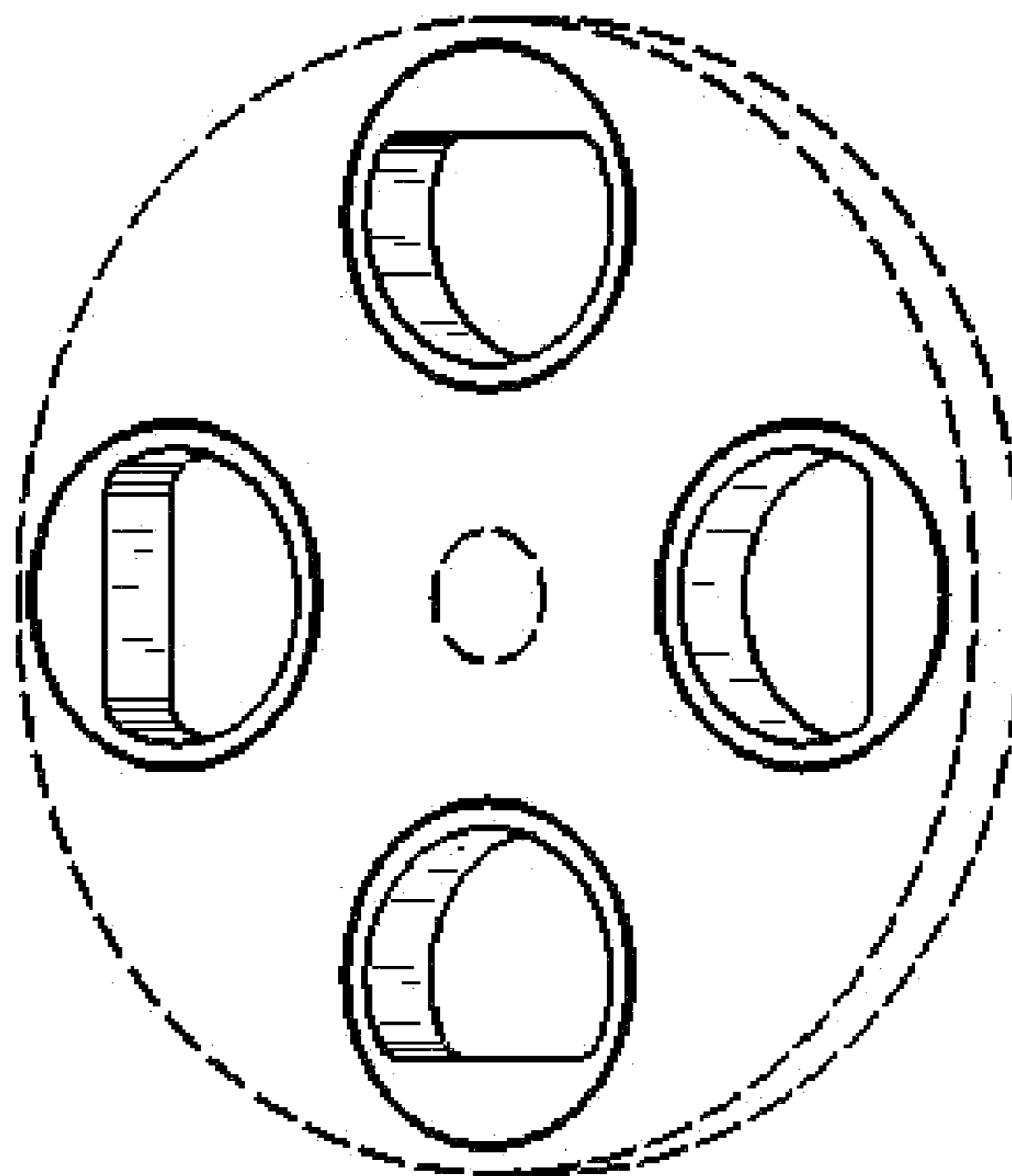


FIG. 6