



US00D573204S

(12) **United States Design Patent**
Arai et al.

(10) **Patent No.:** **US D573,204 S**
(45) **Date of Patent:** **** Jul. 15, 2008**

(54) **RADIO REMOTE CONTROL UNIT**

(75) Inventors: **Masahiro Arai**, Chiba (JP); **Takahiro Isono**, Chiba (JP); **Kota Toyotomi**, Chiba (JP)

(73) Assignee: **Futaba Corporation**, Mobarashi, Chiba-ken (JP)

(**) Term: **14 Years**

(21) Appl. No.: **29/282,370**

(22) Filed: **Jul. 18, 2007**

(30) **Foreign Application Priority Data**

Jan. 22, 2007 (JP) 2007-003801

(51) **LOC (8) Cl.** **21-01**

(52) **U.S. Cl.** **D21/566**

(58) **Field of Classification Search** D21/324,
D21/329, 333, 566; D14/400, 401, 454,
D14/217, 218, 358, 155; D13/168; 446/454-456;
463/6, 7, 37, 38, 39, 46, 47
See application file for complete search history.

(56) **References Cited**

U.S. PATENT DOCUMENTS

D322,297 S * 12/1991 Kohno D21/566
D344,553 S * 2/1994 Arai D21/566

D397,169 S * 8/1998 Kanetsuna et al. D21/453
D471,603 S * 3/2003 Morita et al. D21/566
D514,172 S * 1/2006 Jinno et al. D21/566
D517,129 S 3/2006 Yamamoto et al.
D521,573 S 5/2006 Jinno et al.
D546,905 S 7/2007 Arai et al.

* cited by examiner

Primary Examiner—Holly H. Baynham

Assistant Examiner—Cynthia M. Chin

(74) *Attorney, Agent, or Firm*—Quarles & Brady LLP

(57) **CLAIM**

We claim the ornamental design for a radio remote control unit, as shown and described.

DESCRIPTION

FIG. 1 is a front side perspective view of a radio remote control unit showing our new design;

FIG. 2 is a rear side perspective view thereof;

FIG. 3 is a front elevational view thereof;

FIG. 4 is a rear elevational view thereof;

FIG. 5 is a right side elevational view thereof;

FIG. 6 is a left side elevational view thereof;

FIG. 7 is a top plan view thereof; and,

FIG. 8 is a bottom plan view thereof.

1 Claim, 8 Drawing Sheets

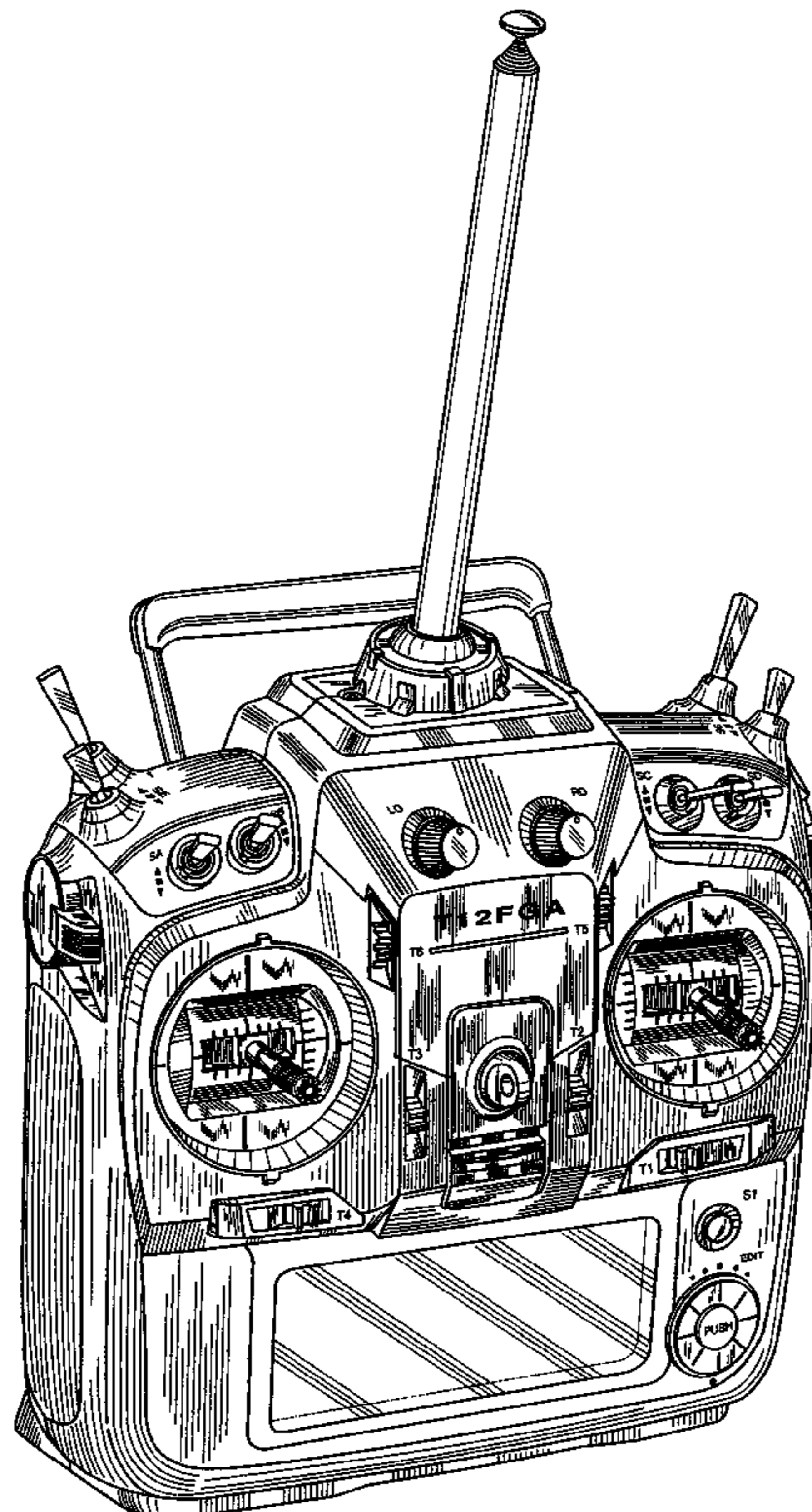


FIG. 1

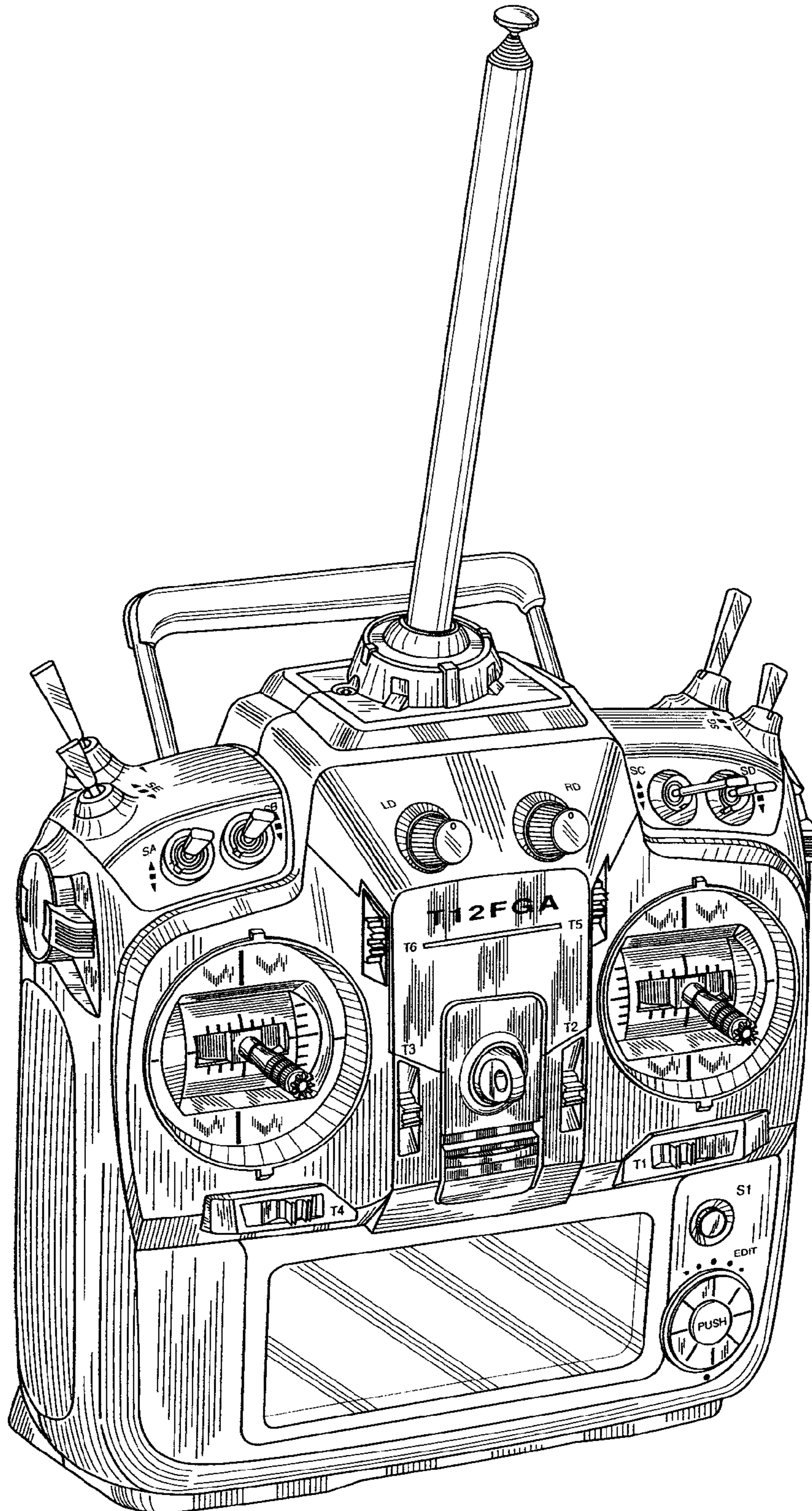


FIG.2

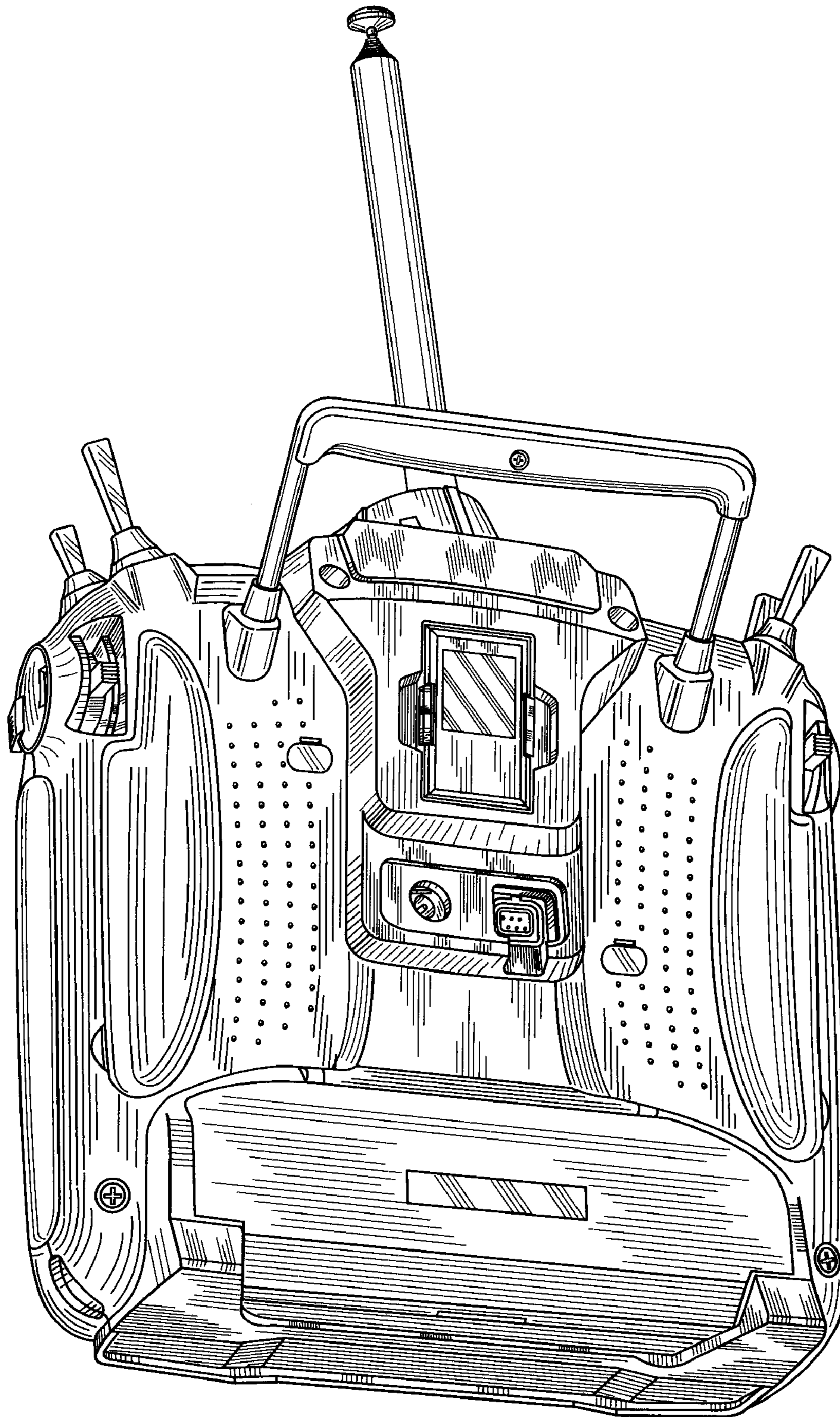


FIG.3

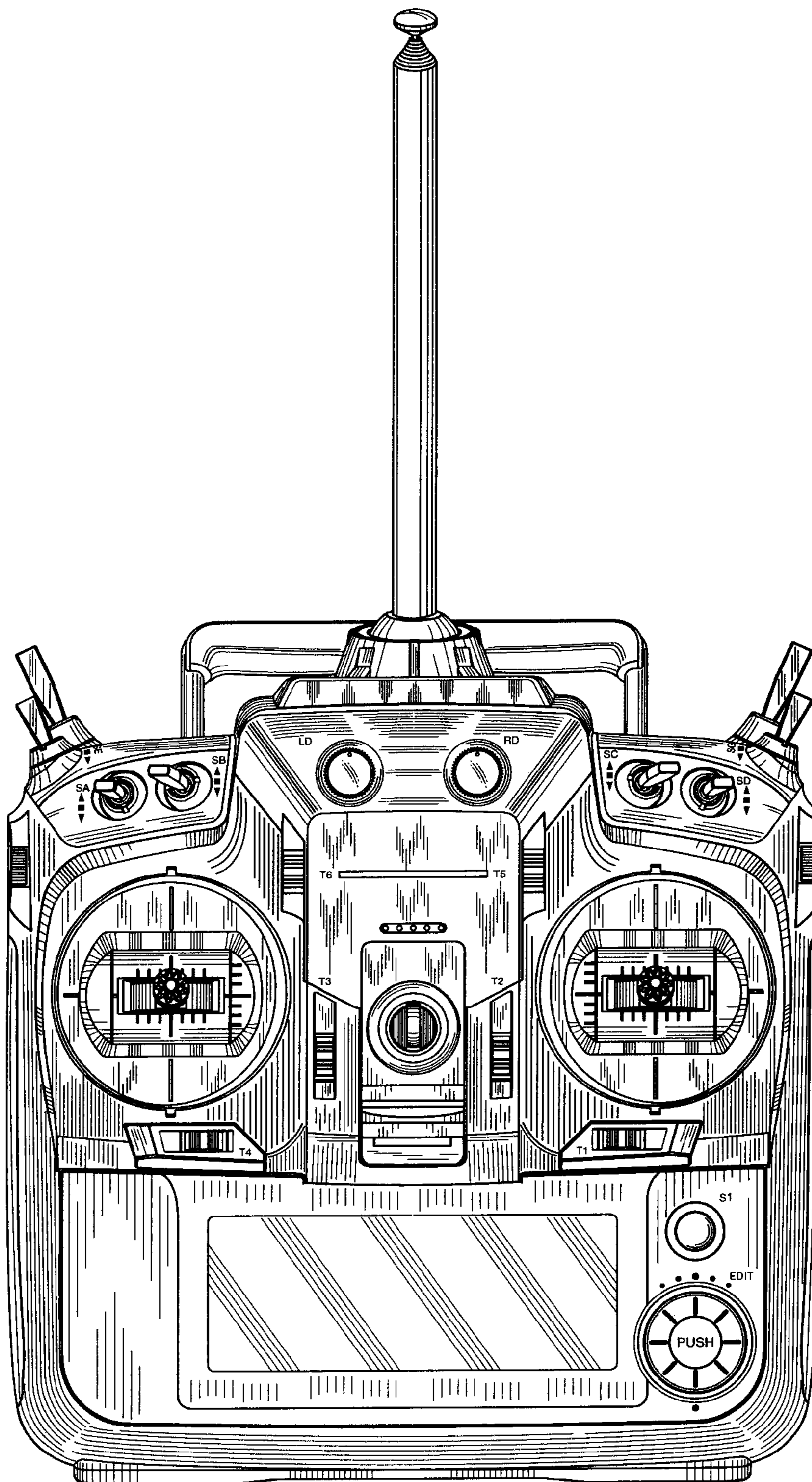


FIG.4

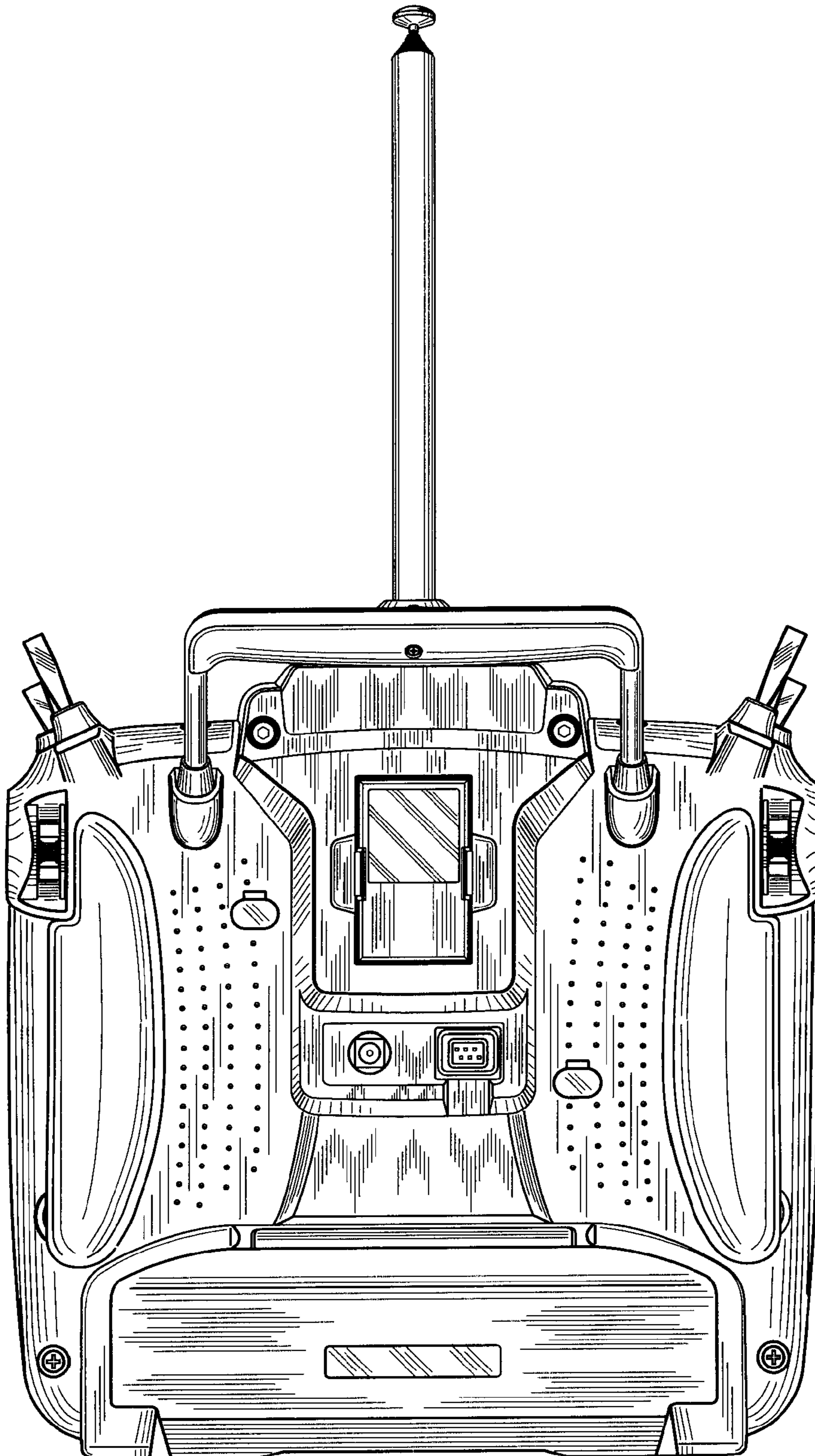


FIG.5

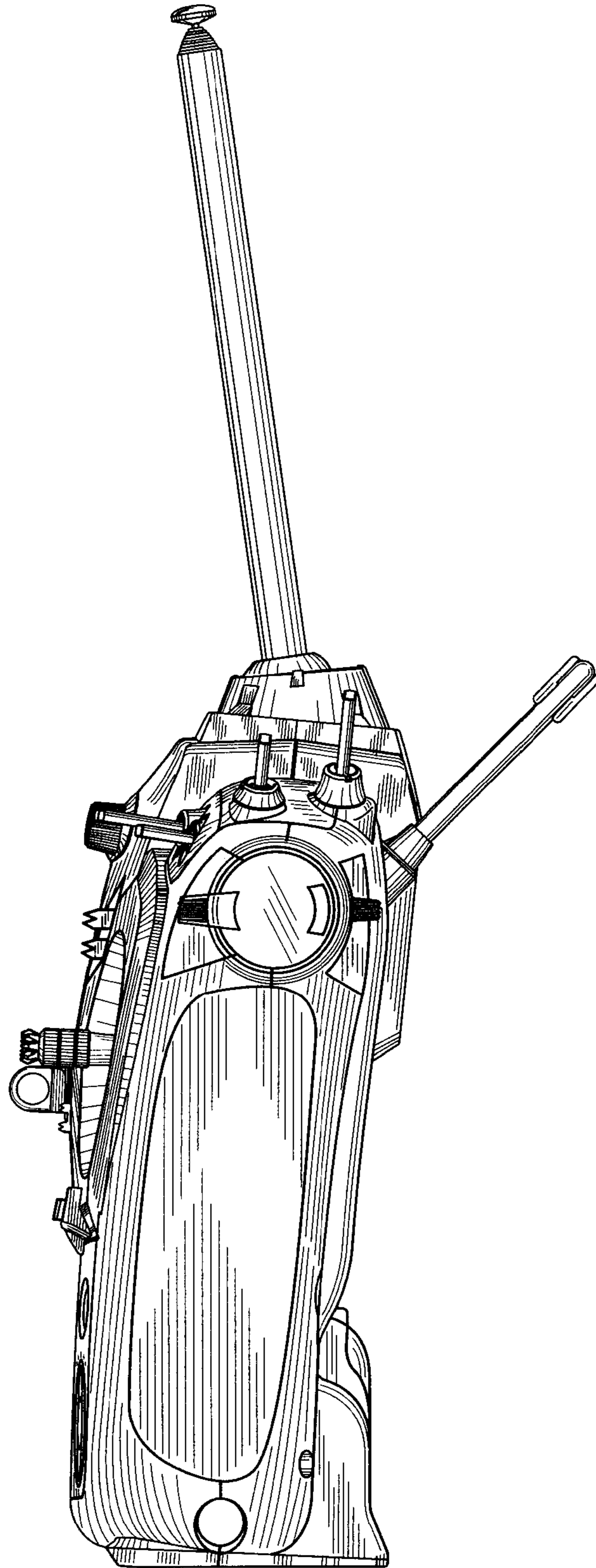


FIG.6

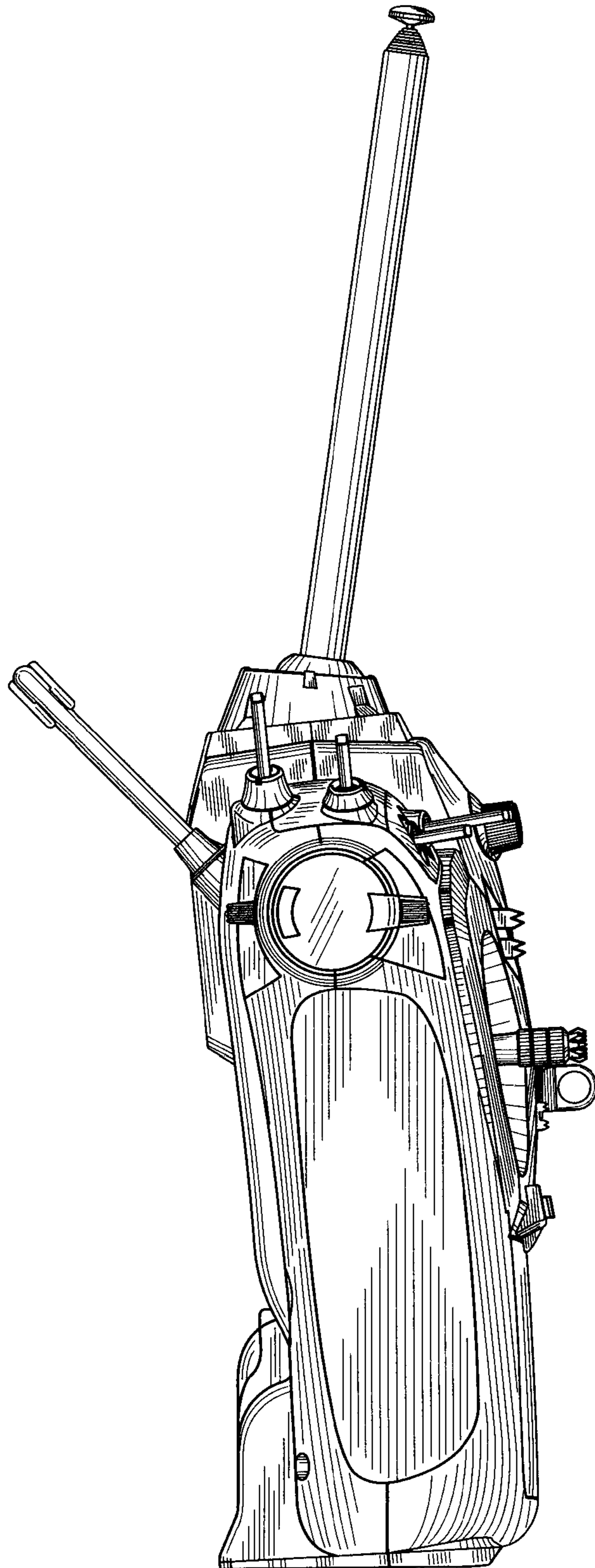


FIG.7

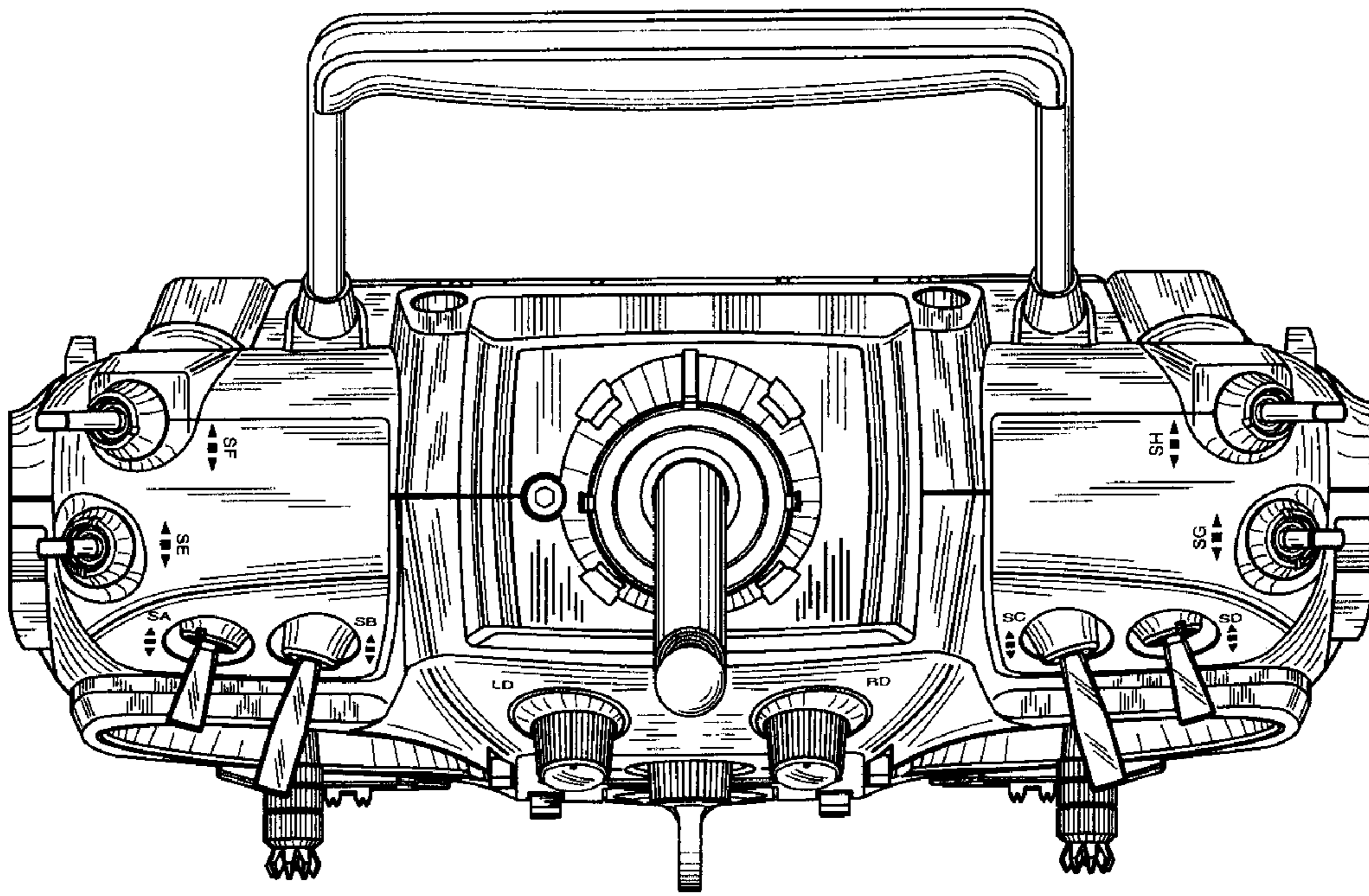


FIG.8

