

US00D573202S

(12) **United States Design Patent**
Chun

(10) **Patent No.:** **US D573,202 S**

(45) **Date of Patent:** **** Jul. 15, 2008**

(54) **TOY BLOCK**

(76) **Inventor:** **Sun Woo Chun**, 104-1804,
Purunmaeulsambu Apartment 35/4,
499-2, Bugae-dong, Bupyung-gu,
Incheon (KR)

(**) **Term:** **14 Years**

(21) **Appl. No.:** **29/283,625**

(22) **Filed:** **Aug. 20, 2007**

(30) **Foreign Application Priority Data**

Feb. 21, 2007 (KR) 30-2007-0007627

(51) **LOC (8) Cl.** **21-01**

(52) **U.S. Cl.** **D21/503**

(58) **Field of Classification Search** D21/49-495,
D21/500; D25/113, 114, 118; 446/69, 89,
446/92, 102-128; 434/259, 208, 403; 52/503;
273/153, 156, 160

See application file for complete search history.

(56) **References Cited**

U.S. PATENT DOCUMENTS

3,535,817 A * 10/1970 Artur 446/102
5,049,104 A * 9/1991 Olsen 446/104
D329,881 S * 9/1992 Spangenberg D21/502
5,172,534 A * 12/1992 Milner et al. 446/120

D334,601 S * 4/1993 Olsen D21/502
D343,429 S * 1/1994 Sorensen et al. D21/502
6,325,694 B1 * 12/2001 Clever et al. 446/104
D510,753 S * 10/2005 Paterson D21/503
D516,135 S * 2/2006 Kim D21/503
D516,635 S * 3/2006 Kim D21/503
D517,128 S * 3/2006 Kim D21/503
D517,616 S * 3/2006 Kim D21/503

* cited by examiner

Primary Examiner—Holly H. Baynham

Assistant Examiner—Cynthia M Chin

(74) *Attorney, Agent, or Firm*—Jefferson IP Law, LLP

(57) **CLAIM**

The ornamental design for a toy block, as shown and described.

DESCRIPTION

FIG. 1 is a top, front and right-side perspective view;

FIG. 2 is a front elevational view thereof;

FIG. 3 is a rear elevational view thereof;

FIG. 4 is a left-side elevational view thereof;

FIG. 5 is a right-side elevational view thereof;

FIG. 6 is a top plan view thereof; and,

FIG. 7 is a bottom plan view thereof.

1 Claim, 4 Drawing Sheets

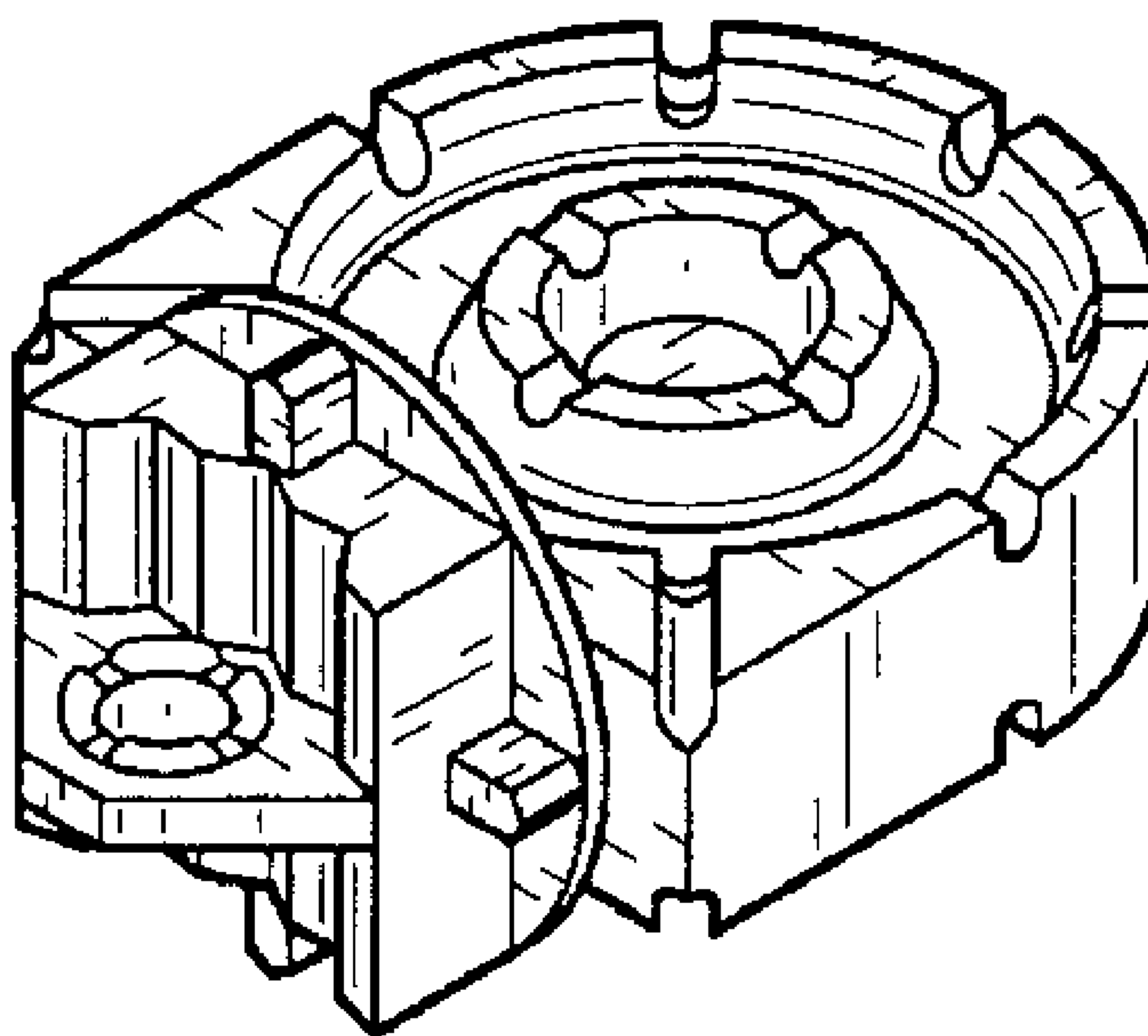


FIG. 1

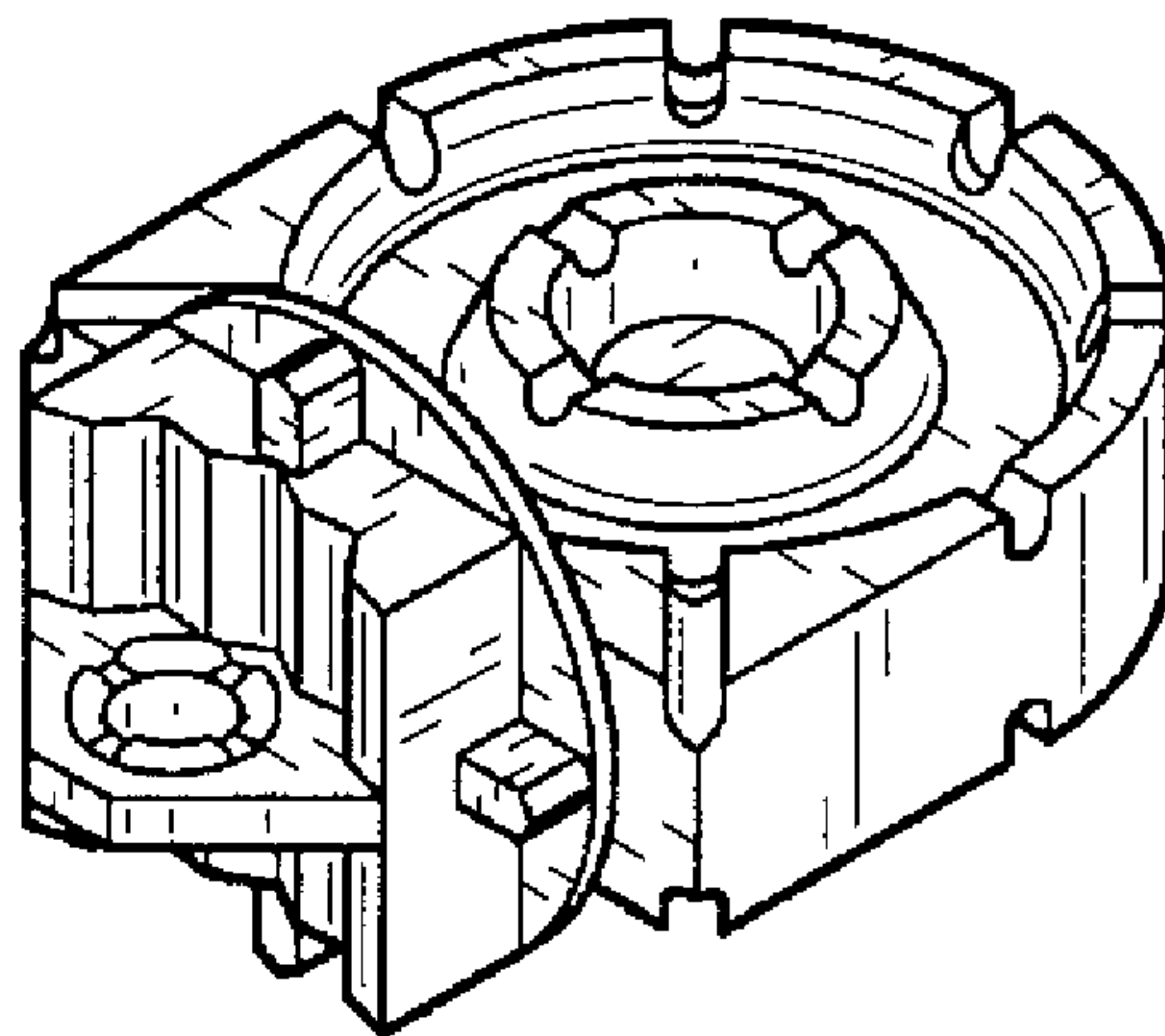


FIG. 2

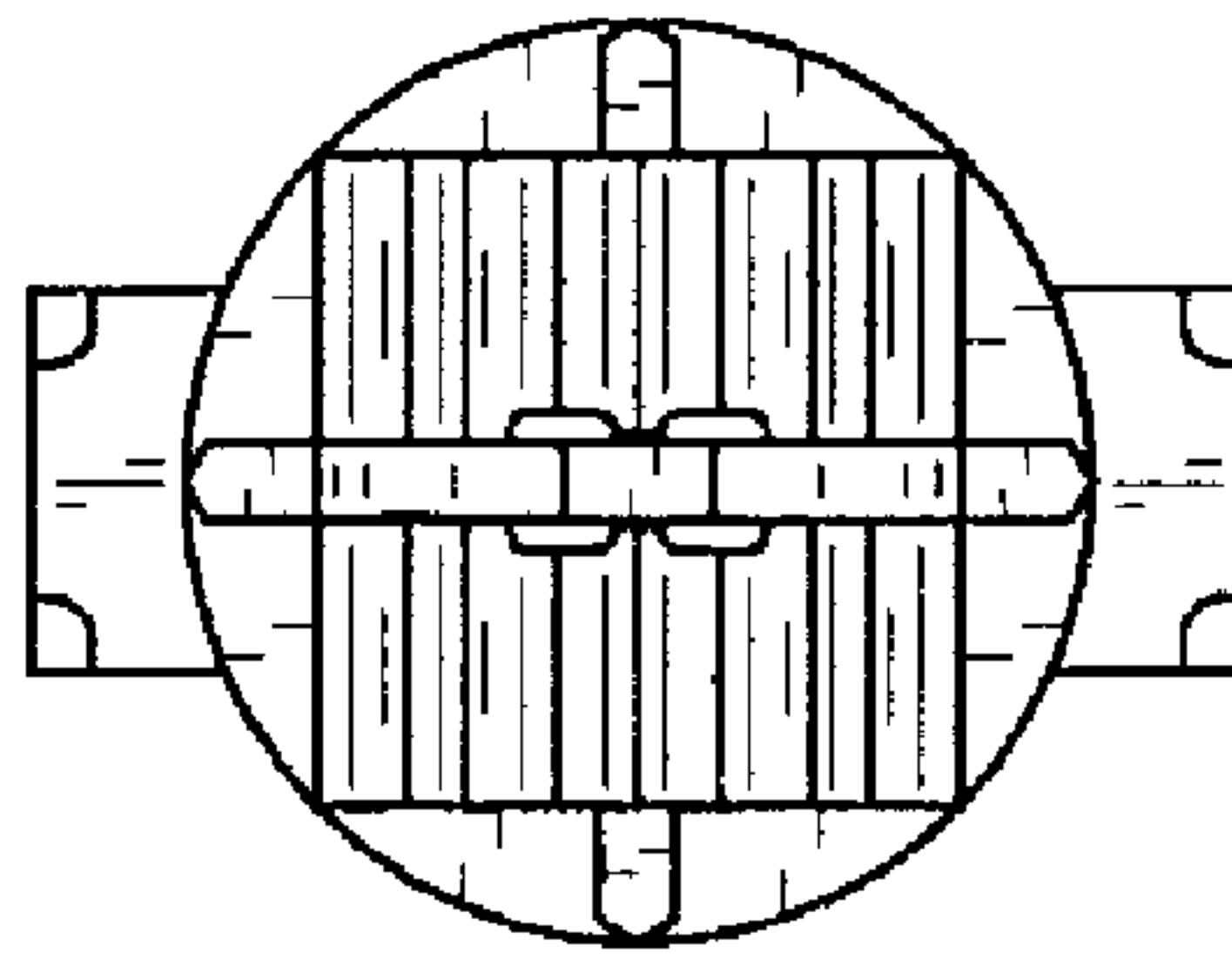


FIG. 3

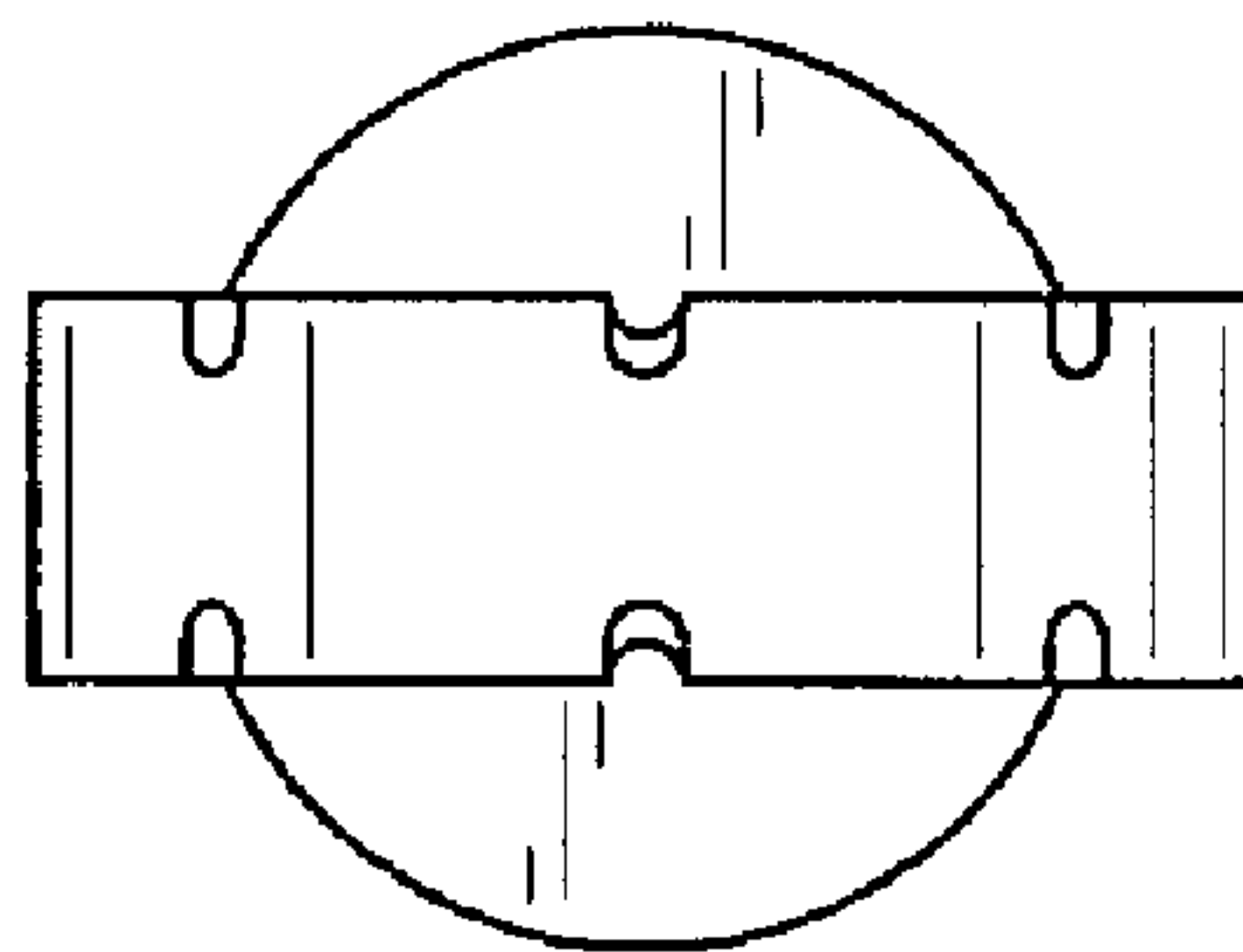


FIG. 4

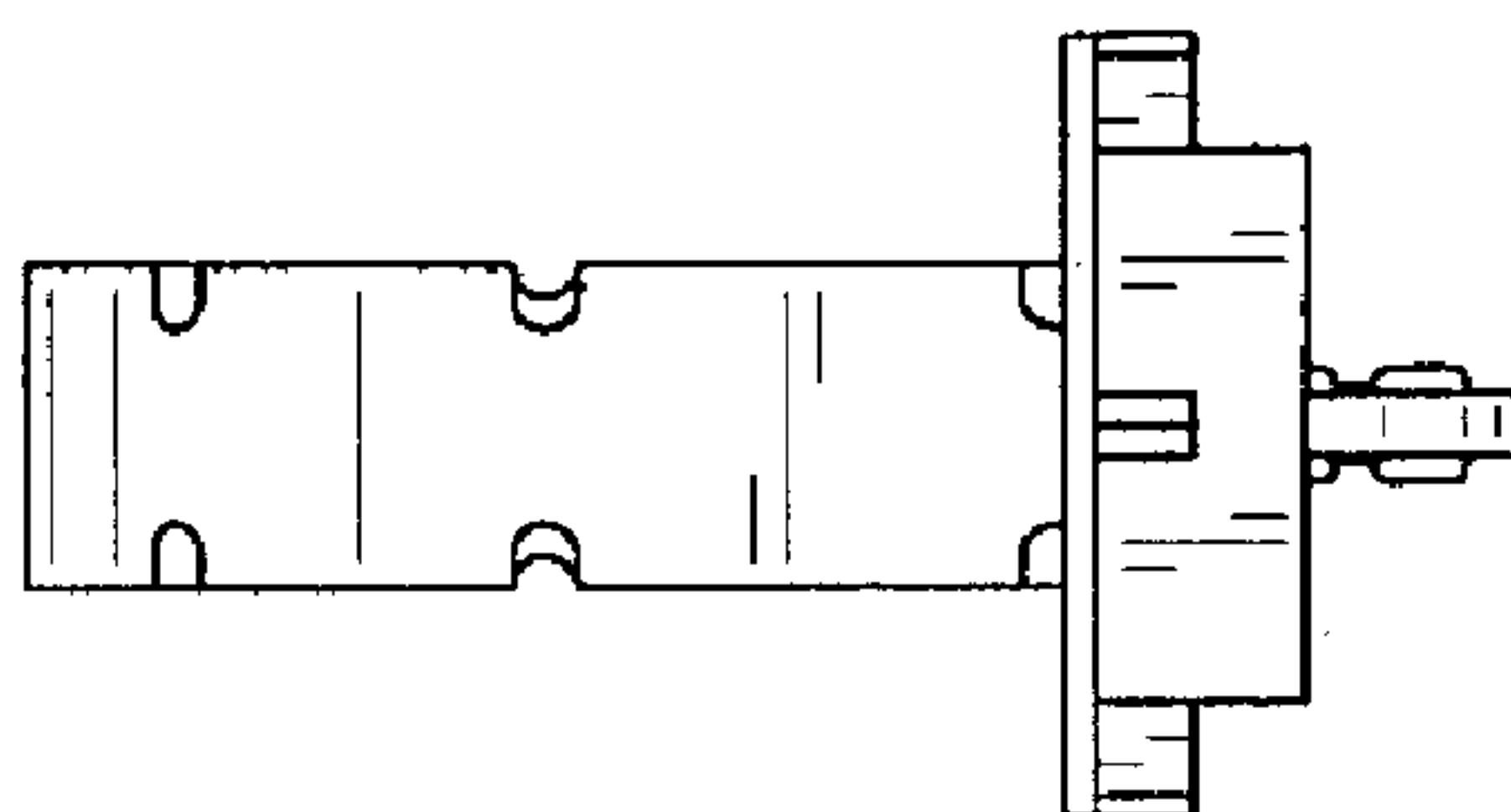


FIG. 5

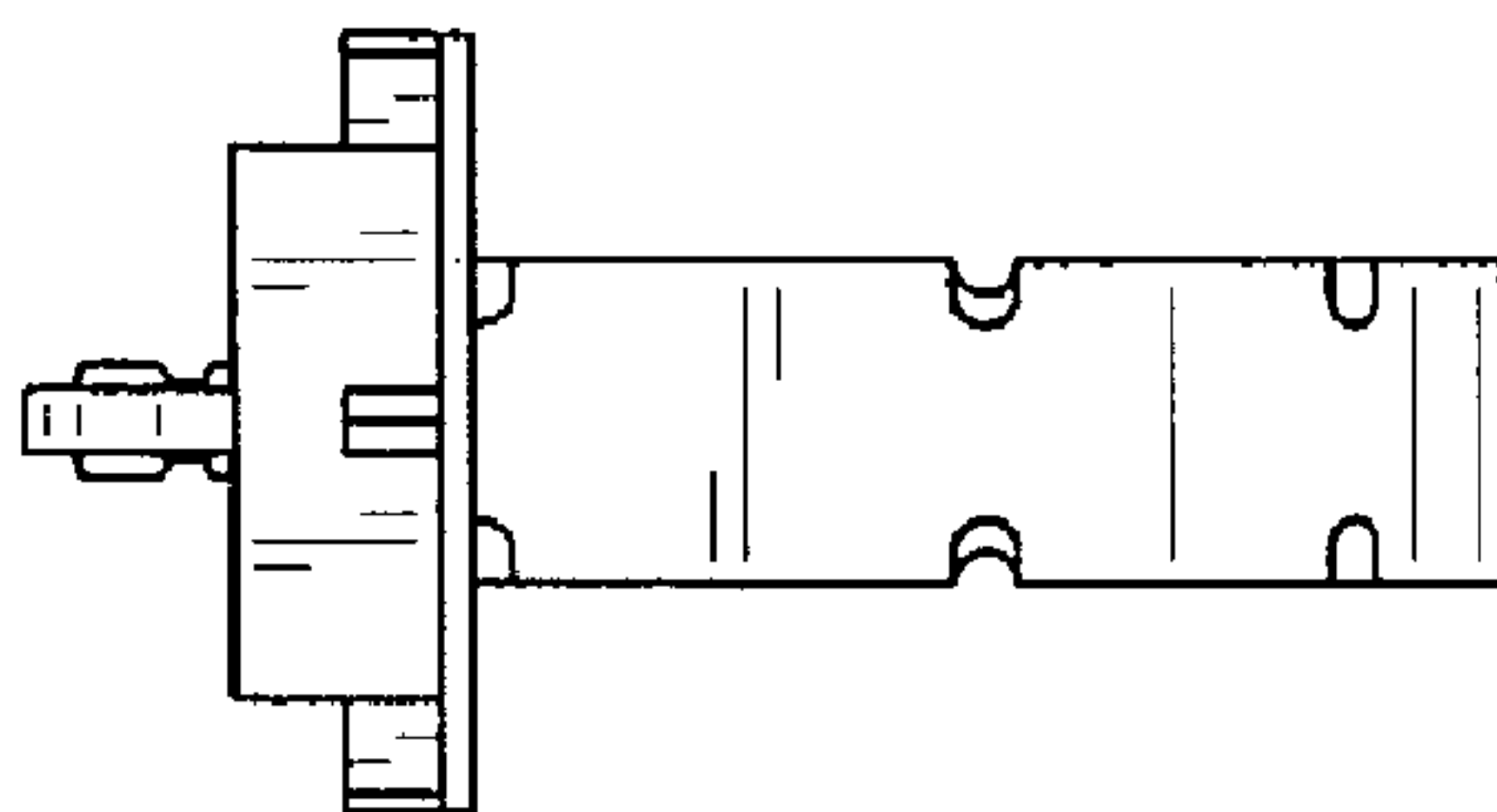


FIG. 6

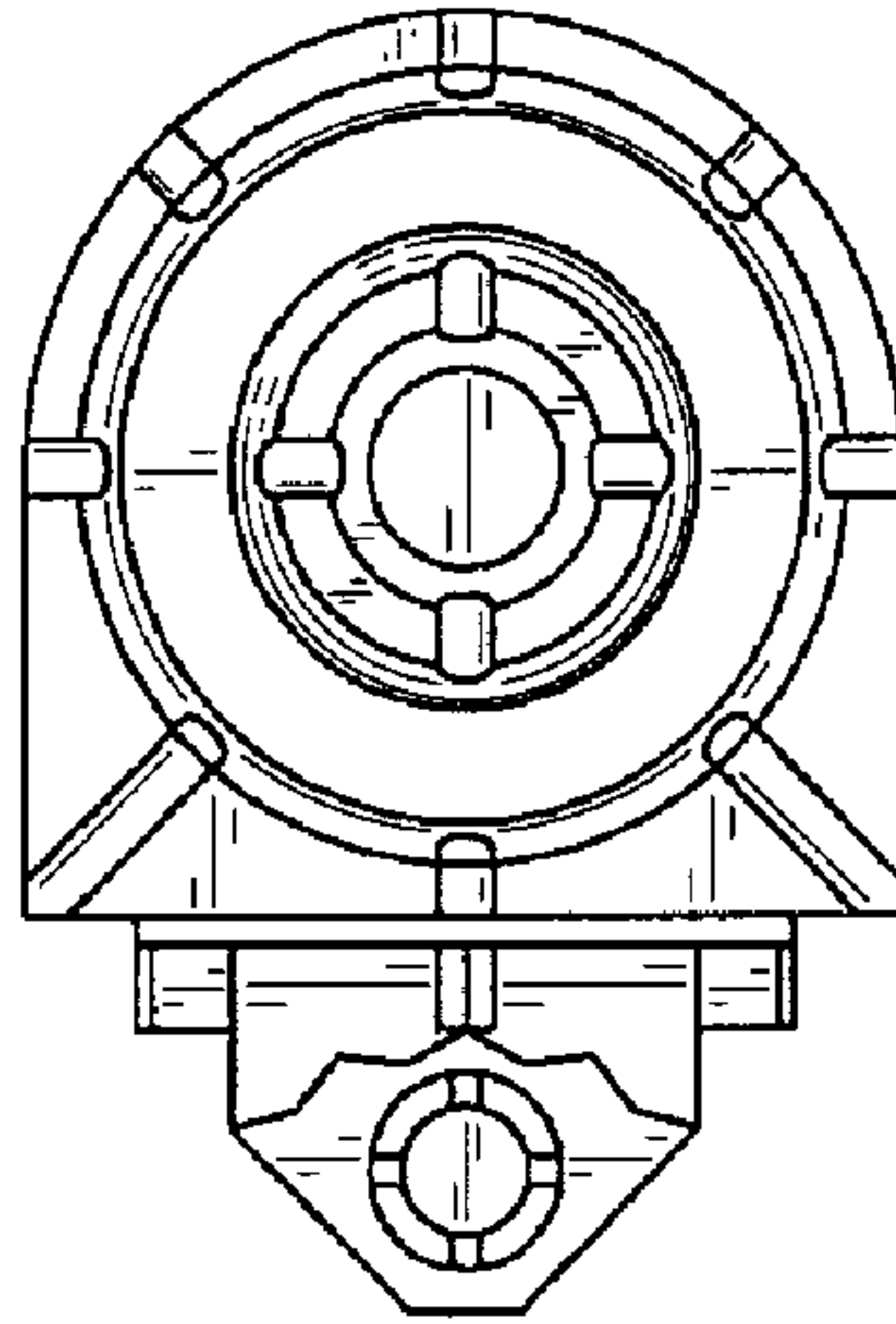


FIG. 7

